



US00D805563S

(12) **United States Design Patent** (10) **Patent No.:** **US D805,563 S**  
**Larsson et al.** (45) **Date of Patent:** **\*\* Dec. 19, 2017**

(54) **CRUSHER**

(56) **References Cited**

(71) Applicant: **SANDVIK INTELLECTUAL PROPERTY AB**, Sandviken (SE)

U.S. PATENT DOCUMENTS

(72) Inventors: **Mikael Larsson**, Sandviken (SE);  
**Anders Hallberg**, Sandviken (SE)

D713,431 S *	9/2014	Malmqvist	.....	D15/123
D716,853 S *	11/2014	Malmqvist	.....	D15/123
D716,854 S *	11/2014	Bergman	.....	D15/123
D719,195 S *	12/2014	Ljunggren	.....	D15/123
D722,626 S *	2/2015	Atzlinger	.....	D15/123
D729,855 S *	5/2015	Johansson	.....	D15/123
D730,415 S *	5/2015	Malmqvist	.....	D15/123
D733,766 S *	7/2015	Sjoback	.....	D15/28
D734,375 S *	7/2015	Johansson	.....	D15/123
D735,247 S *	7/2015	Malmqvist	.....	D15/28
D737,348 S *	8/2015	Johansson	.....	D15/123
D737,349 S *	8/2015	Johansson	.....	D15/123
D745,572 S *	12/2015	Bergman	.....	D15/28
D745,582 S *	12/2015	Malmqvist	.....	D15/123
D757,829 S *	5/2016	Dallimore	.....	D15/123
D781,935 S *	3/2017	Larsson	.....	D15/123

(73) Assignee: **SANDVIK INTELLECTUAL PROPERTY AB**, Sandviken (SE)

(\*\*) Term: **15 Years**

(21) Appl. No.: **29/592,709**

(22) Filed: **Feb. 1, 2017**

**Related U.S. Application Data**

(62) Division of application No. 29/524,651, filed on Apr. 22, 2015, now Pat. No. Des. 781,935.

\* cited by examiner

*Primary Examiner* — Patricia A Palasik

(30) **Foreign Application Priority Data**

(74) *Attorney, Agent, or Firm* — Corinne R. Gorski

Oct. 23, 2014 (EM) .....	001423602-0001
Oct. 23, 2014 (EM) .....	001423602-0002
Oct. 23, 2014 (EM) .....	001423602-0003

(57) **CLAIM**

The ornamental design for a crusher, as shown and described.

(51) **LOC (10) Cl.** ..... **15-09**

**DESCRIPTION**

(52) **U.S. Cl.**

USPC ..... **D15/123**

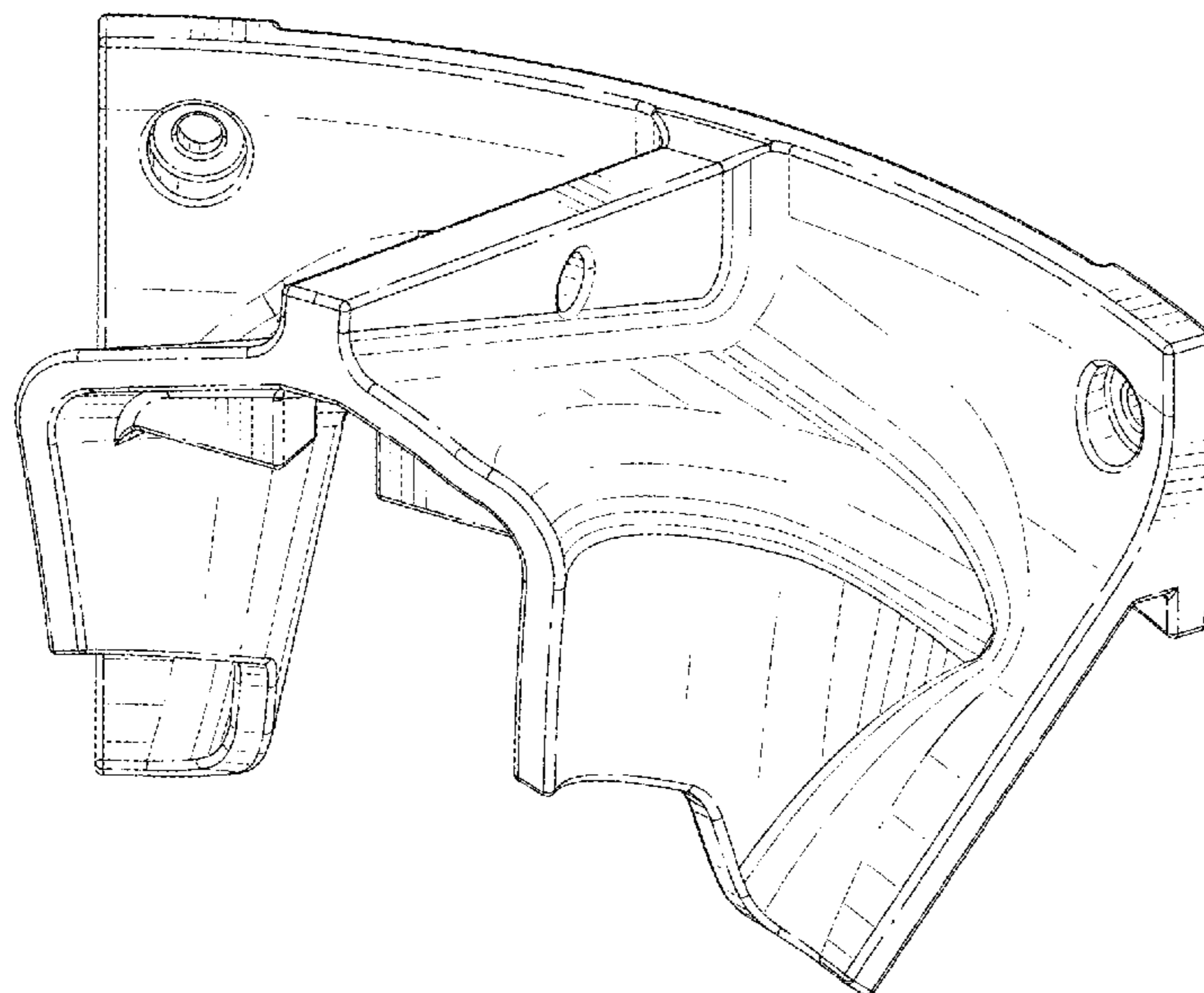
(58) **Field of Classification Search**

USPC ..... D15/122, 123, 138  
CPC ..... B02C 2/04; B02C 13/00; B02C 13/282;  
B02C 13/1828; B02C 13/2804; B02C  
18/14; B02C 18/142; B02C 18/145; B02C  
18/147; B02C 18/2233; B02C 19/22;  
B30B 9/321; B30B 9/3039; Y10S  
100/902

FIG. 1 is a top, front perspective view of a crusher of the present invention;  
FIG. 2 is a top, back perspective view thereof  
FIG. 3 is a front view thereof;  
FIG. 4 is a back view thereof;  
FIG. 5 is a side view thereof;  
FIG. 6 is a top view thereof; and,  
FIG. 7 is a bottom view thereof.

See application file for complete search history.

**1 Claim, 7 Drawing Sheets**



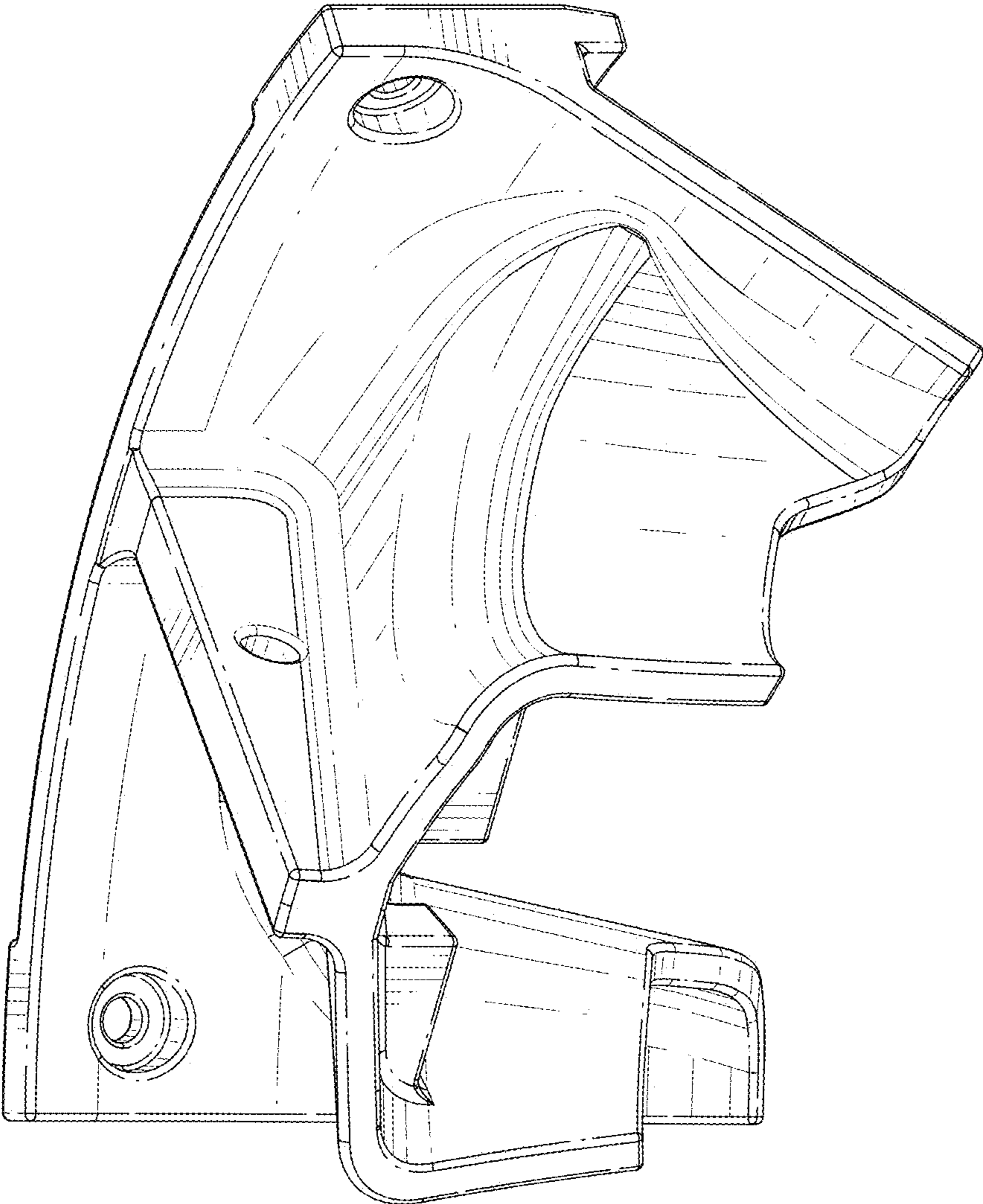


FIG. 1

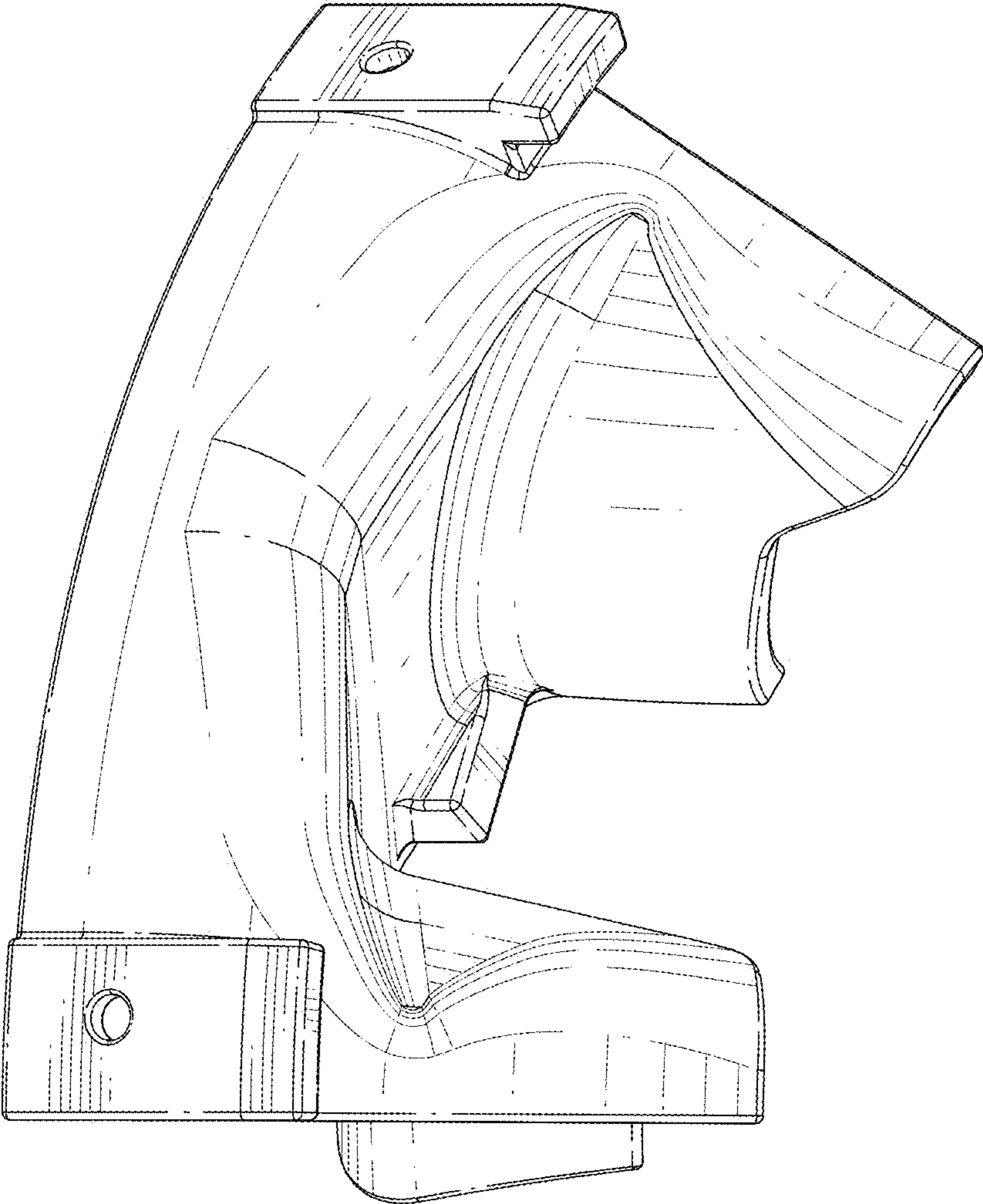


FIG. 2

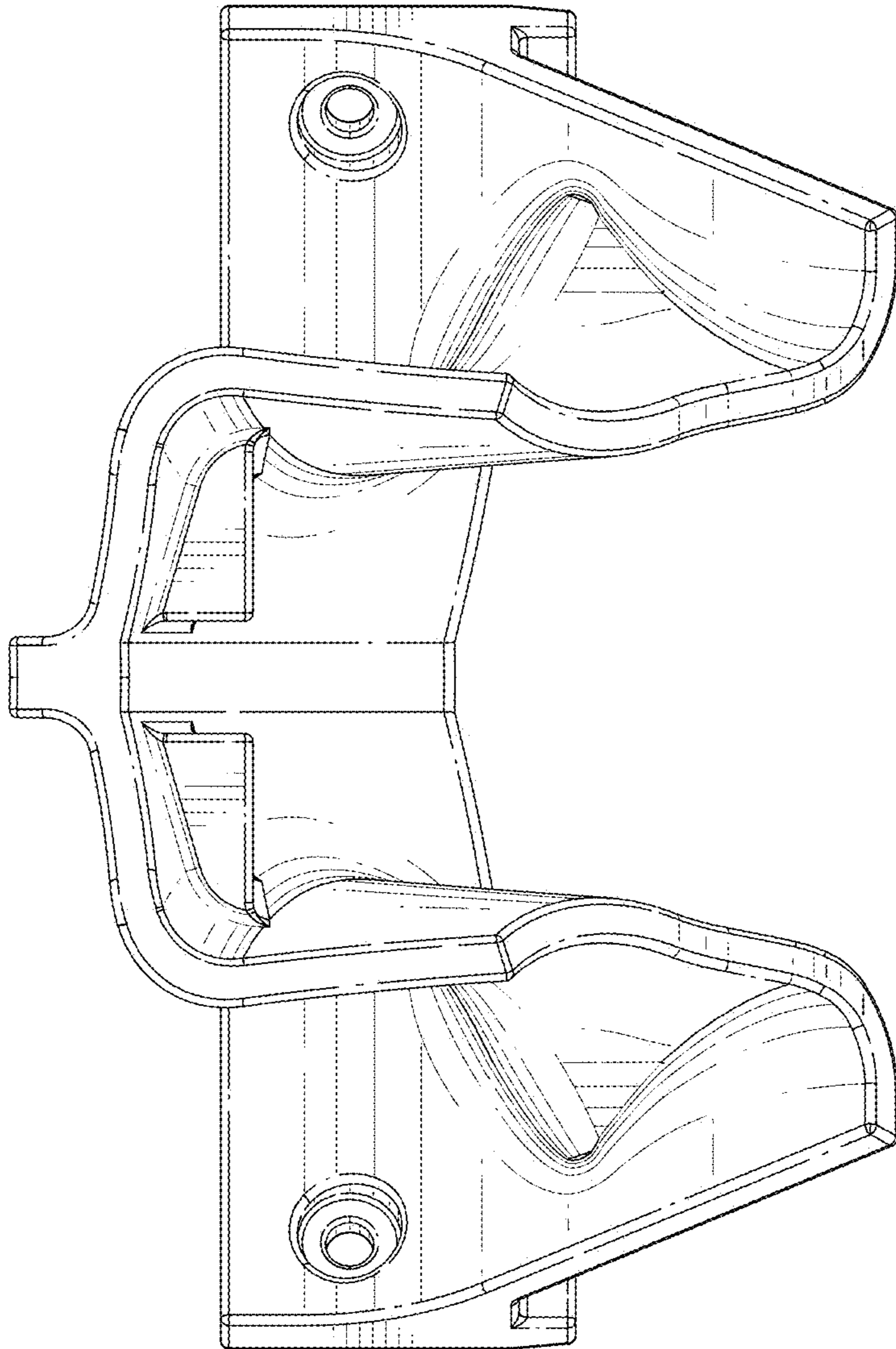


FIG. 3

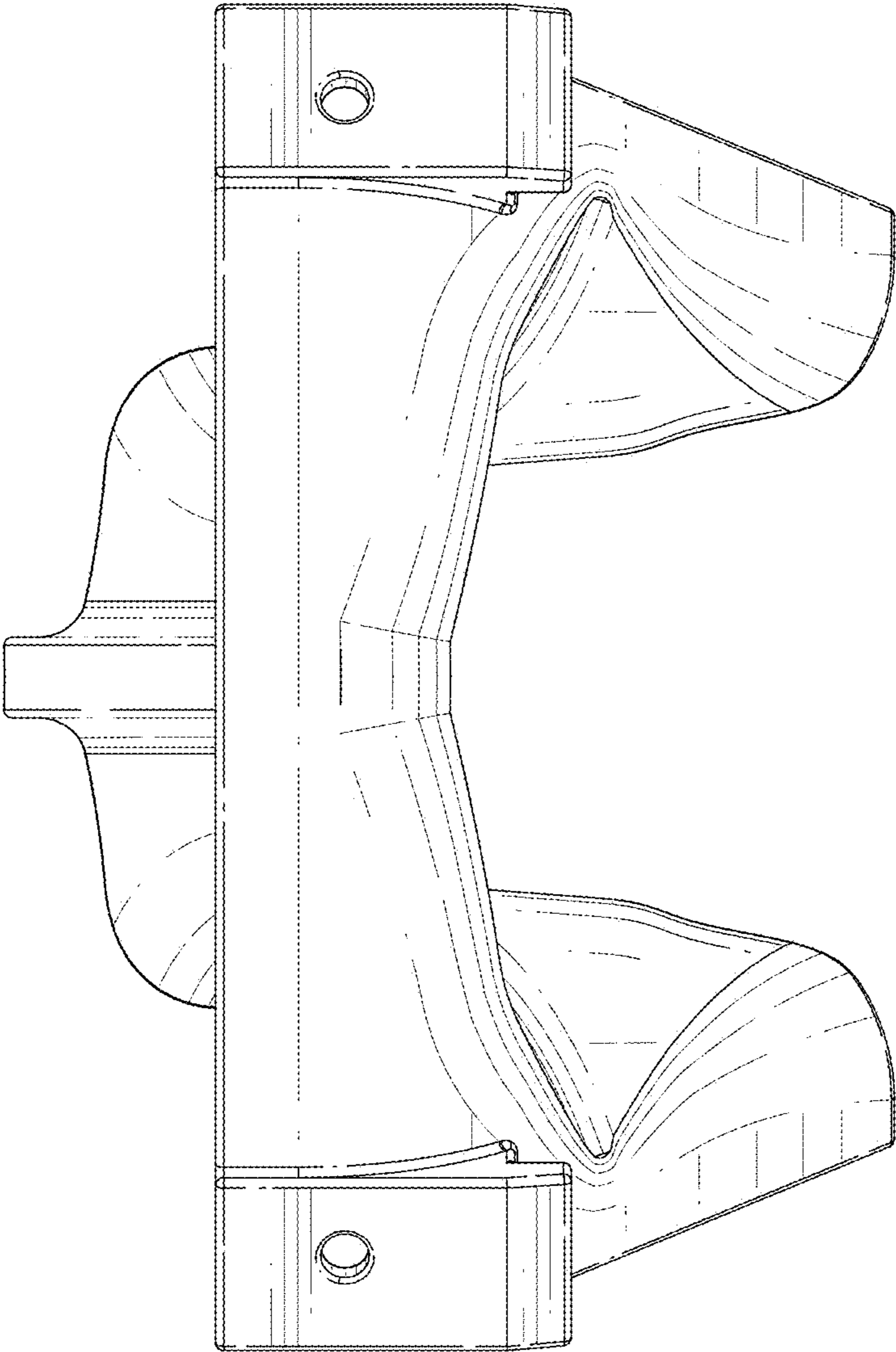


FIG. 4

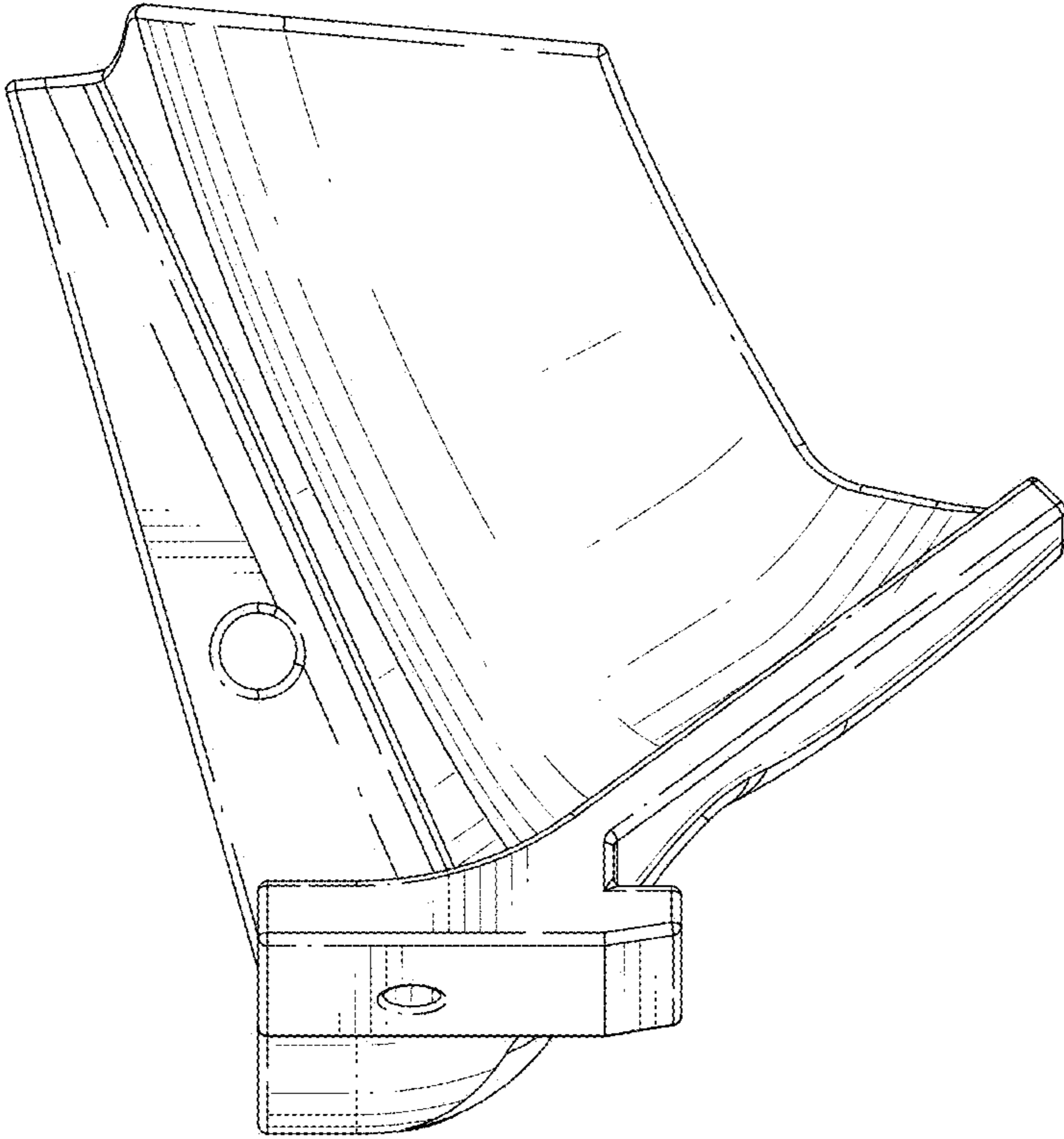


FIG. 5

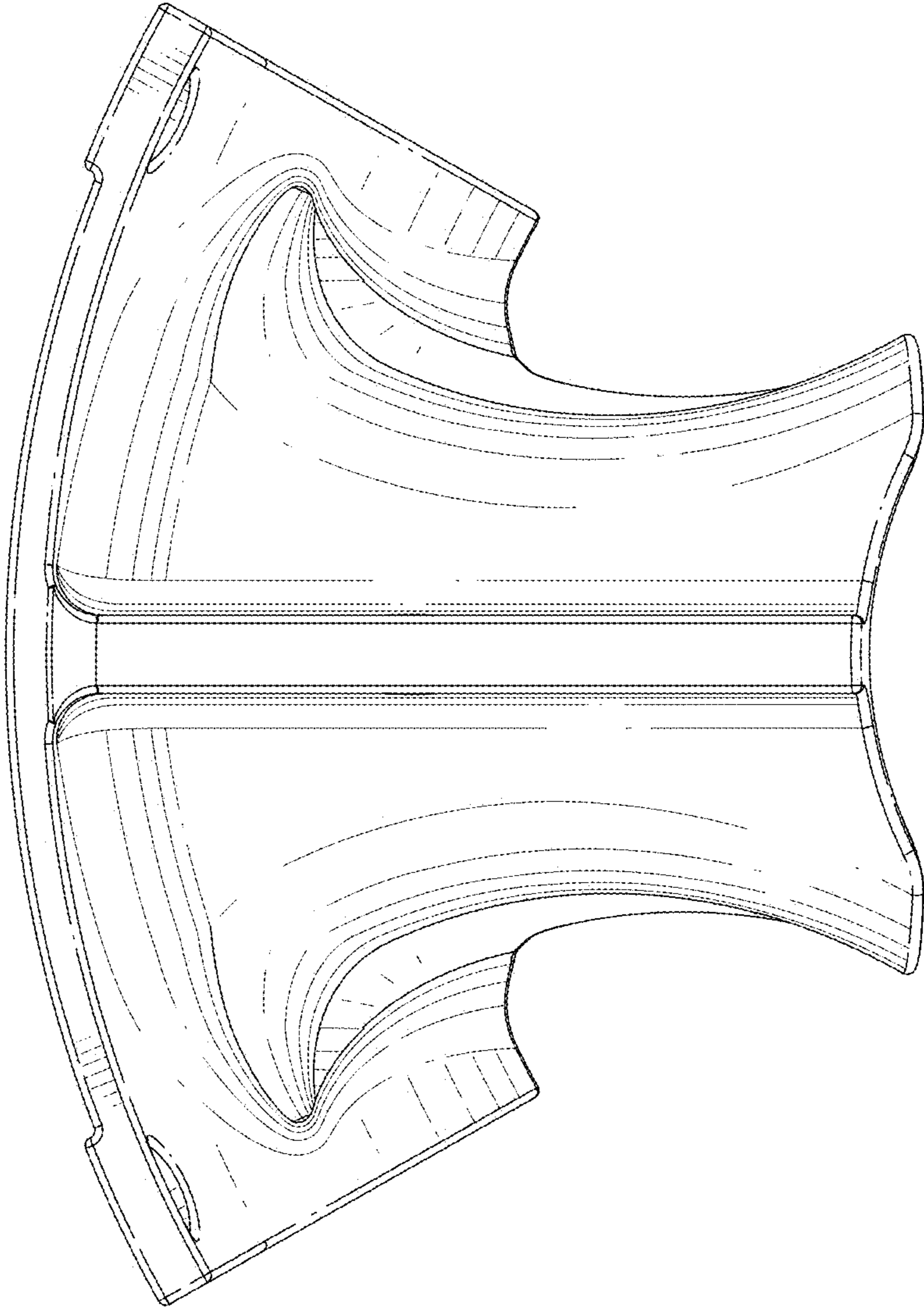


FIG. 6

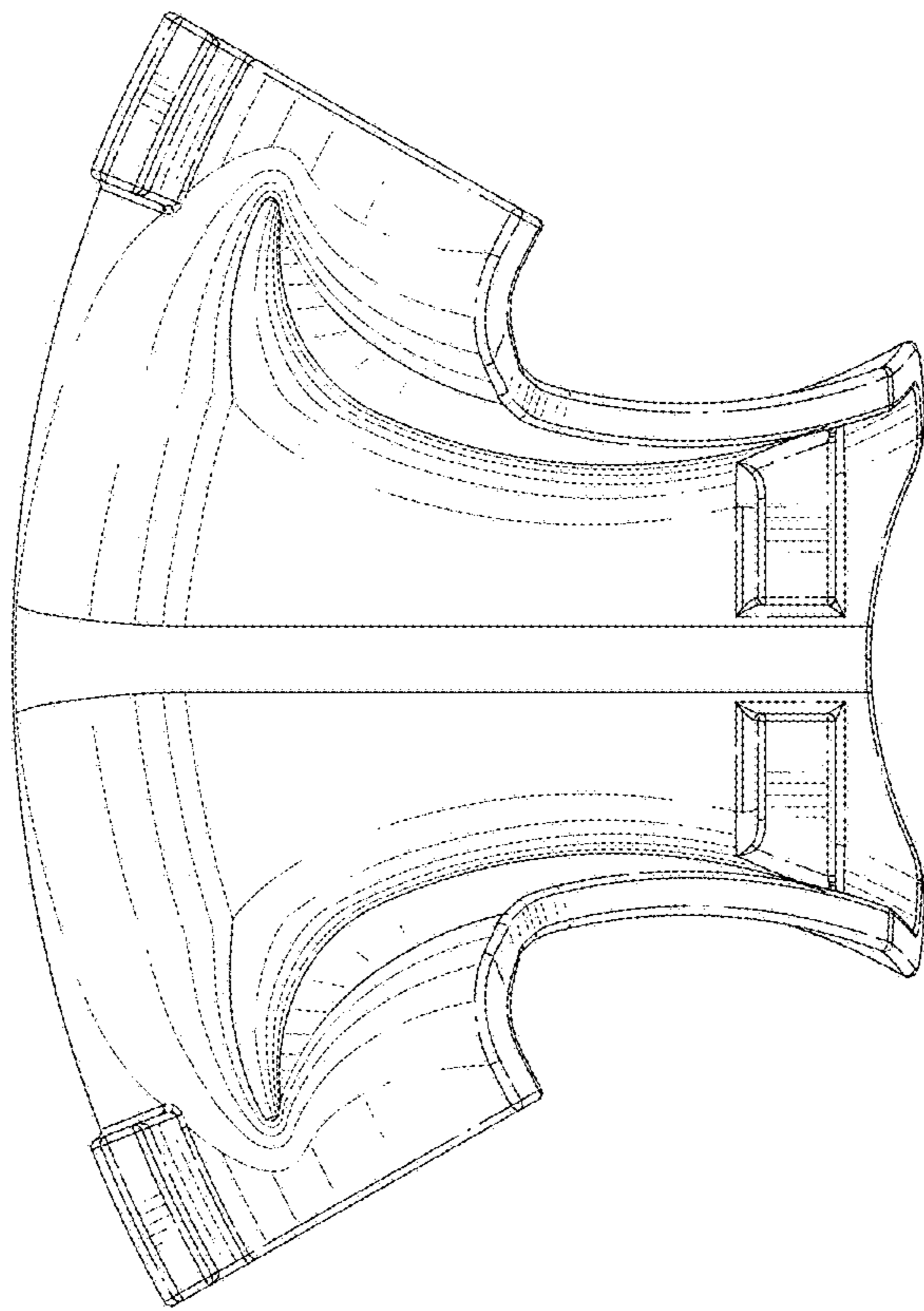


FIG. 7