



US00D805561S

(12) **United States Design Patent** (10) **Patent No.:** **US D805,561 S**
Kastning et al. (45) **Date of Patent:** **** Dec. 19, 2017**

(54) **HARVESTING TOOL**

(71) Applicants: **Steven Ray Kastning**, Lumsden (CA);
Chrisa Dawn MC-Dougall-Kastning,
Lumsden (CA)

(72) Inventors: **Steven Ray Kastning**, Lumsden (CA);
Chrisa Dawn MC-Dougall-Kastning,
Lumsden (CA)

(**) Term: **15 Years**

(21) Appl. No.: **29/571,538**

(22) Filed: **Jul. 19, 2016**

(51) **LOC (10) Cl.** **15-03**

(52) **U.S. Cl.**
USPC **D15/28**

(58) **Field of Classification Search**
USPC D15/28, 29, 21, 11, 16, 17; 56/364, 16.1,
56/220, 400
CPC .. A01D 89/006; A01D 89/001; A01D 89/002;
A01D 89/00; A01D 57/14; A01D 57/02;
A01D 80/02; A01D 41/06
See application file for complete search history.

(56) **References Cited**

U.S. PATENT DOCUMENTS

D243,207 S * 1/1977 Van der Lely D15/29
D245,910 S * 9/1977 Van Der Lely 172/713
D246,457 S * 11/1977 Van Der Lely D15/29
D246,716 S * 12/1977 Van Der Lely D15/29
D250,714 S * 1/1979 Van Der Lely D15/29
4,901,511 A * 2/1990 Yarmashev A01D 57/02
56/220
6,397,573 B2 * 6/2002 Majkrzak A01D 57/02
56/220
D494,194 S * 8/2004 Fitzkee D15/28
D505,431 S * 5/2005 Sund D15/29
7,124,564 B2 10/2006 Glazik
7,650,737 B1 * 1/2010 Lovett A01D 57/02
56/220

7,856,801 B2 * 12/2010 Remillard A01D 57/02
56/220
7,934,365 B2 5/2011 Schumacher
8,091,327 B2 * 1/2012 Batu A01D 61/008
198/613
D753,193 S * 4/2016 Jasper D15/29
9,338,943 B2 * 5/2016 Herringshaw A01D 57/02
2001/0009093 A1 * 7/2001 Majkrzak A01D 57/02
56/220
2005/0091955 A1 5/2005 Glazik et al.
2007/0266692 A1 11/2007 Lolley
2007/0289280 A1 12/2007 Marquardt
2009/0056295 A1 3/2009 Lolley
2014/0318097 A1 10/2014 Herringshaw et al.
2015/0096279 A1 4/2015 Herringshaw et al.

* cited by examiner

Primary Examiner — Mark Goodwin
(74) *Attorney, Agent, or Firm* — QuickPatents, LLC;
Kevin Prince

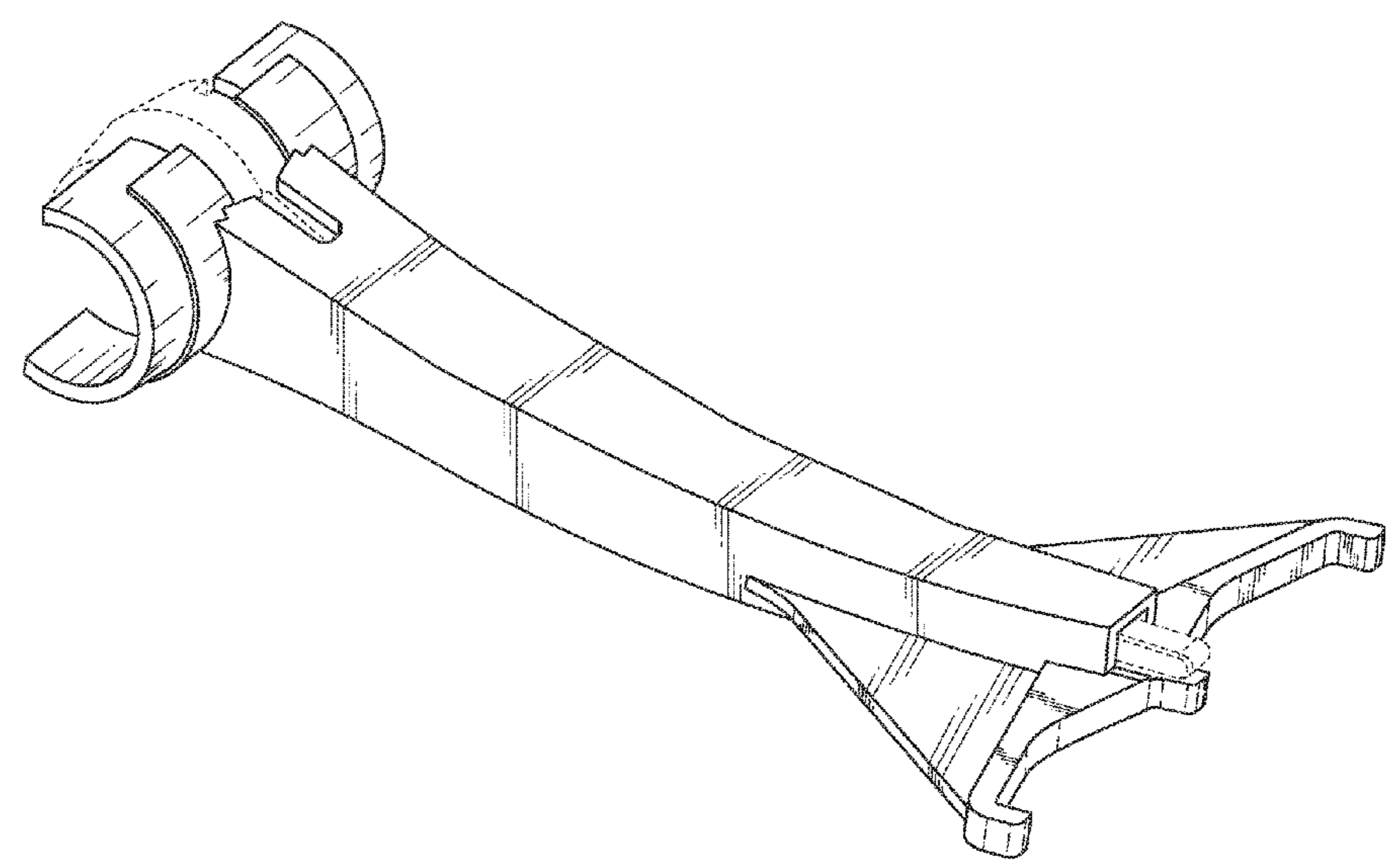
(57) **CLAIM**

We claim the ornamental design for a harvesting tool, as shown and described.

DESCRIPTION

FIG. 1 is a bottom perspective view of a harvesting tool, showing our new design;
FIG. 2 is a top perspective view thereof;
FIG. 3 is a front elevational view thereof;
FIG. 4 is a rear elevational view thereof;
FIG. 5 is a left-side elevational view thereof;
FIG. 6 is a rear elevational view thereof;
FIG. 7 is a top plan view thereof;
FIG. 8 is a bottom plan view thereof; and,
FIG. 9 is a cross-sectional view thereof, taken along line 9-9 of FIG. 3.
The broken lines showing a combine header and finger in FIG. 1 depict environmental matter and form no part of the claimed design.

1 Claim, 5 Drawing Sheets



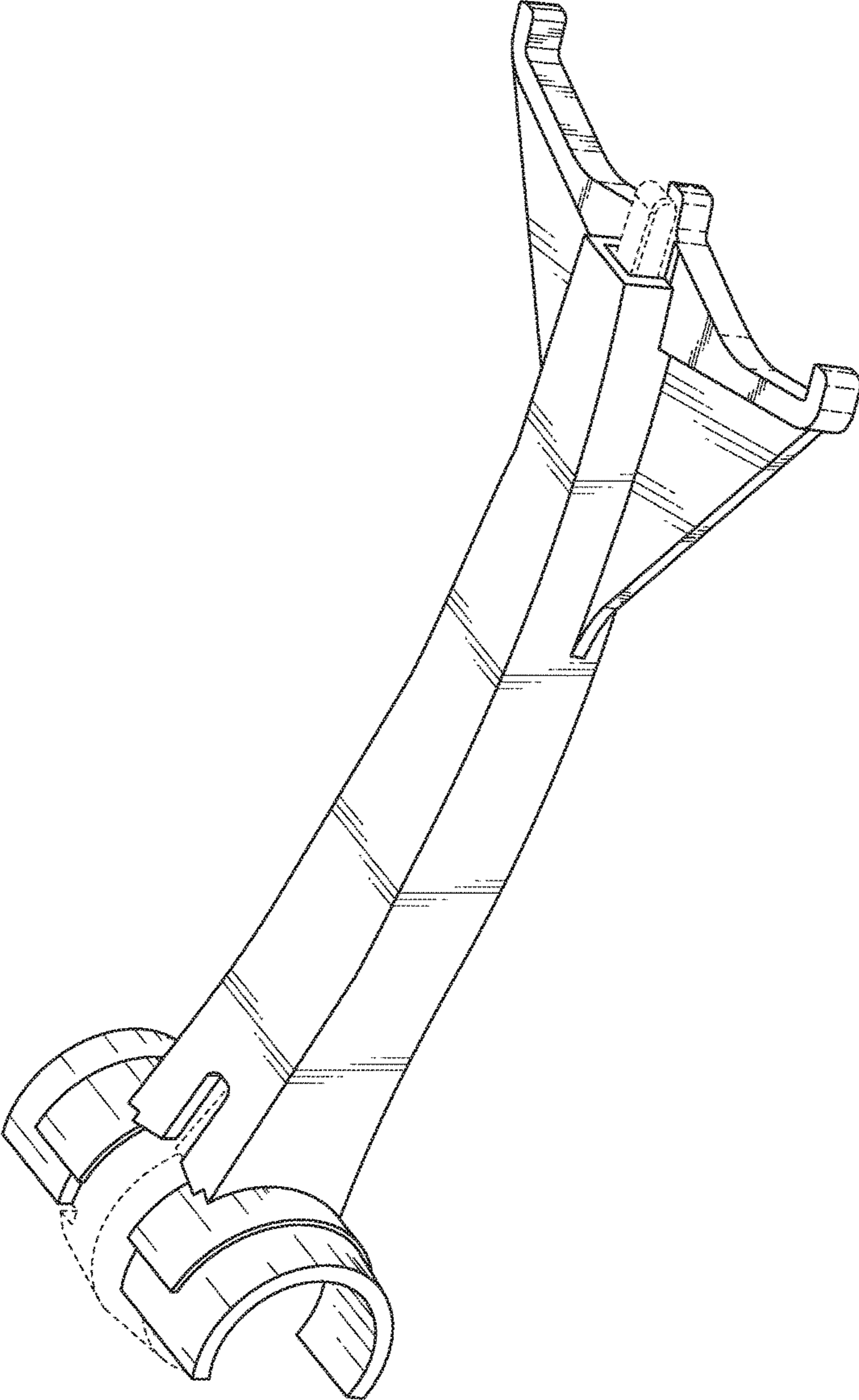


FIG. 1

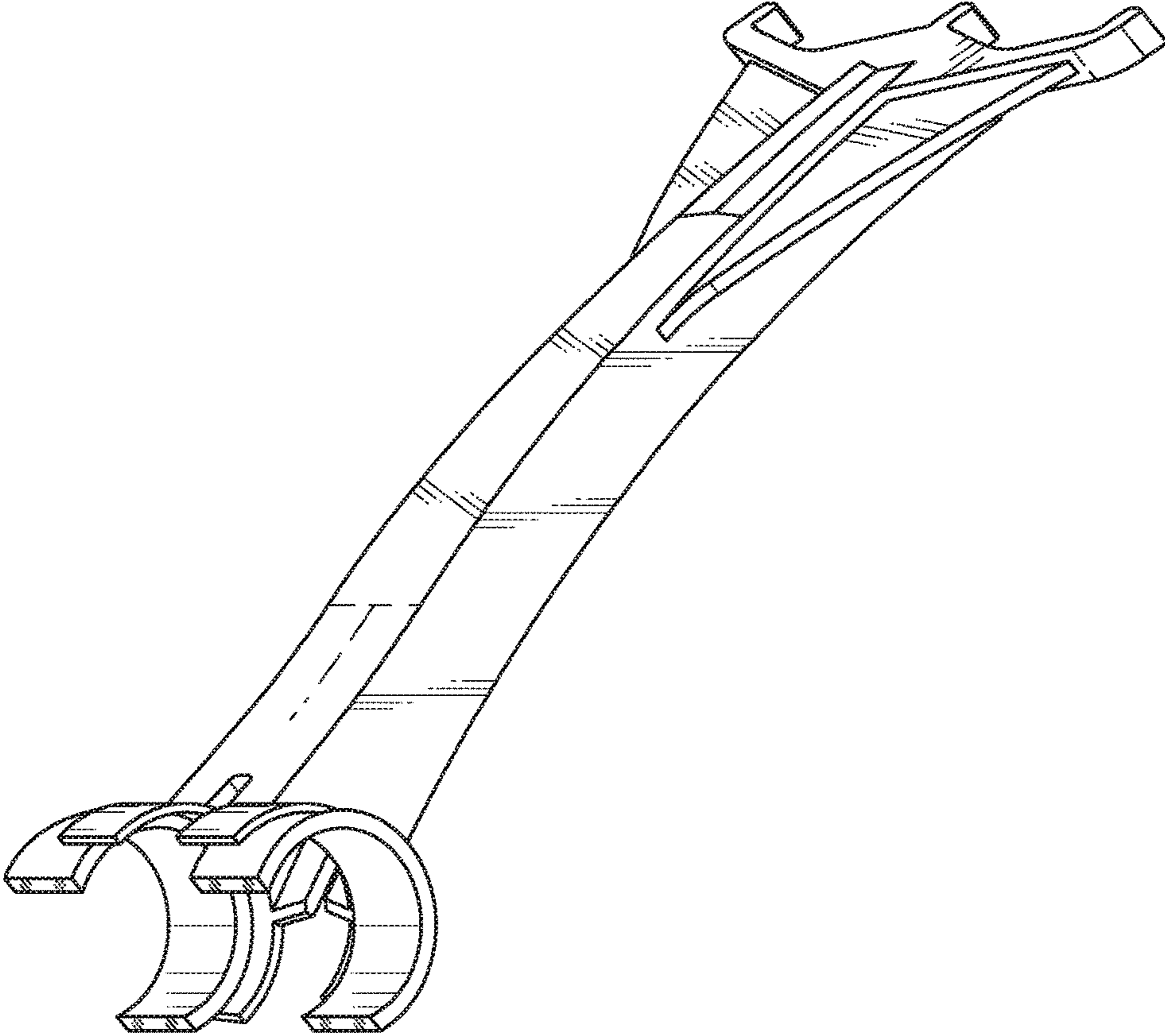


FIG. 2

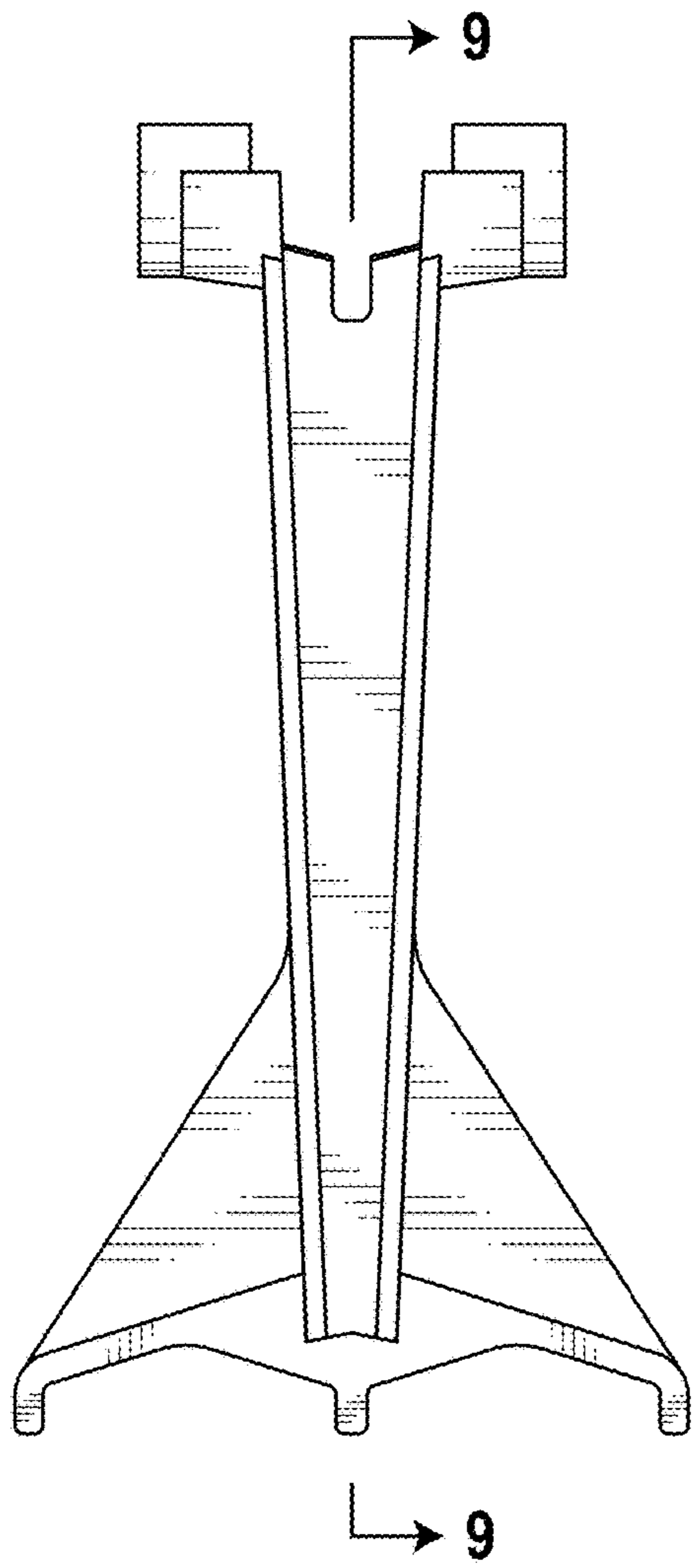


FIG. 3

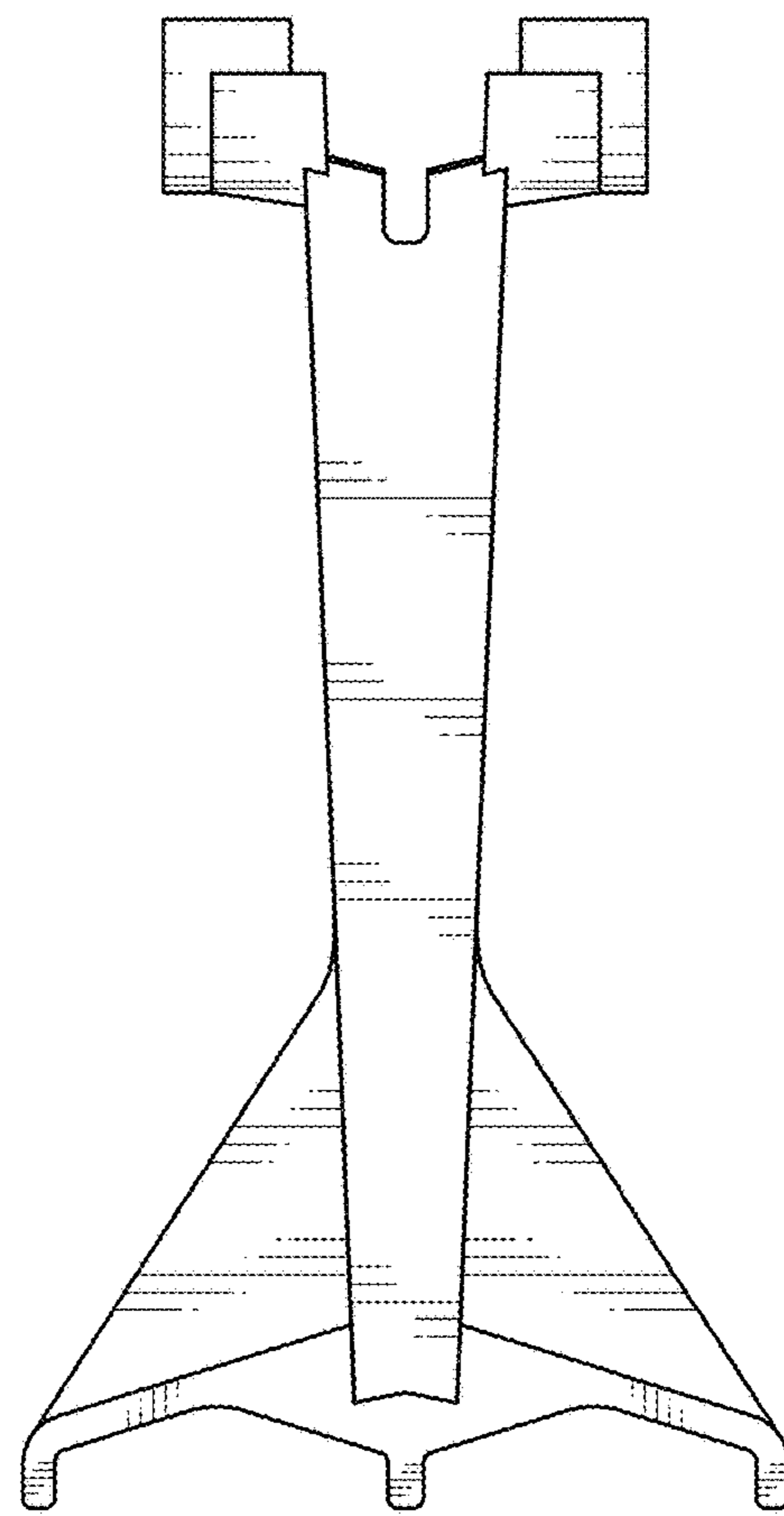


FIG. 4

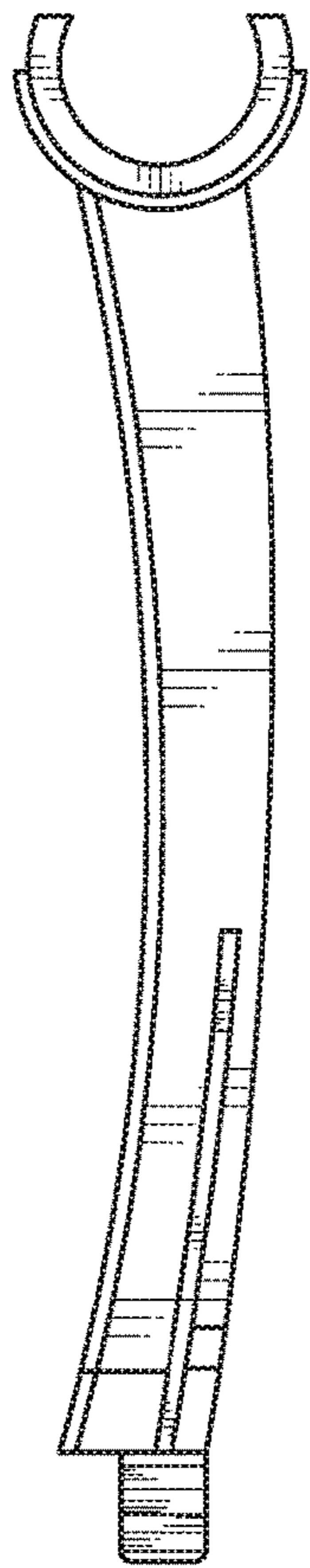


FIG. 5

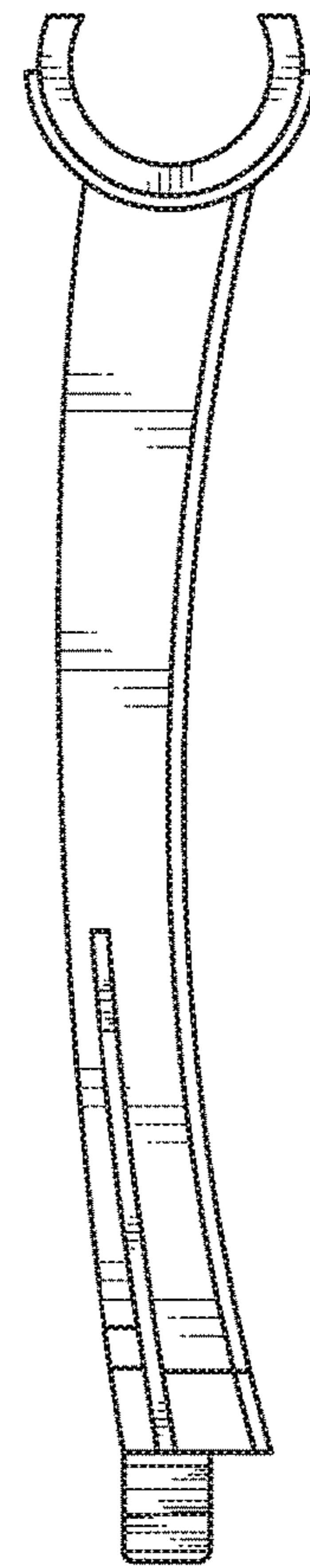


FIG. 6

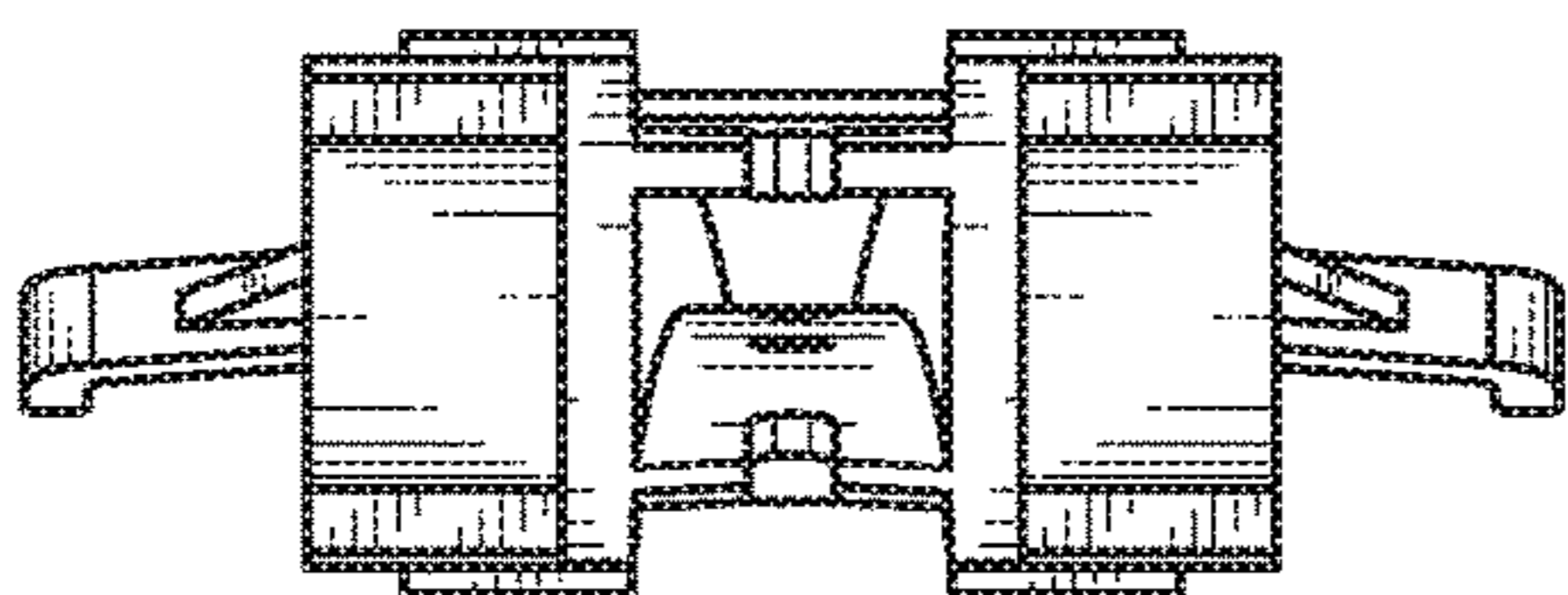


FIG. 7

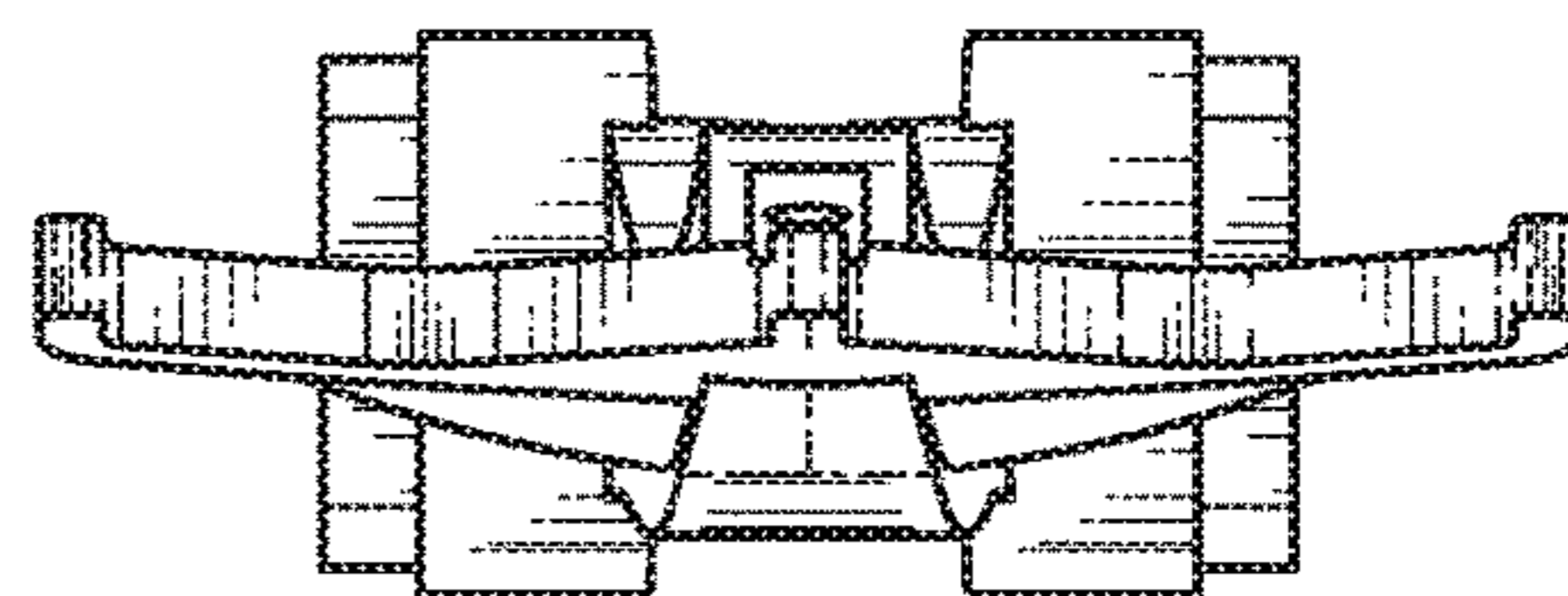


FIG. 8

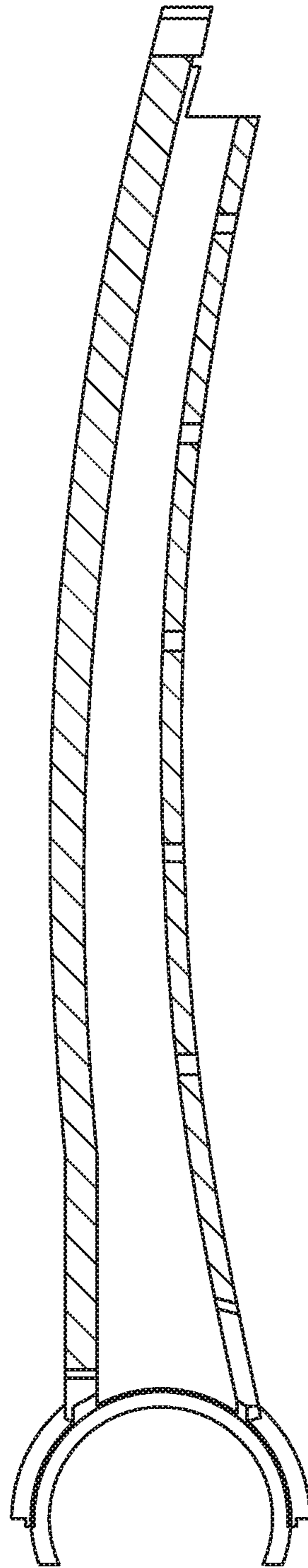


FIG. 9