



US00D805558S

(12) **United States Design Patent**
Agostini

(10) **Patent No.:** **US D805,558 S**

(45) **Date of Patent:** **** Dec. 19, 2017**

(54) **PUMP**

(71) Applicant: **XYLEM IP MANAGEMENT S.A.R.L.**, Senningerberg (LU)

(72) Inventor: **Mauro Agostini**, Vo (IT)

(73) Assignee: **XYLEM IP MANAGEMENT S.A.R.L.**, Senningerberg (LU)

(**) Term: **15 Years**

(21) Appl. No.: **29/568,248**

(22) Filed: **Jun. 16, 2016**

(51) **LOC (10) Cl.** **15-02**

(52) **U.S. Cl.**
USPC **D15/7**

(58) **Field of Classification Search**
USPC D15/7-9; D23/231, 232, 225; 417/60, 417/235, 265, 321, 355, 358, 363, 359, 417/410.1, 415-416, 405, 900, 269, 539; 60/408, 412; 184/26-37; 415/140-147; 123/495, 509; 137/565.34
CPC F02M 37/04; F02M 37/14; F04B 53/92; F04B 1/005
See application file for complete search history.

(56) **References Cited**

U.S. PATENT DOCUMENTS

D633,925 S * 3/2011 Sadachika D15/7
D661,709 S * 6/2012 Ishikawa D15/7

D662,950 S * 7/2012 Lu D15/9
D683,768 S * 6/2013 McCaughey D15/9
D700,626 S * 3/2014 Zhangyan D15/7
D703,241 S * 4/2014 Eckhardt D15/9
D734,367 S * 7/2015 Jhou D15/9
D744,004 S * 11/2015 Sacchetti D15/7
D754,209 S * 4/2016 Chou D15/7
D759,727 S * 6/2016 Jiang D15/9

* cited by examiner

Primary Examiner — Ralf Seifert

(74) *Attorney, Agent, or Firm* — Koppel, Patrick, Heybl & Philpott

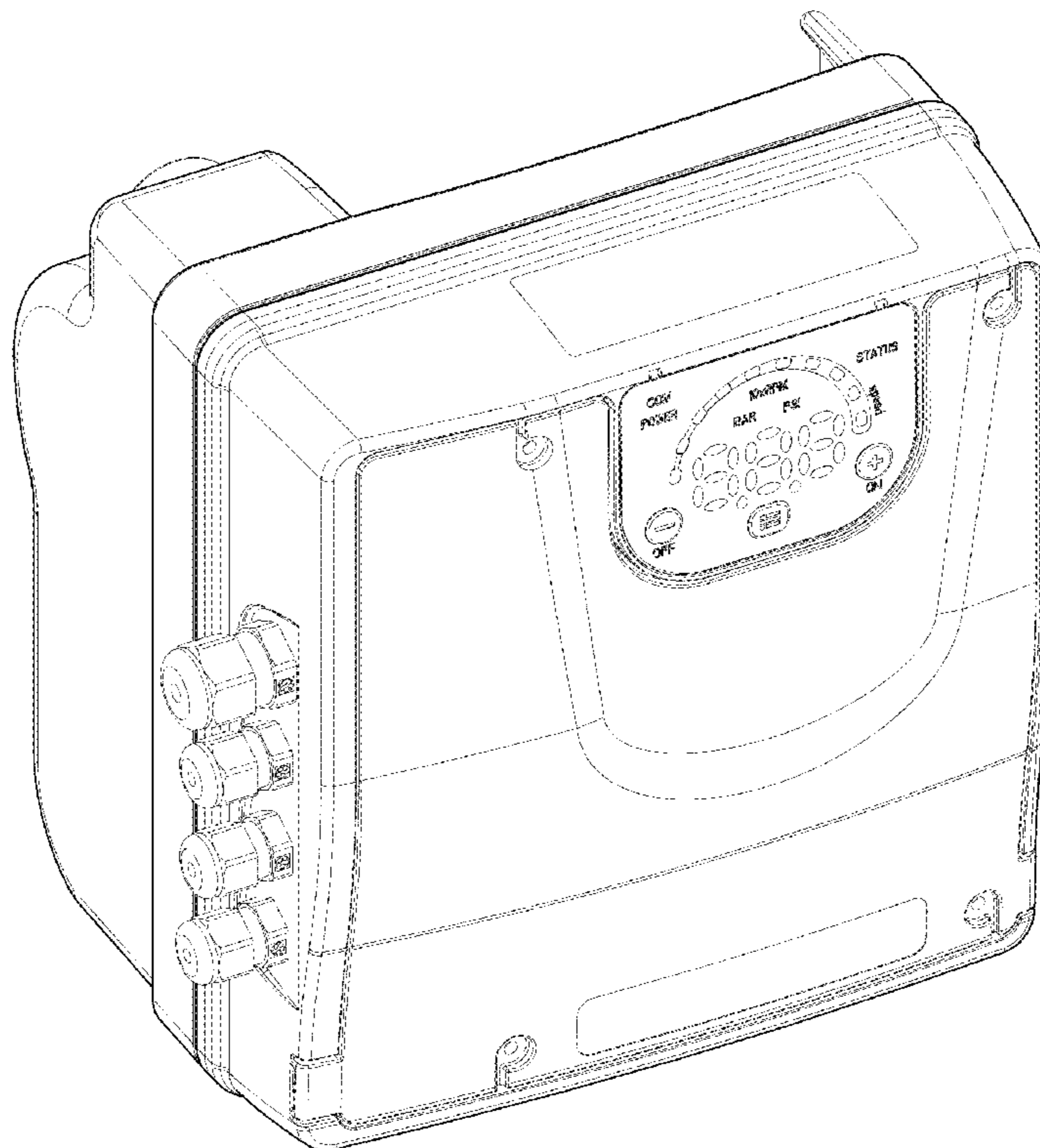
(57) **CLAIM**

The ornamental design for a pump, as shown and described herein.

DESCRIPTION

FIG. 1 is a front perspective view of a pump showing my new design;
FIG. 2 is a front elevational view;
FIG. 3 is a rear elevational view;
FIG. 4 is a left elevational view;
FIG. 5 is a right elevational view;
FIG. 6 is a top plan view; and,
FIG. 7 is a bottom plan view.
The broken lines are included for the purpose of illustrating portions of the pump that form no part of the claimed design.

1 Claim, 7 Drawing Sheets



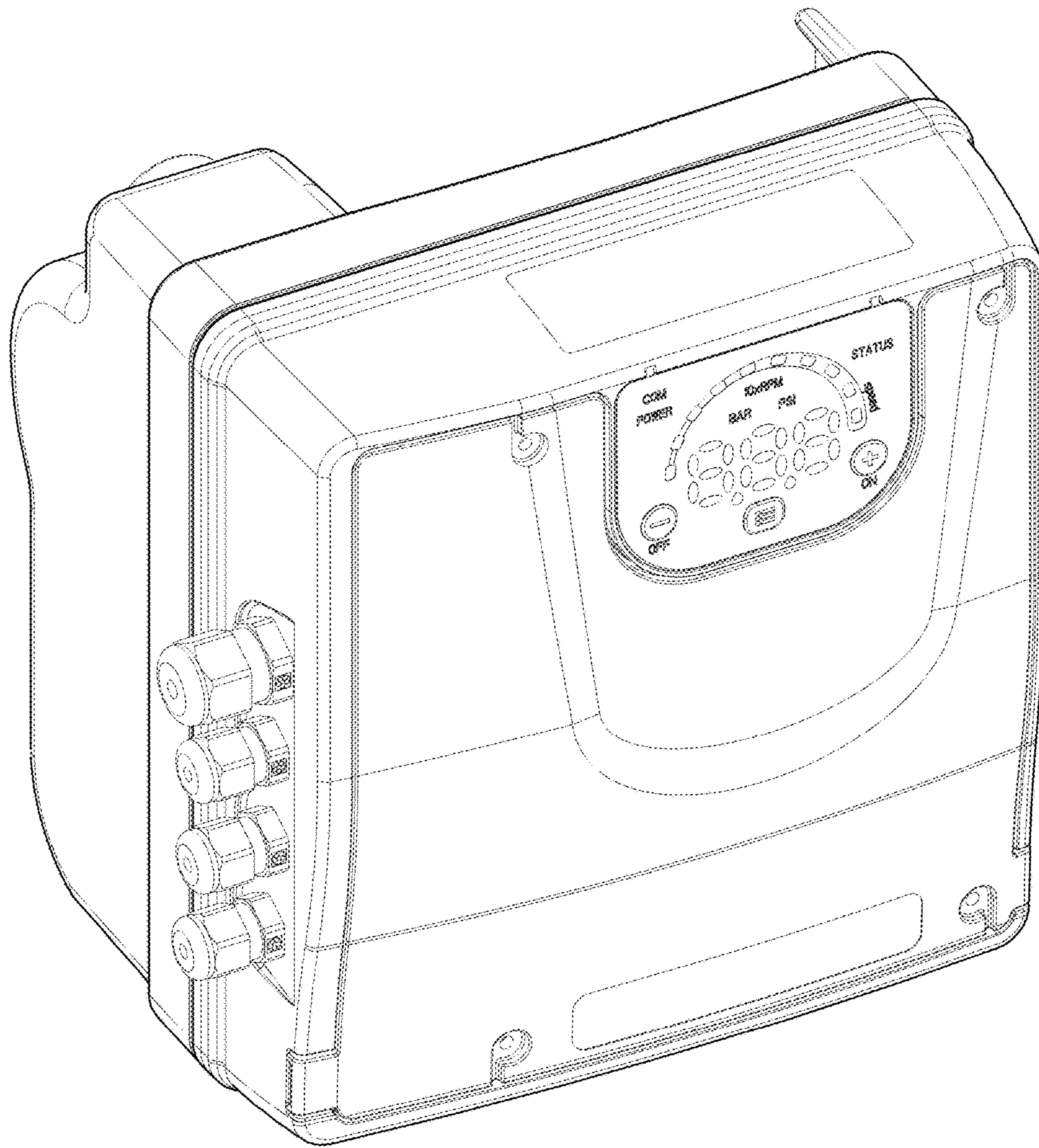


Fig. 1

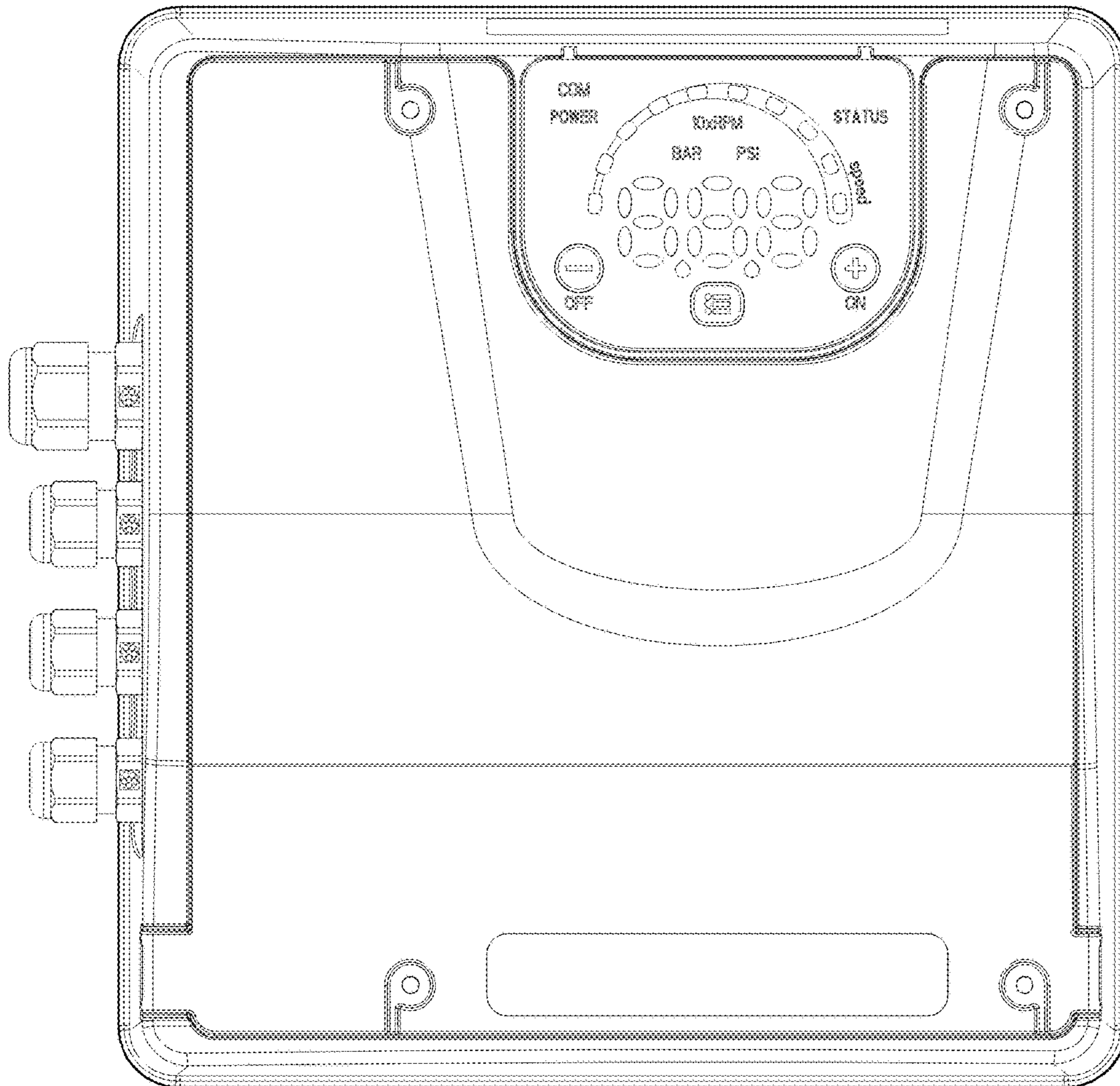


Fig. 2

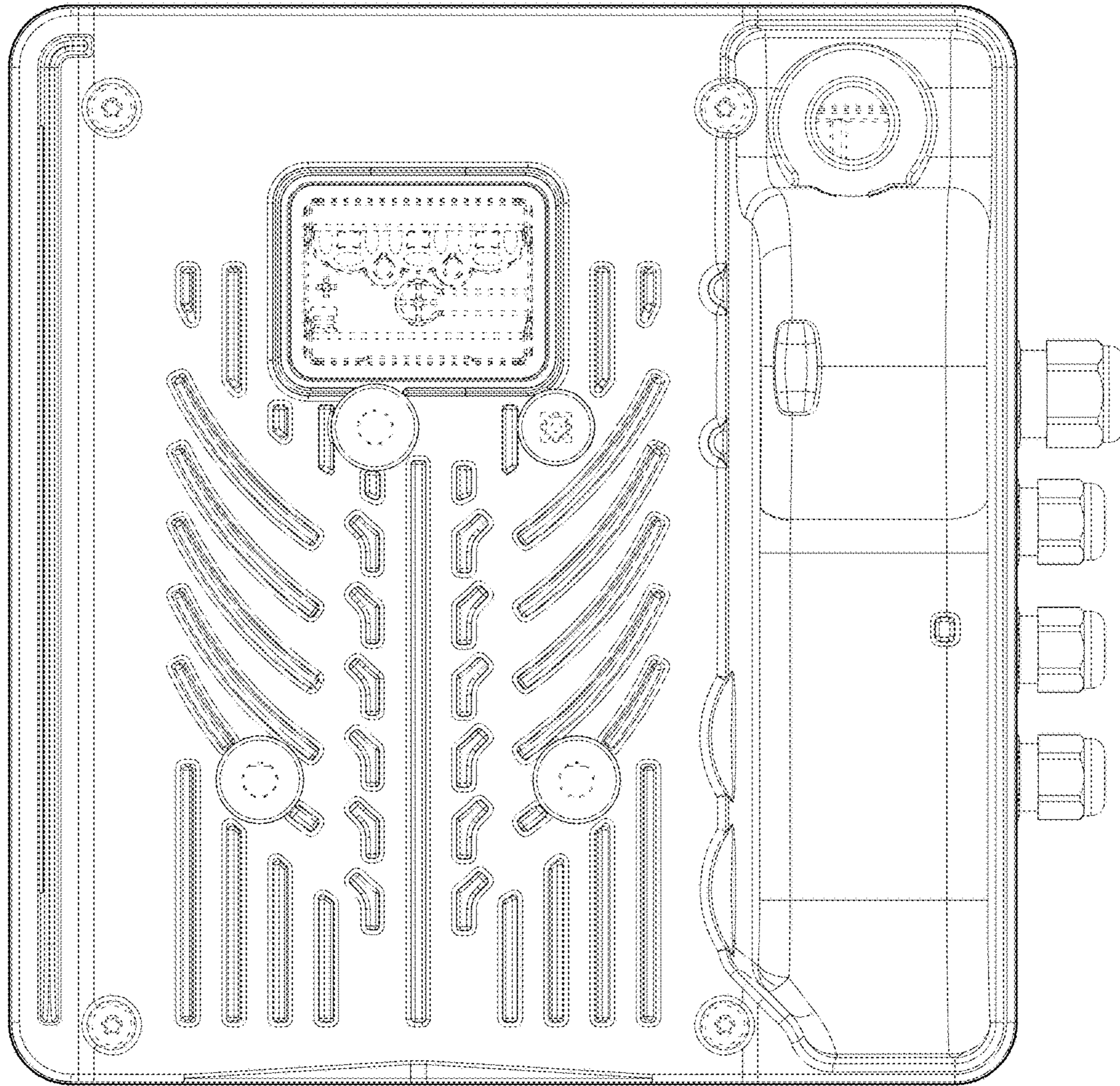


Fig. 3

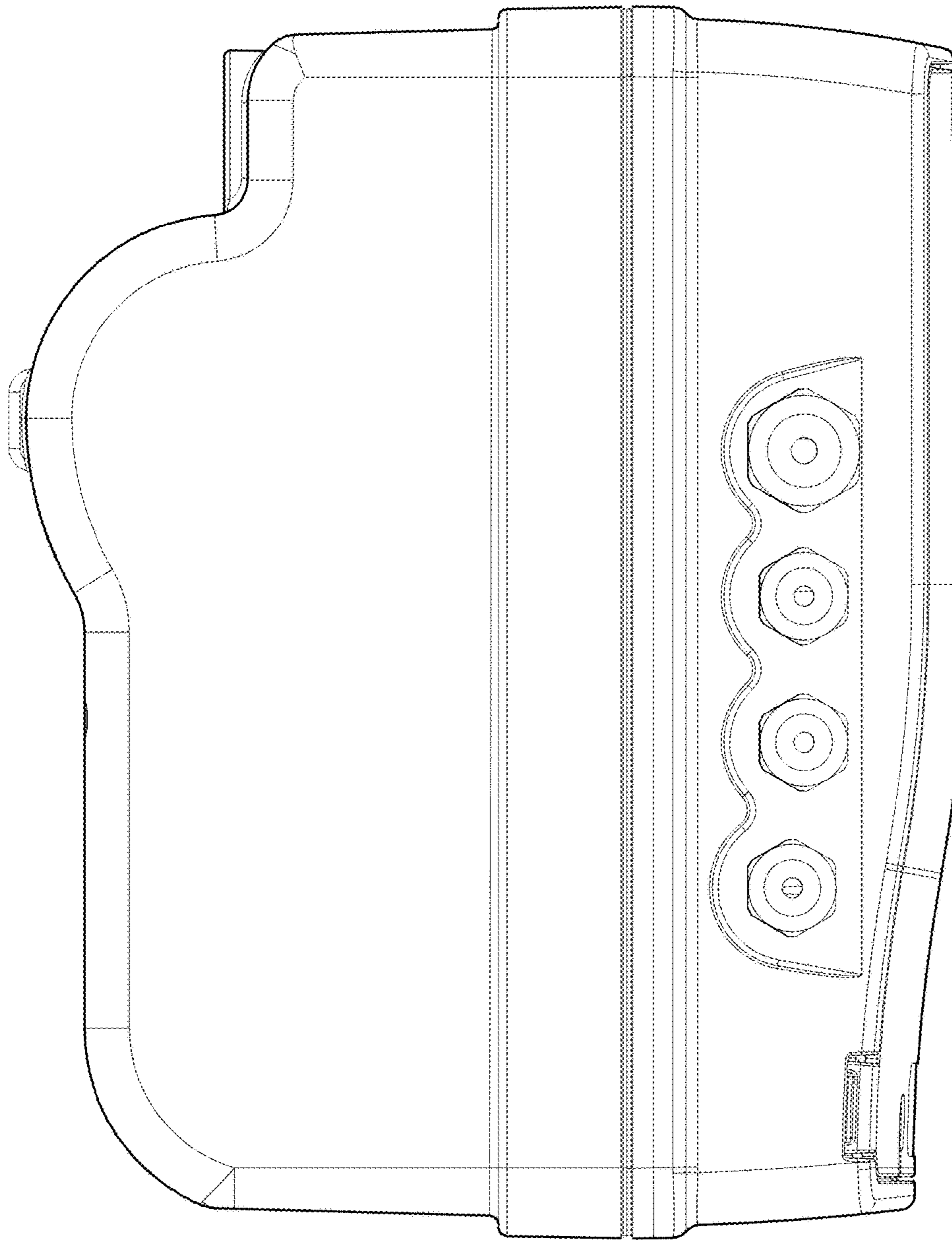


Fig. 4

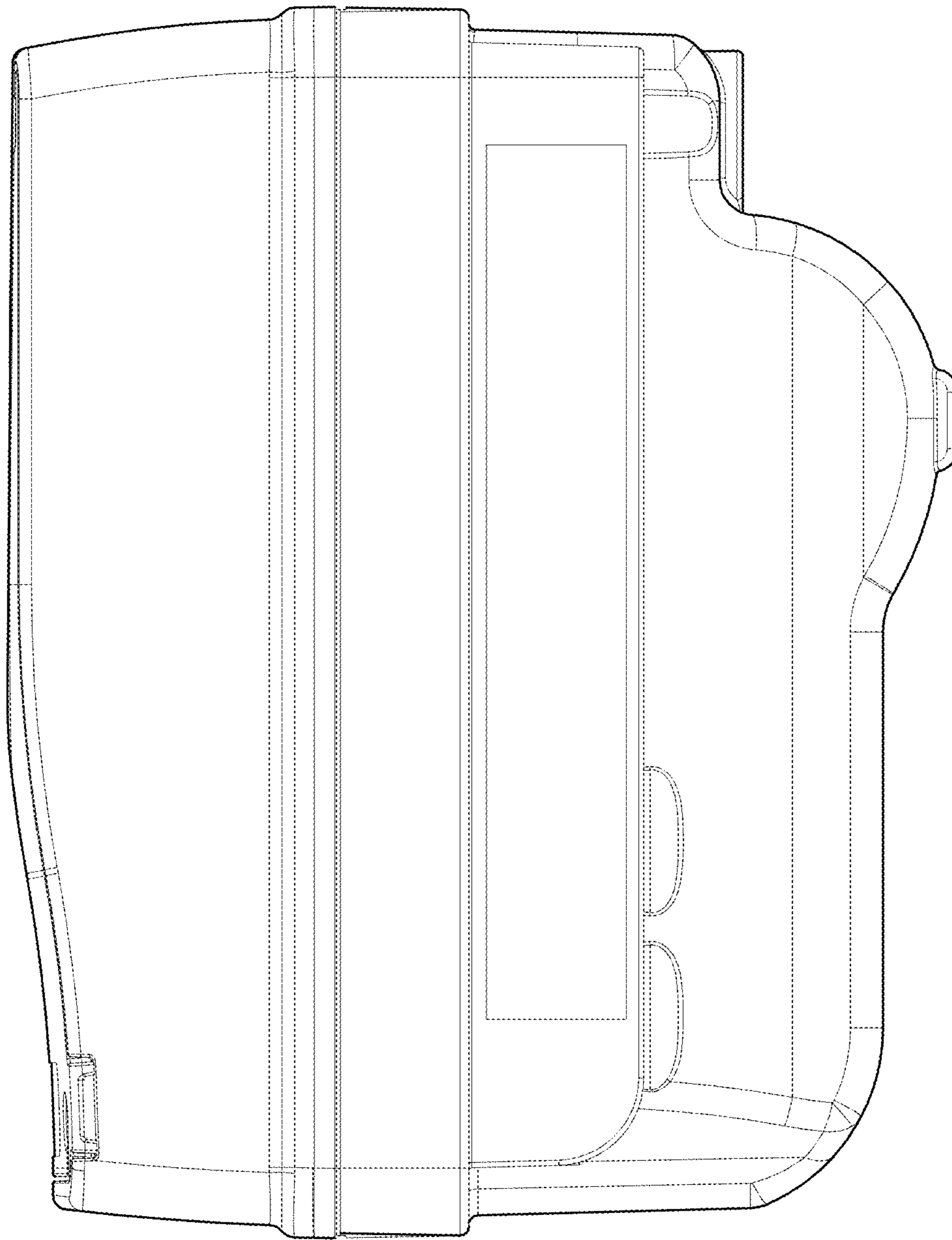


Fig. 5

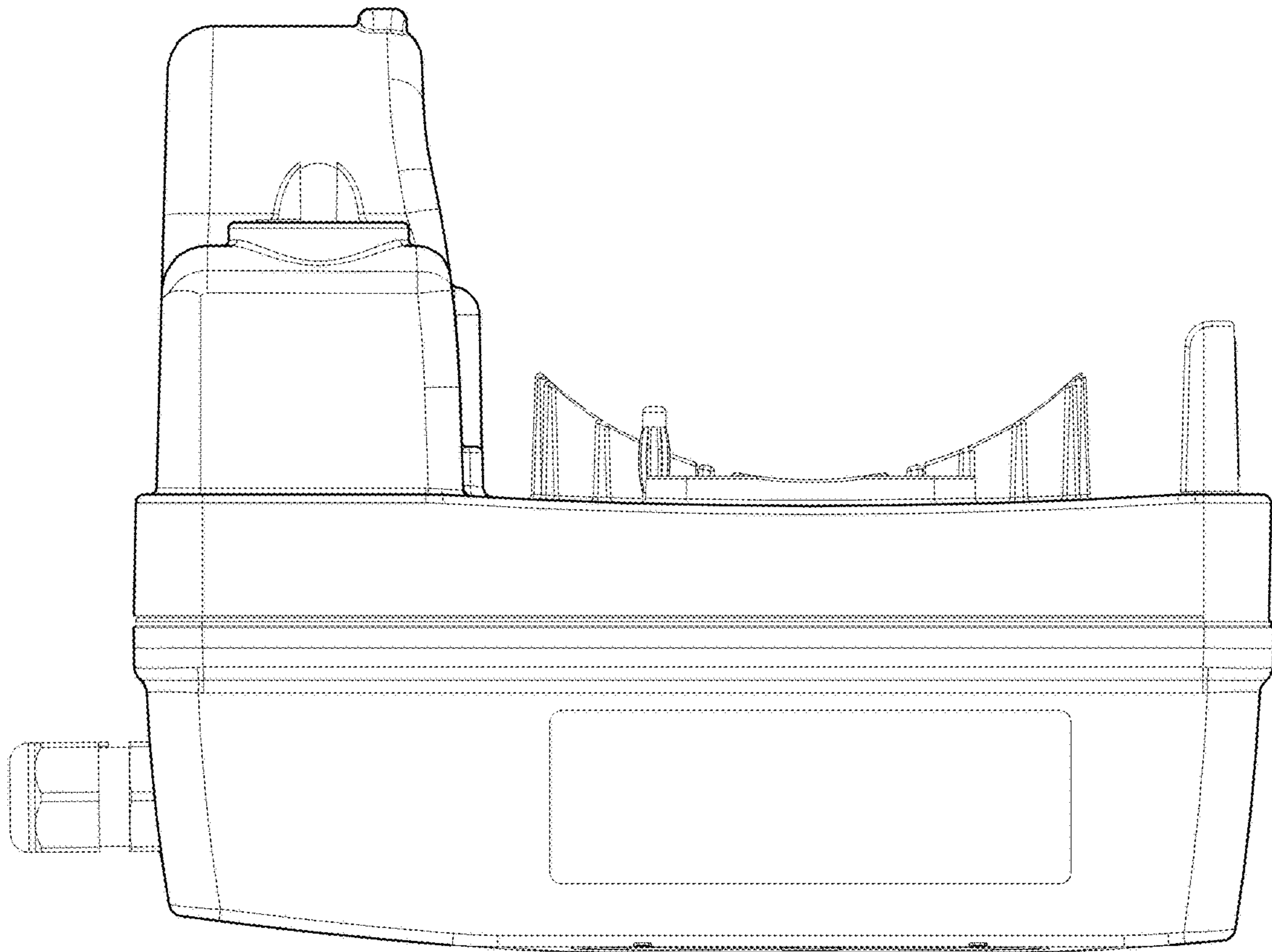


Fig. 6

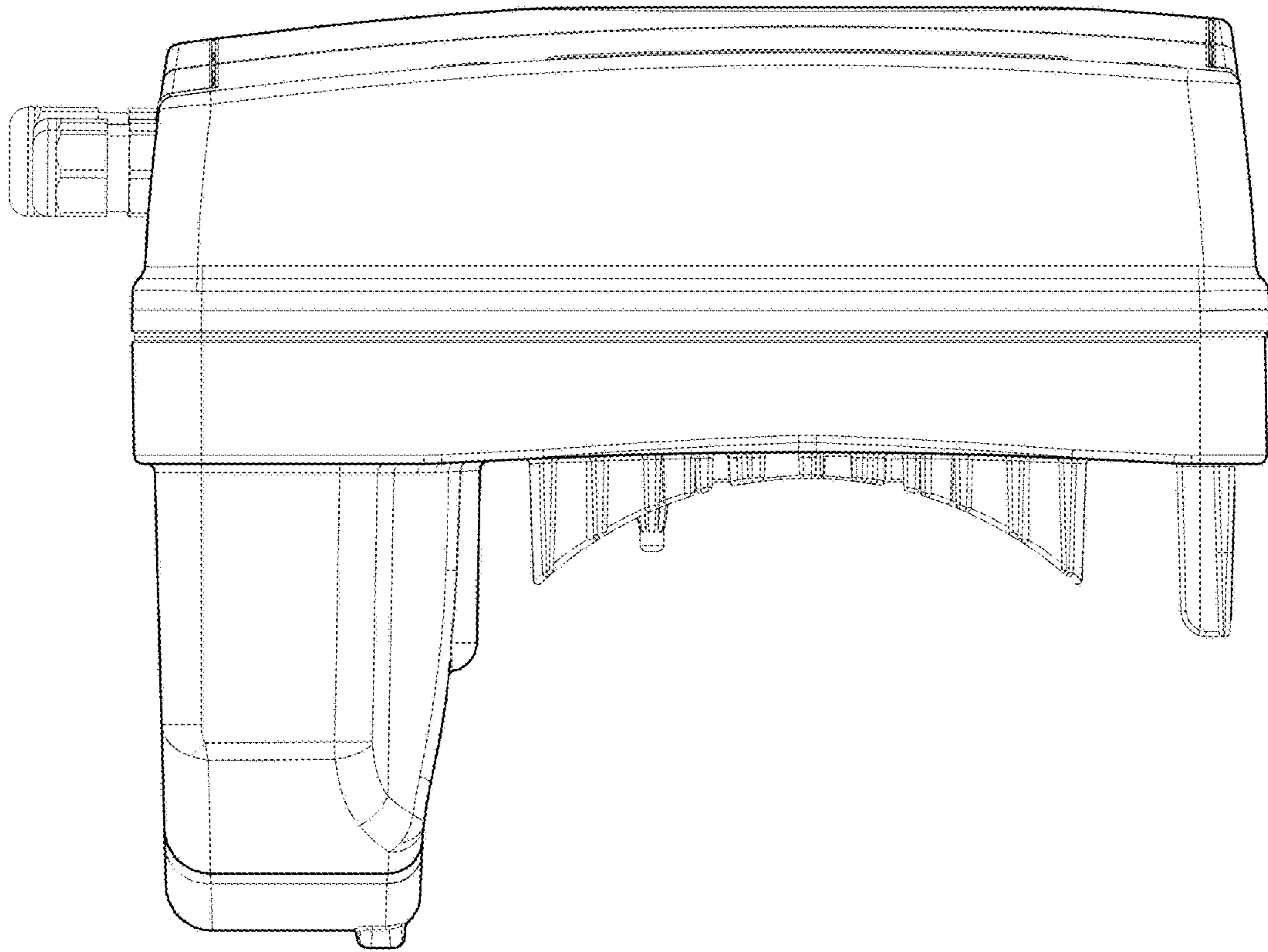


Fig. 7