



US00D805557S

(12) **United States Design Patent** (10) **Patent No.:** **US D805,557 S**
Lanevongsa et al. (45) **Date of Patent:** **** Dec. 19, 2017**

- (54) **HYDRAULIC PUMP**
- (71) Applicant: **Liebherr Machines Bulle SA**, Bulle (CH)
- (72) Inventors: **Van No Lanevongsa**, Laupen (CH); **Marko Del Aguila**, Bern (CH); **Lorenz Jonas**, Kirchdorf an der Iller (DE)
- (73) Assignee: **Liebherr-Machines Bulle SA**, Bulle (CH)
- (**) Term: **15 Years**
- (21) Appl. No.: **29/560,540**
- (22) Filed: **Apr. 7, 2016**

- (30) **Foreign Application Priority Data**
Oct. 7, 2015 (EP) 2 813 824
- (51) **LOC (10) Cl.** **15-02**
- (52) **U.S. Cl.**
USPC **D15/7**
- (58) **Field of Classification Search**
USPC D15/7-9; D23/231, 232, 225; 417/60, 417/235, 265, 321, 355, 358, 363, 359, 417/410.1, 415-416, 405, 900, 269, 539; 60/408, 412; 184/26-37; 415/140-147; 123/495, 509; 137/565.34
CPC F02M 37/04; F02M 37/14; F04B 53/92; F04B 1/005
See application file for complete search history.

- (56) **References Cited**
U.S. PATENT DOCUMENTS
D140,523 S * 3/1945 Miller D15/7
D149,389 S * 4/1948 Svenson et al. D15/7

- D283,224 S * 4/1986 Lametto D15/7
- D285,447 S * 9/1986 Dudeck D15/7
- D294,266 S * 2/1988 Dudeck D15/7
- D327,271 S * 6/1992 Cadotte D15/7
- D327,272 S * 6/1992 Cadotte D15/7
- D327,273 S * 6/1992 Cadotte D15/7
- D392,649 S * 3/1998 Plummer D15/7
- D408,420 S * 4/1999 Buter D15/7
- D713,860 S * 9/2014 Pedrollo D15/7

* cited by examiner

Primary Examiner — Ralf Seifert

(74) *Attorney, Agent, or Firm* — McCoy Russell LLP

(57) **CLAIM**

The ornamental design for a hydraulic pump, as shown and described.

DESCRIPTION

This application contains at least one drawing executed in color. Copies of this patent or patent application publication with color drawing(s) will be provided by the Office upon request and payment of the necessary fee.

FIG. 1 is a top view of a design for a hydraulic pump according to the present disclosure.

FIG. 2 is a bottom view of the hydraulic pump of FIG. 1.

FIG. 3 is a front view of the hydraulic pump of FIG. 1.

FIG. 4 is a rear view of the hydraulic pump of FIG. 1.

FIG. 5 is a right side view of the hydraulic pump of FIG. 1.

FIG. 6 is a left side view of the hydraulic pump of FIG. 1;

and,

FIG. 7 is a top-rear perspective view of the hydraulic pump of FIG. 1.

The shadowing shown in FIGS. 1-7 are for illustrative purposes only and form no part of the claimed design.

1 Claim, 7 Drawing Sheets
(7 of 7 Drawing Sheet(s) Filed in Color)

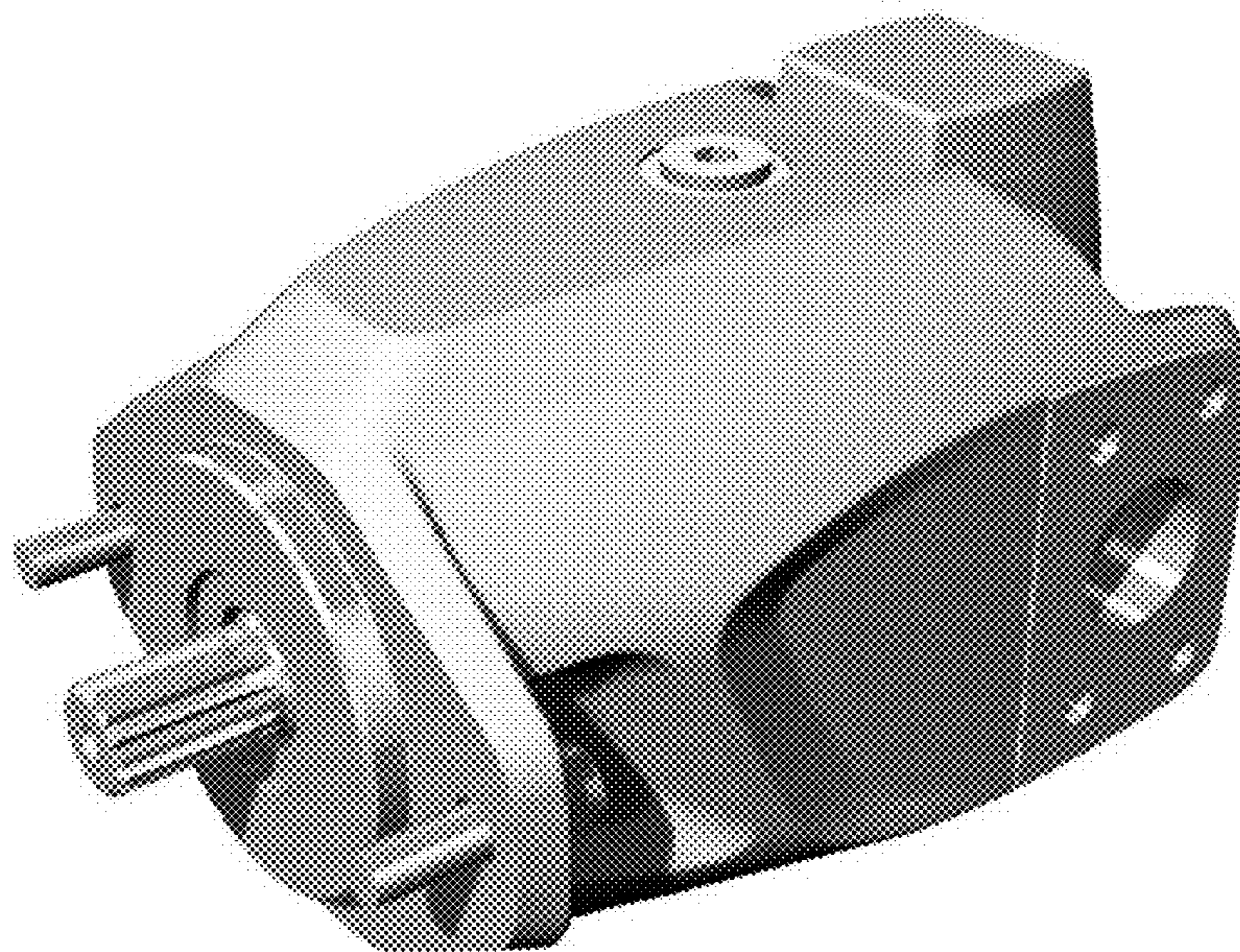


Fig. 1

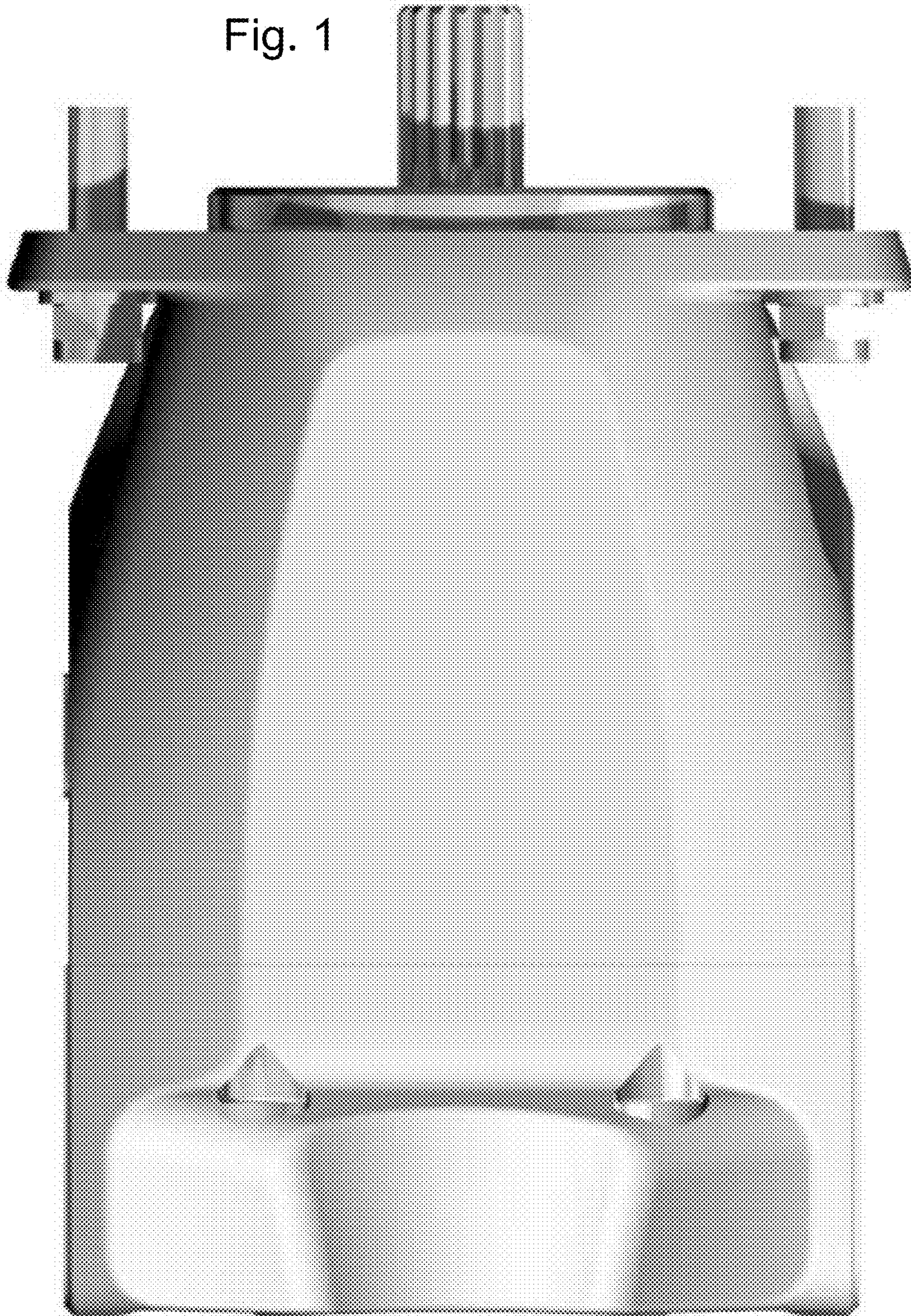


Fig. 2



Fig. 3

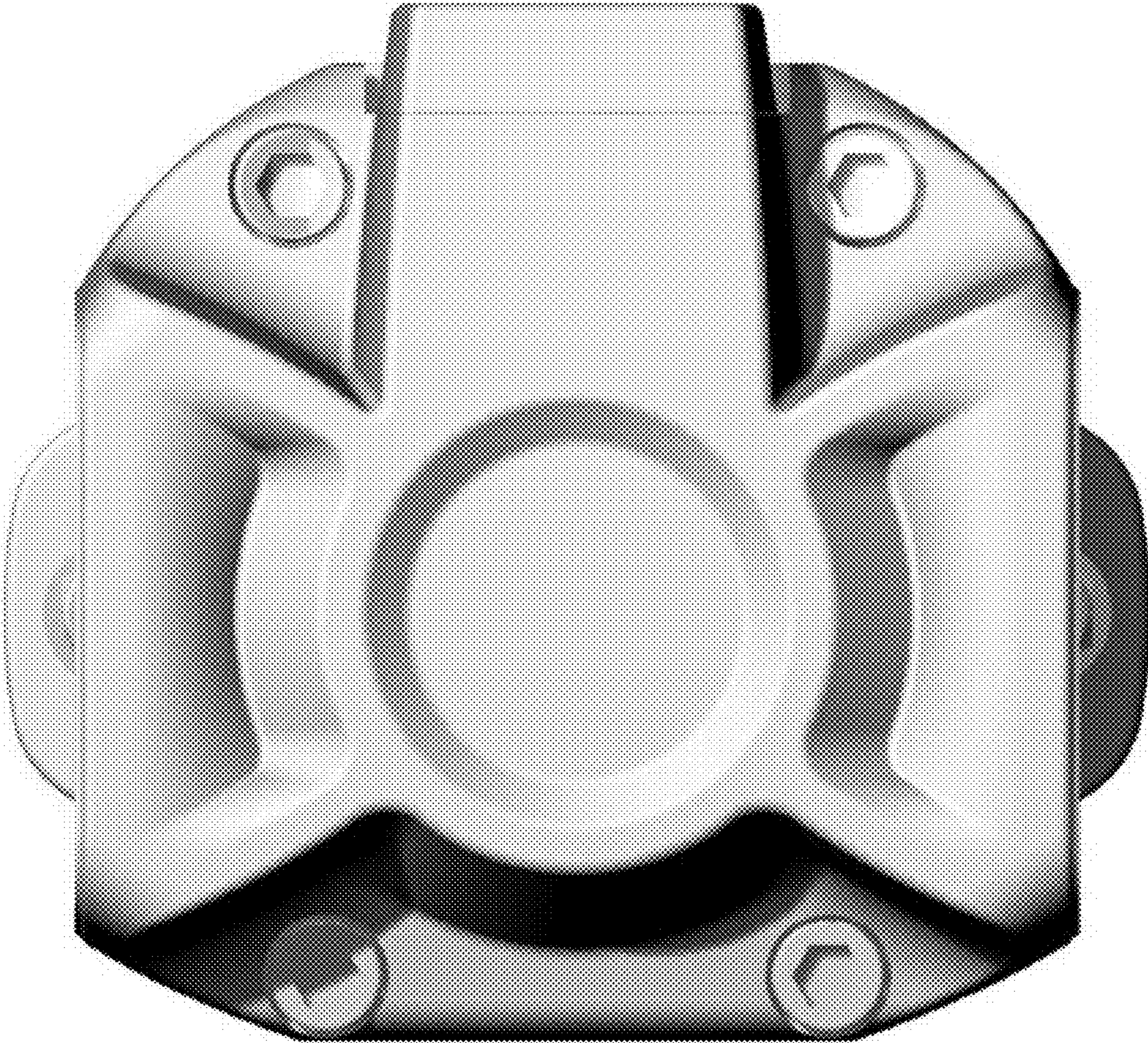


Fig. 4

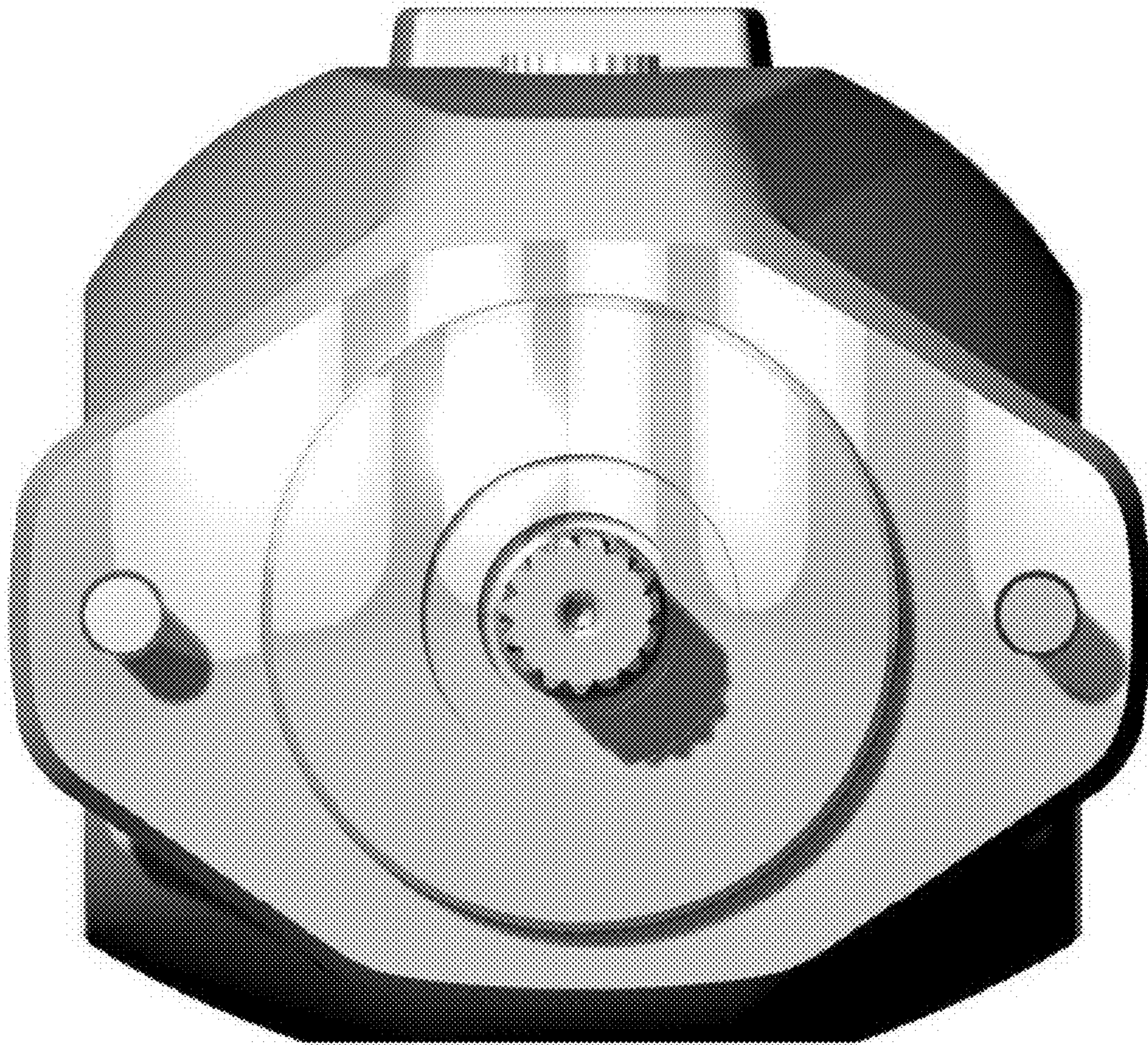


Fig. 5



Fig. 6



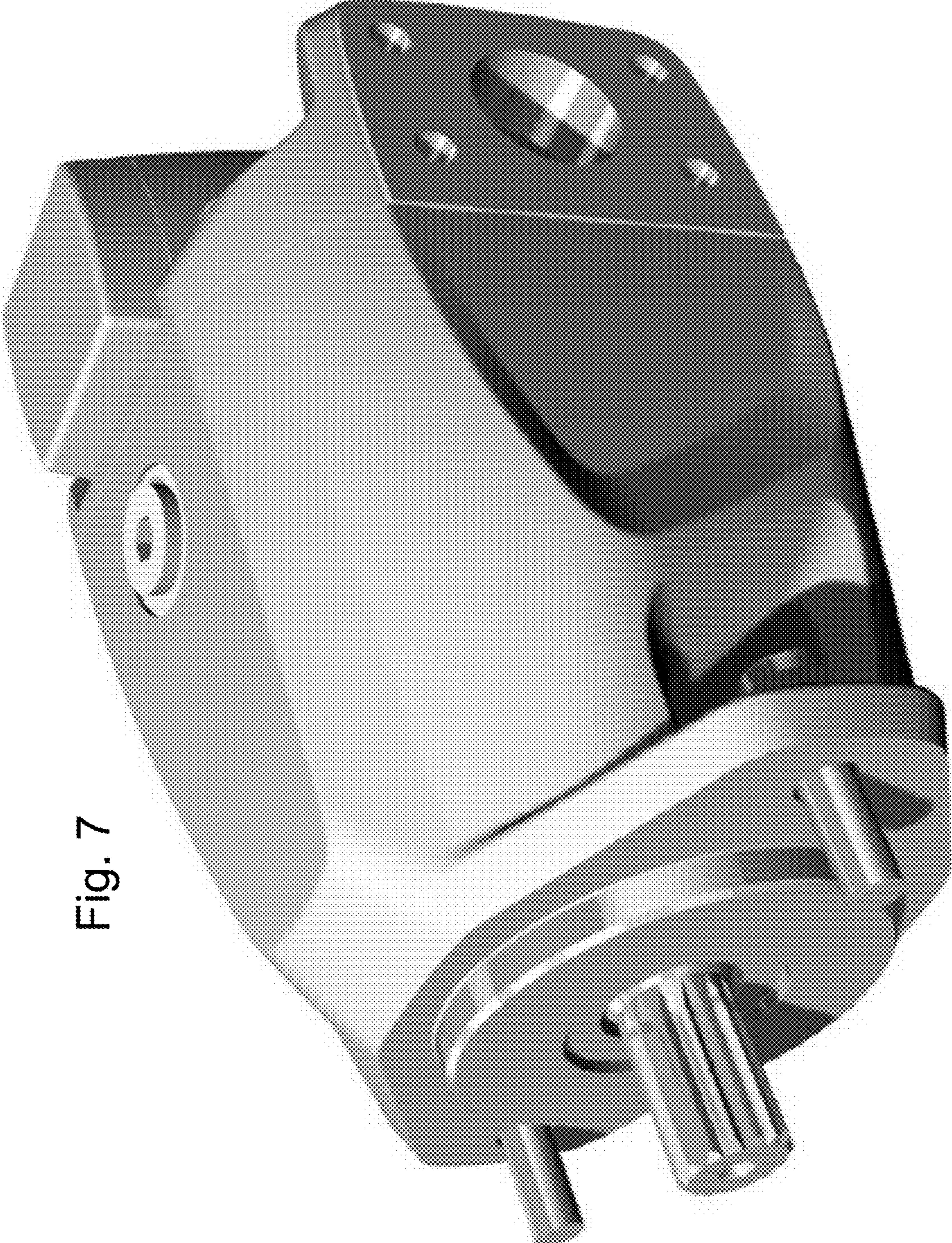


Fig. 7