



US00D805551S

(12) **United States Design Patent** (10) **Patent No.:** **US D805,551 S**
Yamasaki et al. (45) **Date of Patent:** **** Dec. 19, 2017**

(54) **DISPLAY SCREEN OR PORTION THEREOF WITH A TRANSITIONAL GRAPHICAL USER INTERFACE COMPONENT FOR IDENTIFYING CURRENT LOCATION**

Primary Examiner — Melanie H Tung
Assistant Examiner — Bao-Yen Nguyen
(74) *Attorney, Agent, or Firm* — Dority & Manning, P.A.

(71) Applicant: **Google Inc.**, Mountain View, CA (US)

(57) **CLAIM**

(72) Inventors: **Erika Yamasaki**, Tokyo (JP); **Madoka Katayama**, Tokyo (JP)

The ornamental design for a display screen or portion thereof with a transitional graphical user interface component for identifying current location, as shown and described.

(73) Assignee: **Google Inc.**, Mountain View, CA (US)

(**) Term: **15 Years**

(21) Appl. No.: **29/532,448**

DESCRIPTION

(22) Filed: **Jul. 7, 2015**

(51) **LOC (10) Cl.** **14-04**

(52) **U.S. Cl.**
USPC **D14/489**

(58) **Field of Classification Search**
USPC D14/485–495
CPC G06F 3/048; G06F 3/0481; G06F 3/04812; G06F 3/04815; G06F 3/04817; G06F 3/0482; G06F 3/0483; G06F 3/0484; G06F 3/04842; G06F 3/04845; G06F 3/04847; G06F 3/0485; G06F 3/04855; G06F 3/0486; G06F 3/0487; G06F 3/0488; G06F 3/04883; G06F 3/04886; H04N 1/00424

See application file for complete search history.

FIG. 1 is a front view of a portion of a display screen with a transitional user interface component showing a first image in a sequence according to a first embodiment of the design; FIG. 2 is a front view of a second image in the sequence of the first embodiment of FIG. 1; FIG. 3 is a front view of a portion of a display screen with a transitional user Interface component showing a first image in a sequence according to a second embodiment of the design; FIG. 4 is a front view of a second image in the sequence of the second embodiment of FIG. 3; FIG. 5 is a front view of a portion of a display screen with a transitional user Interface component showing a first image in a sequence according to a third embodiment of the design; and, FIG. 6 is a front view of a second image in the sequence of the third embodiment of FIG. 5. The process or period in which one image transitions to another forms no part of the claimed design. The appearance of the image transitions sequentially between FIGS. 1 to 2, FIGS. 2 to 1, FIGS. 3 to 4, FIGS. 4 to 3, FIGS. 5 to 6, and FIGS. 6 to 5. The broken lines illustrate the display screen or portion thereof and form no part of the claimed design. The broken lines illustrate portions of the graphical user interface and form no part of the claimed design.

(56) **References Cited**

U.S. PATENT DOCUMENTS

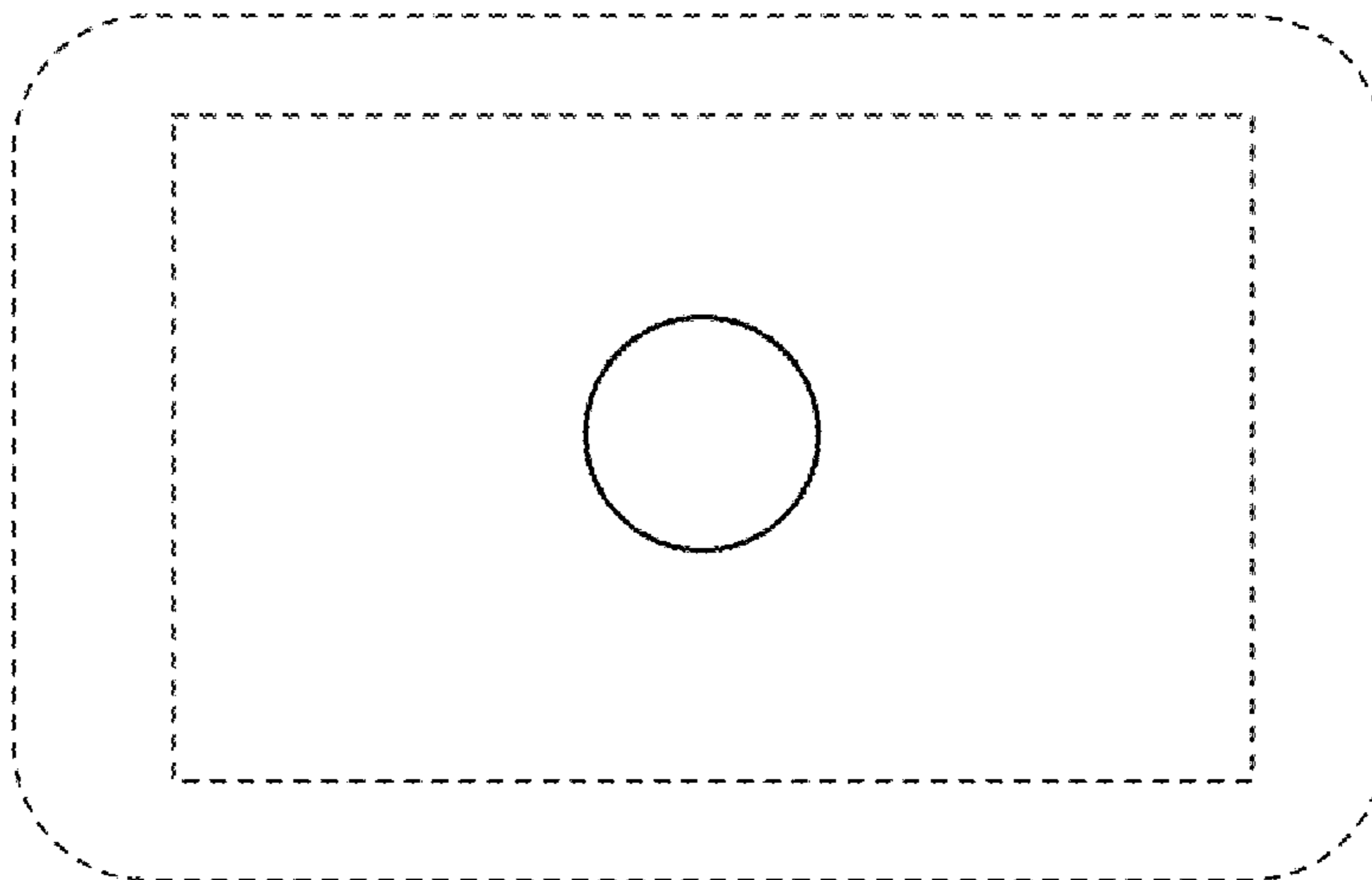
7,310,534 B2 12/2007 Northcutt
D667,450 S * 9/2012 Eby D14/492
D756,409 S * 5/2016 Kang D14/492
(Continued)

OTHER PUBLICATIONS

Sergey Valiukh, "Gif Animation" Dec. 30, 2013 <https://dribbble.com/shots/1360884-Gif-Animation>.*

(Continued)

1 Claim, 1 Drawing Sheet



(56)

References Cited

U.S. PATENT DOCUMENTS

2004/0248586 A1 12/2004 Patel et al.
2013/0318439 A1* 11/2013 Landis A61B 5/157
715/705
2015/0248214 A1* 9/2015 Gilger G06F 3/04842
715/719

OTHER PUBLICATIONS

Ben Cline, "Map Pin Bubble Animated" Apr. 16, 2013 <https://dribbble.com/shots/1032378MapPinBubbleAnimated>.*

"In the Kitchen" Jul. 1, 2014 <https://www.iconfinder.com/iconsets/inthekitchen2>.*

"Food 3" Sep. 25, 2013 <https://www.iconfinder.com/iconsets/eldorado-stroke-food-3>.*

"Elite food" Nov. 18, 2013 <https://www.iconfinder.com/iconsets/elite-food>.*

"Mix Color 4" May 29, 2015 <https://www.iconfinder.com/iconsets/mix-color-4>.*

"Foursquare 7.0 Brings Scannable Design and Expands Proactive Recommendations to all Users", TechCrunch, techcrunch.com/2013/12/05/foursquare-7-0-brings-scanable-design-and-expands-proactive-recommendations-to-all-users/, accessed Jan. 19, 2015, 8 pages.

"Google Map and Custom Marker for Current Location", StackOverflow, stackoverflow.com/questions/9625699/google-map-and-custom-marker-for-current-location, accessed Jan. 19, 2015, 2 pages.

* cited by examiner

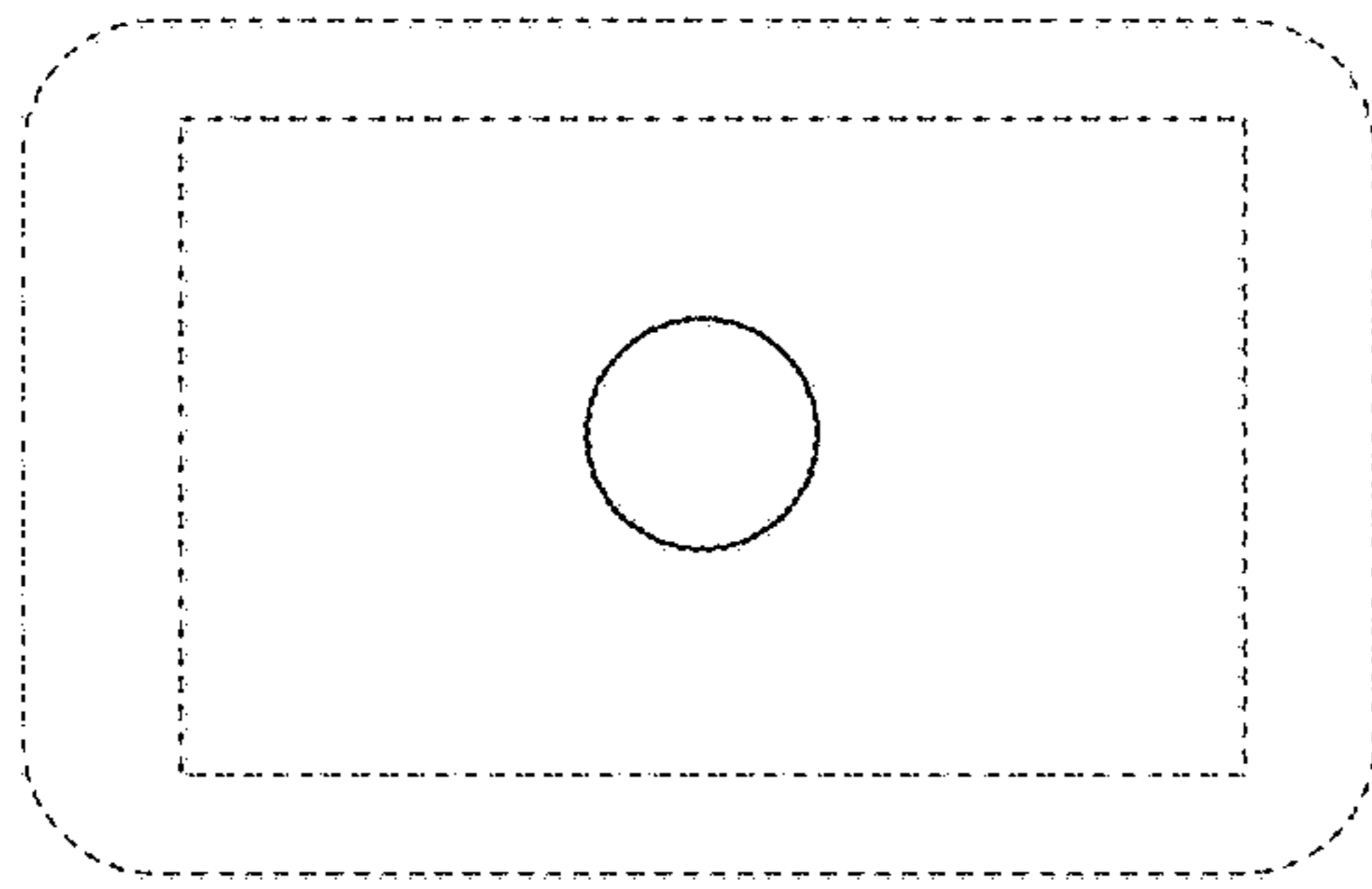


FIG. 1

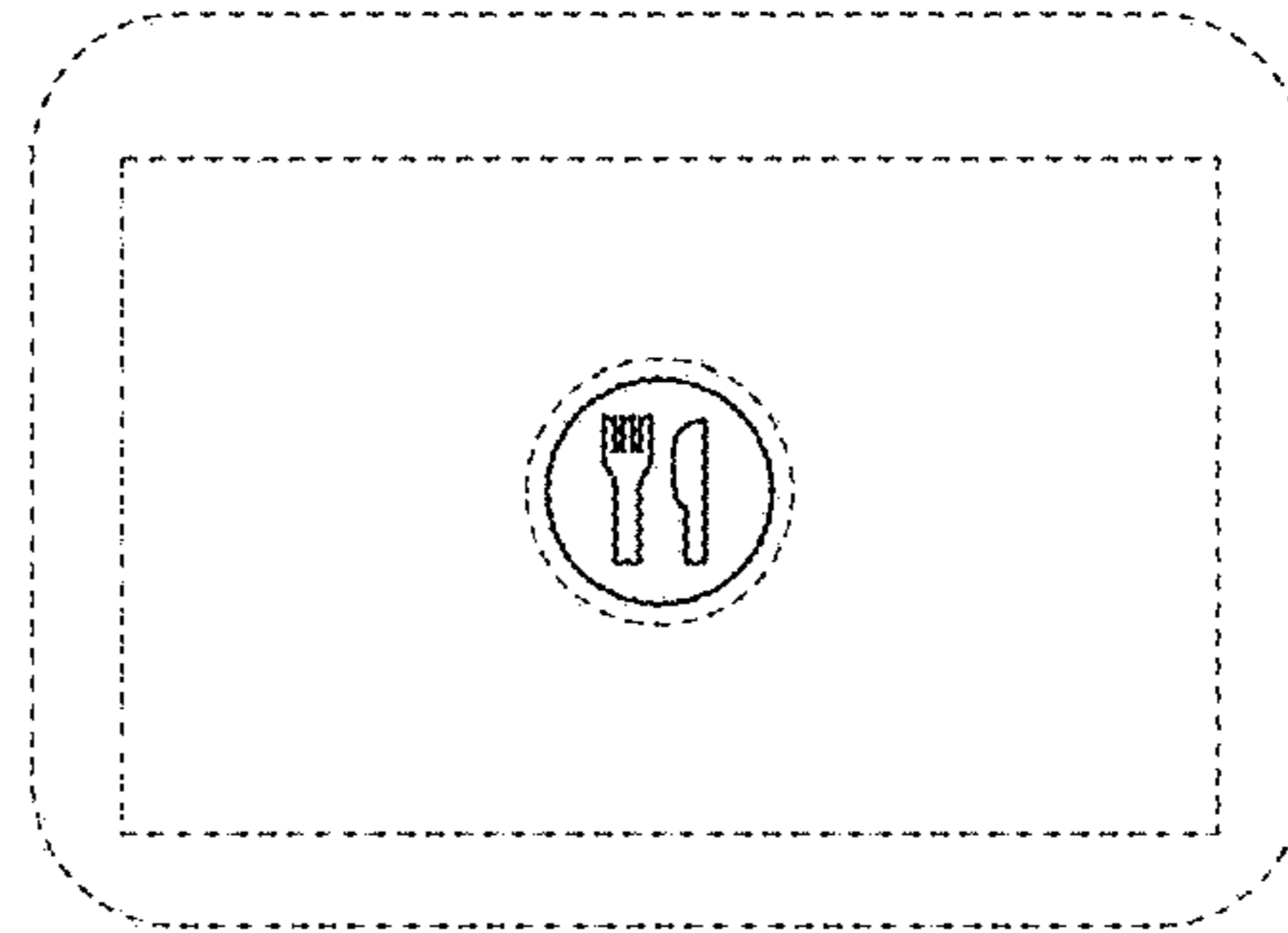


FIG. 2

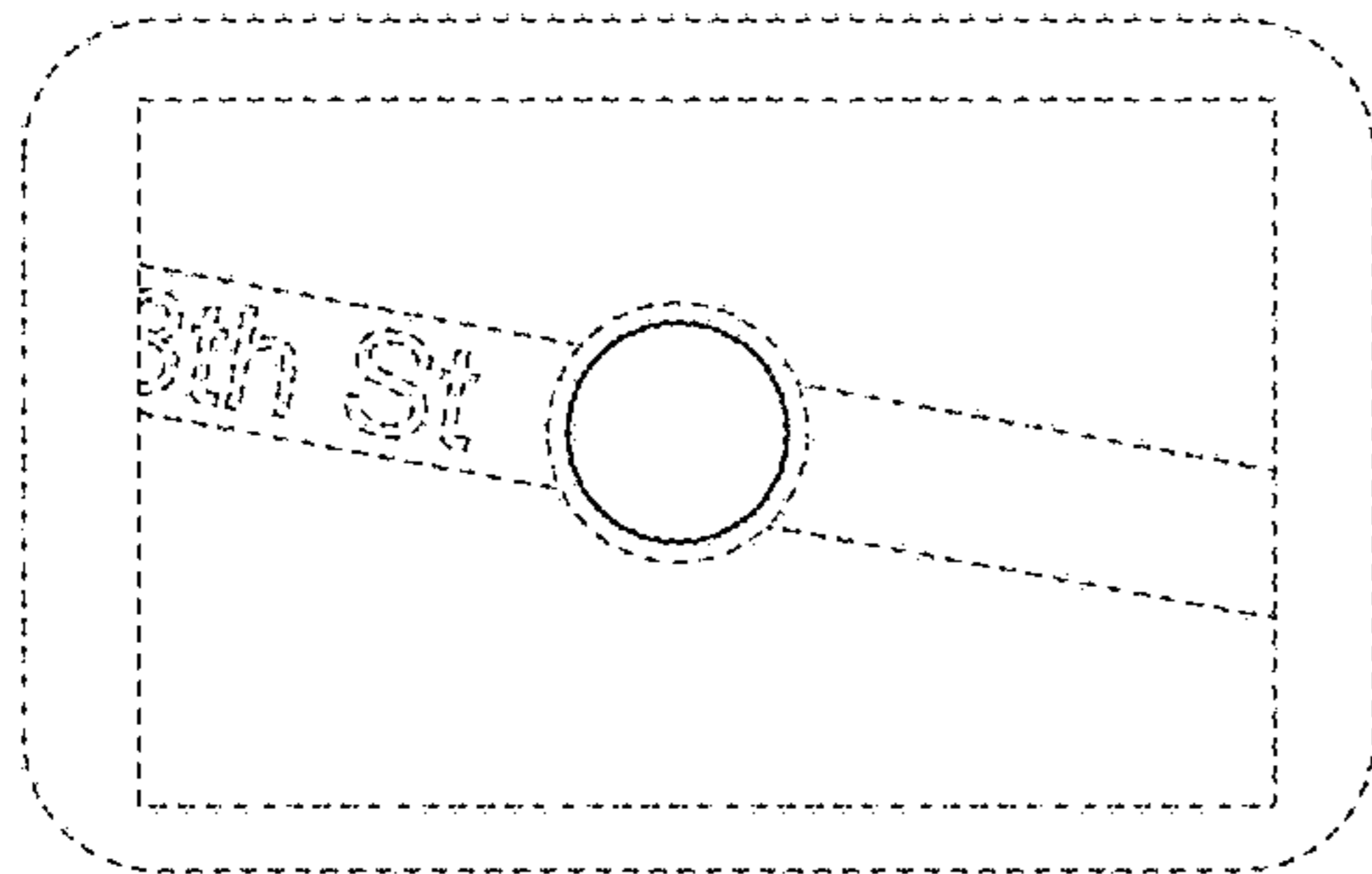


FIG. 3

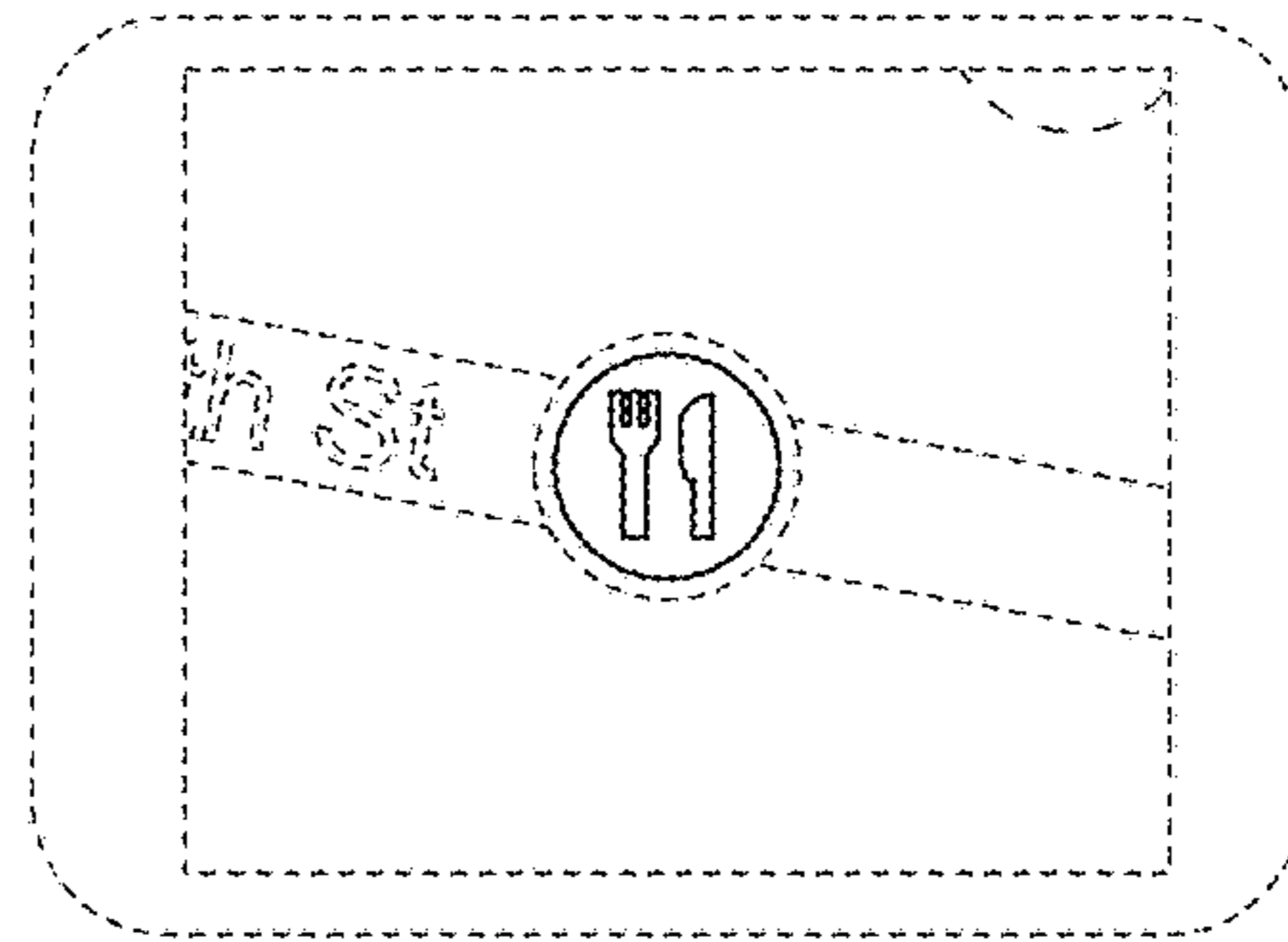


FIG. 4

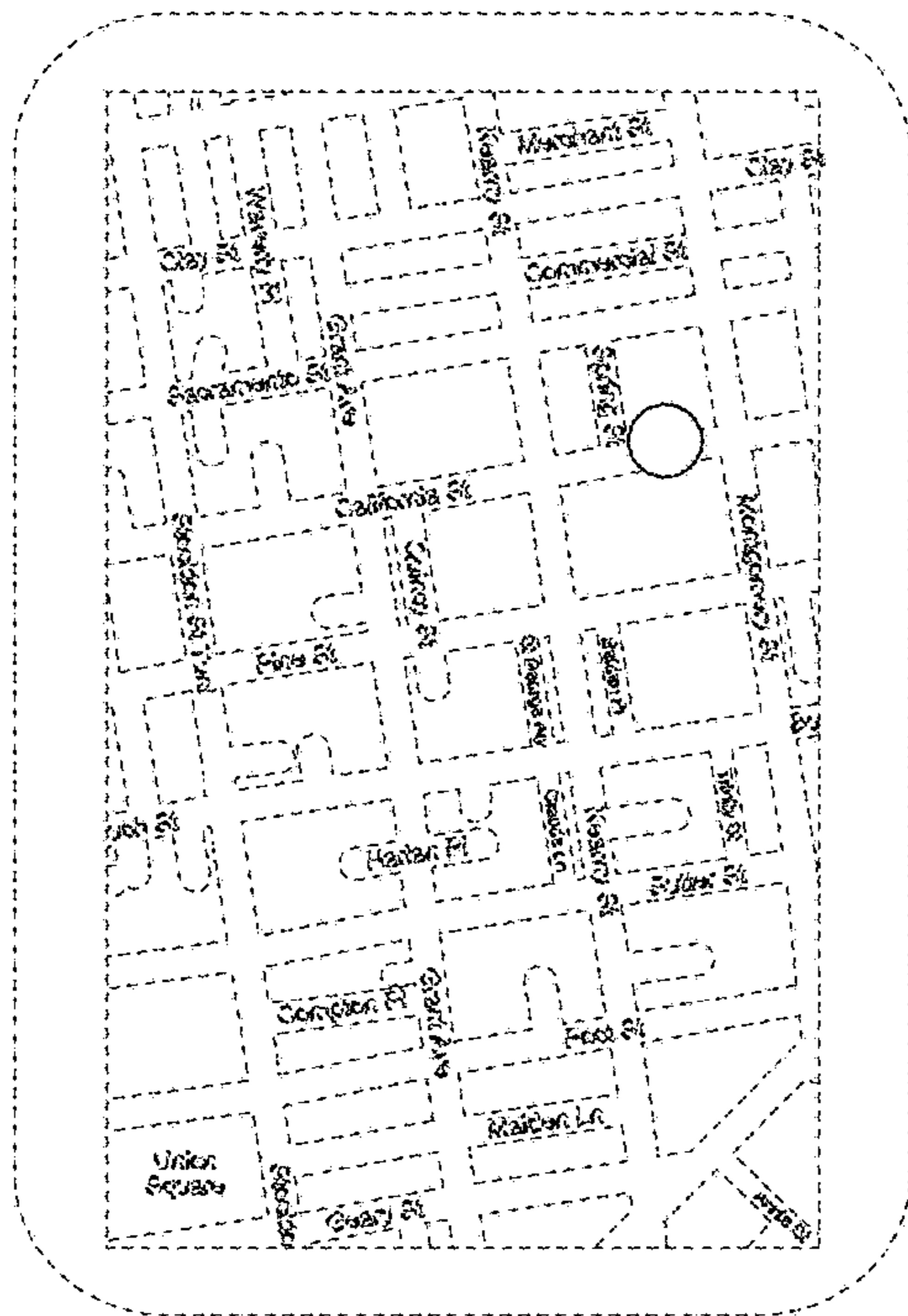


FIG. 5

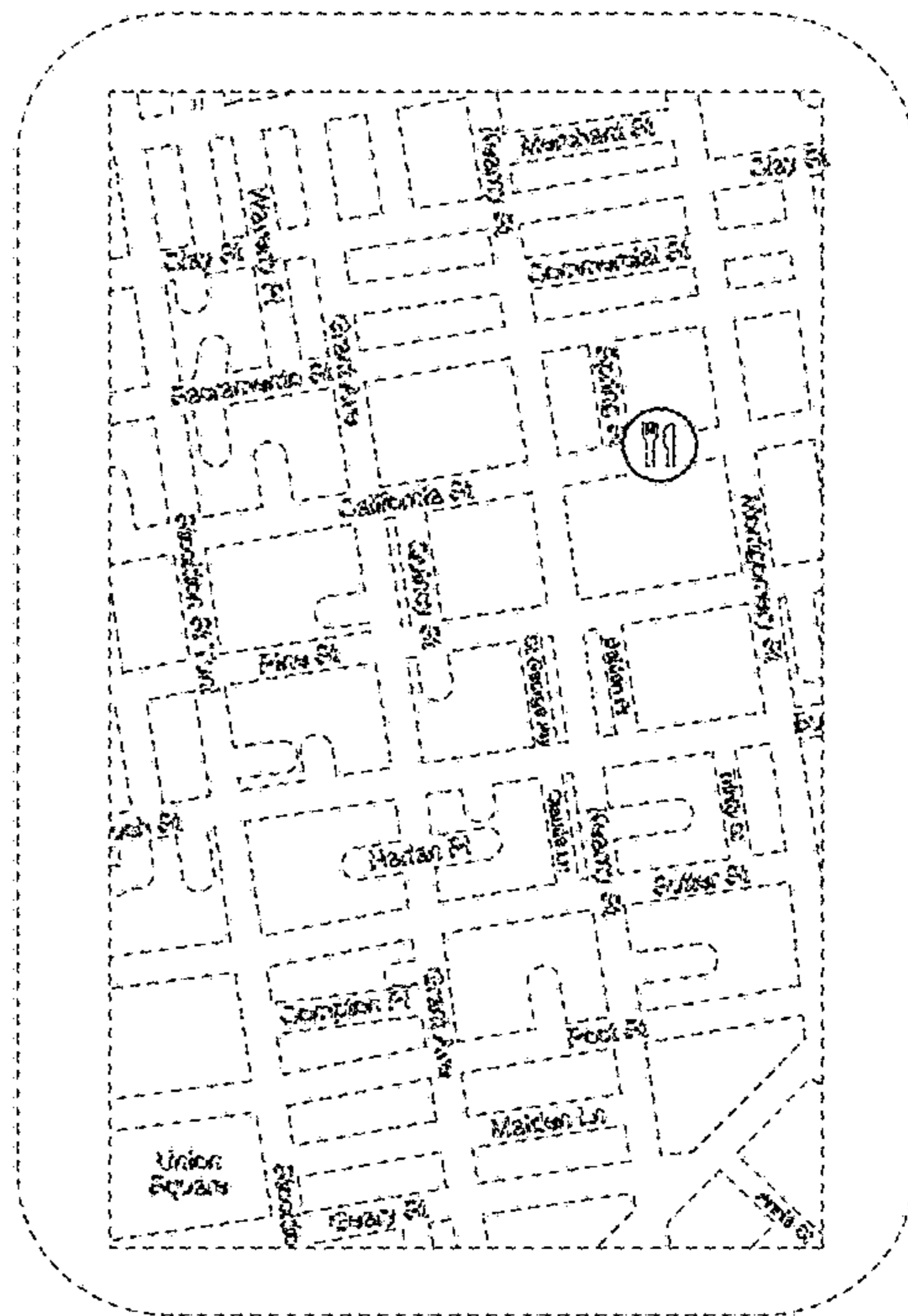


FIG. 6