



US00D805550S

(12) **United States Design Patent**
Butcher et al.

(10) **Patent No.:** **US D805,550 S**

(45) **Date of Patent:** **** Dec. 19, 2017**

(54) **DISPLAY SCREEN OR PORTION THEREOF WITH ANIMATED GRAPHICAL USER INTERFACE**

(71) Applicant: **Apple Inc.**, Cupertino, CA (US)

(72) Inventors: **Gary Butcher**, San Jose, CA (US);
Joseph Chan, San Francisco, CA (US);
Alan C. Dye, San Francisco, CA (US);
Chance Graham, Campbell, CA (US);
Jonathan P. Ive, San Francisco, CA (US)

(73) Assignee: **Apple Inc.**, Cupertino, CA (US)

(**) Term: **15 Years**

(21) Appl. No.: **29/604,780**

(22) Filed: **May 19, 2017**

Related U.S. Application Data

(63) Continuation of application No. 29/572,138, filed on Jul. 25, 2016, now Pat. No. Des. 787,533, which is a
(Continued)

(51) **LOC (10) Cl.** **14-04**

(52) **U.S. Cl.**
USPC **D14/488**

(58) **Field of Classification Search**
USPC D14/485-495
(Continued)

(56) **References Cited**

U.S. PATENT DOCUMENTS

D119,256 S 3/1940 Darling
3,630,137 A 12/1971 Stimson et al.
(Continued)

FOREIGN PATENT DOCUMENTS

KR 30-0668662 11/2013

OTHER PUBLICATIONS

Dashboard Widgets, Webcams, Wembley Webcam 1.0, located at <http://www.apple.com/downloads/dashboard/webcams/index2.html>, 2 pages.

(Continued)

Primary Examiner — Cathron C Brooks

Assistant Examiner — Sharon S Oum

(74) *Attorney, Agent, or Firm* — Sterne, Kessler, Goldstein & Fox P.L.L.C.

(57) **CLAIM**

The ornamental design for a display screen or portion thereof with animated graphical user interface, as shown and described.

DESCRIPTION

FIG. 1 is a front view of a display screen or portion thereof with animated graphical user interface showing a first image of the claimed design;

FIG. 2 is a second image thereof;

FIG. 3 is a third image thereof;

FIG. 4 is a fourth image thereof;

FIG. 5 is a fifth image thereof;

FIG. 6 is a sixth image thereof;

FIG. 7 is a seventh image thereof;

FIG. 8 is an eighth image thereof;

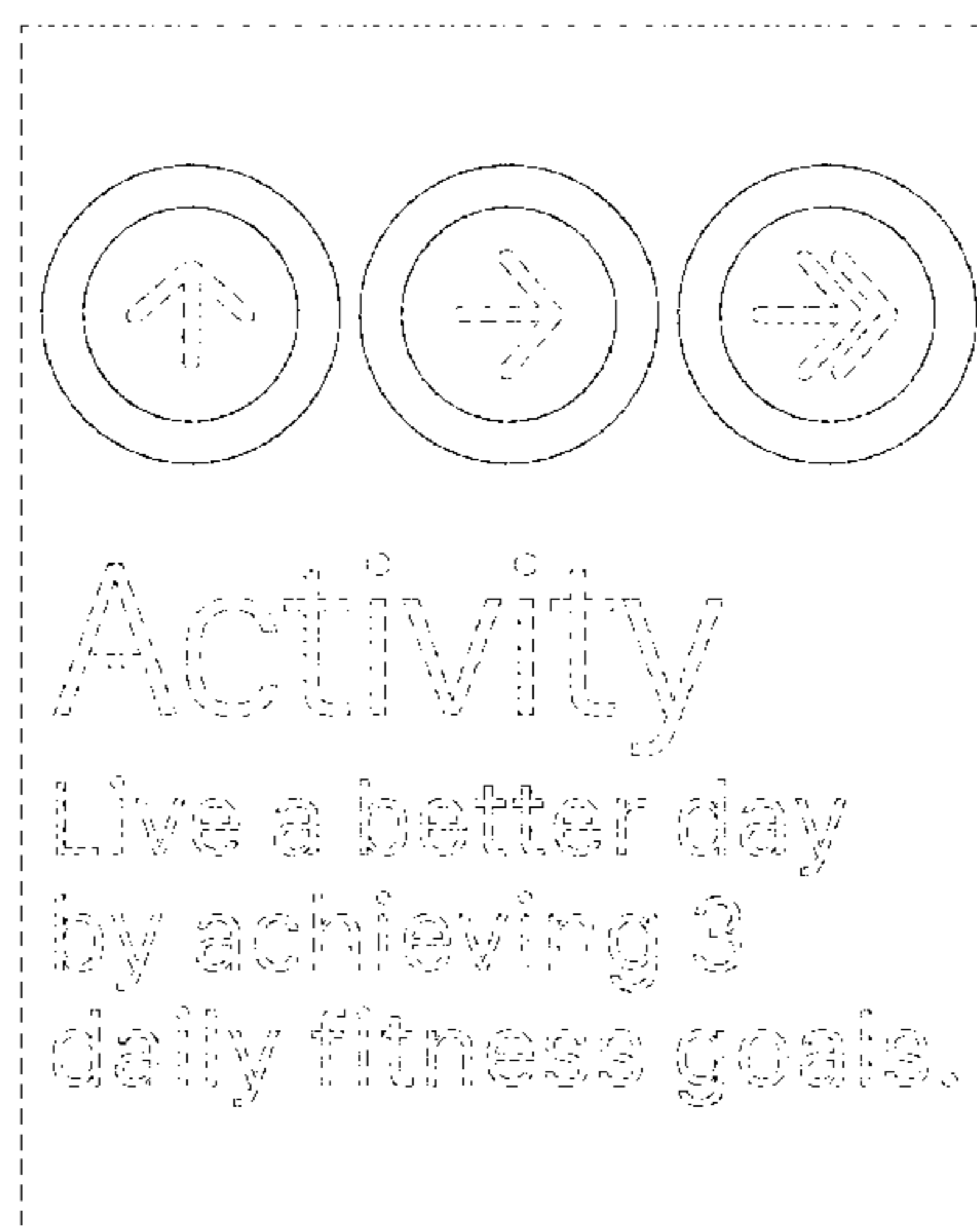
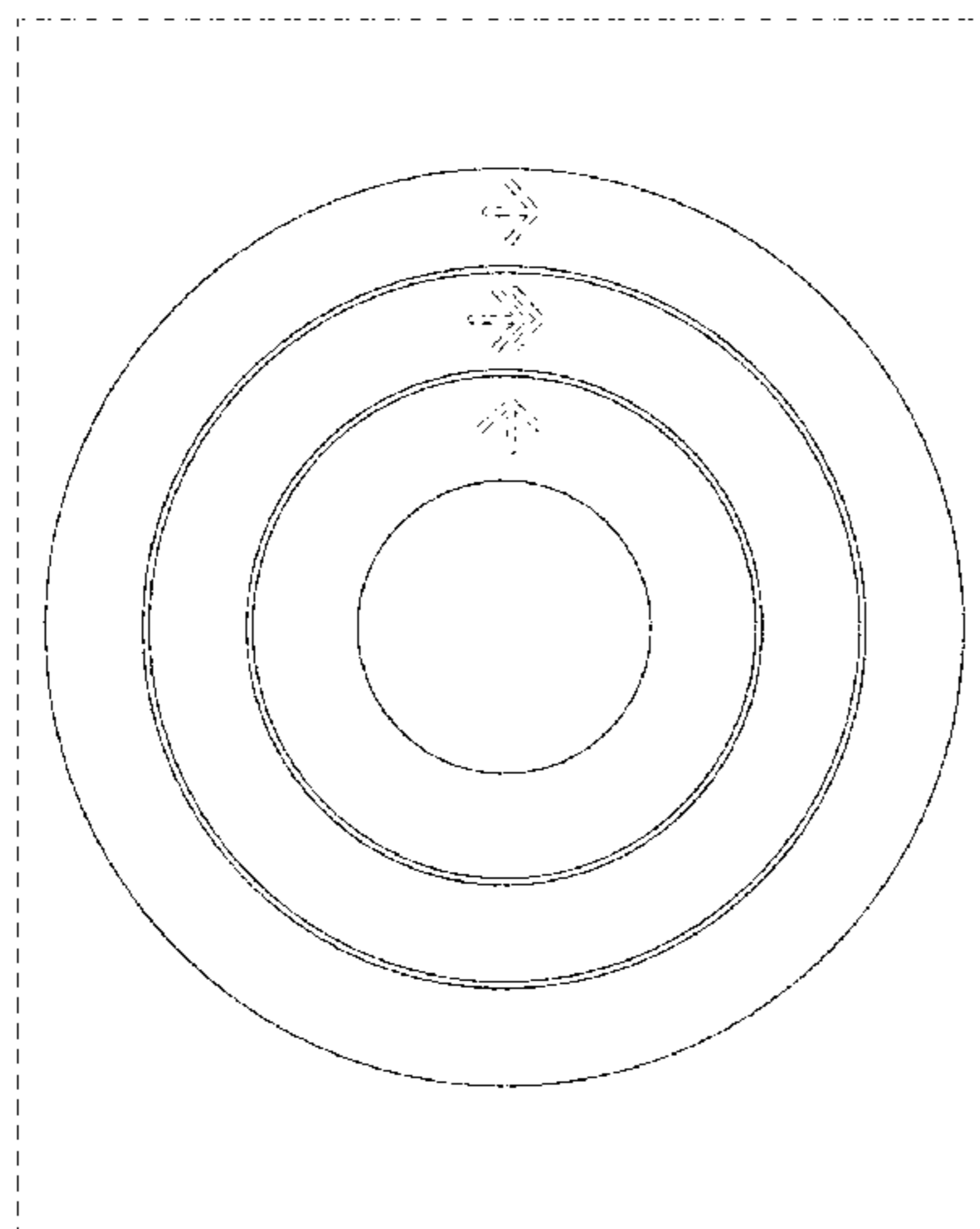
FIG. 9 is a ninth image thereof; and,

FIG. 10 is a tenth image thereof.

The outermost broken lines in the figures show a display screen or portion thereof, and form no part of the claimed design. The other broken lines in the figures show portions of the animated graphical user interface that form no part of the claimed design.

The appearance of the animated image sequentially transitions between the images shown in FIGS. 1-10. The process or period in which one image transitions to another forms no part of the claimed design.

1 Claim, 10 Drawing Sheets



Related U.S. Application Data

continuation of application No. 29/501,164, filed on Sep. 2, 2014, now Pat. No. Des. 762,659.

(58) **Field of Classification Search**

CPC .. G06F 3/04847; G06F 3/04842; G06F 3/048; G06F 3/0488; G06F 3/0482; G06Q 10/063114; H04N 1/00477; G11B 27/34
See application file for complete search history.

(56) **References Cited**

U.S. PATENT DOCUMENTS

3,678,823 A 7/1972 Sato
4,322,144 A 3/1982 Suzuki et al.
4,431,288 A 2/1984 Iwata et al.
5,798,760 A 8/1998 Vayda et al.
D416,550 S 11/1999 Richter
6,137,960 A 10/2000 Komatsuzaki et al.
D437,342 S 2/2001 Kramer et al.
D441,763 S 5/2001 Kahn et al.
D445,428 S 7/2001 Pattenden
D450,711 S 11/2001 Istvan et al.
D461,822 S 8/2002 Okuley
D474,197 S 5/2003 Nguyen
D474,782 S 5/2003 Okuley
D476,488 S 7/2003 White
D493,177 S 7/2004 Retuta et al.
D493,471 S 7/2004 McIntosh
D500,766 S 1/2005 Hanisch et al.
D505,135 S 5/2005 Sapp et al.
D510,583 S 10/2005 Vong
7,006,132 B2 2/2006 Pereira et al.
D523,441 S 6/2006 Sapp et al.
D536,343 S 2/2007 Fong et al.
D540,337 S 4/2007 Parta
D544,496 S 6/2007 Evans et al.
D545,323 S 6/2007 Decombe
D563,965 S 3/2008 Van Dongen et al.
D565,588 S 4/2008 Sherry
7,367,723 B2 5/2008 Matusik et al.
D582,935 S 12/2008 Lee et al.
D597,101 S 7/2009 Chaudhri et al.
D602,945 S * 10/2009 Watanabe D14/489
D603,421 S * 11/2009 Ebeling D14/489
D604,305 S 11/2009 Anzures et al.
D604,307 S 11/2009 Stiller et al.
D604,309 S * 11/2009 Song D14/486
D606,091 S 12/2009 O'Donnell et al.
D611,054 S 3/2010 Lin et al.
D611,952 S 3/2010 Berg et al.
D613,301 S * 4/2010 Lee D14/489
7,692,635 B2 4/2010 Iwamura
D617,334 S 6/2010 Chaudhri et al.
D619,614 S 7/2010 O'Mullan et al.
D637,201 S 5/2011 Wasko et al.
D641,374 S 7/2011 Fletcher et al.
D642,588 S 8/2011 Anzures
D644,239 S 8/2011 Anzures et al.
D644,242 S 8/2011 Matas
D644,243 S 8/2011 Matas
D647,914 S 11/2011 Brouwers et al.
D649,557 S 11/2011 Duchene
8,077,153 B2 12/2011 Benko et al.
D654,925 S 2/2012 Nishizawa et al.
8,151,209 B2 4/2012 Law et al.
D659,159 S 5/2012 Matas
D661,701 S 6/2012 Brown et al.
8,230,339 B2 7/2012 Watanabe et al.
8,255,454 B2 8/2012 Broda et al.
D667,019 S 9/2012 Chaudhri
D669,497 S 10/2012 Lee et al.
8,327,272 B2 12/2012 Anzures et al.
D676,060 S 2/2013 Frost et al.
8,386,961 B2 2/2013 Buffet et al.
D684,586 S 6/2013 Plesnicher et al.

D686,218 S 7/2013 Anzures et al.
D687,056 S * 7/2013 Matas D14/488
D696,264 S * 12/2013 d'Amore D14/485
D700,207 S 2/2014 Pearson et al.
D702,718 S 4/2014 Abratowski et al.
D705,810 S 5/2014 Ma et al.
D706,806 S * 6/2014 Nishizawa D14/488
D707,696 S 6/2014 Bentley
D707,705 S * 6/2014 Folken D14/490
D710,367 S 8/2014 Quattrocchi
D711,909 S 8/2014 Chaudhri
D721,724 S 1/2015 Horst et al.
D726,219 S 4/2015 Chaudhri et al.
D727,336 S 4/2015 Allison et al.
D728,616 S 5/2015 Gomez et al.
D737,300 S * 8/2015 Hisada D14/486
D738,380 S 9/2015 Nielsen
D741,898 S 10/2015 Soegiono et al.
D750,646 S 3/2016 Tawa et al.
D751,108 S 3/2016 Caldwell et al.
D752,098 S 3/2016 Kim et al.
D752,624 S 3/2016 Butcher et al.
D753,696 S 4/2016 Dye et al.
D754,173 S 4/2016 Kim
D755,823 S 5/2016 Chen et al.
D756,373 S 5/2016 Raskin et al.
D756,391 S 5/2016 Kouvas et al.
D758,422 S * 6/2016 Zhao G06F 3/04817
D14/488
D759,061 S * 6/2016 Sahoo D14/485
D759,079 S 6/2016 Carlton et al.
D759,682 S * 6/2016 Myung D14/485
D760,250 S * 6/2016 Myung D14/485
D760,778 S * 7/2016 Lee D14/489
D760,791 S 7/2016 Liu
D761,277 S 7/2016 Harvell et al.
D761,812 S 7/2016 Motamedi
D761,857 S 7/2016 Mariet et al.
D762,659 S 8/2016 Butcher et al.
D762,660 S 8/2016 Butcher et al.
D762,715 S * 8/2016 Williamson D14/488
D763,306 S * 8/2016 Lee D14/488
D764,536 S * 8/2016 Butcher D14/488
D765,091 S 8/2016 Del Lima et al.
D766,289 S 9/2016 Bauer et al.
D766,917 S 9/2016 Kwon et al.
D767,629 S * 9/2016 Gupta D14/492
D768,179 S 10/2016 Akana et al.
D771,076 S 11/2016 Butcher et al.
D772,932 S 11/2016 Chen et al.
D772,941 S 11/2016 Nuovo et al.
D773,499 S * 12/2016 Jones D14/486
D781,878 S 3/2017 Butcher et al.
D781,879 S 3/2017 Butcher et al.
D785,036 S * 4/2017 Jung D14/487
D789,385 S 6/2017 Butcher et al.
D792,438 S * 7/2017 Kim D14/486
D793,415 S * 8/2017 Kim D14/486
D793,422 S * 8/2017 Gagnier D14/486
2004/0141010 A1 7/2004 Fitzmaurice et al.
2005/0010955 A1 1/2005 Elia et al.
2007/0136679 A1 6/2007 Yang
2008/0126992 A1 5/2008 Scheu et al.
2010/0146433 A1 6/2010 Murata et al.
2011/0047014 A1 2/2011 De Angelo
2011/0271186 A1 * 11/2011 Owens G06F 3/04847
715/716
2013/0019182 A1 1/2013 Gil et al.
2013/0174097 A1 7/2013 Wernecke
2013/0227450 A1 8/2013 Na et al.
2014/0317542 A1 10/2014 Kim et al.
2016/0011726 A1 * 1/2016 Felt G06F 3/0482
715/828

OTHER PUBLICATIONS

Registered Trademark Serial No. 78157294, Seagate Technology, filed Aug. 23, 2002.

(56)

References Cited

OTHER PUBLICATIONS

Dashboard Widgets, Webcams, MelaVedo, dated Jan. 12, 2006, located at <http://www.apple.com/downloads/dashboard/webcams/>, 3 pages.

Dashboard Widgets, Shopping, BBC Motion Gallery Search Widget, dated Apr. 25, 2006, located at <http://www.apple.com/downloads/dashboant/shopping/index4.html>, 3 pages.

Trademark Serial No. 78735768, published for opposition Aug. 29, 2006, (Registrant) Microsoft.

Registered Trademark Serial No. 77235043, Apple Inc., filing date Jul. 20, 2007, first use date Jun. 28, 2005.

Registered Trademark Serial No. 85069782, Apple Inc., filed Jun. 23, 2010.

Arc Live Clock Wallpaper Lite, posted date Mar. 3, 2012, play.gofreeshare.com, Copyright © 2016, site visited Feb. 29, 2016, Available from Internet, <<http://play.gofreeshare.com/app/gp9cf43h1f5i0/Arc%20Live%20Clock%20Wallpaper%20Lite.html>>.

When it Comes to iOS 7 Design, Apple and Developers Speak Different Languages, posted Jul. 2, 2013, http://www.maclife.com/article/colrmms/when_it_comes_ios_7_design_apple_and_developers_speak_different_languages.

Ultimate Infographic Resource Kits for Designers, posted around or before Sep. 26, 2013, hongkiat.com, site visited Feb. 18, 2016, Available from Internet, <http://www.hongkiat.com/blog/infographics-resource-kits/#comment-1_072640523>.

Registered Trademark Serial No. 86238890, Apple Inc., filing date Apr. 1, 2014, priority date Oct. 8, 2013.

Registered Trademark Serial No. 86238947, Apple Inc., filing date Apr. 1, 2014, priority date Oct. 8, 2013.

Registered Trademark Serial No. 86239011, Apple Inc., filing date Apr. 1, 2014.

Registered Trademark Serial No. 86350204, Apple Inc., filing date Jul. 28, 2014, priority date Jan. 29, 2014.

Apple iWatch—The New Fitness Tracker, posted date Oct. 14, 2014, www.workouttrends.com, Copyright © 2014, site visited Jan. 11, 2016, Available from Internet, <<http://workouttrends.com/apple-iwatch-fitness>>.

Registered Trademark Serial No. 86526959, Apple Inc., filing date Feb. 6, 2015, priority date Sep. 17, 2014.

Registered Trademark Serial No. 86527039, Apple Inc., filing date Feb. 6, 2015, priority date Sep. 17, 2014.

Registered Trademark Serial No. 86527069, Apple Inc., filing date Feb. 6, 2015, priority date Sep. 17, 2014.

Registered Trademark Serial No. 86533674, Apple Inc., filing date Feb. 12, 2015, priority date Sep. 8, 2014.

Registered Trademark Serial No. 86514929, Apple Inc., filed Jan. 26, 2015.

Dulp: Color Wheel Blast, updated Jan. 7, 2016, www.iosmobileapp.com, Copyright © 2015, site visited Jan. 14, 2016, Available from Internet, <http://www.iosmobileapp.com/nexx_studio/dulp_color_wheel_blast!app1d1040871937>.

* cited by examiner

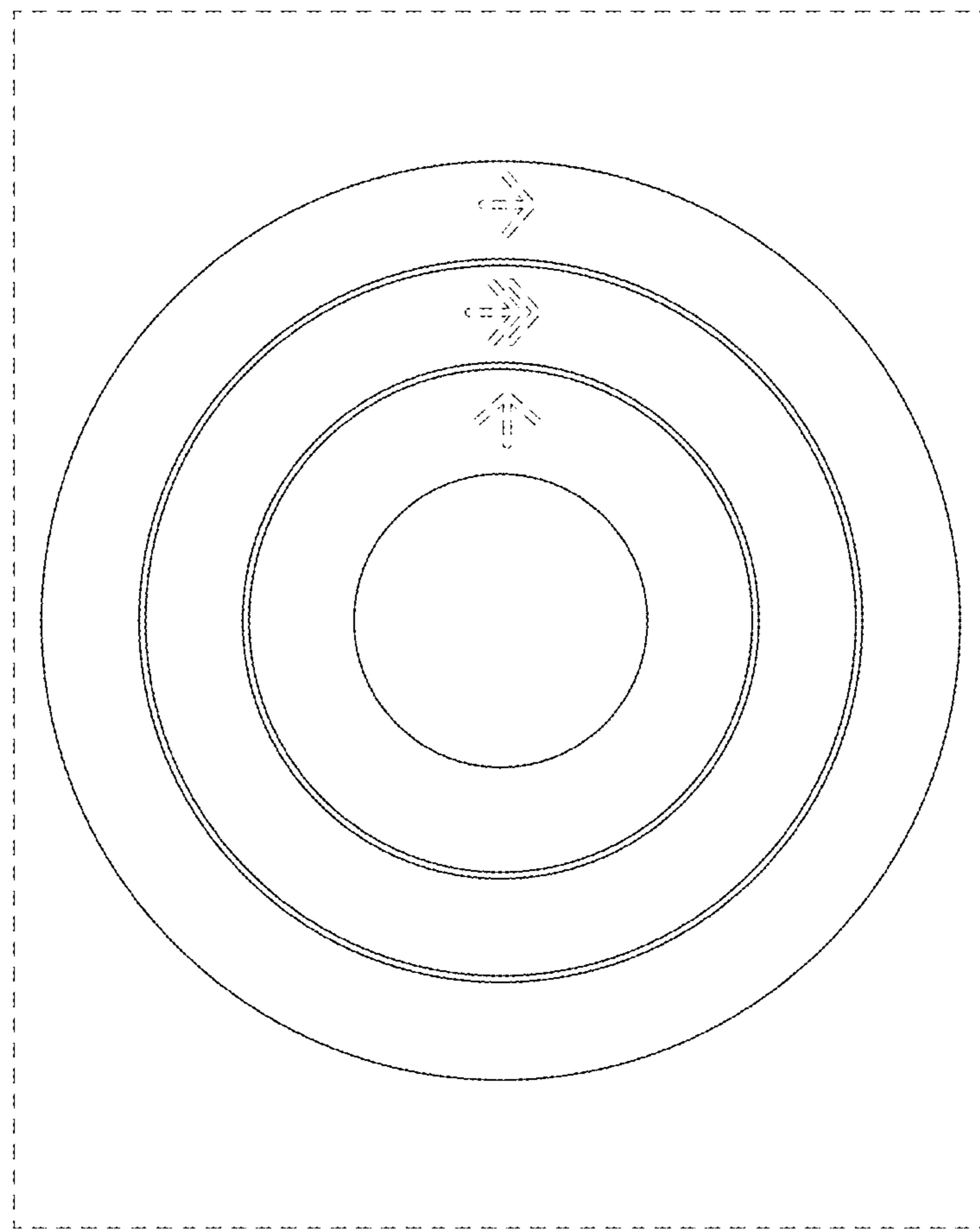


FIG. 1

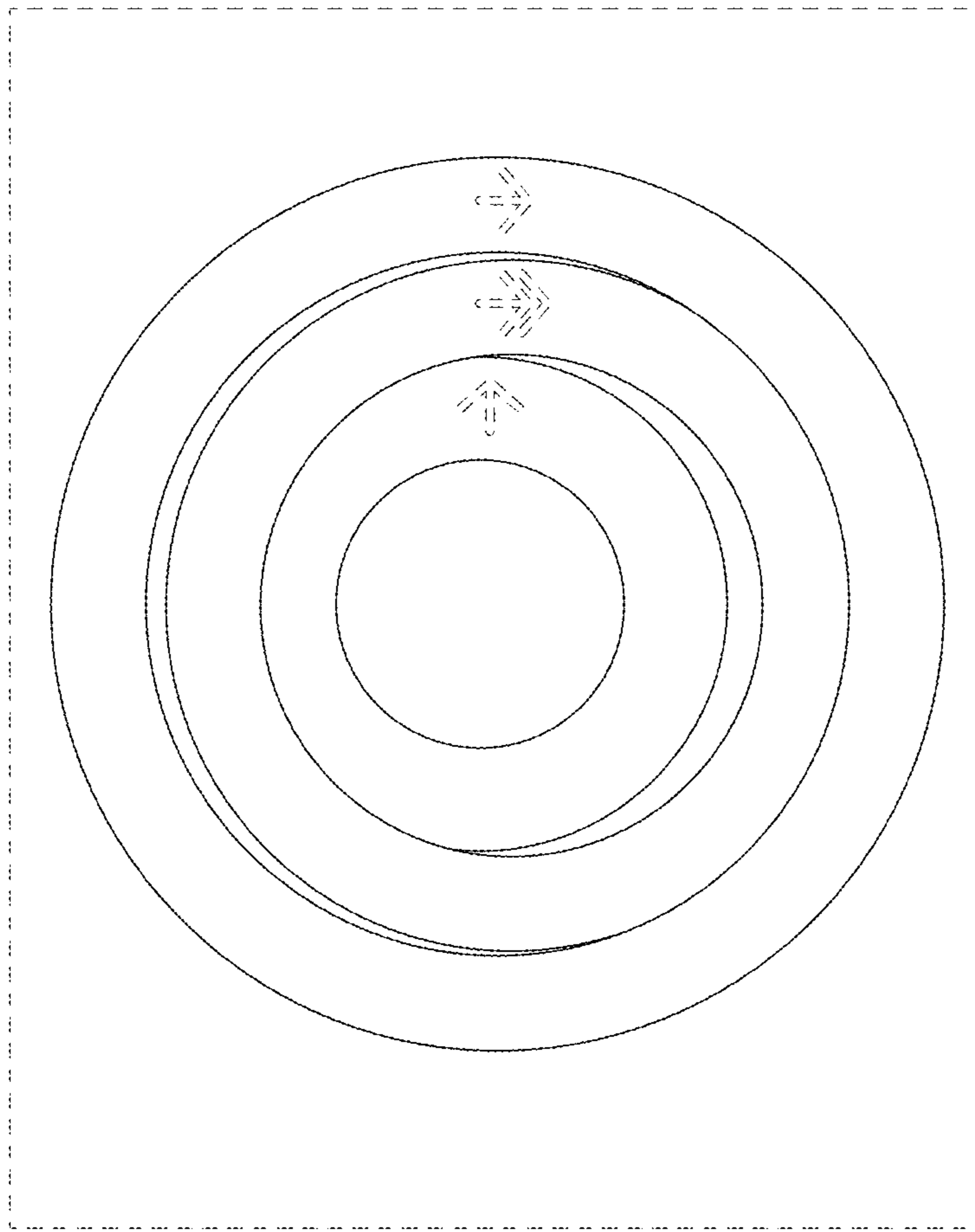


FIG. 2

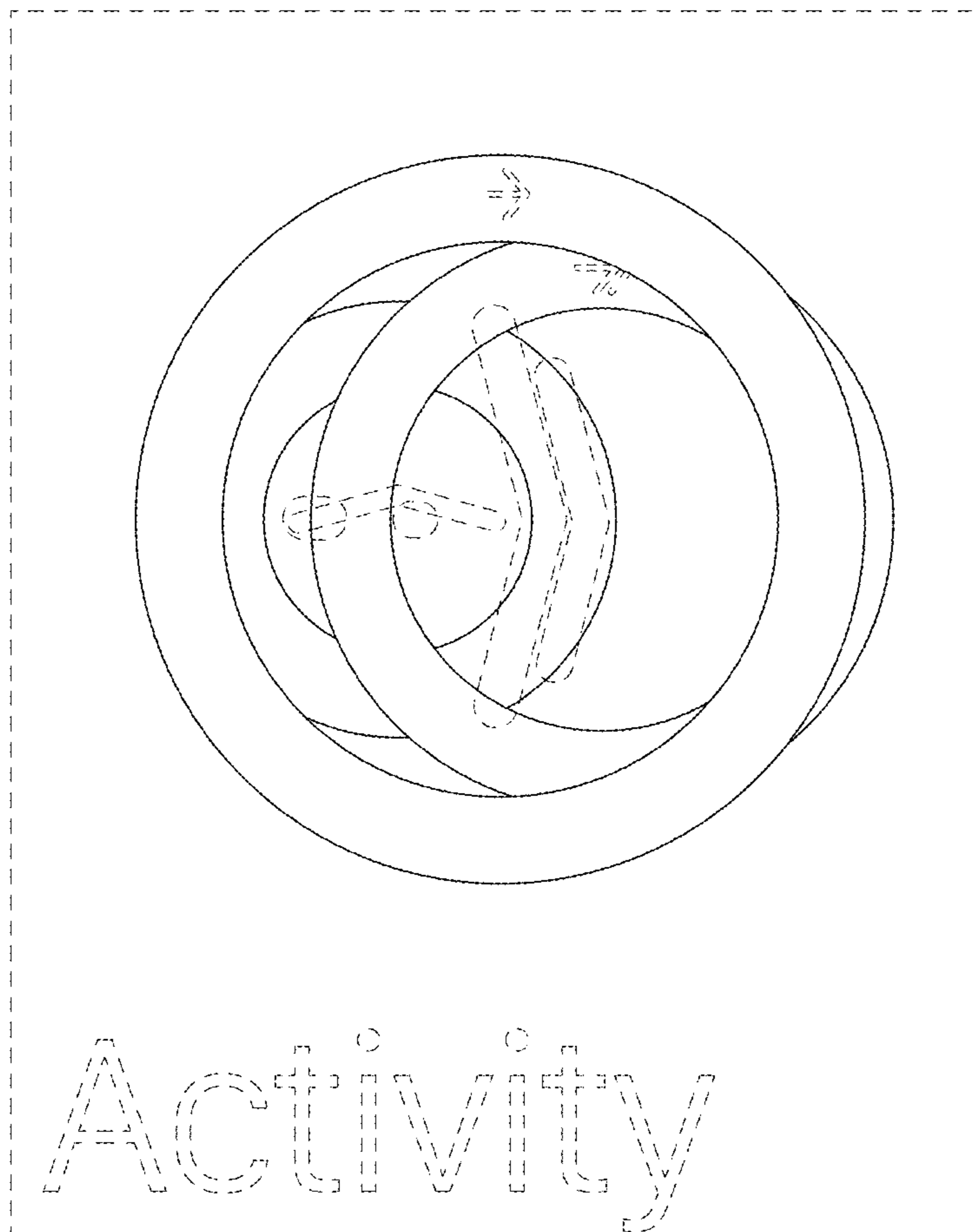


FIG. 3

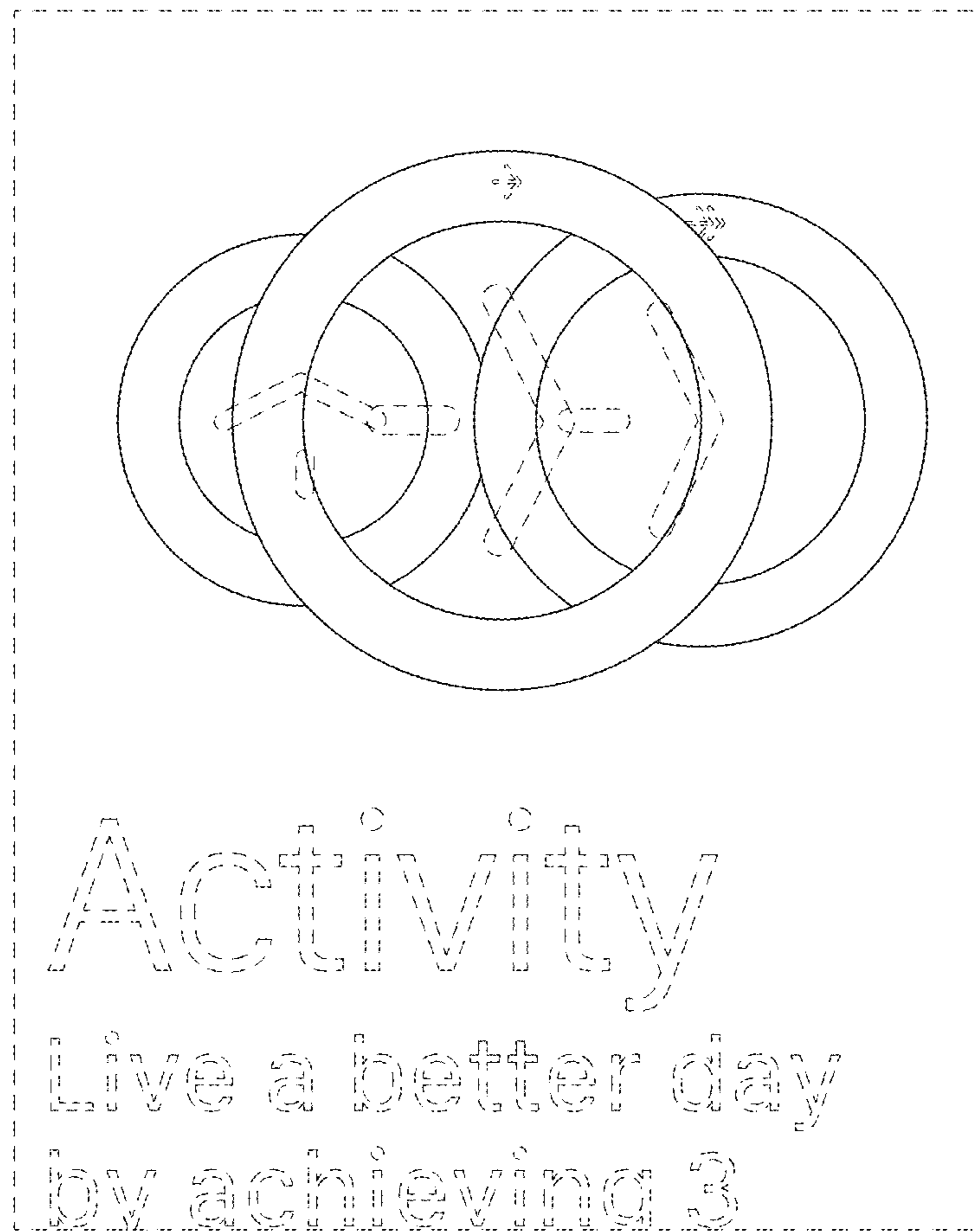


FIG. 4

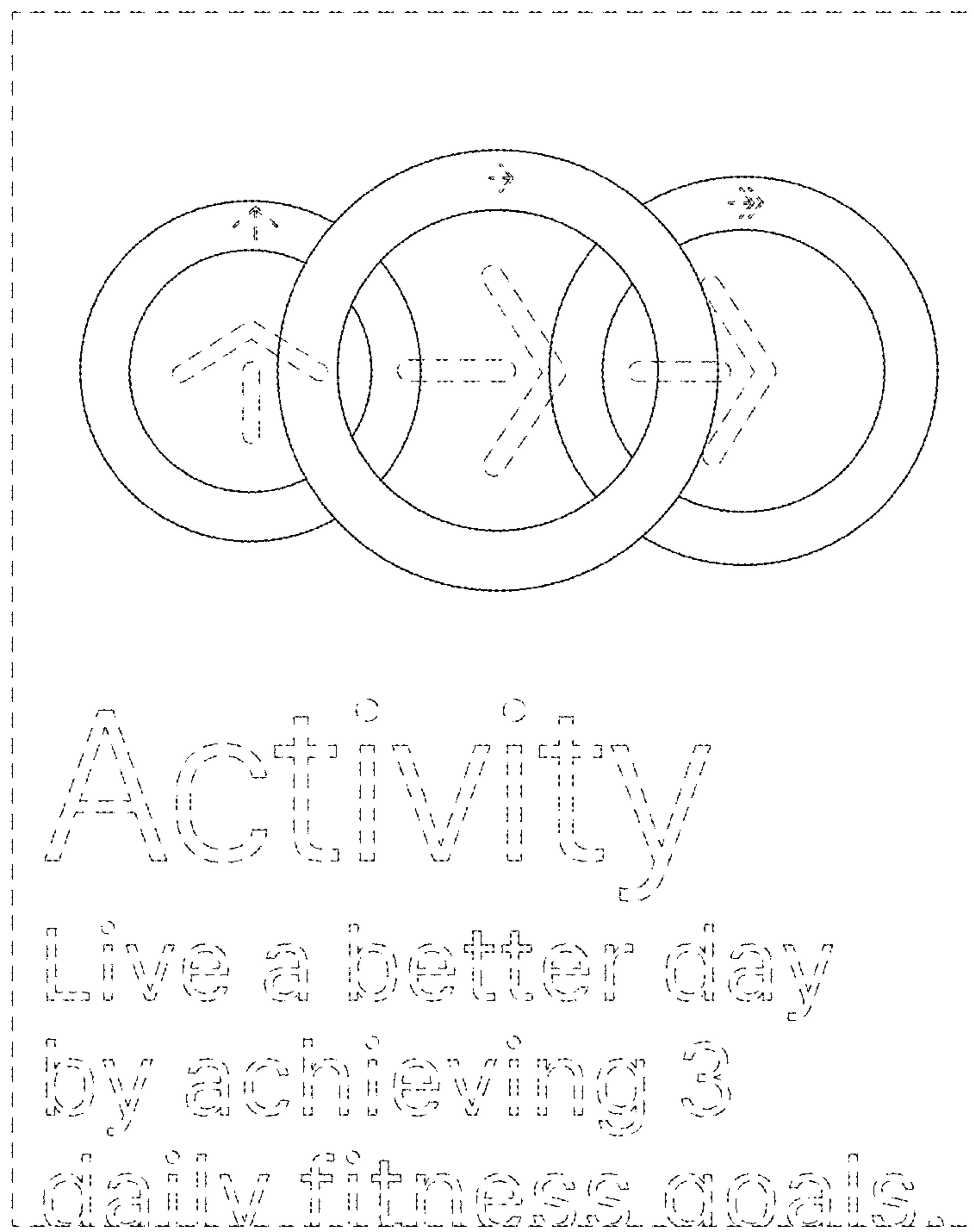


FIG. 5

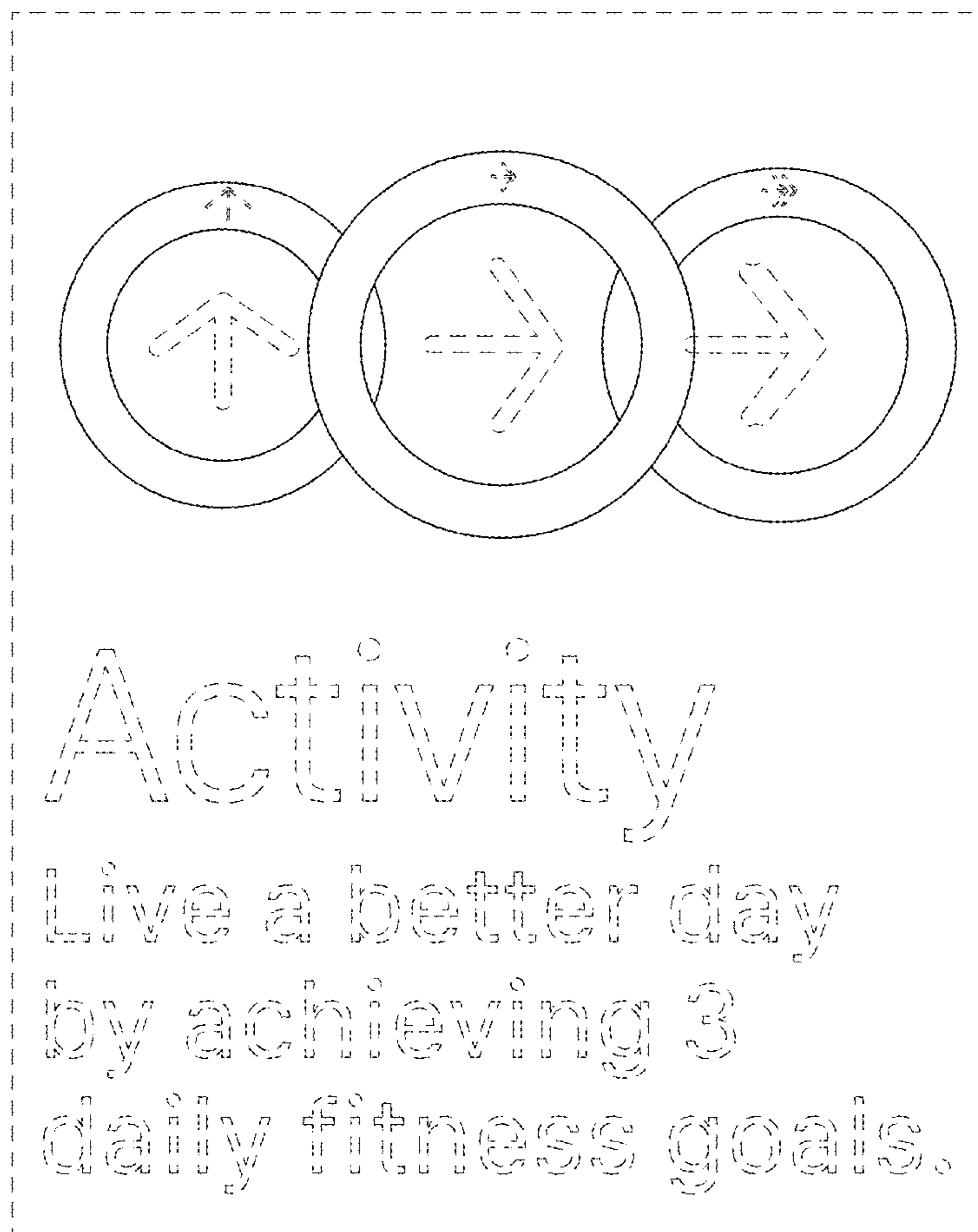


FIG. 6

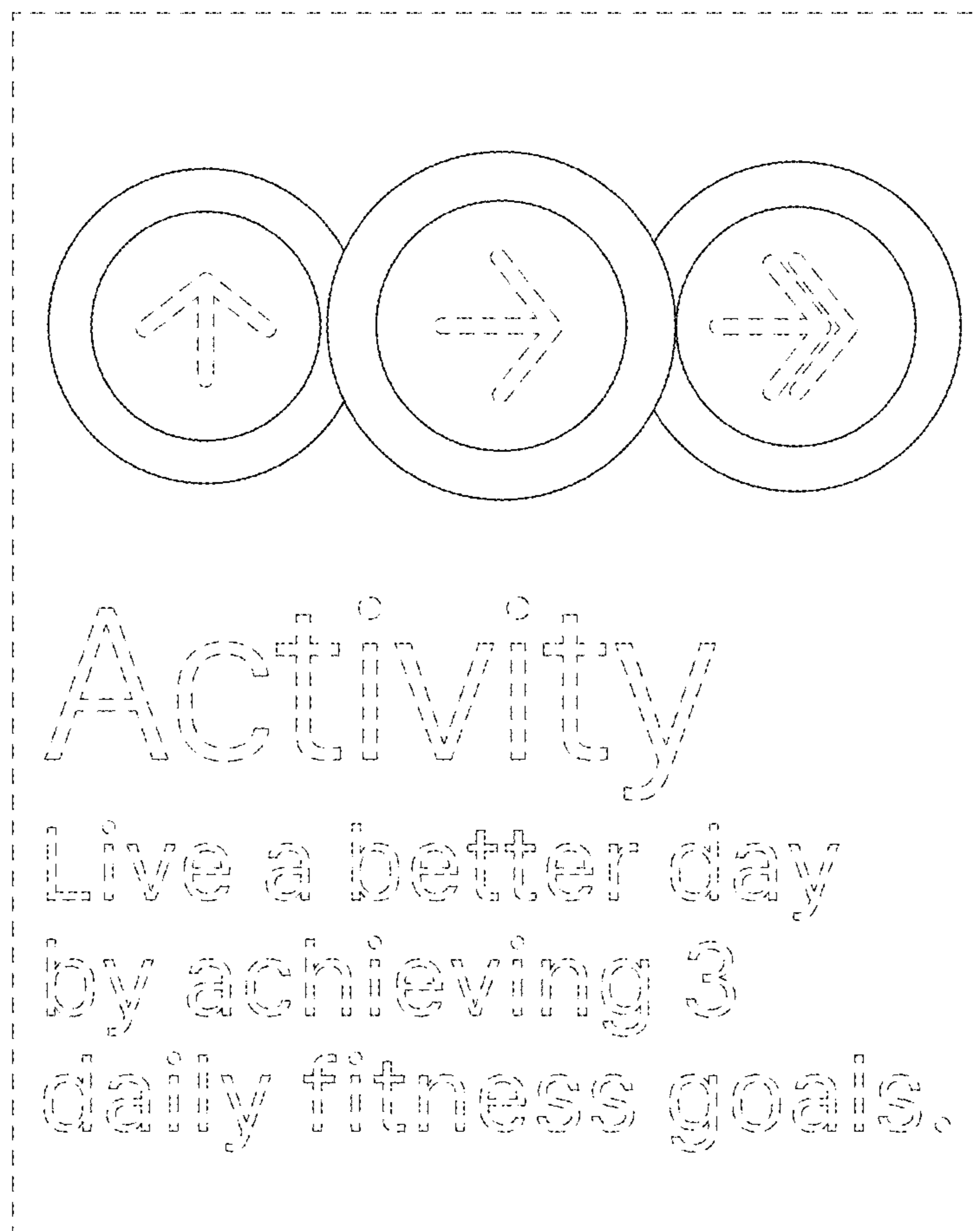


FIG. 7



FIG. 8

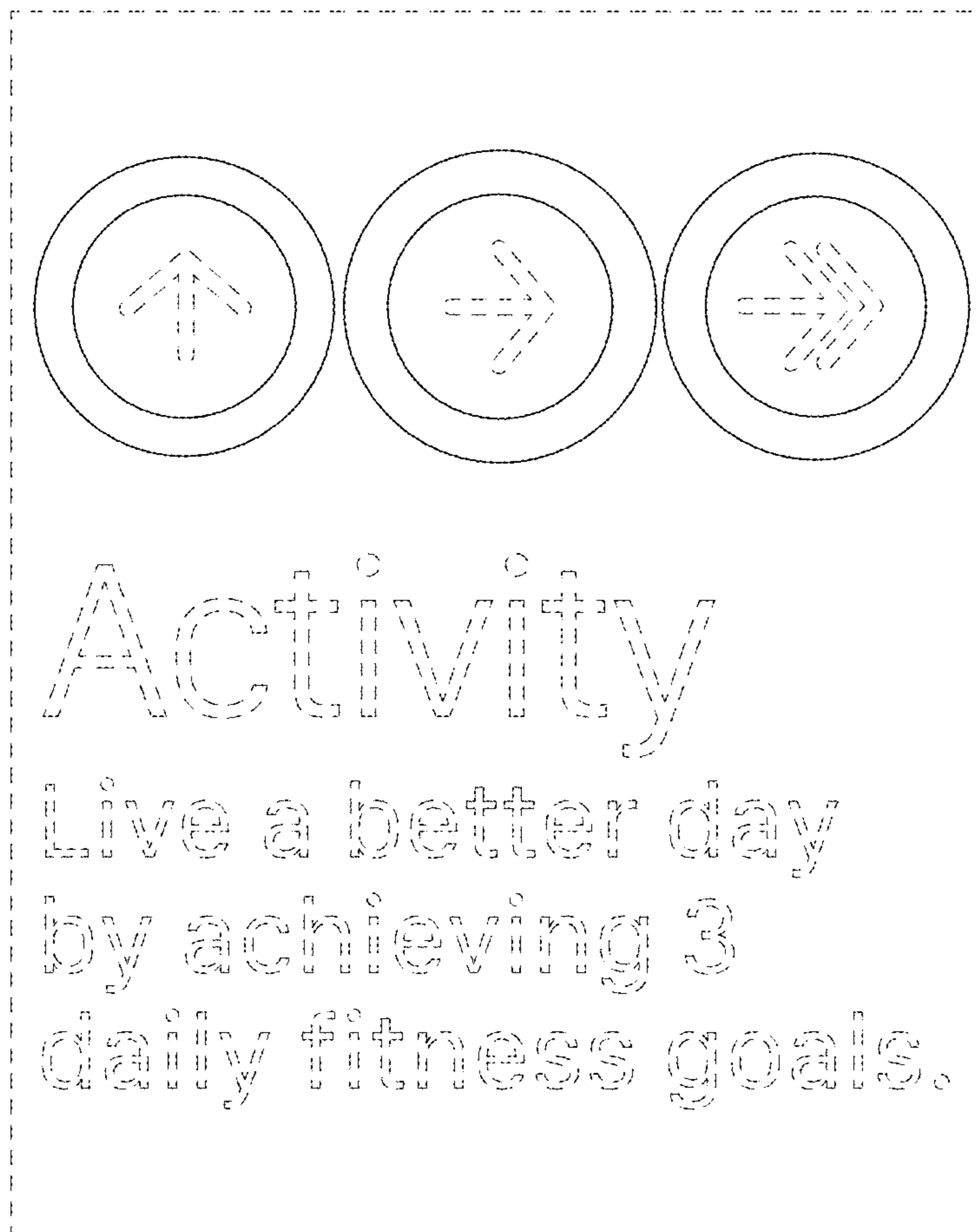


FIG. 9



FIG. 10