



US00D805528S

(12) **United States Design Patent**
Hersh et al.

(10) **Patent No.:** **US D805,528 S**

(45) **Date of Patent:** **** Dec. 19, 2017**

(54) **DISPLAY SCREEN OR PORTION THEREOF WITH ANIMATED GRAPHICAL USER INTERFACE**

(71) Applicant: **Smule, Inc.**, San Francisco, CA (US)

(72) Inventors: **Benjamin Hersh**, San Francisco, CA (US); **John Shimmin**, San Francisco, CA (US); **Jeannie Yang**, San Francisco, CA (US); **Perry R. Cook**, Jacksonville, OR (US)

(73) Assignee: **Smule, Inc.**, San Francisco, CA (US)

(**) Term: **15 Years**

(21) Appl. No.: **29/566,239**

(22) Filed: **May 27, 2016**

Related U.S. Application Data

(63) Continuation-in-part of application No. 14/879,075, filed on Oct. 8, 2015, now abandoned.

(51) **LOC (10) Cl.** **14-04**

(52) **U.S. Cl.**
USPC **D14/485**

(58) **Field of Classification Search**
USPC D14/485-486, 487, 488-495
CPC G06Q 50/01; H04L 51/32; G06T 13/80; G06F 3/0481; A63F 2300/308; A63F 13/53

See application file for complete search history.

(56) **References Cited**

U.S. PATENT DOCUMENTS

D599,371 S *	9/2009	Brown	D14/485
D627,365 S *	11/2010	Brinda	D14/488
D638,432 S *	5/2011	Flik	D14/486
D650,793 S *	12/2011	Impas	D14/489
D665,423 S *	8/2012	Impas	D14/493

D689,089 S *	9/2013	Impas	D14/489
D701,513 S *	3/2014	Park	D14/485
D732,556 S *	6/2015	Shunock	D14/486
D732,557 S *	6/2015	Shunock	D14/486
D736,810 S *	8/2015	Hisada	D14/486
D737,299 S *	8/2015	Hisada	D14/486
D737,300 S *	8/2015	Hisada	D14/486
D754,683 S *	4/2016	Moon	D14/485
D756,401 S *	5/2016	Soldner	D14/488
D762,704 S *	8/2016	Li	D14/488
D764,537 S *	8/2016	Kadosh	D14/489
9,413,794 B1 *	8/2016	Saylor	H04L 65/4076
D771,106 S *	11/2016	Kim	D14/486
2008/0307320 A1 *	12/2008	Payne	G06F 3/0481 715/751

(Continued)

Primary Examiner — Robin V Webster

Assistant Examiner — Rachel A Voorhies

(74) *Attorney, Agent, or Firm* — Haynes and Boone, LLP

(57) **CLAIM**

The ornamental design for a display screen or portion thereof with animated graphical user interface, as shown and described.

DESCRIPTION

FIG. 1 is a front view of a first image of a display screen or portion thereof with animated graphical user interface showing our new design;

FIG. 2 is a front view of a second image thereof;

FIG. 3 is a front view of a third image thereof;

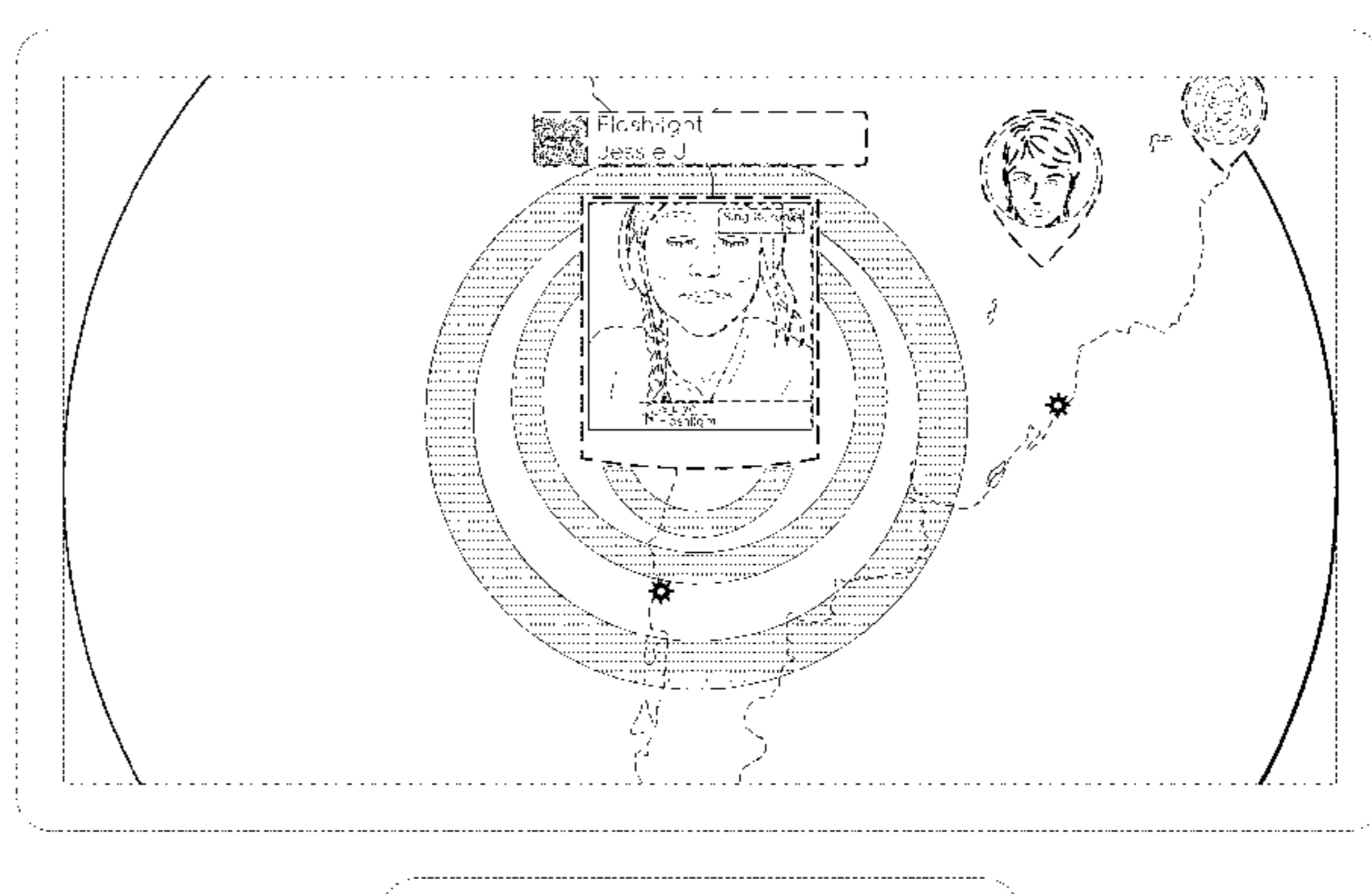
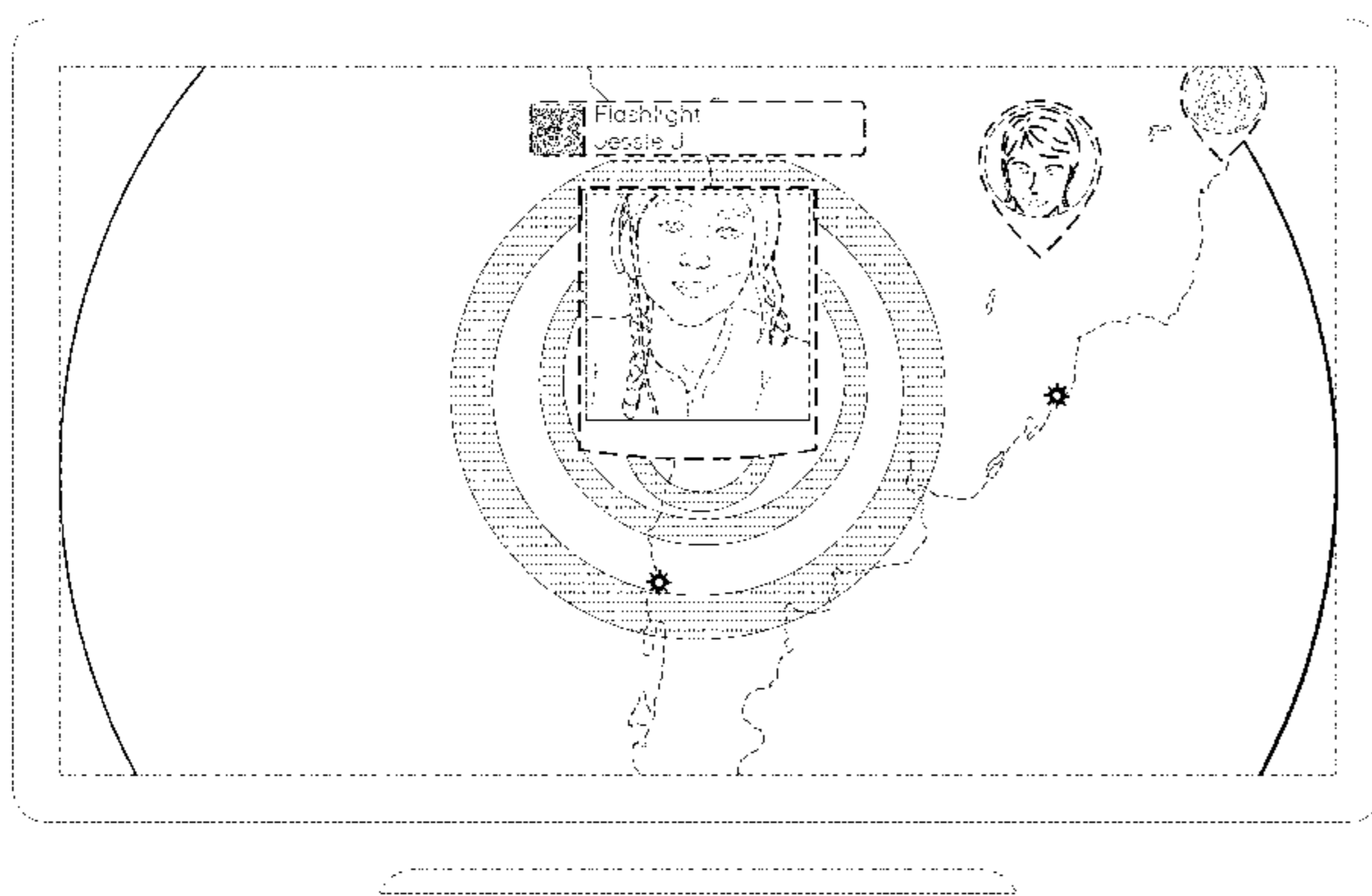
FIG. 4 is a front view of a fourth image thereof; and,

FIG. 5 is a front view of a fifth image thereof.

The appearance of the animated images transitions between the images shown in FIGS. 1-5. The process or period in which one image transitions to another forms no part of the claimed design.

The broken lines in the figure show a display or portion thereof and portions of the graphical user interface which form no part of the claimed design.

1 Claim, 5 Drawing Sheets



(56)

References Cited

U.S. PATENT DOCUMENTS

2011/0271192 A1* 11/2011 Jones G06F 3/0421
715/727
2012/0304087 A1* 11/2012 Walkin G06F 17/30241
715/764
2012/0330720 A1* 12/2012 Pickton G06Q 10/101
705/7.31
2013/0073473 A1* 3/2013 Heath G06Q 30/02
705/319
2013/0073970 A1* 3/2013 Piantino G06Q 50/01
715/738
2013/0132384 A1* 5/2013 Bohm G06F 17/30283
707/736
2013/0204940 A1* 8/2013 Kinsel G06Q 30/02
709/204
2013/0227434 A1* 8/2013 Jones H04L 65/403
715/753
2014/0089816 A1* 3/2014 DiPersia G06F 3/0484
715/753
2014/0317194 A1* 10/2014 De Rosa H04N 1/00312
709/204
2015/0113447 A1* 4/2015 Lineberger G06Q 30/0255
715/758
2015/0134603 A1* 5/2015 Melamed G06F 11/1453
707/609
2015/0245168 A1* 8/2015 Martin H04W 4/02
715/751
2015/0310507 A1* 10/2015 Woodward H04L 51/32
705/329
2016/0021153 A1* 1/2016 Hull H04L 65/403
715/753
2016/0034426 A1* 2/2016 Khanwalkar G06Q 50/01
715/277

* cited by examiner

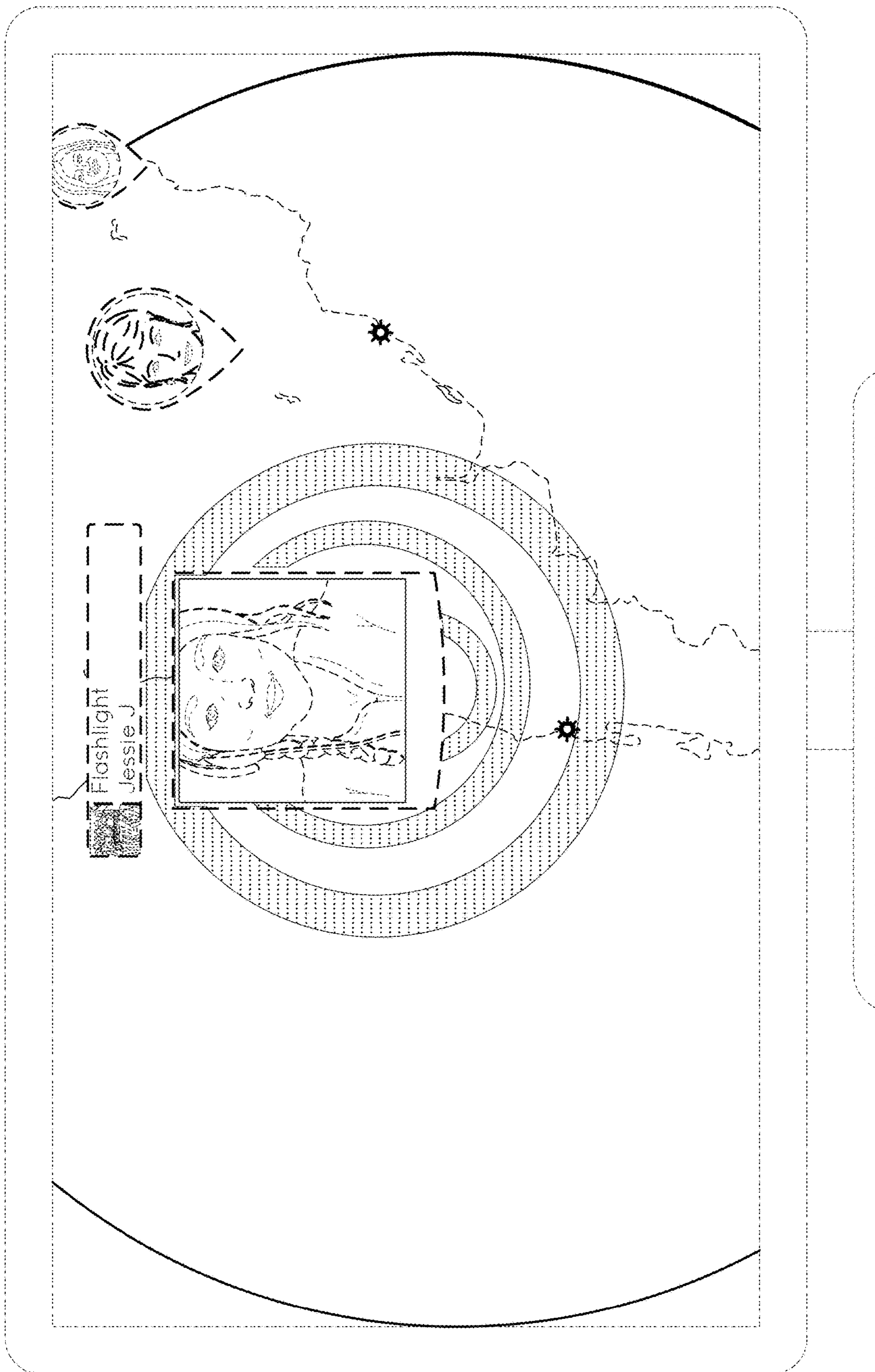


Fig. 1

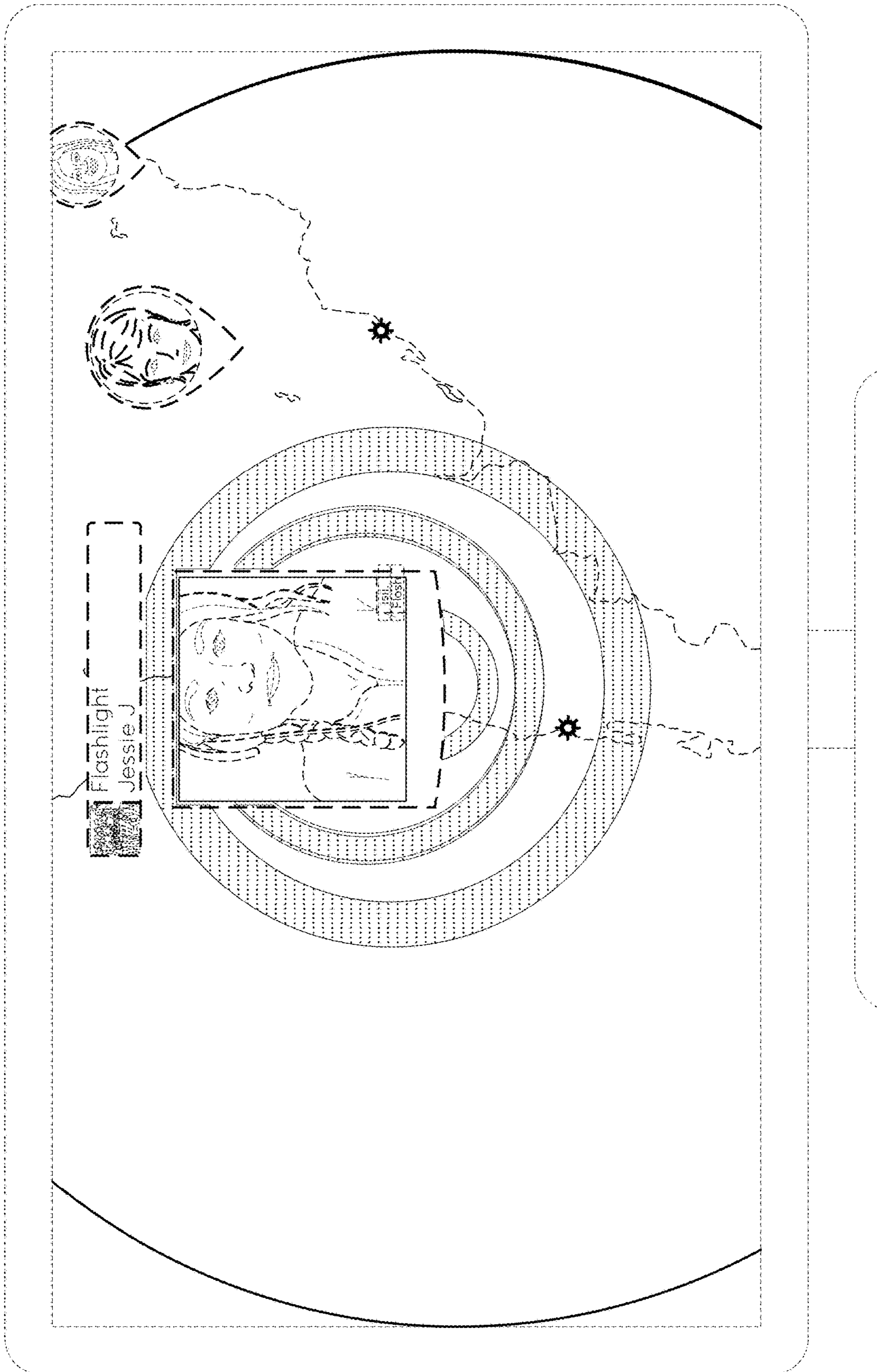


Fig. 2

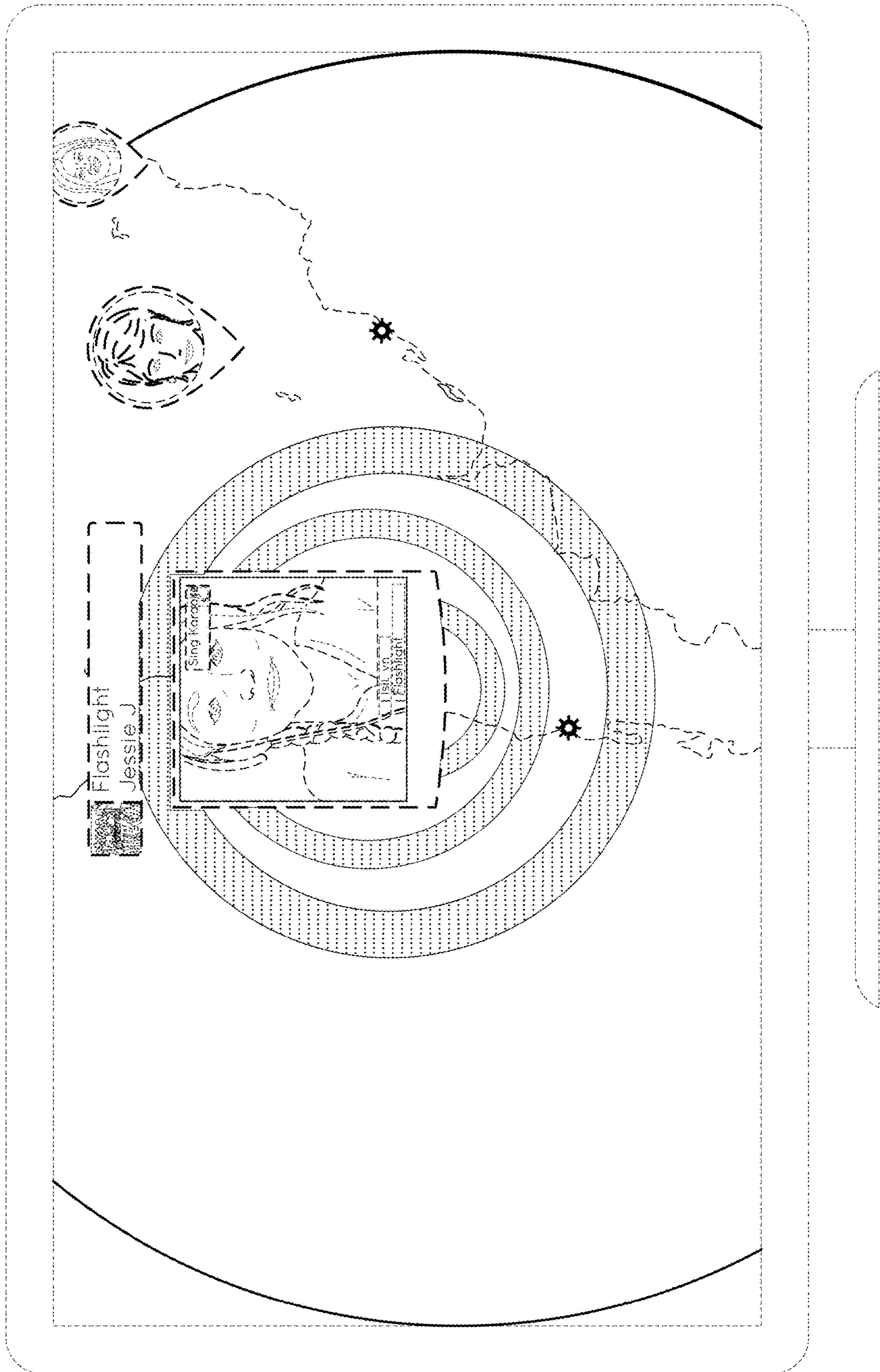


Fig. 3

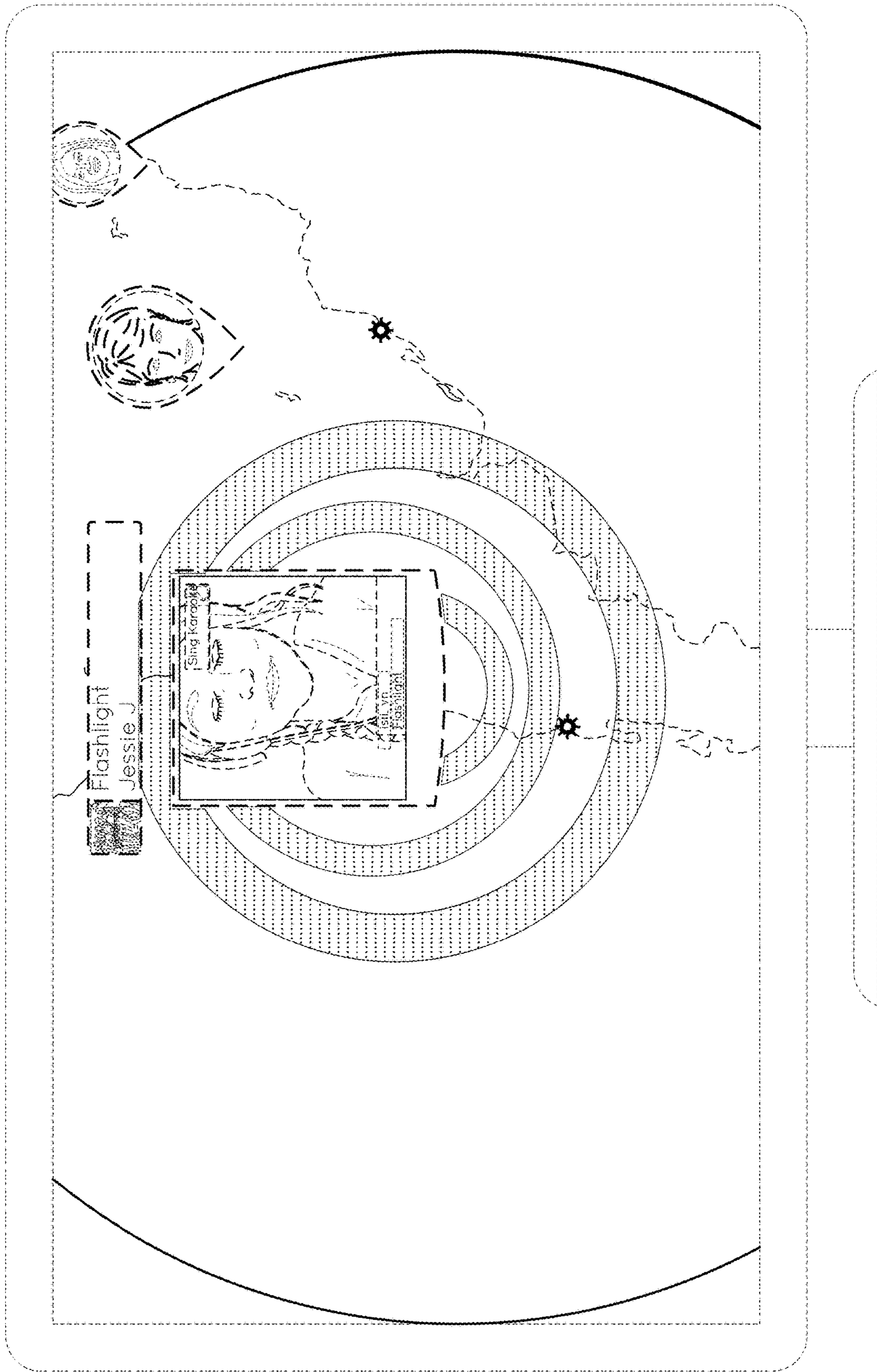


Fig. 4

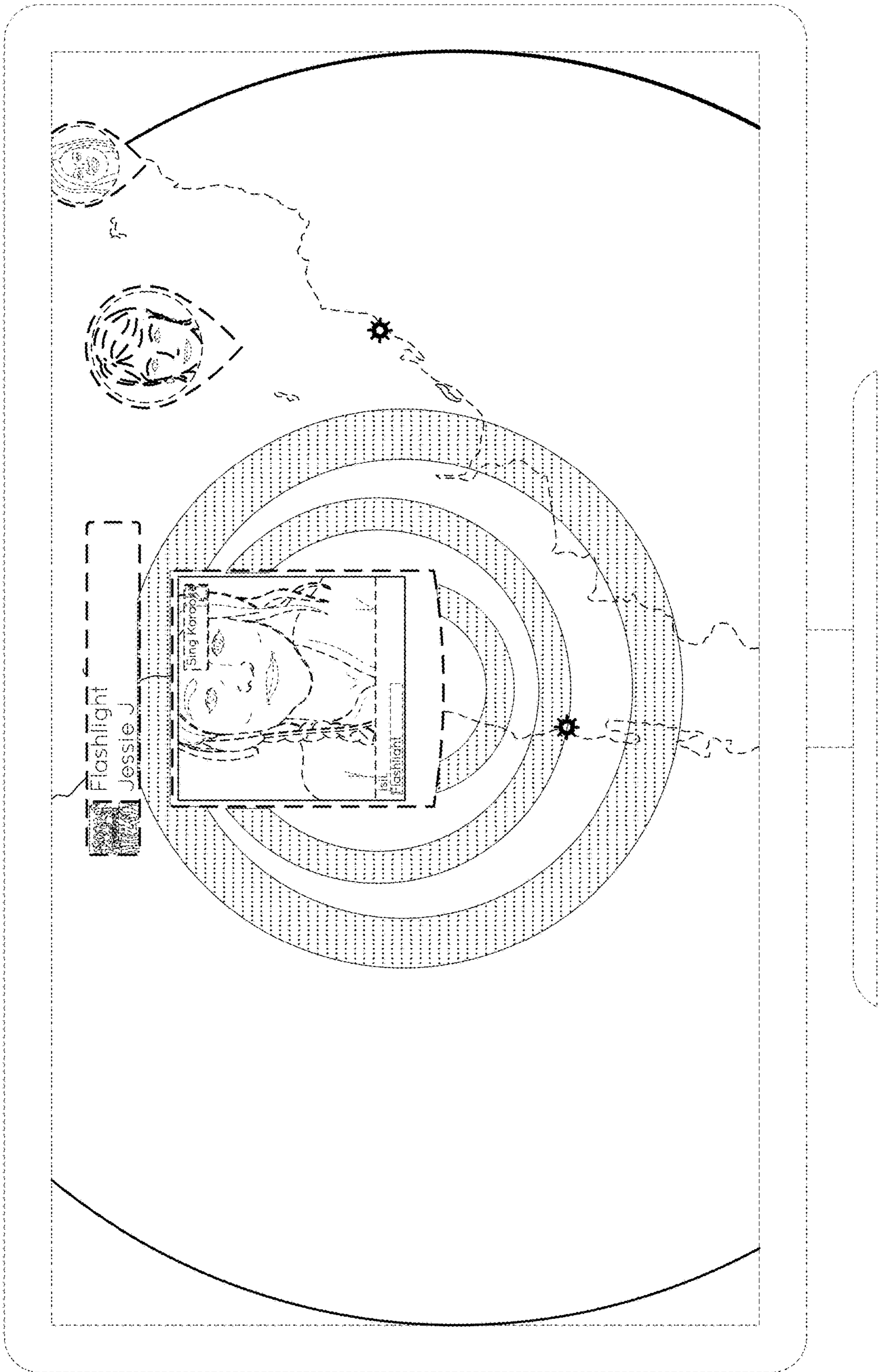


Fig. 5