



US00D805527S

(12) **United States Design Patent**
Ternoey

(10) **Patent No.:** **US D805,527 S**

(45) **Date of Patent:** **** Dec. 19, 2017**

(54) **DISPLAY SCREEN PORTION WITH ANIMATED GRAPHICAL USER INTERFACE**

(71) Applicant: **Chris Steven Ternoey**, Lucerne (CH)

(72) Inventor: **Chris Steven Ternoey**, Lucerne (CH)

(**) Term: **15 Years**

(21) Appl. No.: **29/563,489**

(22) Filed: **May 5, 2016**

(51) **LOC (10) Cl.** **14-04**

(52) **U.S. Cl.**
USPC **D14/485**

(58) **Field of Classification Search**
CPC .. G06F 3/048; G06F 3/04842; G06F 3/04847;
G06F 3/0481; G06F 17/211; G06F
17/212
See application file for complete search history.

(56) **References Cited**

U.S. PATENT DOCUMENTS

D599,806 S *	9/2009	Brown	D14/485
D625,323 S *	10/2010	Matsushima	D14/487
D638,853 S *	5/2011	Brinda	D14/488
D651,608 S *	1/2012	Allen	D14/485

(Continued)

FOREIGN PATENT DOCUMENTS

JP	2005 242176 A1	9/2005
KR	101071969 B1	10/2011
KR	101462091 B1	12/2014

OTHER PUBLICATIONS

Wikipedia, 2048 (video game), [https://en.wikipedia.org/wiki/2048_\(video_game\)](https://en.wikipedia.org/wiki/2048_(video_game)), last viewed Apr. 16, 2016.

(Continued)

Primary Examiner — Darlington Ly

Assistant Examiner — Daniel J Domino

(74) *Attorney, Agent, or Firm* — Mark Nowotarski

(57) **CLAIM**

The ornamental design for a display screen portion with animated graphical user interface, as shown and described.

DESCRIPTION

FIG. 1 is the first image in a sequence for a display screen portion with animated graphical user interface showing our new design;

FIG. 2 is a 2nd image thereof;

FIG. 3 is a 3rd image thereof;

FIG. 4 is a 4th image thereof;

FIG. 5 is a 5th image thereof;

FIG. 6 is a 6th image thereof;

FIG. 7 is a 7th image thereof;

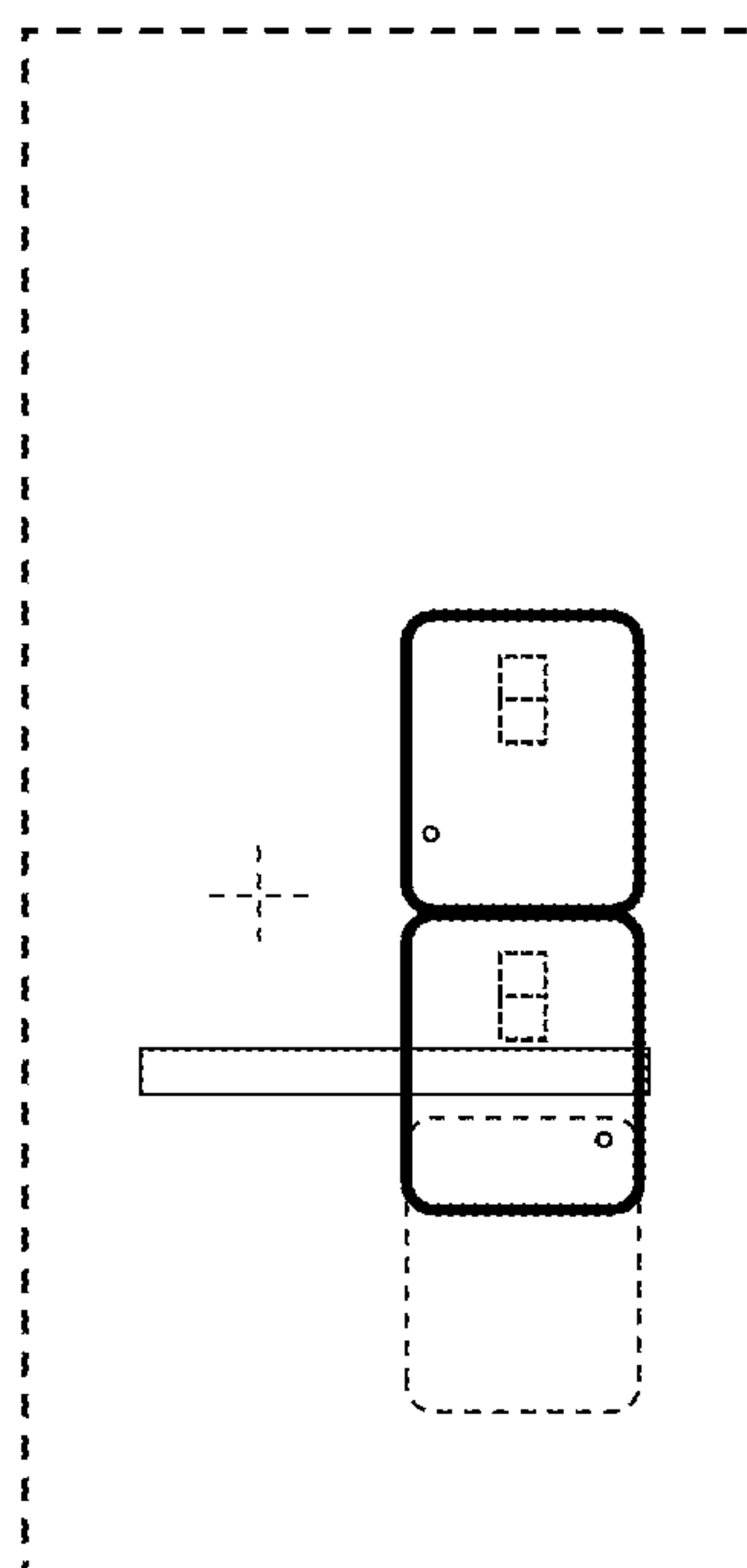
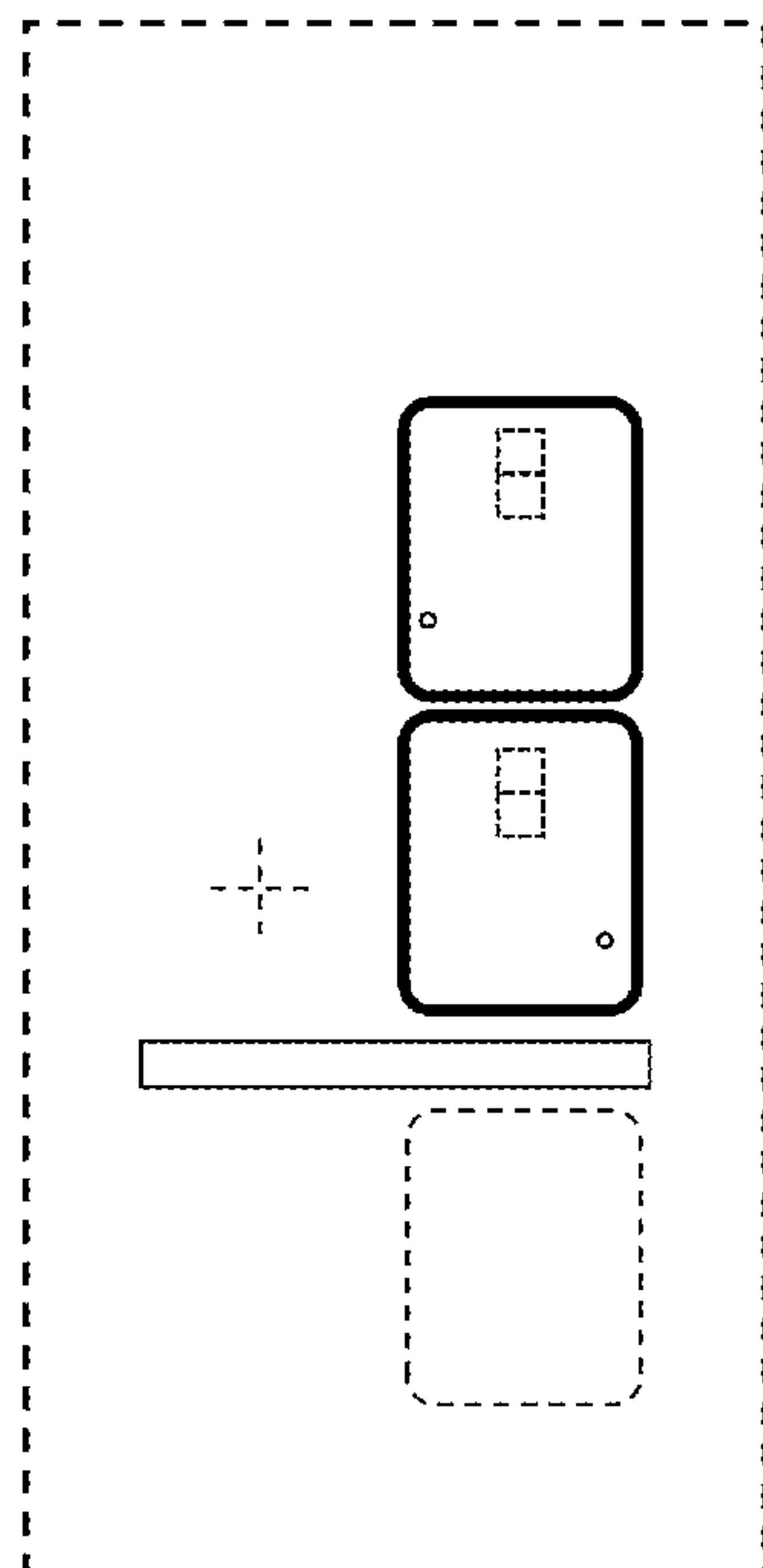
FIG. 8 is an 8th image thereof;

FIG. 9 is a 9th image thereof; and,

FIG. 10 is a 10th image thereof.

The broken lines showing a display screen portion and elements of the graphical user interface illustrate portions of the article, and form no part of the claimed design. The appearance of the animated graphical user interface transitions sequentially between the images shown from FIGS. 1-29. The process or period in which one image transitions to another forms no part of the claimed design.

1 Claim, 10 Drawing Sheets



(56)

References Cited

U.S. PATENT DOCUMENTS

D653,260 S * 1/2012 Vance D14/486
 D664,555 S * 7/2012 Gleasman D14/487
 D664,561 S * 7/2012 Gleasman D14/488
 D664,973 S * 8/2012 Gleasman D14/486
 D664,984 S * 8/2012 Lee D14/488
 D664,987 S * 8/2012 Gleasman D14/488
 D664,988 S * 8/2012 Gleasman D14/488
 D668,262 S * 10/2012 Gleasman D14/488
 D668,671 S * 10/2012 Zaman D14/488
 D669,493 S * 10/2012 Guss D14/487
 D695,777 S * 12/2013 Edwards D14/488
 D695,778 S * 12/2013 Edwards et al. D14/488
 D695,780 S * 12/2013 Edwards D14/488
 D695,781 S * 12/2013 Edwards D14/488
 D701,875 S * 4/2014 d'Amore D14/487
 D703,691 S * 4/2014 Brinda D14/488
 D705,244 S * 5/2014 Arnold D14/486
 D705,251 S * 5/2014 Pearson D14/488
 D714,821 S * 10/2014 Chand D14/487
 D716,339 S * 10/2014 Lee D14/487
 D718,332 S * 11/2014 Lacour D14/487
 D718,333 S * 11/2014 Lacour D14/487
 D720,770 S * 1/2015 Lacour D14/487
 D720,771 S * 1/2015 Lacour D14/487
 D721,382 S * 1/2015 Brinda D14/486
 D721,722 S * 1/2015 Lee D14/486
 D724,615 S * 3/2015 Brinda D14/486
 D725,670 S * 3/2015 Zhang D14/488

D736,247 S * 8/2015 Chen D14/488
 D736,248 S * 8/2015 Chen D14/488
 D738,910 S * 9/2015 Drozd et al. D14/488
 D746,866 S * 1/2016 Memoria D14/492
 D760,275 S * 6/2016 Zhang D14/488
 D760,770 S * 7/2016 Zhu D14/488
 D765,101 S * 8/2016 Park D14/485
 D766,308 S * 9/2016 Park D14/487
 D771,118 S * 11/2016 Yao D14/488
 D781,328 S * 3/2017 Fong D14/486
 D782,513 S * 3/2017 Park D14/486
 D784,375 S * 4/2017 Tanaka D14/486
 D789,956 S * 6/2017 Ortega D14/486
 D790,585 S * 6/2017 Kim D14/487
 D791,173 S * 7/2017 Hart D14/488
 D791,174 S * 7/2017 Hart D14/488
 D792,903 S * 7/2017 Park D14/486
 2006/0024649 A1 2/2006 Vernon
 2007/0218433 A1 9/2007 Vanova
 2015/0113456 A1* 4/2015 Li G06F 3/04842
 715/765

OTHER PUBLICATIONS

English Translation of JP 2005 242176 A published Sep. 8, 2005.
 English Translation of KR 101071969 B1 published Oct. 11, 2011.
 English Translation of KR 101462091 B1 published Dec. 9, 2014.
 Calculator images, Aug. 30, 2017.

* cited by examiner

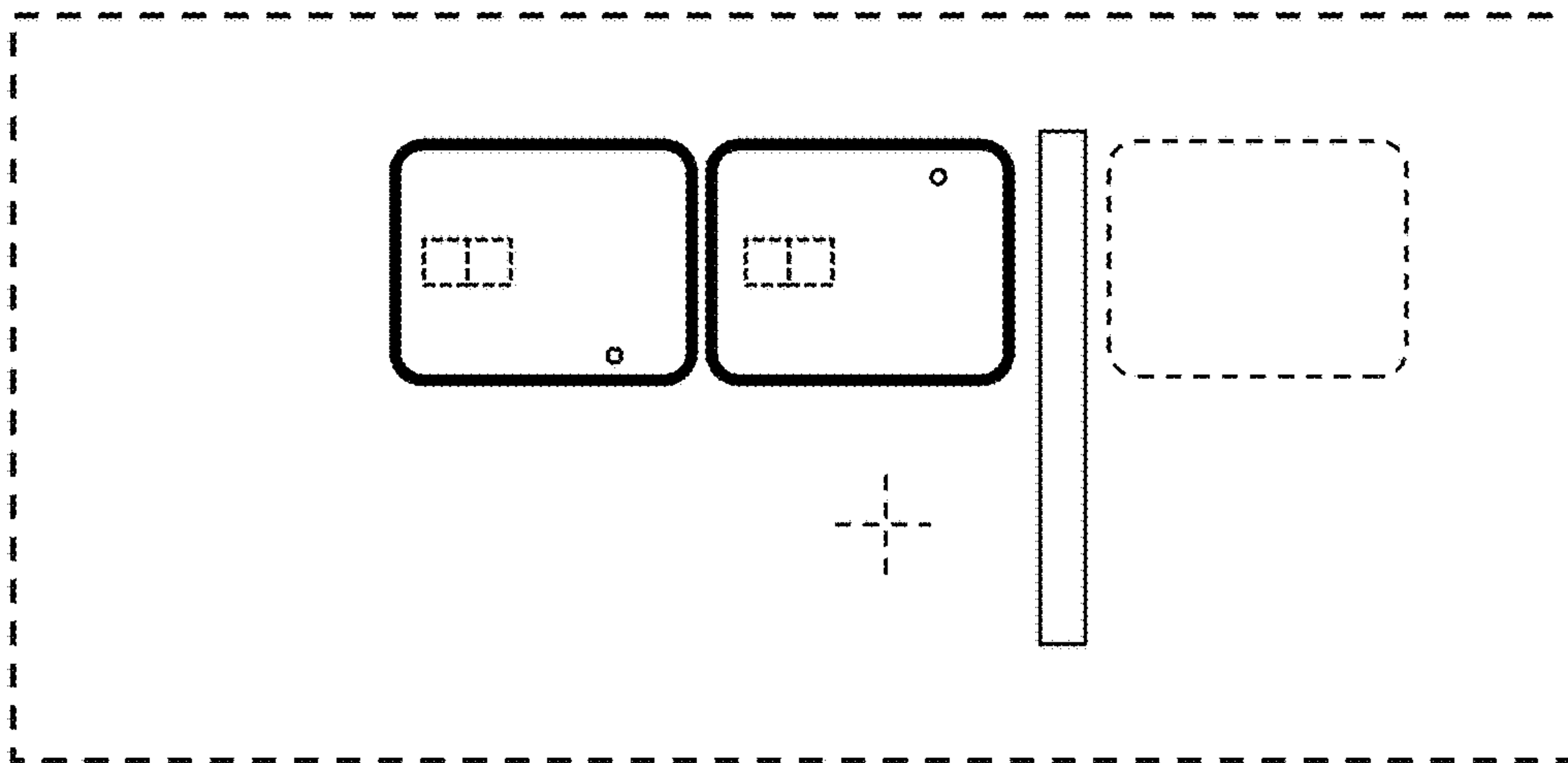


FIG. 1

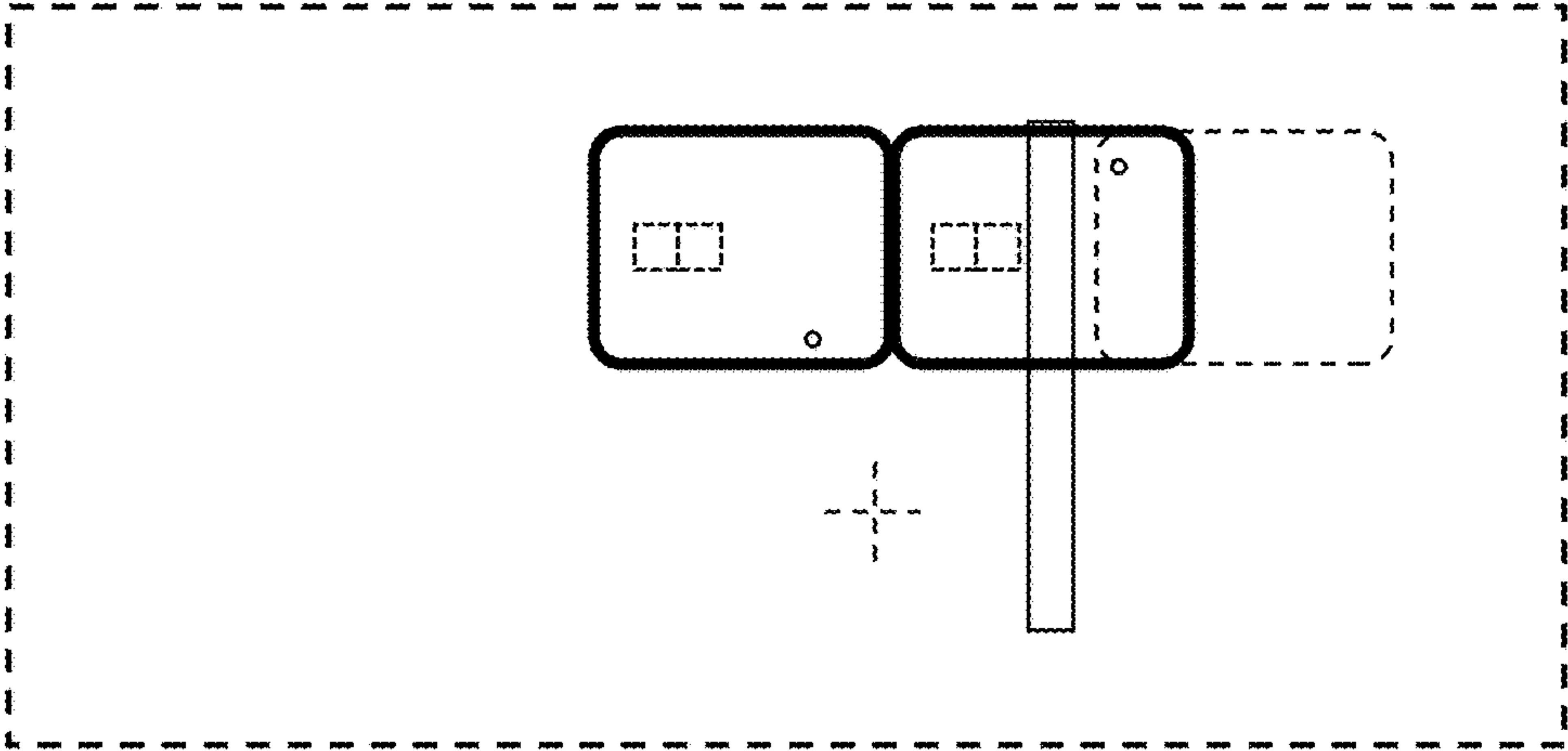


Fig. 2

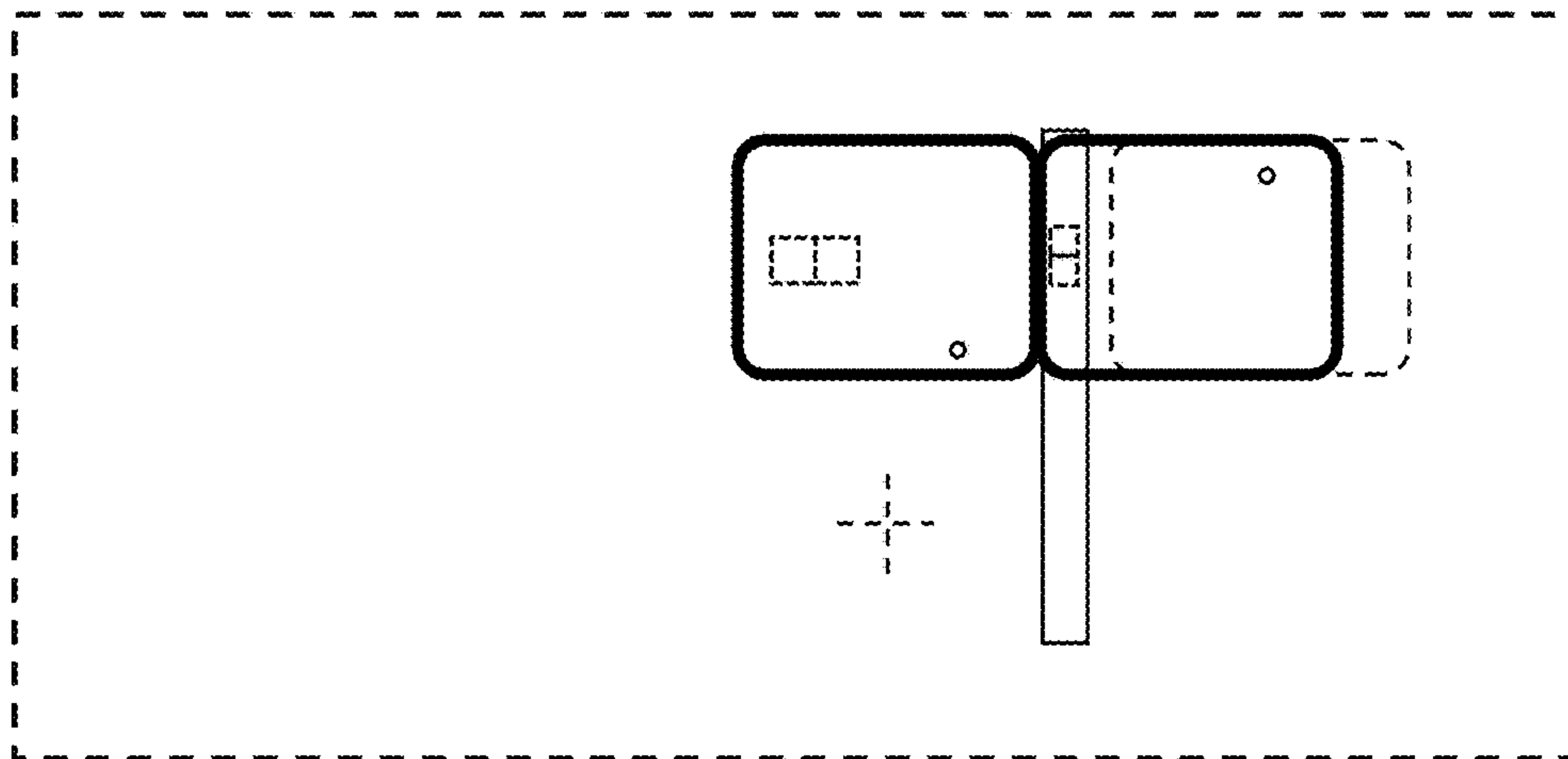


Fig. 3

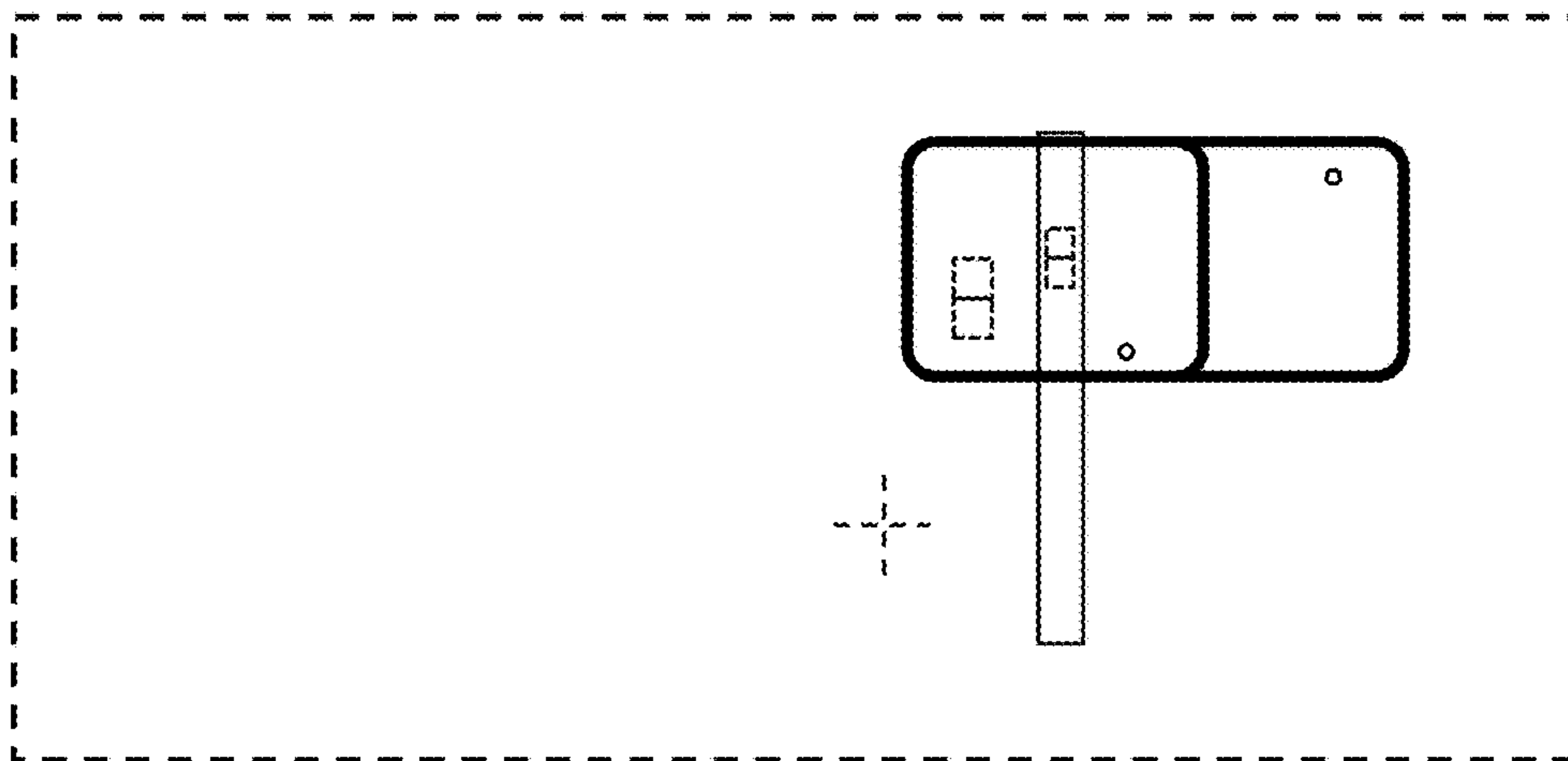


Fig. 4

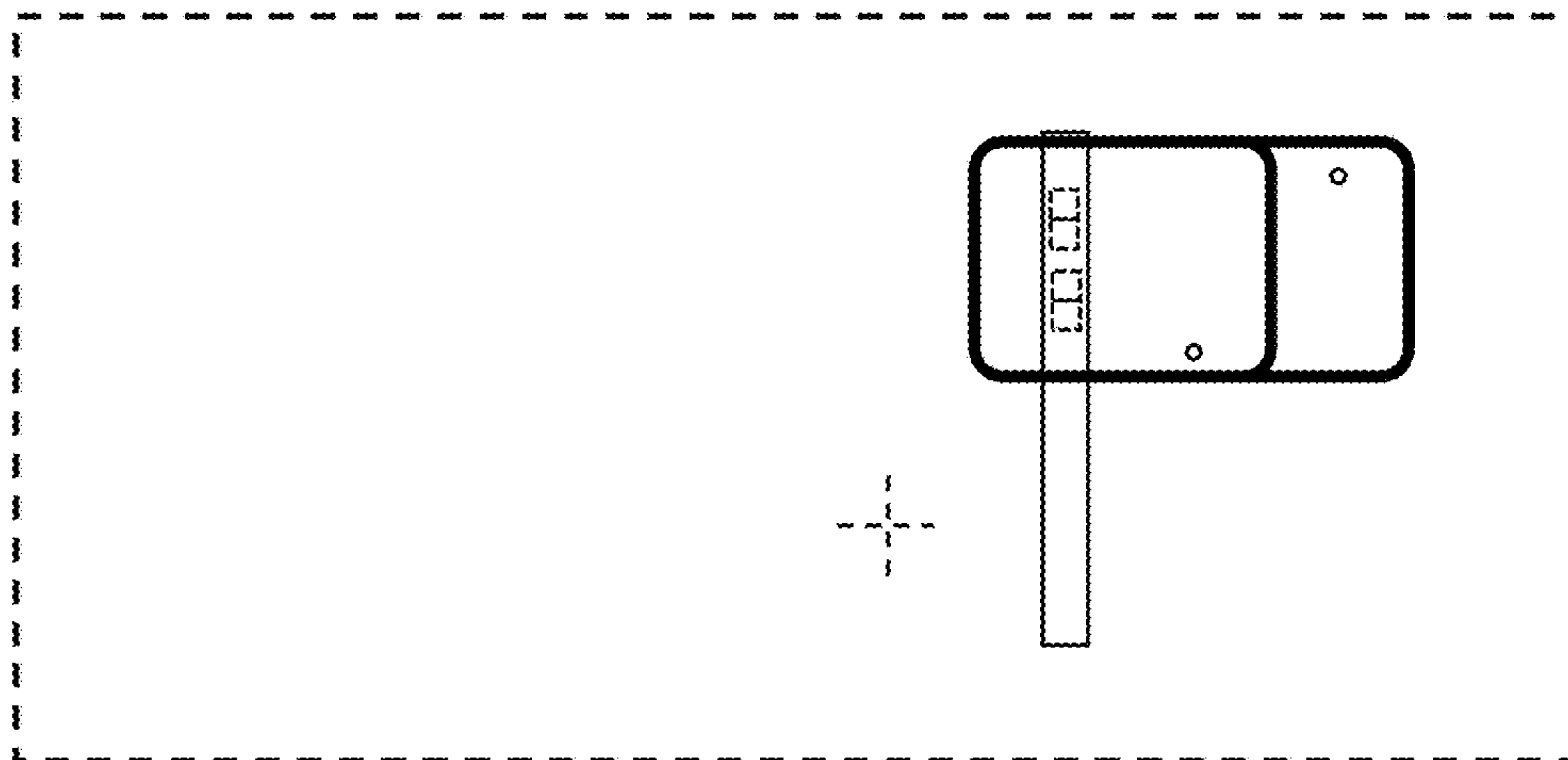


Fig. 5

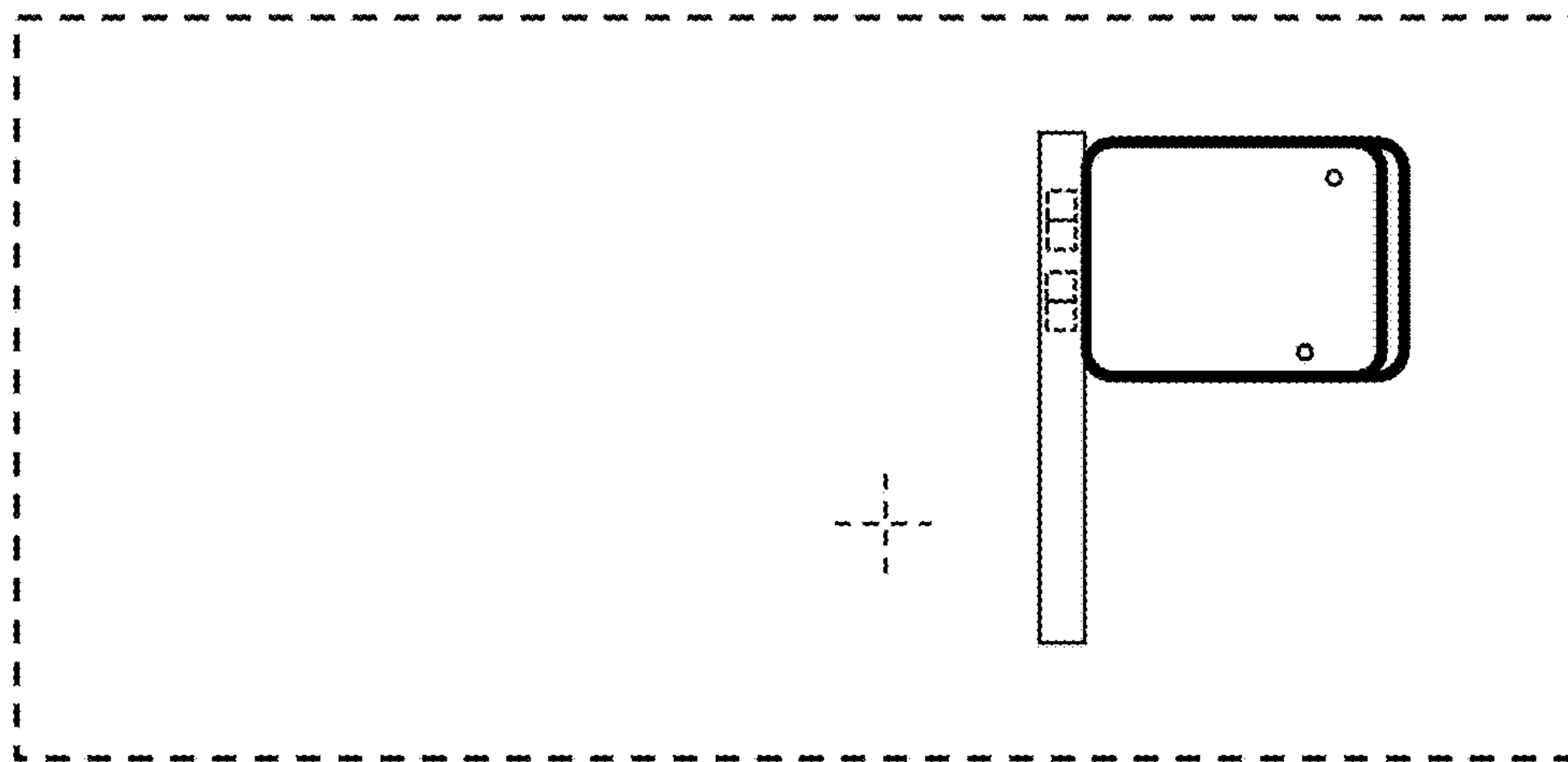


Fig. 6

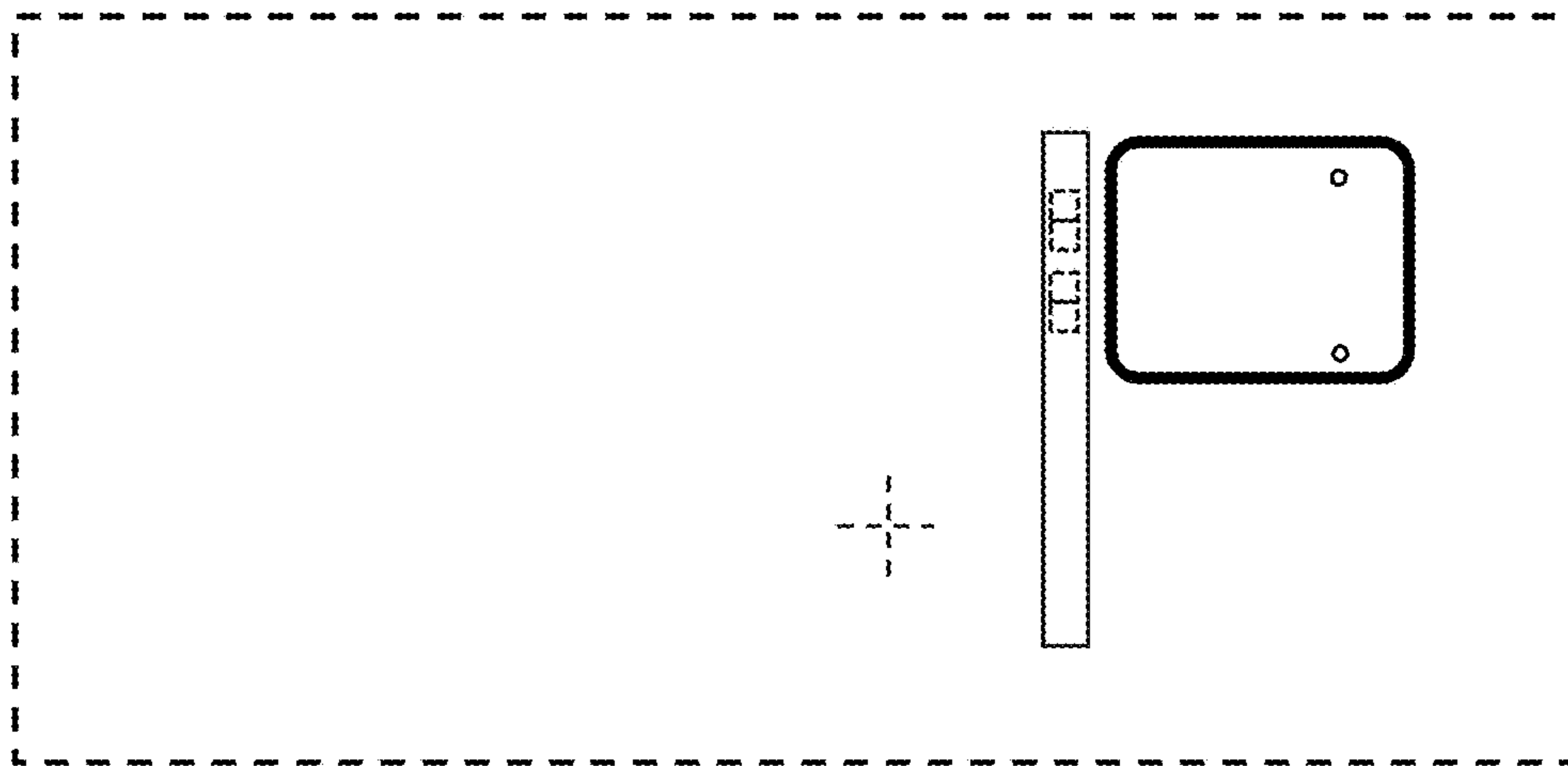


Fig. 7

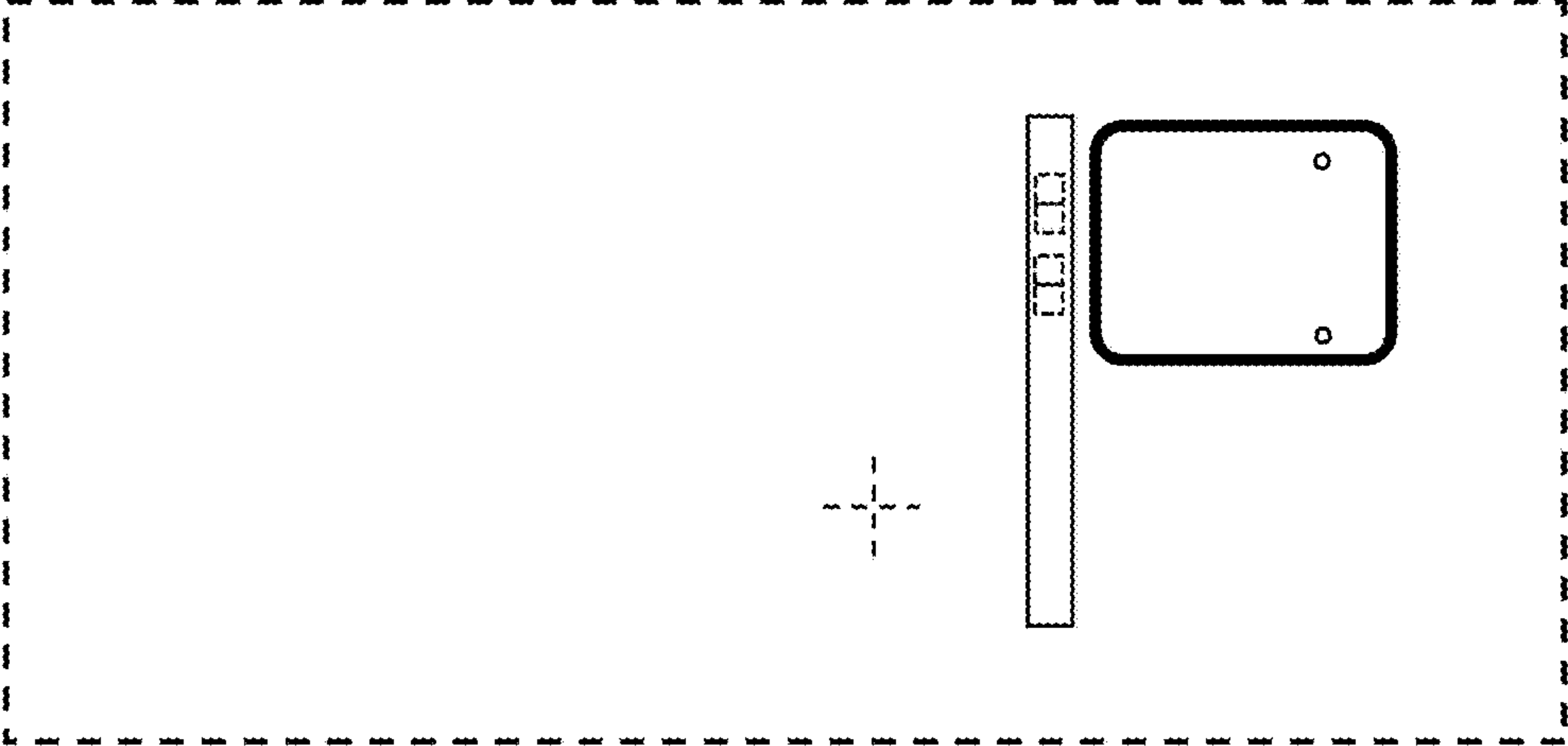


Fig. 8

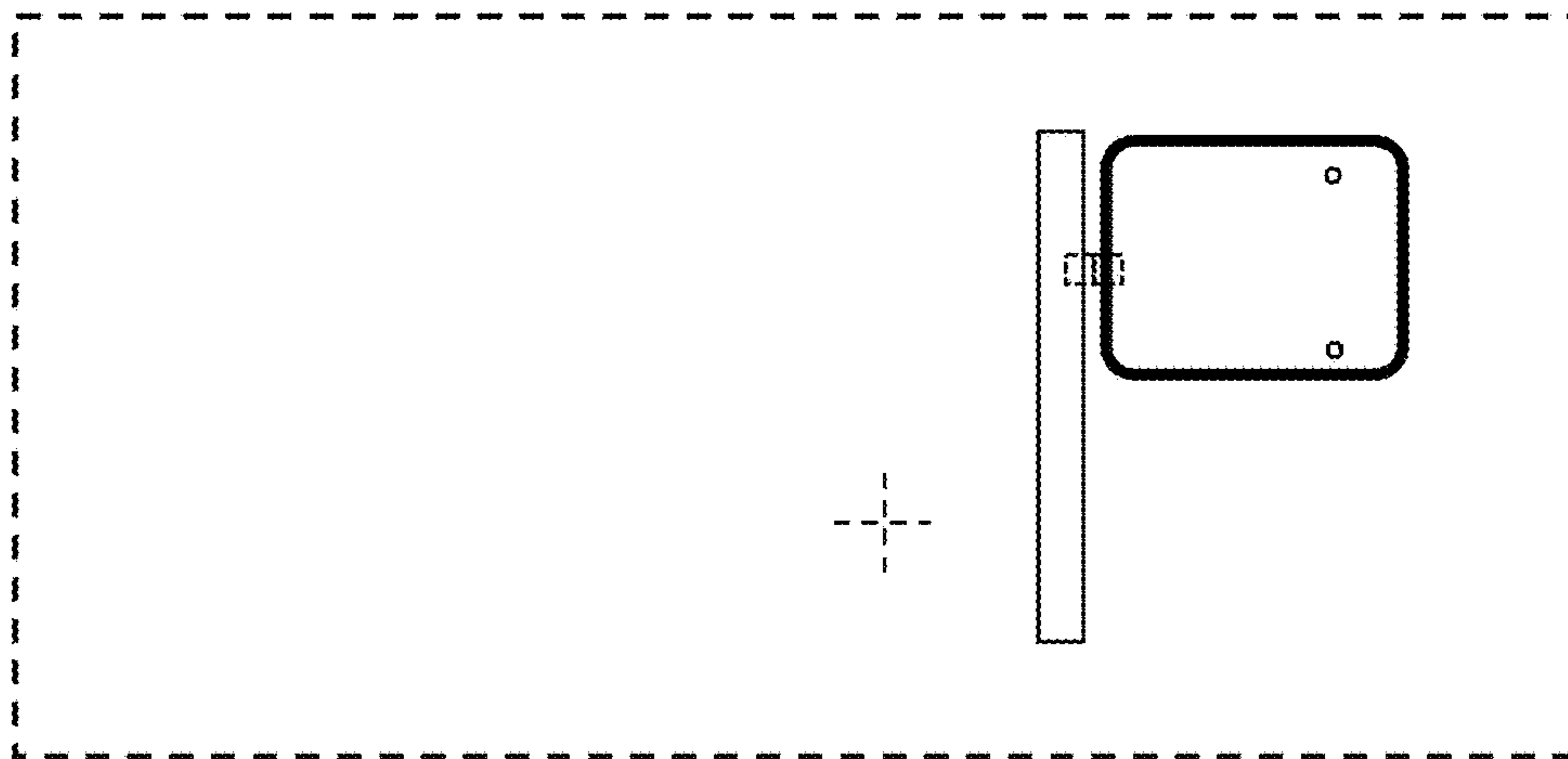


Fig. 9

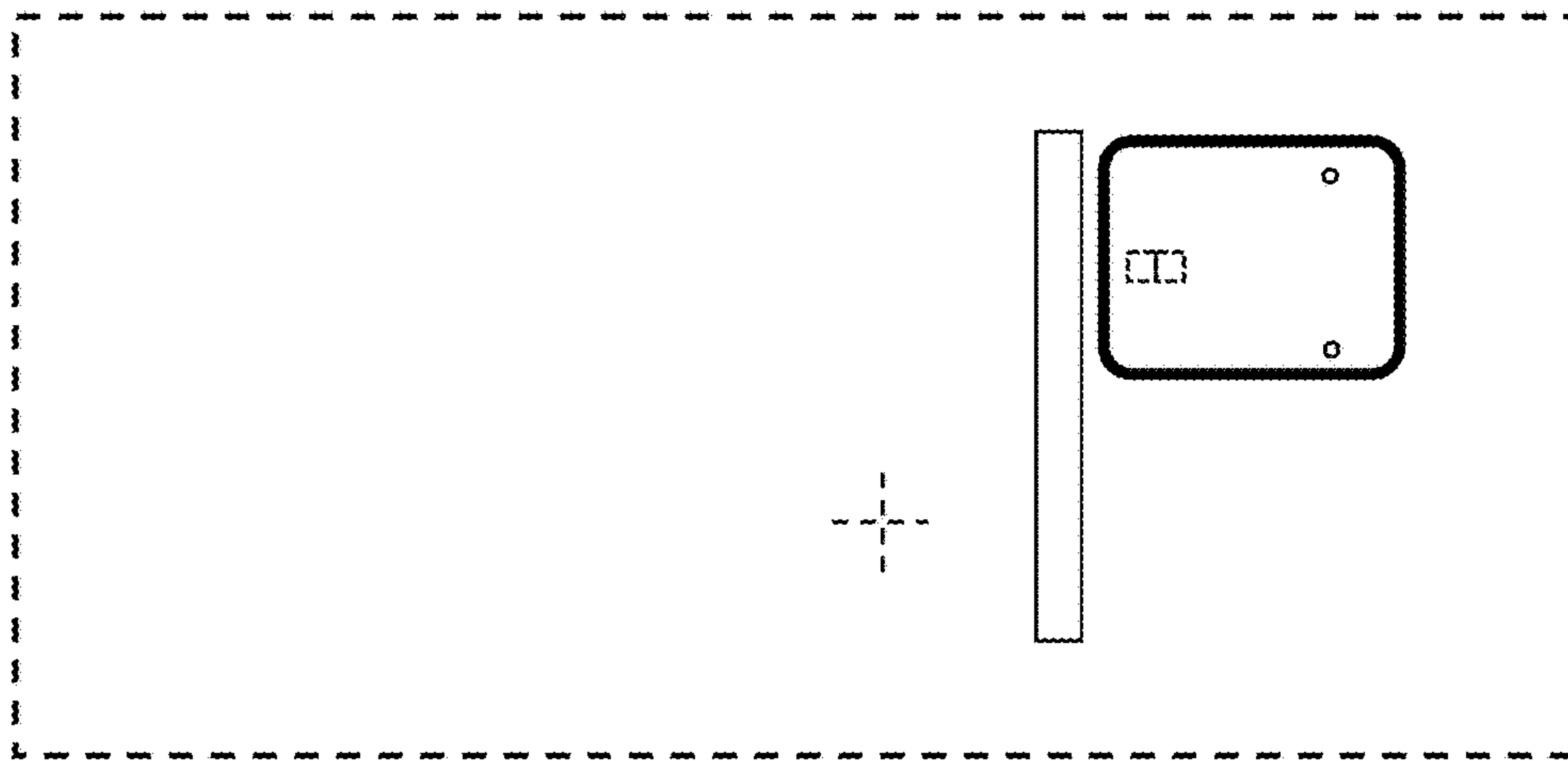


Fig. 10

UNITED STATES PATENT AND TRADEMARK OFFICE
CERTIFICATE OF CORRECTION

PATENT NO. : D805,527 S
APPLICATION NO. : 29/563489
DATED : December 19, 2017
INVENTOR(S) : Chris Steven Ternoey

Page 1 of 1

It is certified that error appears in the above-identified patent and that said Letters Patent is hereby corrected as shown below:

On the Title Page

In the Description on Lines 17 to 18, the phrase "FIGS. 1-29" should be corrected to read "FIGS. 1-10".

Signed and Sealed this
Sixth Day of February, 2018



Joseph Matal

*Performing the Functions and Duties of the
Under Secretary of Commerce for Intellectual Property and
Director of the United States Patent and Trademark Office*