



US00D805524S

(12) **United States Design Patent** (10) **Patent No.:** **US D805,524 S**  
**Wang** (45) **Date of Patent:** **\*\* Dec. 19, 2017**

(54) **DISPLAY SCREEN WITH GRAPHICAL USER INTERFACE**

(71) Applicant: **Lenovo (Beijing) Co., Ltd.**, Haidian District, Beijing (CN)

(72) Inventor: **Renjie Wang**, Beijing (CN)

(73) Assignee: **LENOVO (BEIJING) CO., LTD.**, Haidian District, Beijing (CN)

(\*\*) Term: **15 Years**

(21) Appl. No.: **29/549,756**

(22) Filed: **Dec. 28, 2015**

**Related U.S. Application Data**

(62) Division of application No. 29/445,479, filed on Feb. 12, 2013, now Pat. No. Des. 749,606.

(30) **Foreign Application Priority Data**

Dec. 27, 2012 (CN) ..... 2012 3 0656619

(51) **LOC (10) Cl.** ..... **14-04**

(52) **U.S. Cl.**  
USPC ..... **D14/485**

(58) **Field of Classification Search**  
USPC ..... D14/485-495  
CPC ..... G06F 3/0485  
See application file for complete search history.

(56) **References Cited**

**U.S. PATENT DOCUMENTS**

- D124,670 S 1/1941 Ruderman
- D384,341 S 9/1997 Hoffman et al.
- D396,455 S 7/1998 Bier
- D456,028 S 4/2002 Sakata
- D461,822 S 8/2002 Okuley
- 6,448,987 B1 9/2002 Easty et al.

- D473,151 S 4/2003 Shaland et al.
- D480,092 S 9/2003 Kreikemeier et al.
- D493,471 S \* 7/2004 McIntosh ..... D14/485
- D500,766 S 1/2005 Hanisch et al.
- D505,135 S 5/2005 Sapp et al.
- D507,002 S 7/2005 Retuta et al.
- D523,441 S 6/2006 Sapp et al.
- D534,541 S \* 1/2007 Retuta ..... D14/486
- D544,495 S 6/2007 Evans et al.

(Continued)

*Primary Examiner* — Kevin K Rudzinski

(74) *Attorney, Agent, or Firm* — Brinks Gilson & Lione; G. Peter Nichols

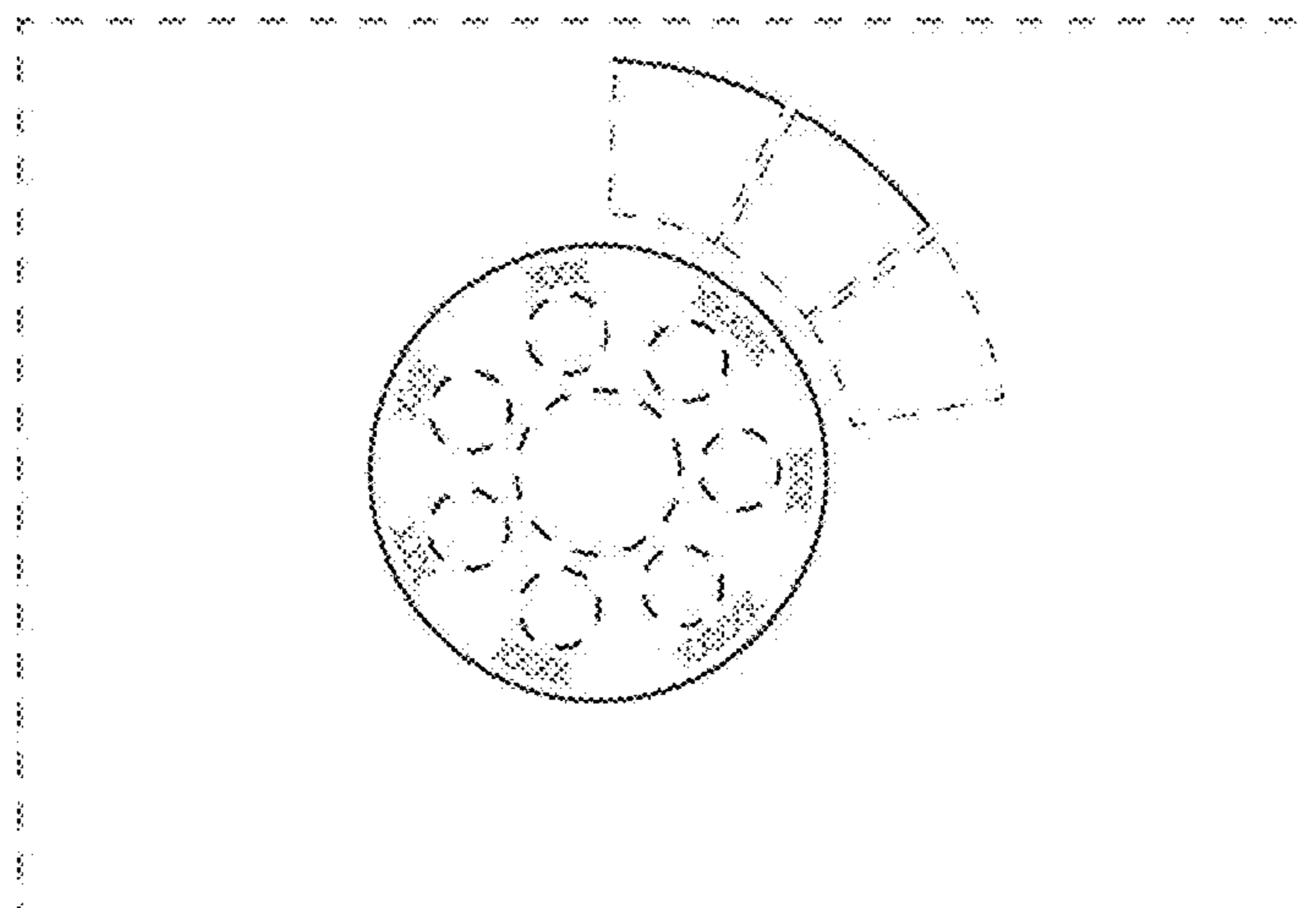
(57) **CLAIM**

The ornamental design for a display screen with graphical user interface, as shown and described.

**DESCRIPTION**

FIG. 1 is a front view of a display screen with graphical user interface showing an embodiment of my new design; FIG. 2 is a front view of a display screen with graphical user interface showing an embodiment of my new design; FIG. 3 is a front view of a display screen with graphical user interface showing an embodiment of my new design; FIG. 4 is a front view of a display screen with graphical user interface showing an embodiment of my new design; FIG. 5 is a front view of a display screen with graphical user interface showing an embodiment of my new design; and, FIG. 6 is a front view of a display screen with graphical user interface showing an embodiment of my new design. The subject matter shown in dashed lines is for illustrative purposes only and forms no part of the claimed design. The broken lines showing portions of the graphical user interface such as the “X”s are included to demonstrate environment and form no part of the claimed design. The broken lines illustrating the display screen form no part of the claimed design.

**1 Claim, 3 Drawing Sheets**



(56)

References Cited

U.S. PATENT DOCUMENTS

D544,496 S	6/2007	Evans et al.	D699,747 S	2/2014	Pearson et al.
D545,231 S	6/2007	Waldman	D699,750 S	2/2014	Pearson et al.
D545,323 S	6/2007	Decombe	D700,207 S	2/2014	Pearson et al.
D545,324 S	6/2007	Decombe	D702,251 S	4/2014	Kotler et al.
D550,696 S	9/2007	Kortum et al.	D704,213 S	5/2014	Agnew
D554,660 S	11/2007	Hoover et al.	D708,203 S	7/2014	Johnson
D554,661 S	11/2007	Hoover et al.	D708,221 S *	7/2014	Danton ..... D14/492
D561,193 S	2/2008	O'Mullan et al.	D709,898 S	7/2014	Sloo et al.
D563,972 S	3/2008	Sherry	D710,367 S	8/2014	Quattrocchi
D566,722 S	4/2008	Jackson	D711,904 S	8/2014	Sundy et al.
D574,395 S	8/2008	Loretan et al.	D711,905 S	8/2014	Morrison et al.
D591,305 S	4/2009	Shimoda	D712,911 S	9/2014	Pearson et al.
D593,107 S	5/2009	Shimoda et al.	D714,317 S	9/2014	Pereira
D599,814 S	9/2009	Ogura et al.	D714,320 S	9/2014	Pereira
D602,033 S	10/2009	Vu et al.	D714,321 S	9/2014	Pereira
D606,091 S	12/2009	O'Donnell et al.	D714,322 S	9/2014	Pereira
D607,007 S	12/2009	Kocmick	D716,315 S	10/2014	Behzadi et al.
D607,009 S	12/2009	McEnaney	D716,316 S	10/2014	Behzadi et al.
D614,192 S	4/2010	Takano et al.	D716,319 S	10/2014	Fan et al.
7,692,635 B2	4/2010	Iwamura	D716,320 S	10/2014	Fan et al.
D619,614 S	7/2010	O'Mullan et al.	D716,325 S	10/2014	Brudnicki
D623,658 S	9/2010	Fitzmaurice et al.	D716,829 S	11/2014	Sik
D625,319 S	10/2010	Allen et al.	D717,823 S	11/2014	Brotman et al.
D625,328 S	10/2010	Fitzmaurice et al.	D718,321 S	11/2014	Charles et al.
D626,876 S	11/2010	Jones	D721,087 S	1/2015	Barling
D630,644 S	1/2011	Wilson	D721,088 S	1/2015	Barling et al.
D630,646 S	1/2011	Wilson	D722,079 S	2/2015	Charles et al.
D630,647 S	1/2011	Wilson	D722,606 S	2/2015	Stroupe et al.
D635,987 S	4/2011	Mays et al.	D725,143 S	3/2015	Terleski et al.
D635,988 S	4/2011	Mays et al.	D726,741 S	4/2015	Lee et al.
7,992,102 B1	8/2011	De Angelo	D727,336 S	4/2015	Allison et al.
D645,470 S	9/2011	Matas	D727,928 S	4/2015	Allison et al.
D650,392 S	12/2011	Glezer et al.	D729,260 S	5/2015	Ahn et al.
D654,925 S	2/2012	Nishizawa et al.	9,076,346 B2	7/2015	Quattrocchi
8,151,209 B2	4/2012	Law et al.	D747,731 S *	1/2016	Oliveira ..... D14/486
D665,161 S	8/2012	Leifeld et al.	D750,663 S *	3/2016	Mariet ..... D14/489
D665,163 S	8/2012	Leifeld et al.	D752,062 S *	3/2016	Forsblom ..... D14/485
D667,018 S	9/2012	Clanton et al.	D753,681 S *	4/2016	Lim ..... D14/485
D667,433 S	9/2012	Phelan	D754,674 S *	4/2016	Lee ..... D14/485
D672,784 S	12/2012	Clanton et al.	D754,675 S *	4/2016	Vazquez ..... D14/485
8,375,329 B2 *	2/2013	Drayton ..... G06F 3/0482 715/767	D754,686 S *	4/2016	Mandeville ..... D14/485
D682,305 S	5/2013	Mierau et al.	D763,265 S *	8/2016	Trujillo ..... G06F 3/04817 D14/485
D684,585 S	6/2013	Plesnicher et al.	D766,940 S *	9/2016	Napper ..... D14/485
D684,586 S	6/2013	Plesnicher et al.	D766,971 S *	9/2016	Napper ..... D14/485
D684,587 S	6/2013	Plesnicher et al.	D768,191 S *	10/2016	Do ..... D14/489
D687,460 S	8/2013	Tyler et al.	D777,772 S *	1/2017	Zhang ..... D14/488
D690,718 S	10/2013	Thomsen et al.	D779,522 S *	2/2017	Ahadi ..... D14/486
D690,720 S *	10/2013	Waldman ..... D14/485	2005/0010955 A1	1/2005	Elia et al.
D691,637 S	10/2013	Deurwaarder	2007/0271528 A1	11/2007	Park et al.
D692,017 S	10/2013	Andersson et al.	2008/0126992 A1	5/2008	Scheu et al.
D694,257 S	11/2013	McKinley et al.	2009/0019397 A1	1/2009	Buffet et al.
D697,071 S	1/2014	Brinda	2010/0037185 A1	2/2010	Li
D697,074 S	1/2014	Waldman	2011/0071818 A1 *	3/2011	Jiang ..... G06F 3/0236 704/8
D698,817 S	2/2014	Laverack et al.	2011/0249005 A1	10/2011	Hautvast
D699,248 S	2/2014	Pearson et al.	2012/0096383 A1	4/2012	Sakamoto et al.
D699,251 S	2/2014	Rao et al.	2012/0124520 A1	5/2012	Samp et al.
D699,737 S	2/2014	Pearson et al.	2013/0096819 A1	4/2013	Tarnok
D699,746 S	2/2014	Pearson et al.	2015/0007707 A1 *	1/2015	Quattrocchi ..... G09B 15/023 84/477 R

\* cited by examiner

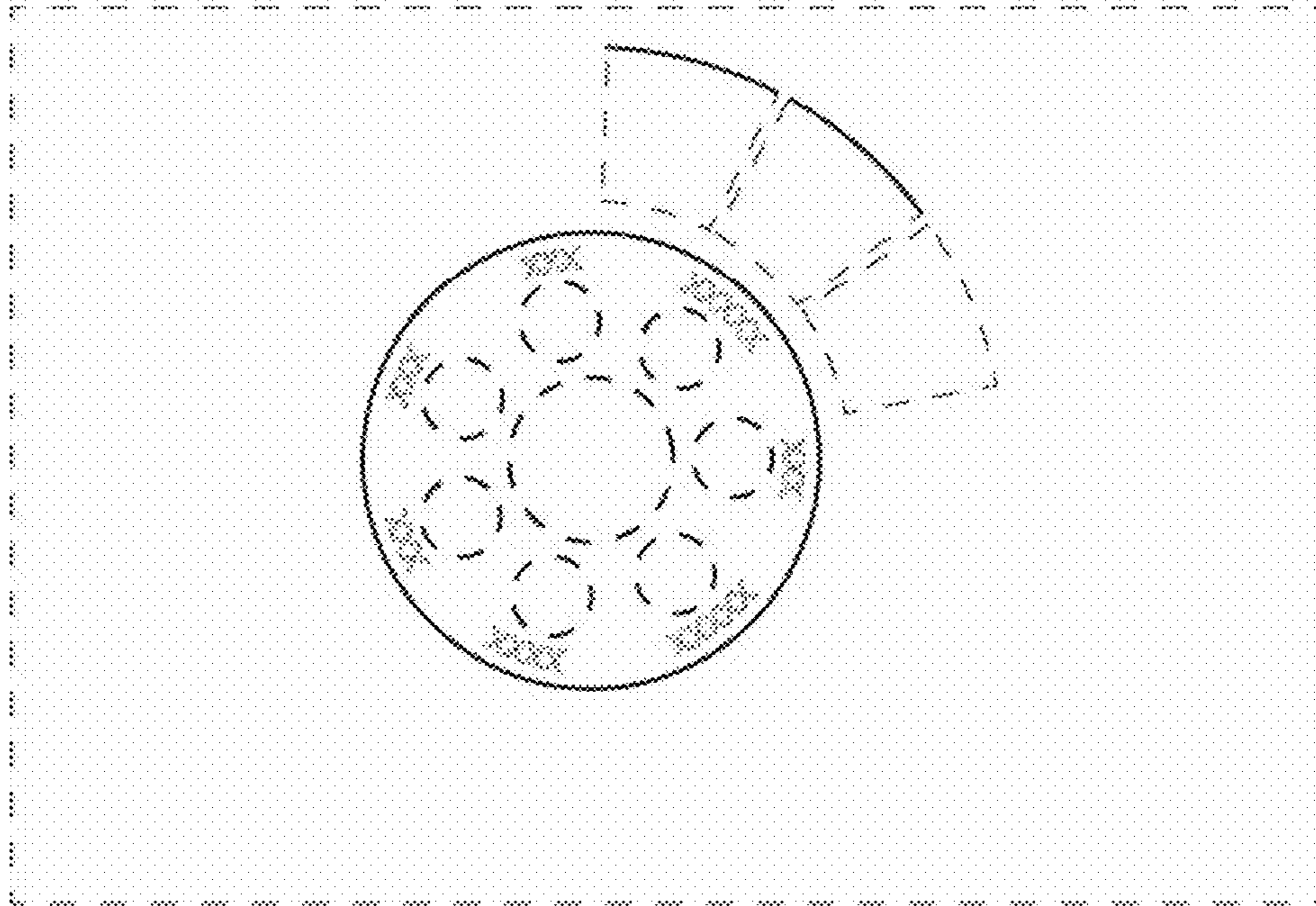


Fig. 1

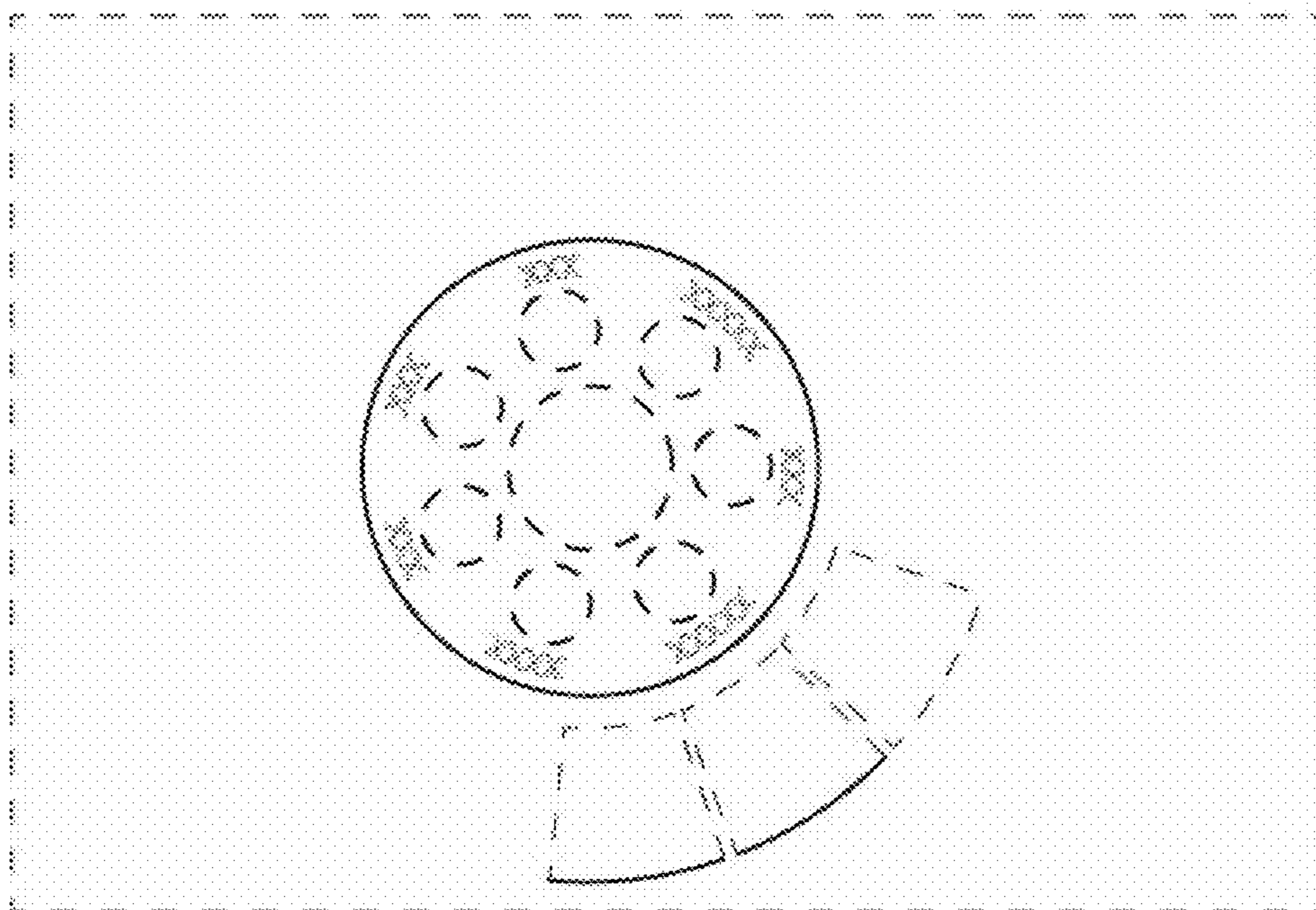


Fig. 2

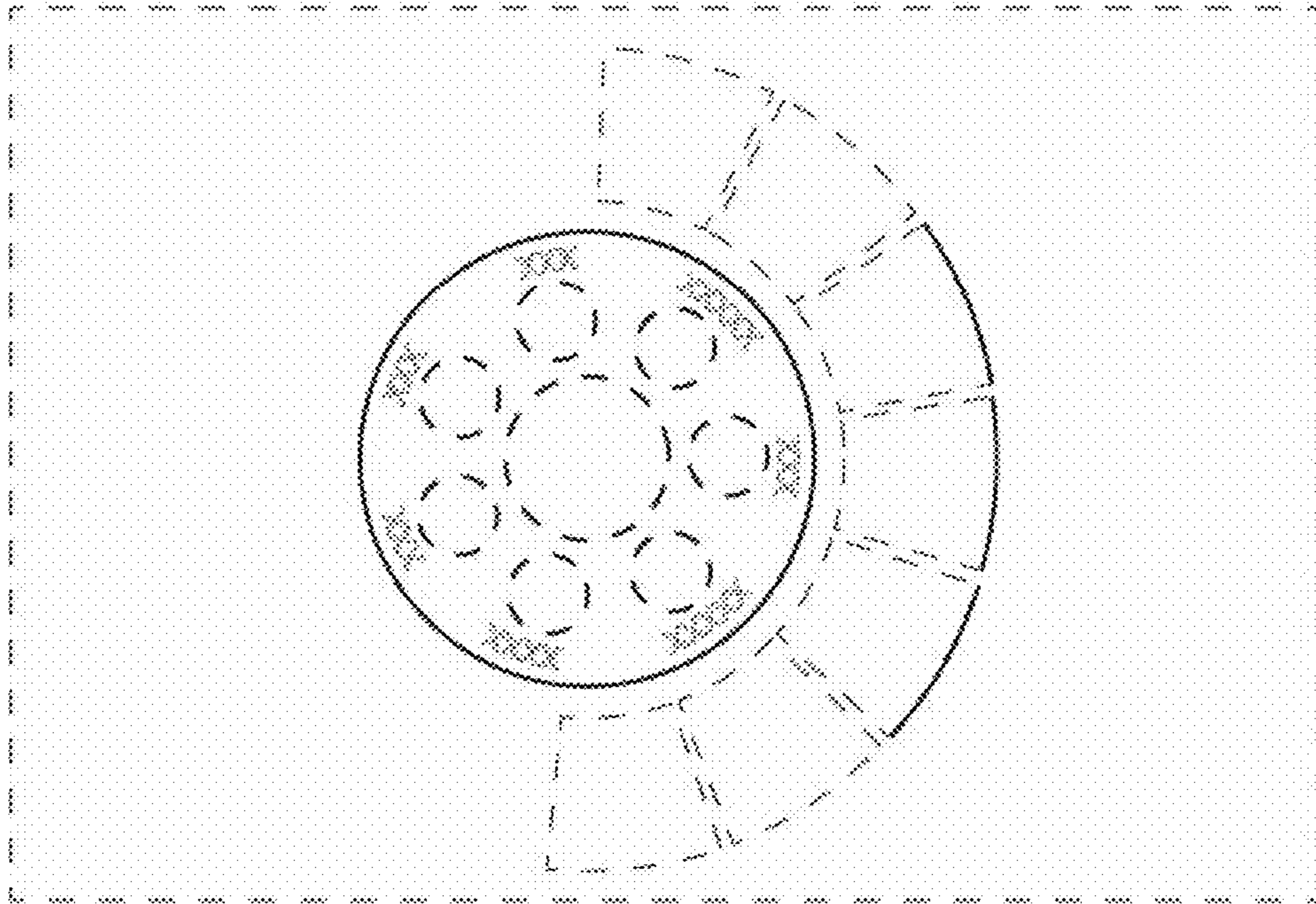


Fig. 3

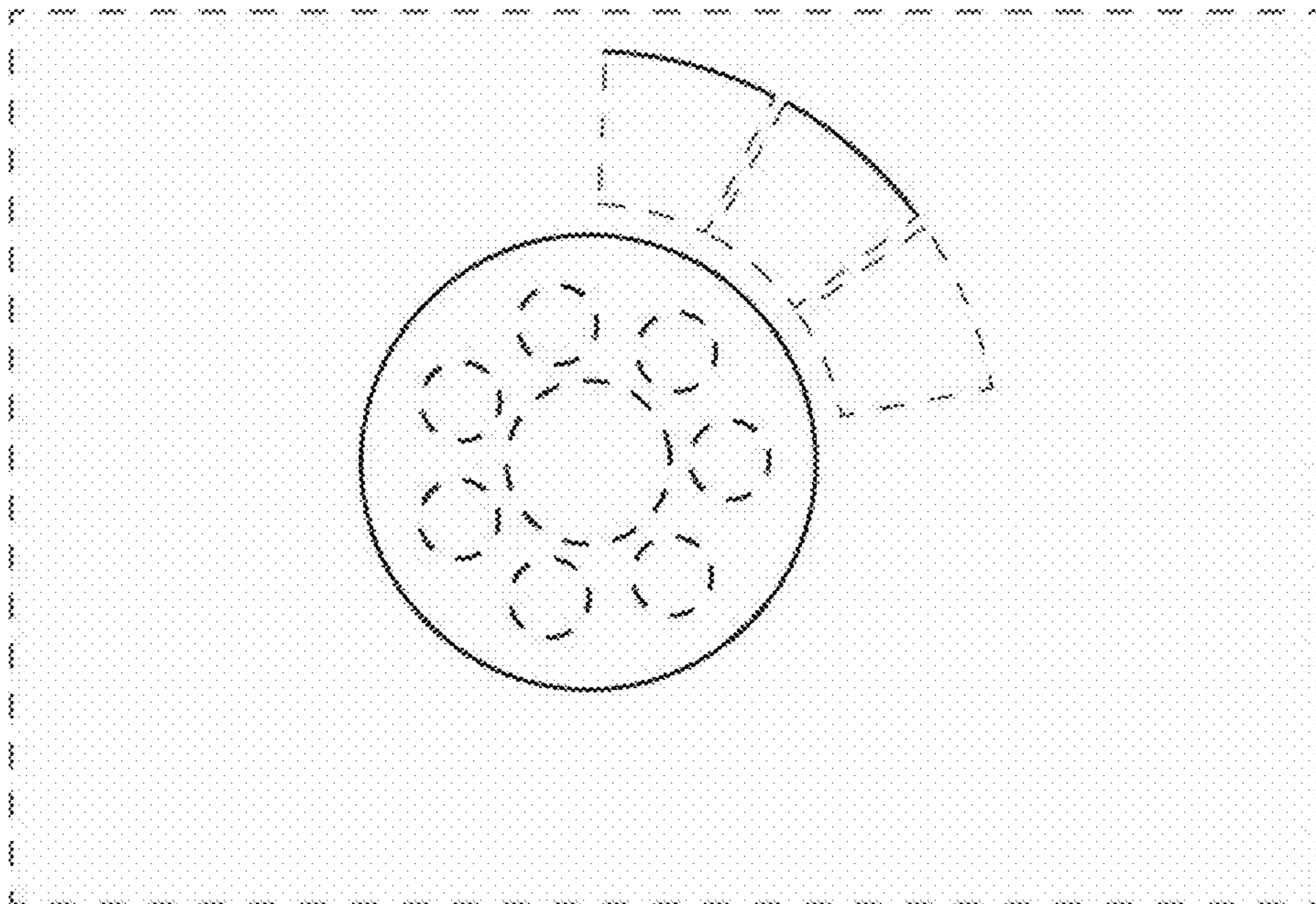


Fig. 4

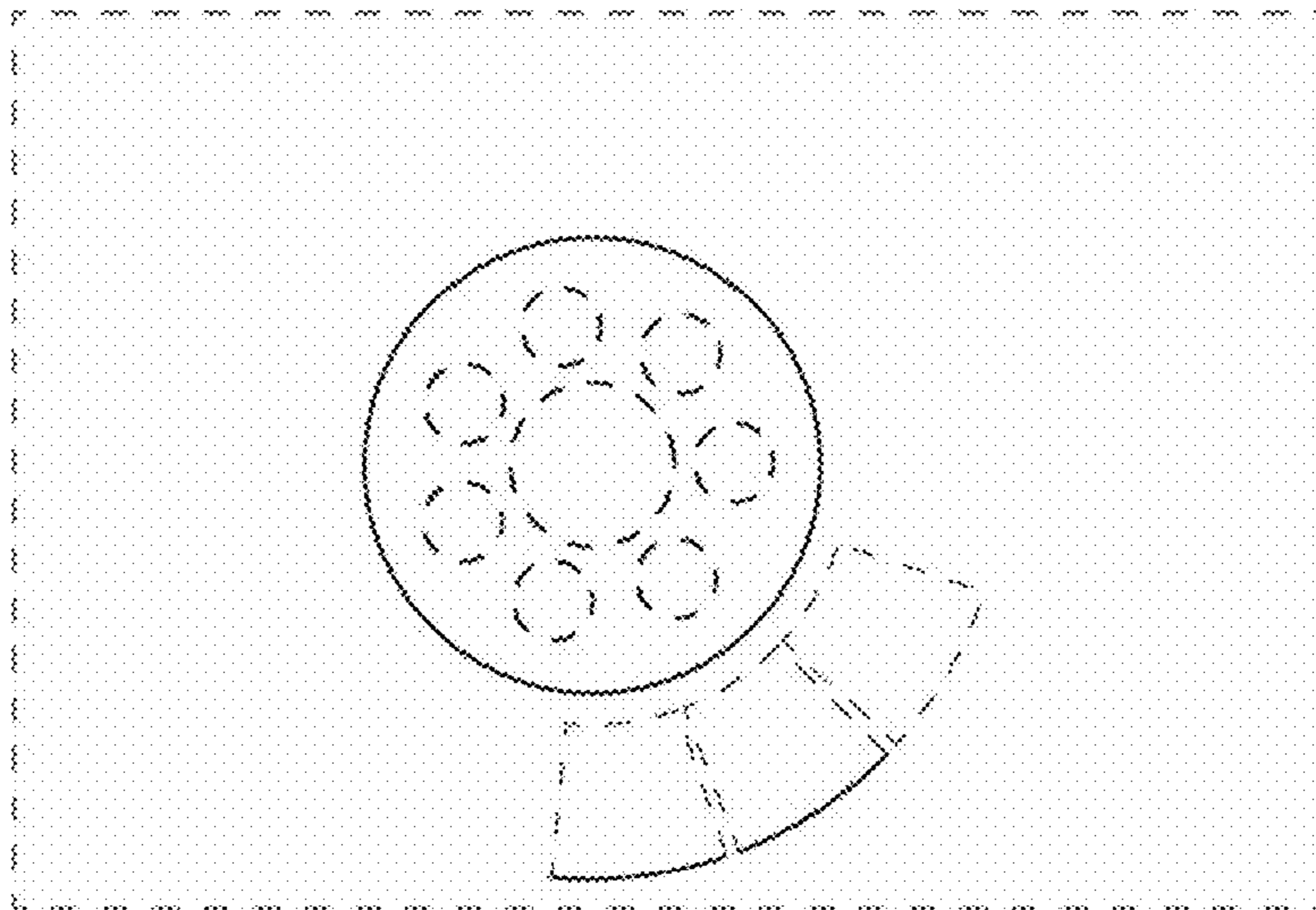


Fig. 5

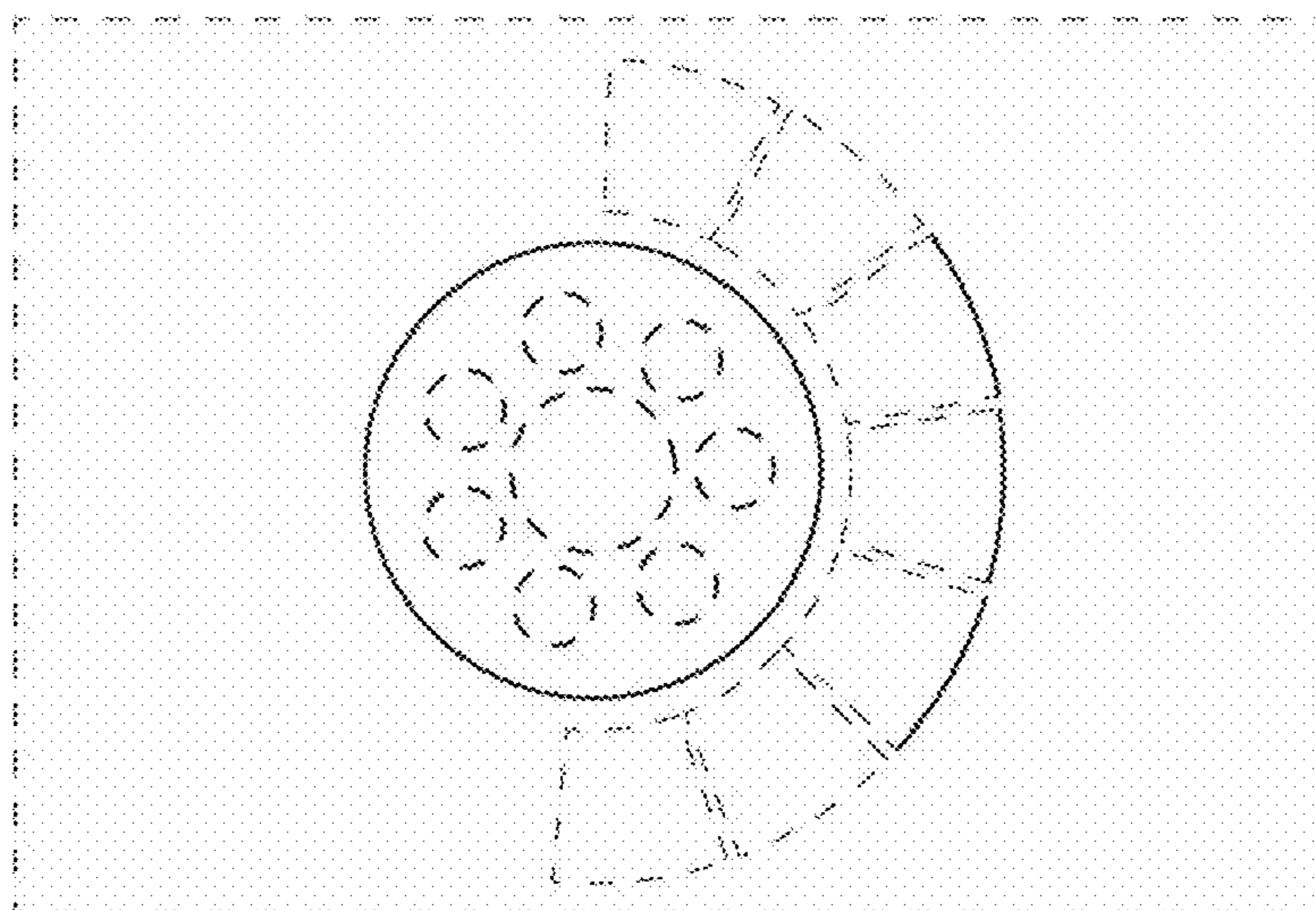


Fig. 6