



US00D805523S

(12) **United States Design Patent** (10) **Patent No.:** **US D805,523 S**
Bowman et al. (45) **Date of Patent:** **** Dec. 19, 2017**

(54) **SUPPORT APPARATUS**

(71) Applicant: **Innovative Office Products, LLC**,
Easton, PA (US)
(72) Inventors: **Stephen J. Bowman**, Allentown, PA
(US); **Peter J. Carrasquillo**, Easton,
PA (US); **Michael P. Smith**, Allentown,
PA (US); **Carl J. Hochberg**, Lehighton,
PA (US)
(73) Assignee: **Innovative Office Products, LLC**,
Easton, PA (US)

(**) Term: **14 Years**

(21) Appl. No.: **29/493,274**

(22) Filed: **Jun. 6, 2014**

(51) **LOC (10) Cl.** **08-07**

(52) **U.S. Cl.**
USPC **D14/452**

(58) **Field of Classification Search**
USPC D14/371-382, 125-129, 336, 337,
D14/447-452, 492, 335, 239, 457,
D14/439-441, 432, 251-253; D8/349,
D8/354, 363, 373, 376, 380; D21/333;
D12/415; D3/218; 348/180, 184, 325,
348/739, 825; 248/124.1, 125.8, 125.9,
248/176.1, 411
CPC G06F 3/0412; G06F 3/016; G06F 3/0488;
G06F 3/011; G06F 3/038; G06F 3/03543;
G06F 3/0338; G06F 3/0202; G06F
3/0219; G06F 3/0213; G06F 1/1616;
G06F 3/023; G06F 3/04883; G02F
1/13338; G02F 1/1313; G02F 1/1333;
G02F 1/135; G02F 1/132; G02F
1/133308; G02F 1/134309; G02F
1/13718; G09G 3/3648; G06K 15/1252;
B41J 2/465; G03F 7/70291; G02B
27/0172; G02B 5/30; G02B 2027/0118;
G02B 27/0101; F16M 13/02; F16M
13/00;

(Continued)

(56) **References Cited**

U.S. PATENT DOCUMENTS

7,369,401 B1 * 5/2008 Floersch F16M 11/04
292/301
D621,842 S * 8/2010 Sapper D14/452
(Continued)

FOREIGN PATENT DOCUMENTS

KR 200426109 Y1 9/2006
WO 2009151760 A1 12/2009
WO 2013165562 A1 11/2013

OTHER PUBLICATIONS

Ergodesktop website, published at least as early as Jun. 20, 2013,
retrieved from Internet Archive Wayback Machine URL: <http://web.archive.org/web/20130620103818/http://www.ergodesktop.com/products>.

(Continued)

Primary Examiner — Garth Rademaker

Assistant Examiner — Katie Stofko

(74) *Attorney, Agent, or Firm* — Design IP

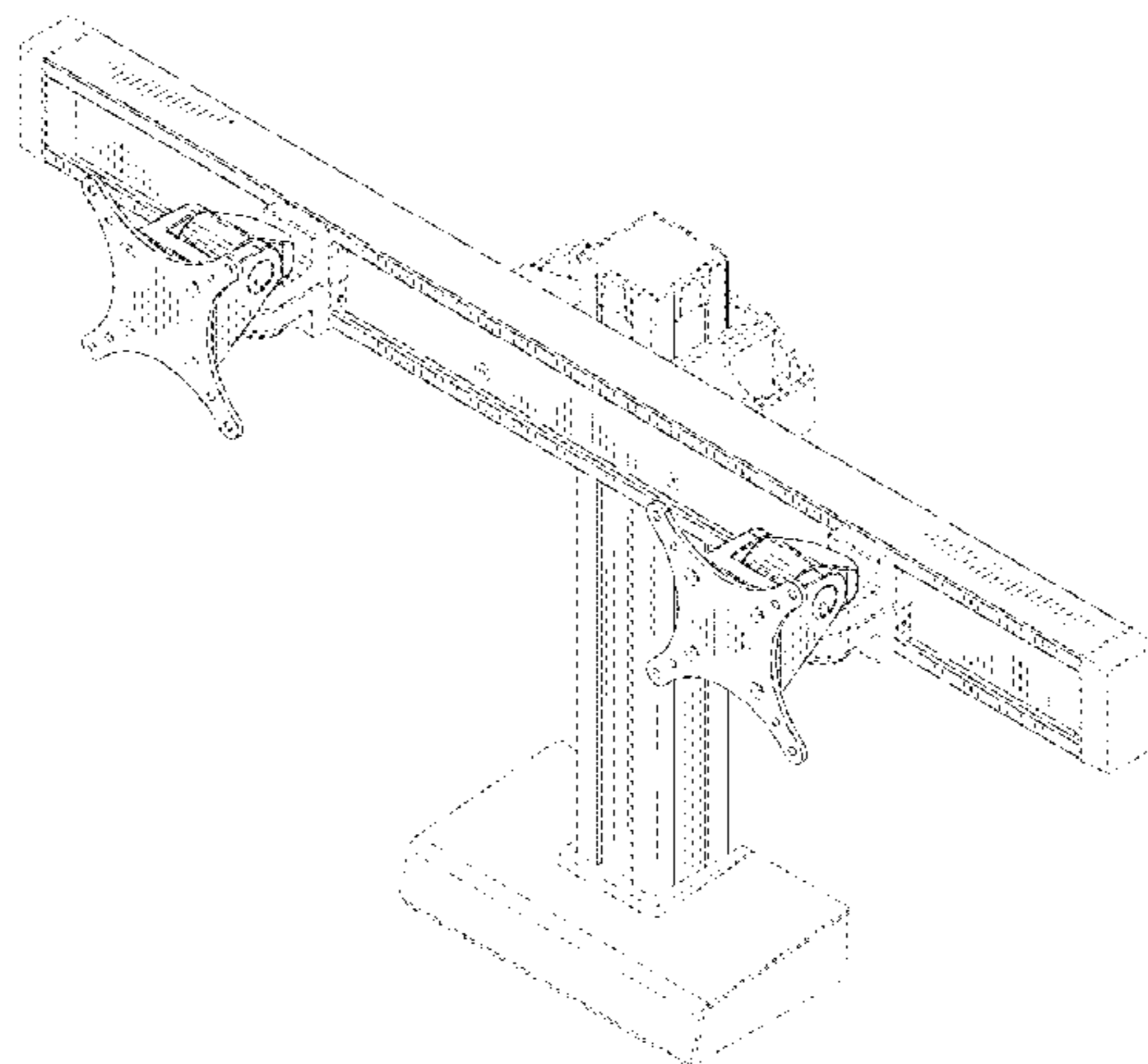
(57) **CLAIM**

The ornamental design for a support apparatus, as shown
and described.

DESCRIPTION

FIG. 1 is a perspective view of a support apparatus showing
our new design;
FIG. 2 is a front view thereof;
FIG. 3 is a rear view thereof;
FIG. 4 is a left side view thereof;
FIG. 5 is a right side view thereof;
FIG. 6 is a top view thereof; and,
FIG. 7 is a bottom view thereof.

(Continued)



The broken lines shown in FIGS. 1-7 illustrate portions of the support apparatus that form no part of the claimed design.

1 Claim, 7 Drawing Sheets

(58) Field of Classification Search

CPC F16M 11/10; F16M 11/04; F16M 2200/08;
 F16M 11/2021; A47B 21/0314; A47B
 88/044; A47B 2021/0335; H02G 3/126;
 F16B 47/00; F16B 47/006; A47G 1/17;
 A47K 2201/00

See application file for complete search history.

(56) References Cited

U.S. PATENT DOCUMENTS

D629,808	S *	12/2010	Sapper	D14/452
D649,552	S *	11/2011	Huang	D14/452
D660,308	S *	5/2012	Huang	D14/452
8,534,615	B2 *	9/2013	Huang	F16M 11/045 248/125.1
9,366,379	B2 *	6/2016	Bowman	F16M 11/045
9,400,083	B2 *	7/2016	Sapper	F16M 13/022
2003/0231460	A1 *	12/2003	Moscovitch	F16M 11/00 361/679.21
2005/0224682	A1 *	10/2005	Ishizaki	F16C 11/0661 248/455
2005/0258319	A1	11/2005	Jeong	
2006/0065795	A1 *	3/2006	Blackburn	F16M 11/12 248/122.1
2007/0205340	A1	9/2007	Jung	

2007/0252919	A1	11/2007	McGreevy	
2008/0117578	A1	5/2008	Moscovitch	
2008/0173774	A1	7/2008	Saez et al.	
2009/0134285	A1 *	5/2009	Huang	F16M 11/08 248/124.1
2010/0128423	A1	5/2010	Moscovitch	
2011/0075345	A1 *	3/2011	Moscovitch	F16M 11/04 361/679.22
2011/0278414	A1	11/2011	Theis et al.	
2013/0126682	A1	5/2013	Tholkes et al.	
2014/0332653	A1	11/2014	Hazzard et al.	
2015/0131217	A1	5/2015	Brandt	

OTHER PUBLICATIONS

Ergotron website, published at least as early as Jul. 17, 2013, retrieved from Internet Archive Wayback Machine, URL: <https://web.archive.org/web/20130717184943/http://www.ergotron.com/Portals/0/literature/productSheets/english/05-065.pdf>.

Ergotron website, published at least as early as Mar. 9, 2013, retrieved from Internet Archive Wayback Machine, URL: <https://web.archive.org/web/20130309061346/http://www.ergotron.com/Portals/0/literature/productSheets/english/05-118-EA.pdf>.

Ergotron website, published at least as early as Feb. 1, 2013, retrieved from Internet Archive Wayback Machine, URL: <https://web.archive.org/web/20130201215650/http://www.ergotron.com/Portals/0/tp/R1/WF/888-33-307-W.pdf>.

Ergotech Group, Inc. 100 Series Product Catalog; At least as early as Jul. 23, 2013; retrieved from internet: <http://www.ergotechgroup.com>.

Ergotech Group, Inc. 600 Series Product Catalog; At least as early as May 30, 2013; retrieved from internet: <http://www.ergotechgroup.com>.

* cited by examiner

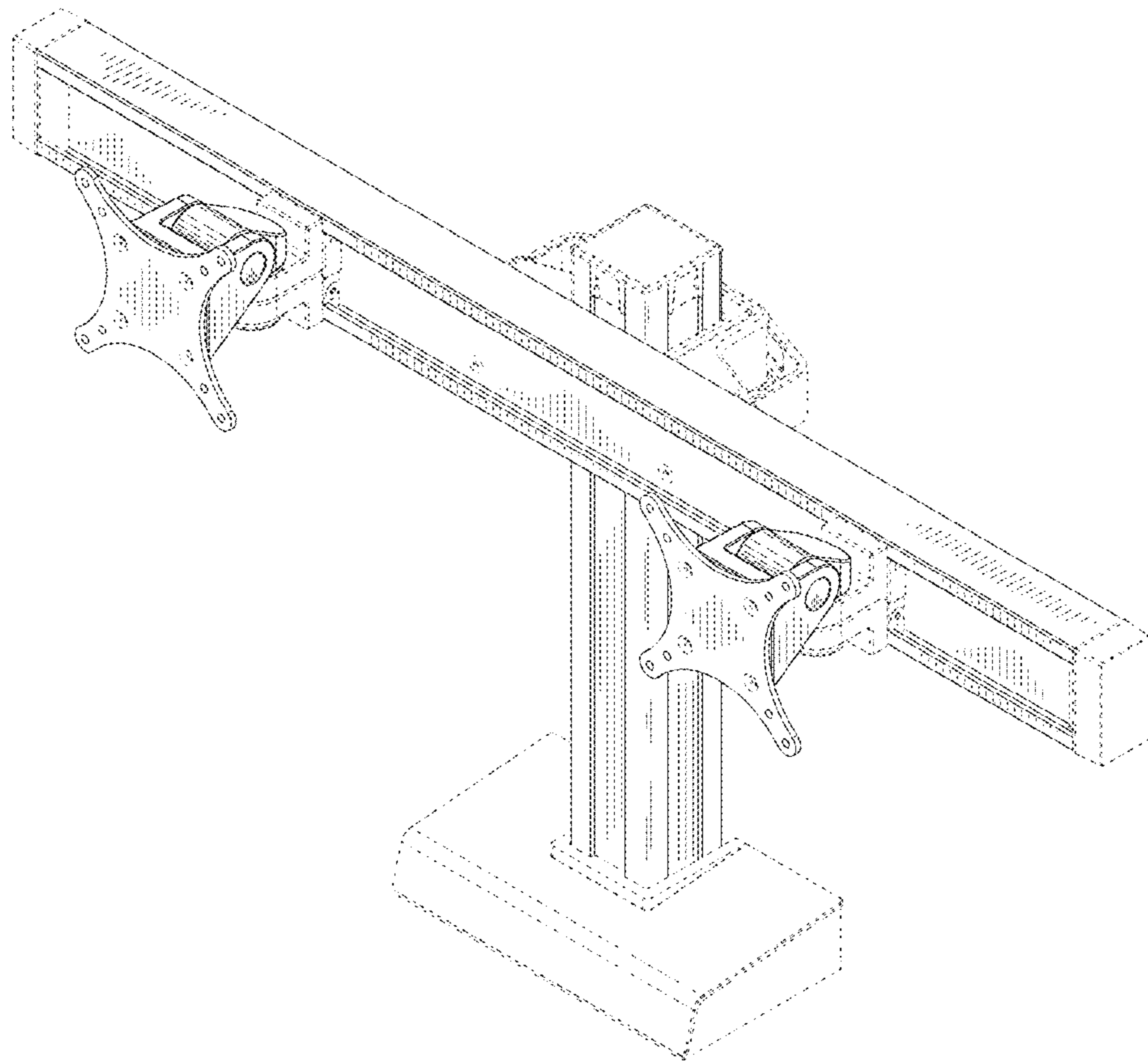


FIG. 1

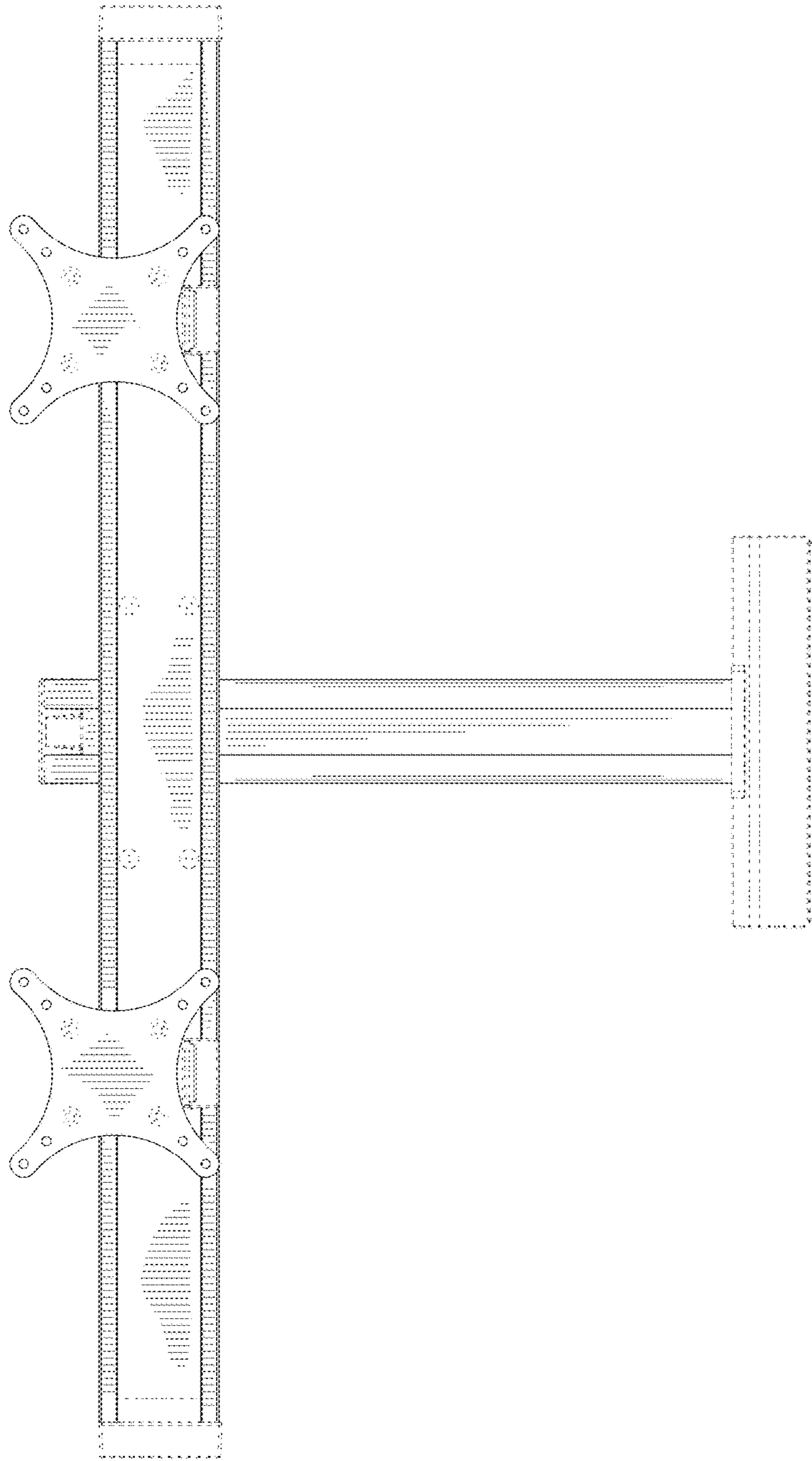


FIG. 2

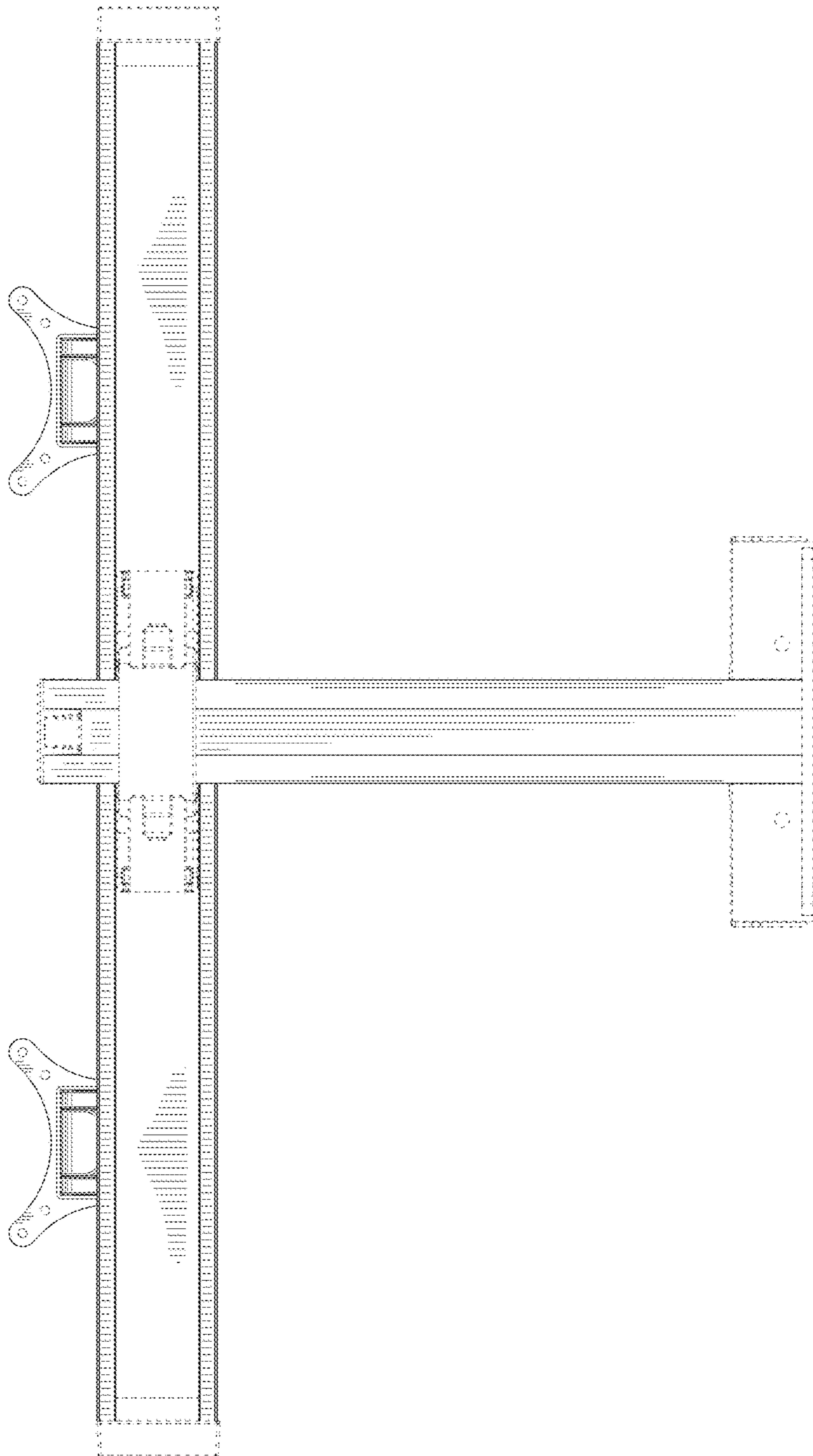


FIG. 3

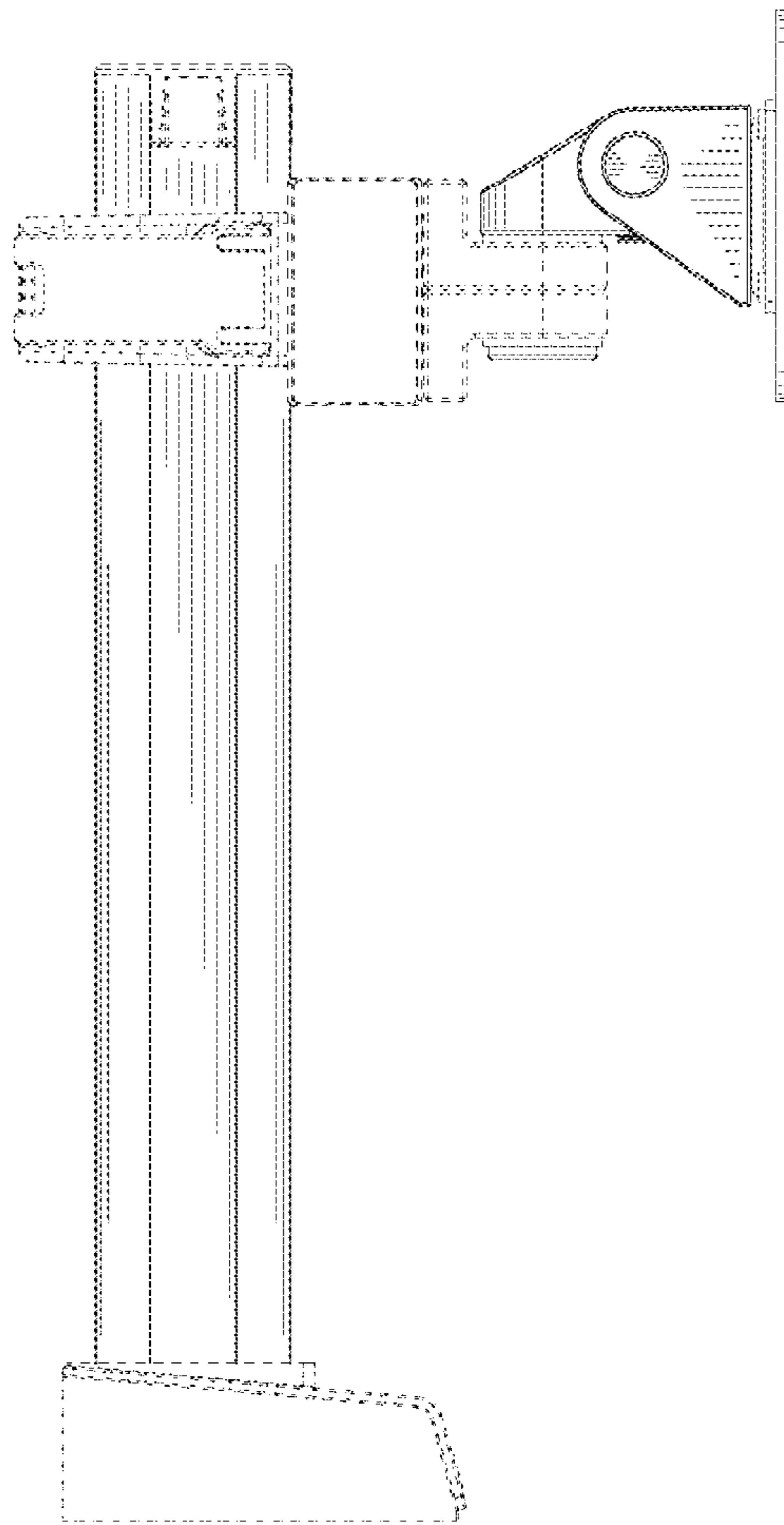


FIG. 4

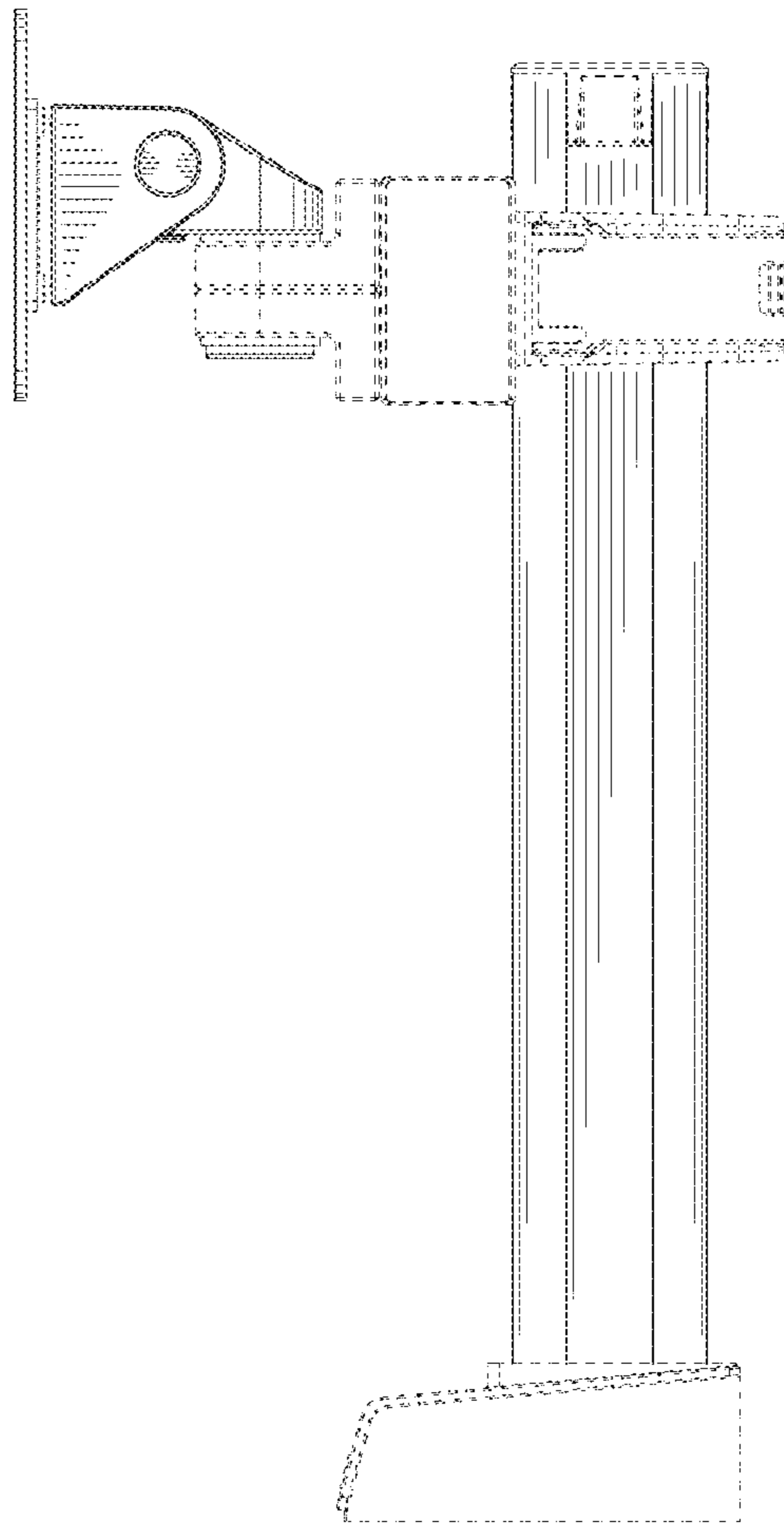


FIG. 5

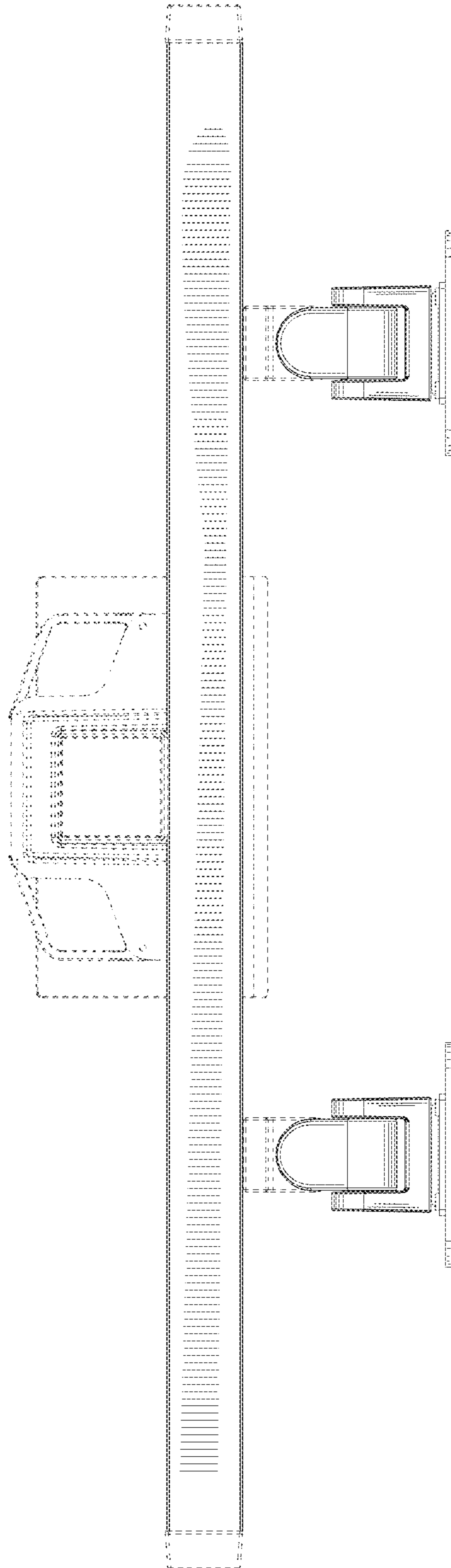


FIG. 6

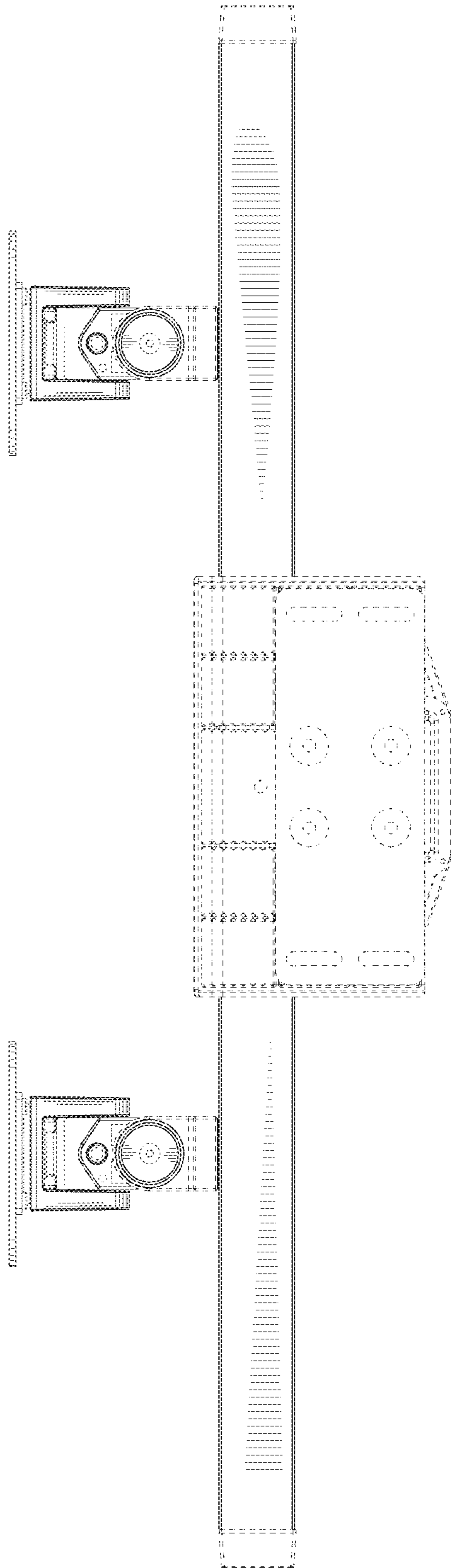


FIG. 7