



US00D805522S

(12) **United States Design Patent**
Won et al.

(10) **Patent No.:** **US D805,522 S**

(45) **Date of Patent:** **** Dec. 19, 2017**

(54) **STAND FOR MONITOR**

(71) Applicant: **SAMSUNG ELECTRONICS CO., LTD.**, Suwon-si, Gyeonggi-do (KR)

(72) Inventors: **Tae-Yeon Won**, Seoul (KR); **Yong-Joo Lee**, Seoul (KR)

(73) Assignee: **SAMSUNG ELECTRONICS CO., LTD.**, Gyeonggi-Do (KR)

(**) Term: **15 Years**

(21) Appl. No.: **29/565,724**

(22) Filed: **May 24, 2016**

(30) **Foreign Application Priority Data**

Nov. 26, 2015 (KR) 30-2015-0059753
Nov. 26, 2015 (KR) 30-2015-0059754

(51) **LOC (10) Cl.** **14-02**

(52) **U.S. Cl.**
USPC **D14/451**

(58) **Field of Classification Search**
USPC D14/447-452, 336, 341, 371, 373, 374,
D14/375, 376, 377, 126, 127, 128, 129
(Continued)

(56) **References Cited**

U.S. PATENT DOCUMENTS
D311,392 S * 10/1990 Hillary D14/451
D512,424 S * 12/2005 Kim D14/375
(Continued)

FOREIGN PATENT DOCUMENTS
EM 002766899-0001 9/2015
KR 300574338 S 10/2010
(Continued)

OTHER PUBLICATIONS
Samsung. <URL: <http://www.samsung.com/uk/monitors/curved-cfg70fqu/LC27FG70FQUXEN/>> May 27, 2017. Samsung 27" 144Hz Professional Gaming Monitor.*

Primary Examiner — Bridget L. Eland
Assistant Examiner — Lauren McVey
(74) *Attorney, Agent, or Firm* — Cantor Colburn LLP

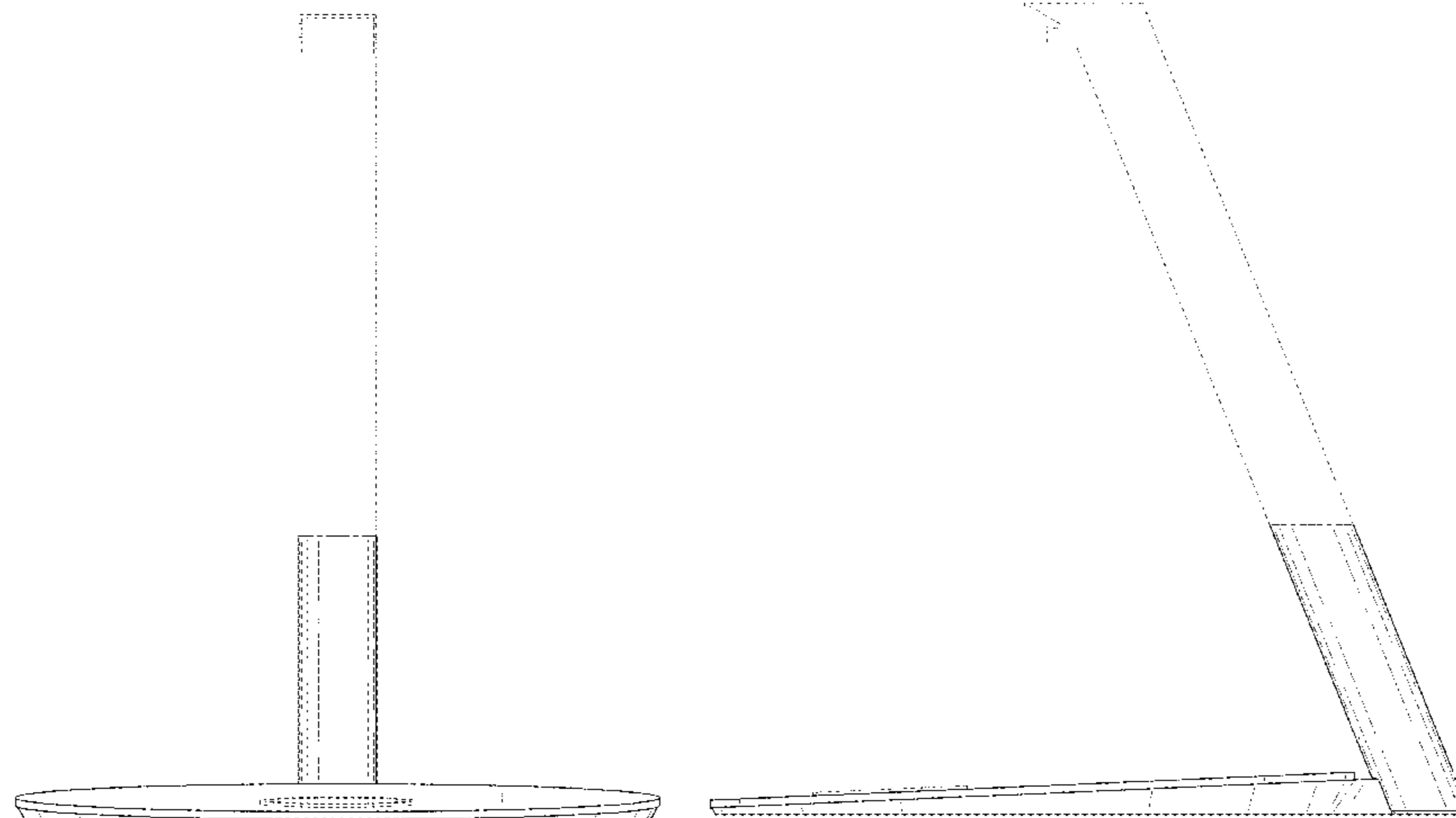
(57) **CLAIM**

The ornamental design for a stand for monitor, as shown and described.

DESCRIPTION

FIG. 1 is a front perspective view of a first embodiment of a stand for monitor showing our new design;
FIG. 2 is a front view thereof;
FIG. 3 is a rear view thereof;
FIG. 4 is a left-side view thereof;
FIG. 5 is a right-side view thereof;
FIG. 6 is a top plan view thereof;
FIG. 7 is a bottom plan view thereof;
FIG. 8 is a rear perspective view thereof;
FIG. 9 is another front perspective of the stand for monitor of FIG. 1 shown with environment;
FIG. 10 is a front perspective view of a second embodiment of a stand for monitor showing our new design;
FIG. 11 is a front view thereof;
FIG. 12 is a rear view thereof;
FIG. 13 is a left-side view thereof;
FIG. 14 is a right-side view thereof;
FIG. 15 is a top plan view thereof;
FIG. 16 is a bottom plan view thereof;
FIG. 17 is a rear perspective view thereof; and,
FIG. 18 is another front perspective of the stand for monitor of FIG. 10 shown with environment.
The dot-dash broken lines and the evenly spaced broken lines immediately adjacent the claim represent the bounds of the claimed design while all other broken lines are directed to environment and are for illustrative purposes only; the broken lines form no part of the claimed design.

1 Claim, 18 Drawing Sheets



(58) **Field of Classification Search**

CPC F16M 11/105; F16M 11/10; F16M 11/048;
F16M 11/12; F16M 13/022

See application file for complete search history.

(56) **References Cited**

U.S. PATENT DOCUMENTS

D600,246	S	*	9/2009	Yuuki	D14/451
D657,790	S	*	4/2012	Lee	D14/374
D664,541	S	*	7/2012	Kim	D14/374
D681,647	S	*	5/2013	Choi	D14/451
D702,244	S	*	4/2014	Seo	D14/451
D704,708	S		5/2014	Huh et al.		
D733,157	S	*	6/2015	Kim	D14/447
D733,160	S	*	6/2015	Lee	D14/451
D750,078	S	*	2/2016	Kim	D14/375
D758,375	S	*	6/2016	Won	D14/451
D774,037	S	*	12/2016	Kang	D14/451
2007/0195495	A1	*	8/2007	Kim	F16M 11/105 361/679.07

FOREIGN PATENT DOCUMENTS

KR	300617124	S	10/2011
KR	300740615	S	4/2014
RU	00102241	*	2/2017
RU	00102439	*	3/2017

* cited by examiner

FIG. 1

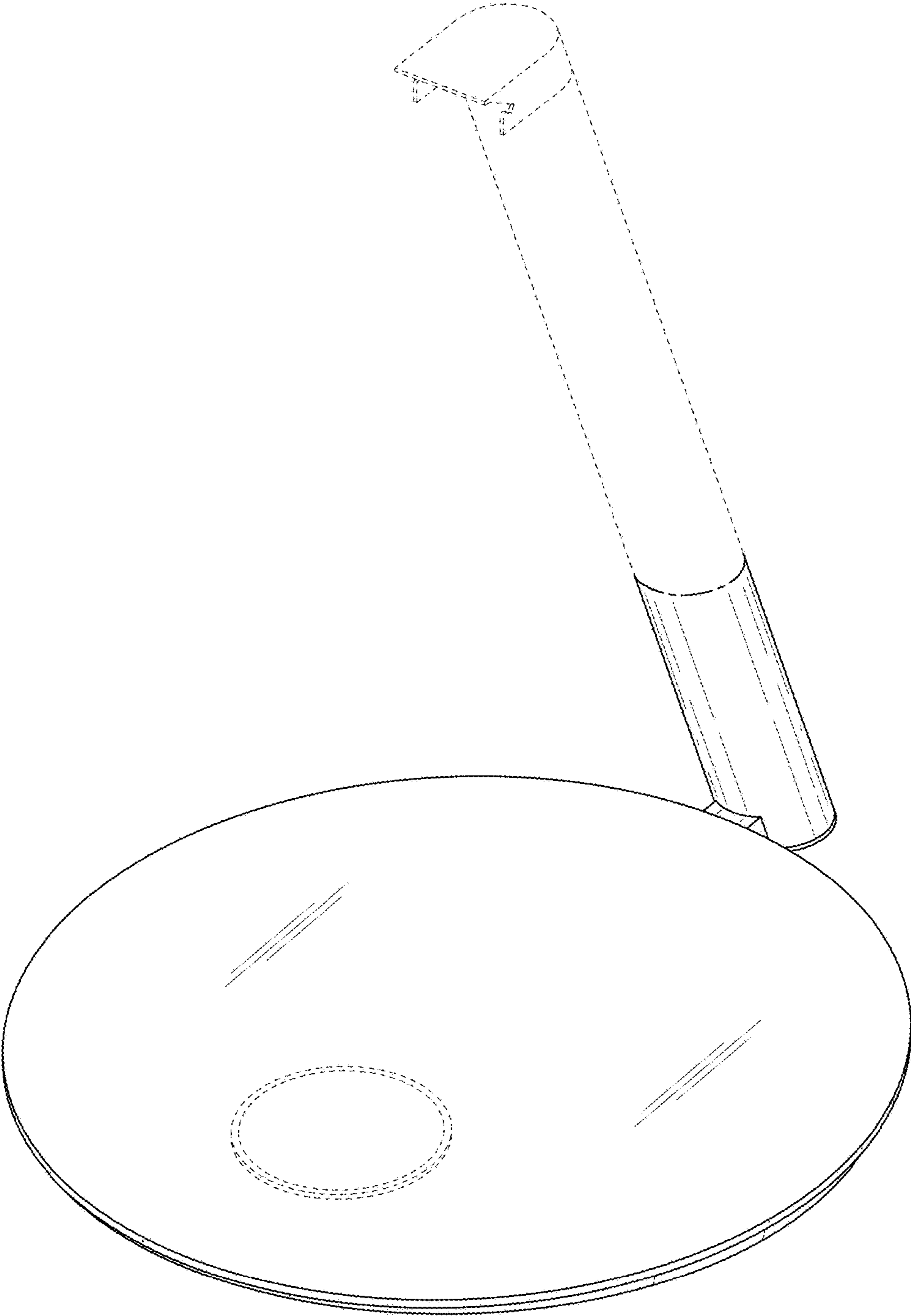


FIG. 2

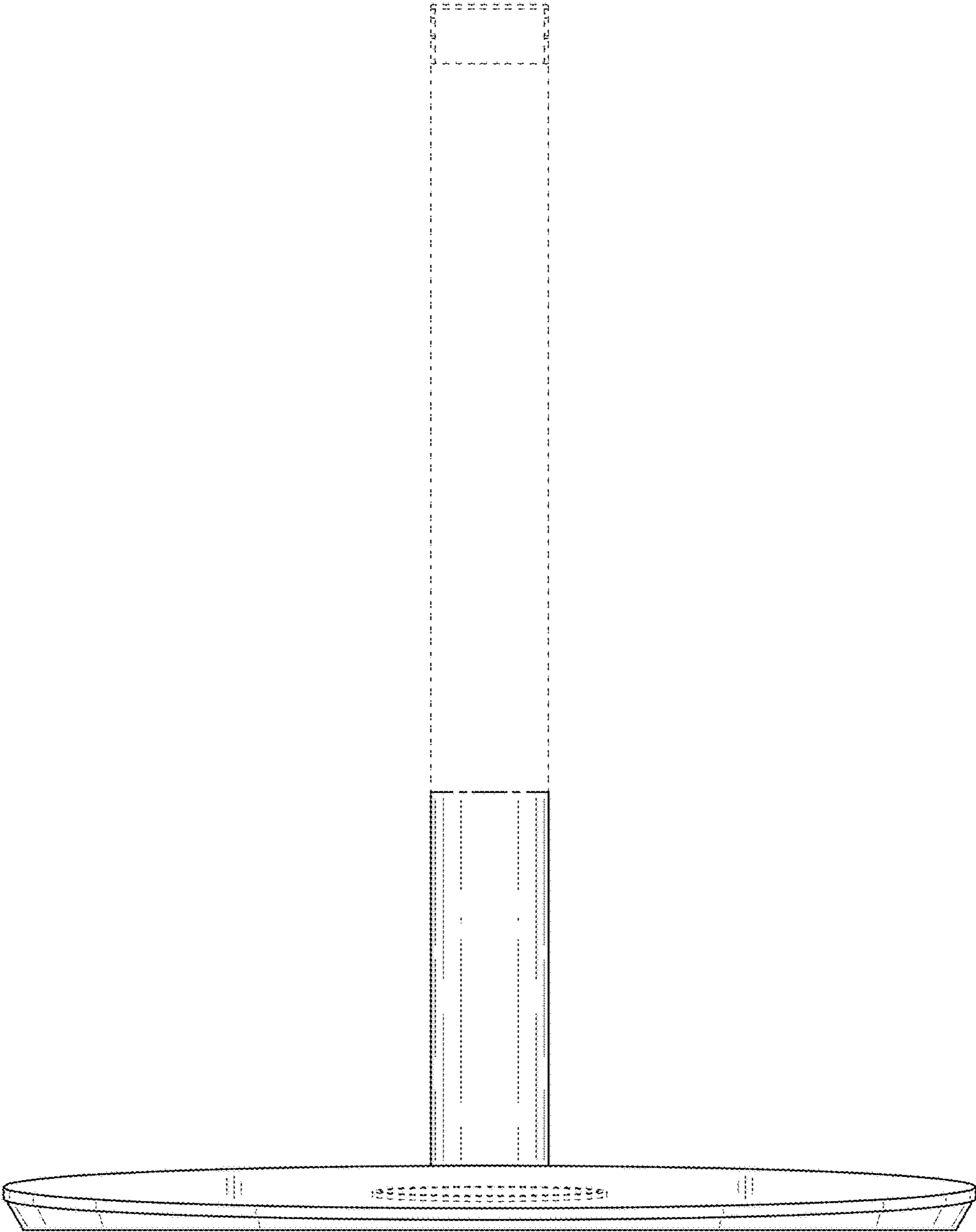


FIG. 3

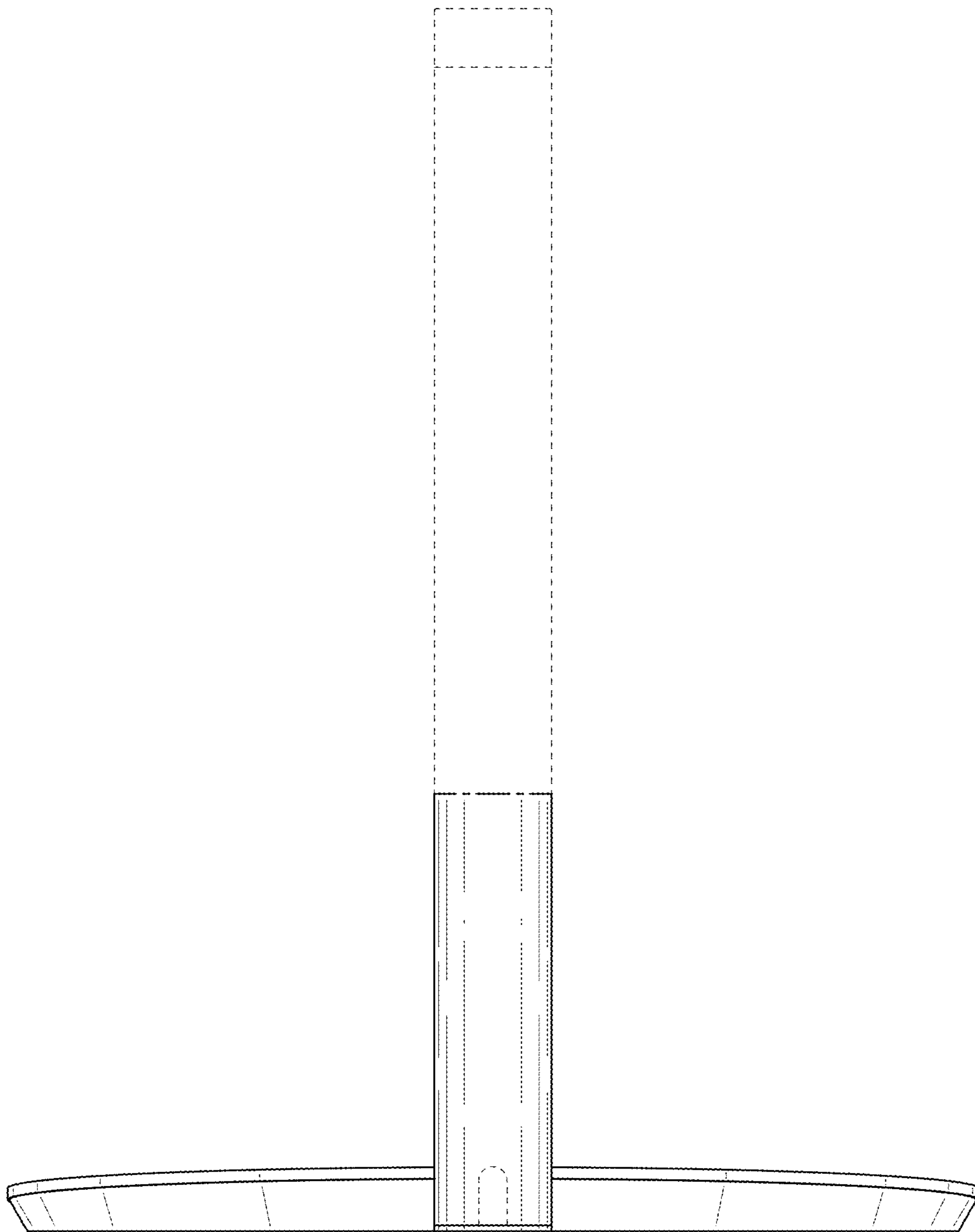


FIG. 4

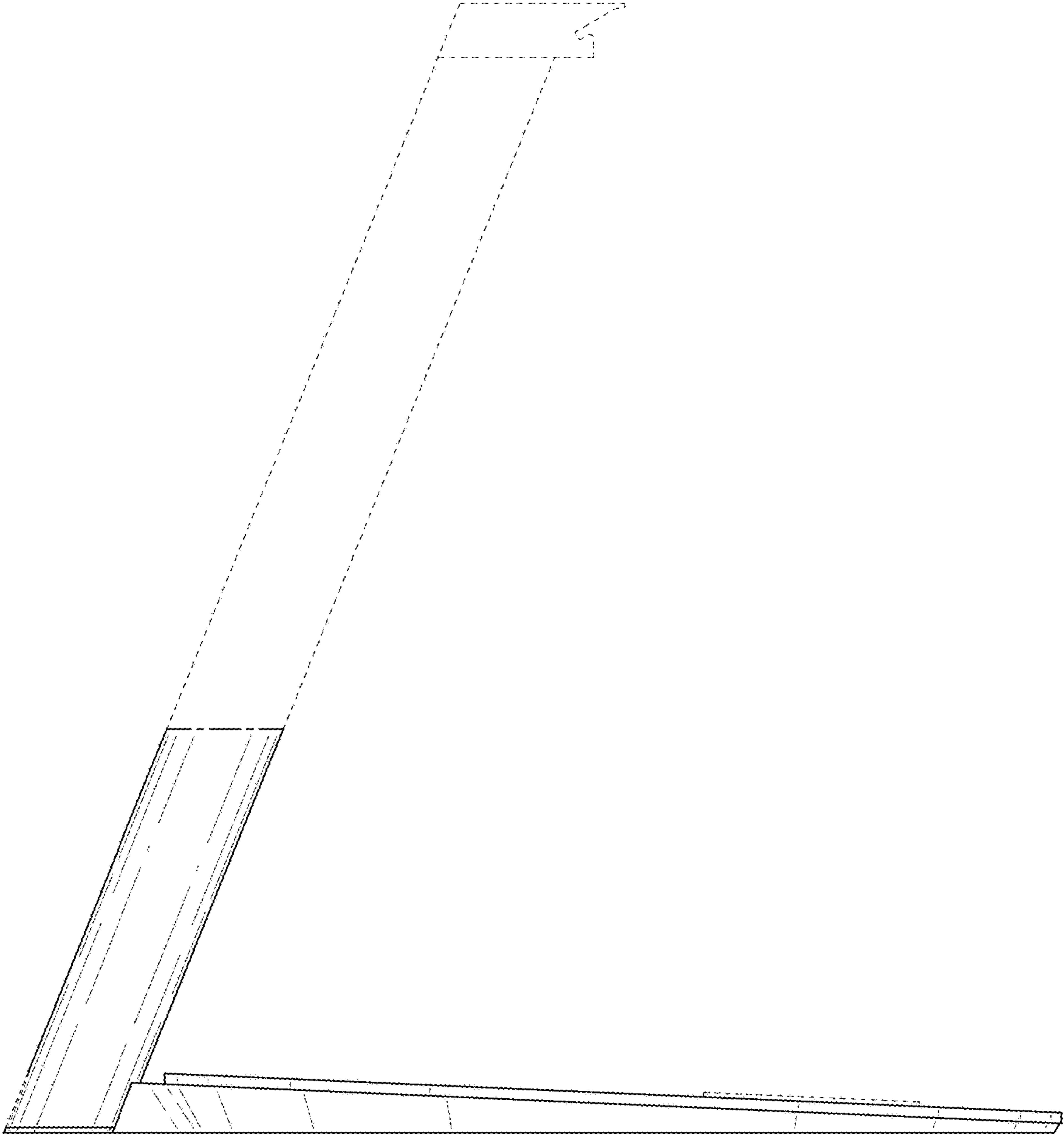


FIG. 5

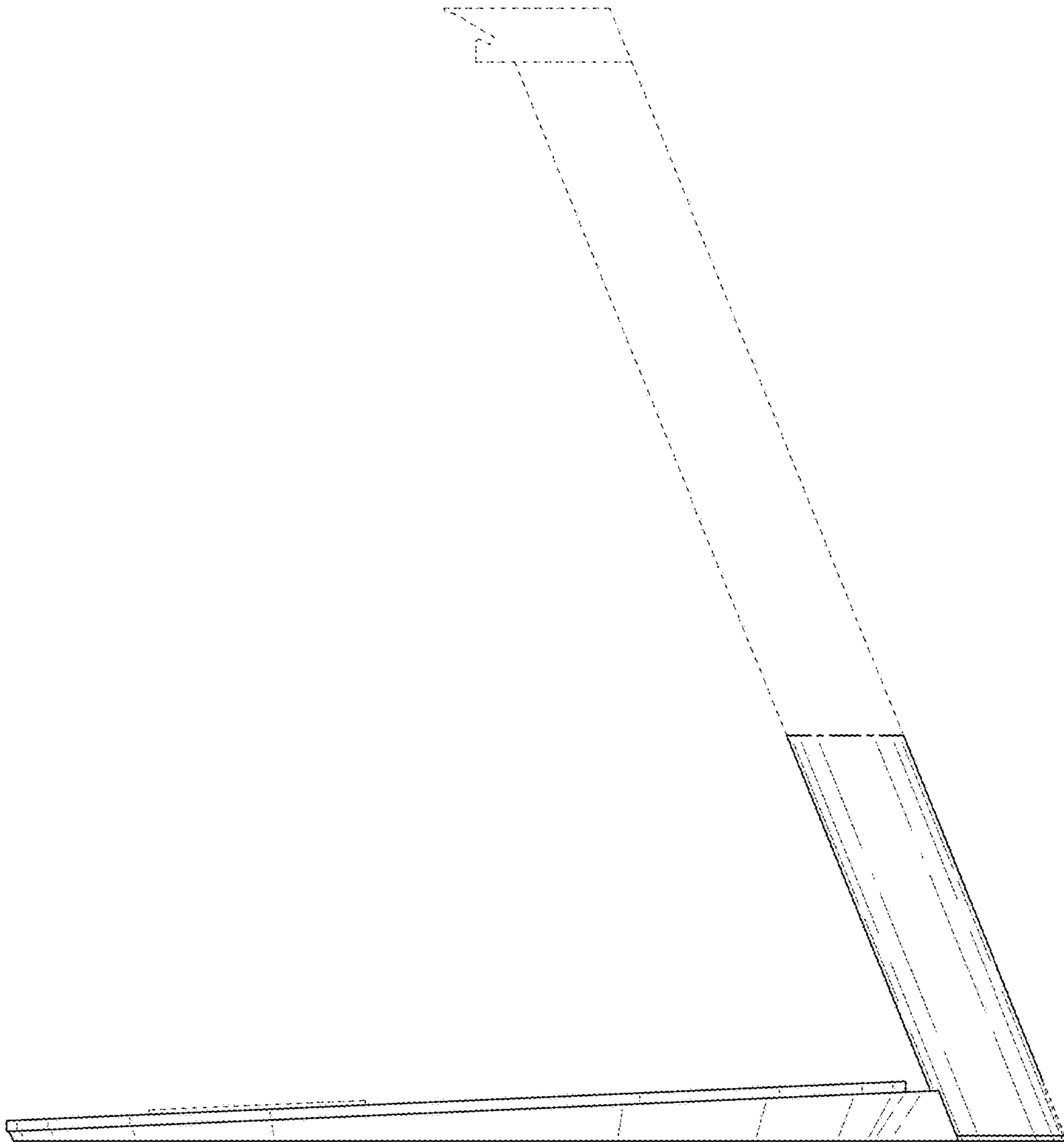


FIG. 6

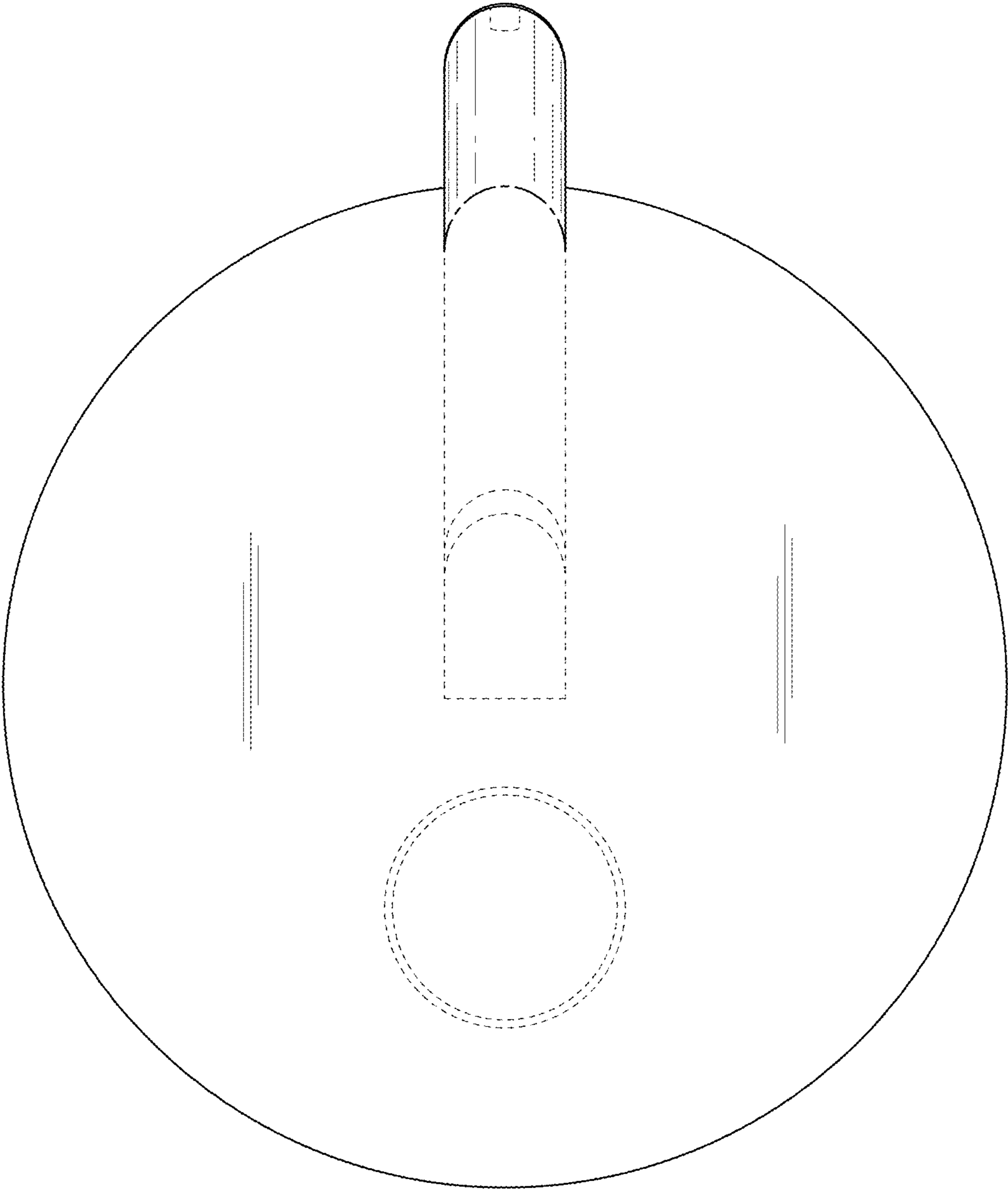


FIG. 7

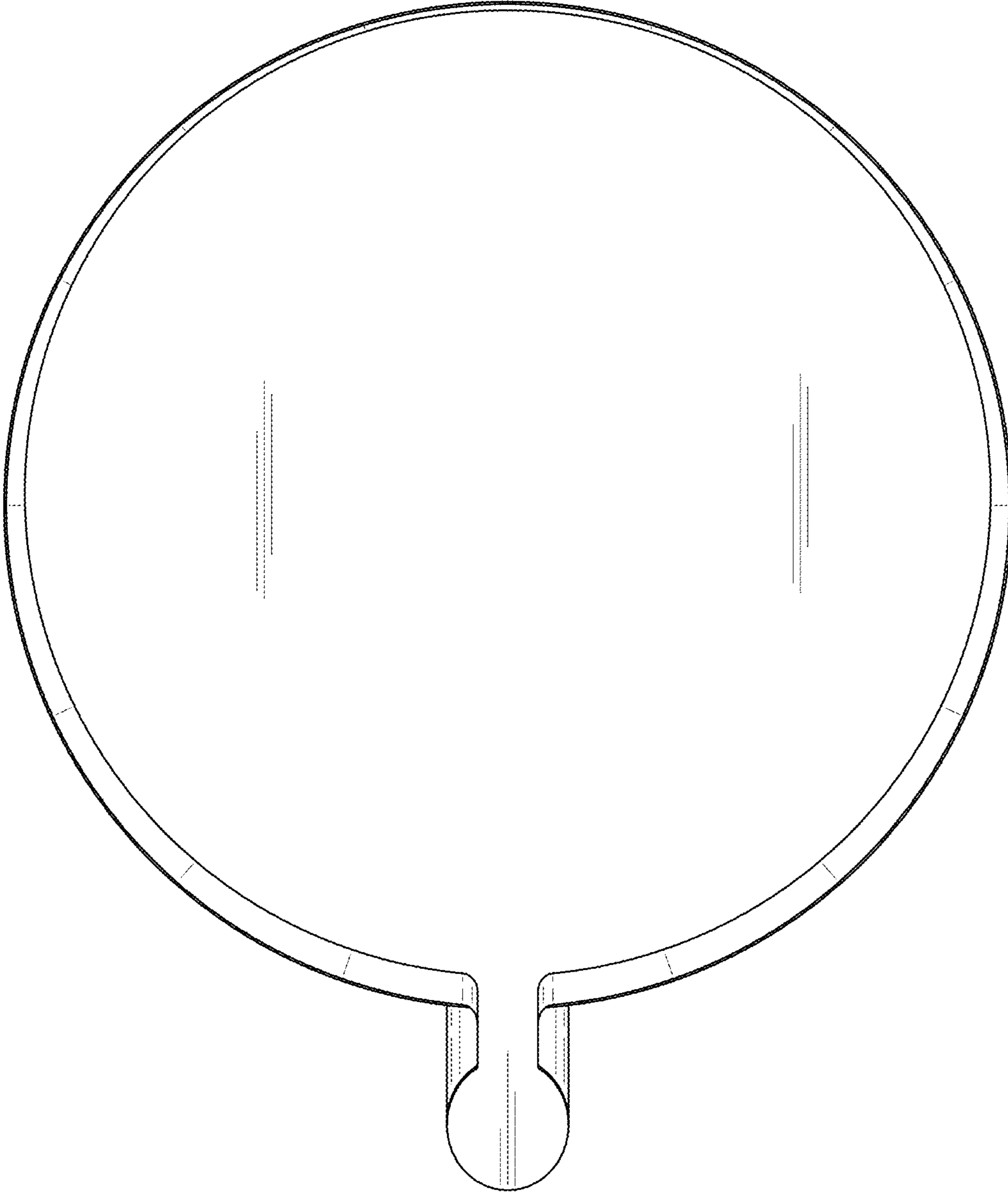


FIG. 8

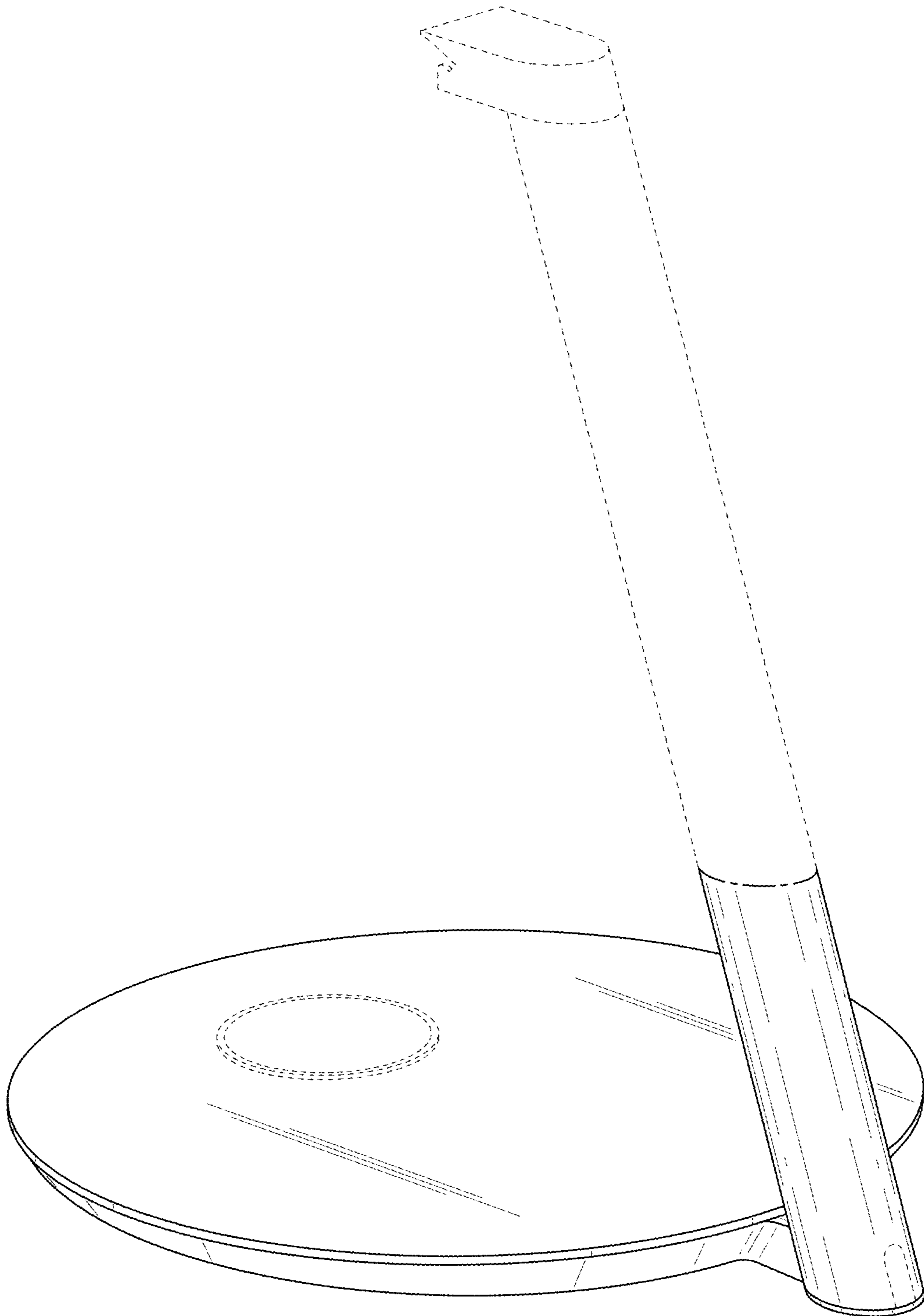


FIG. 9

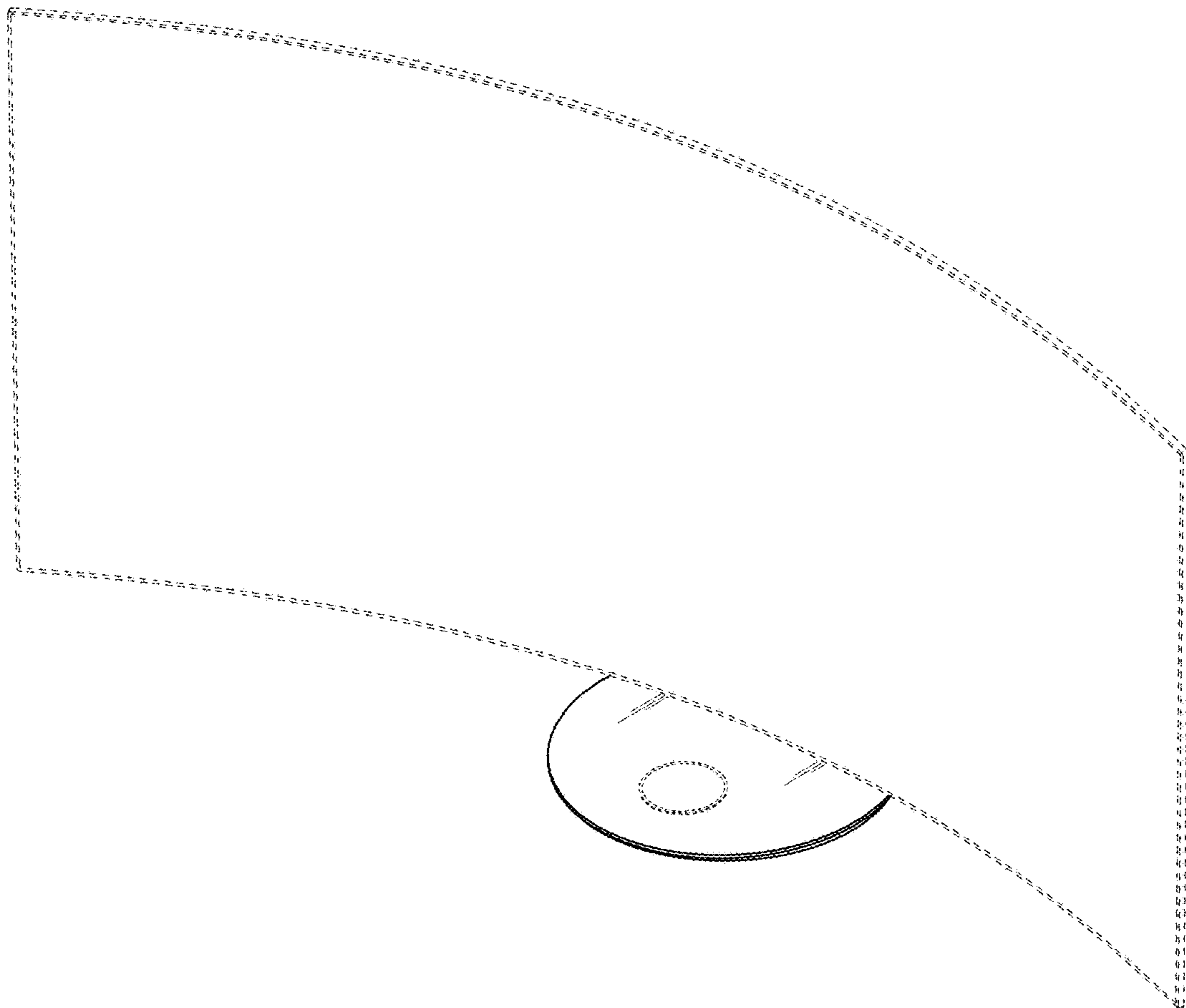


FIG. 10

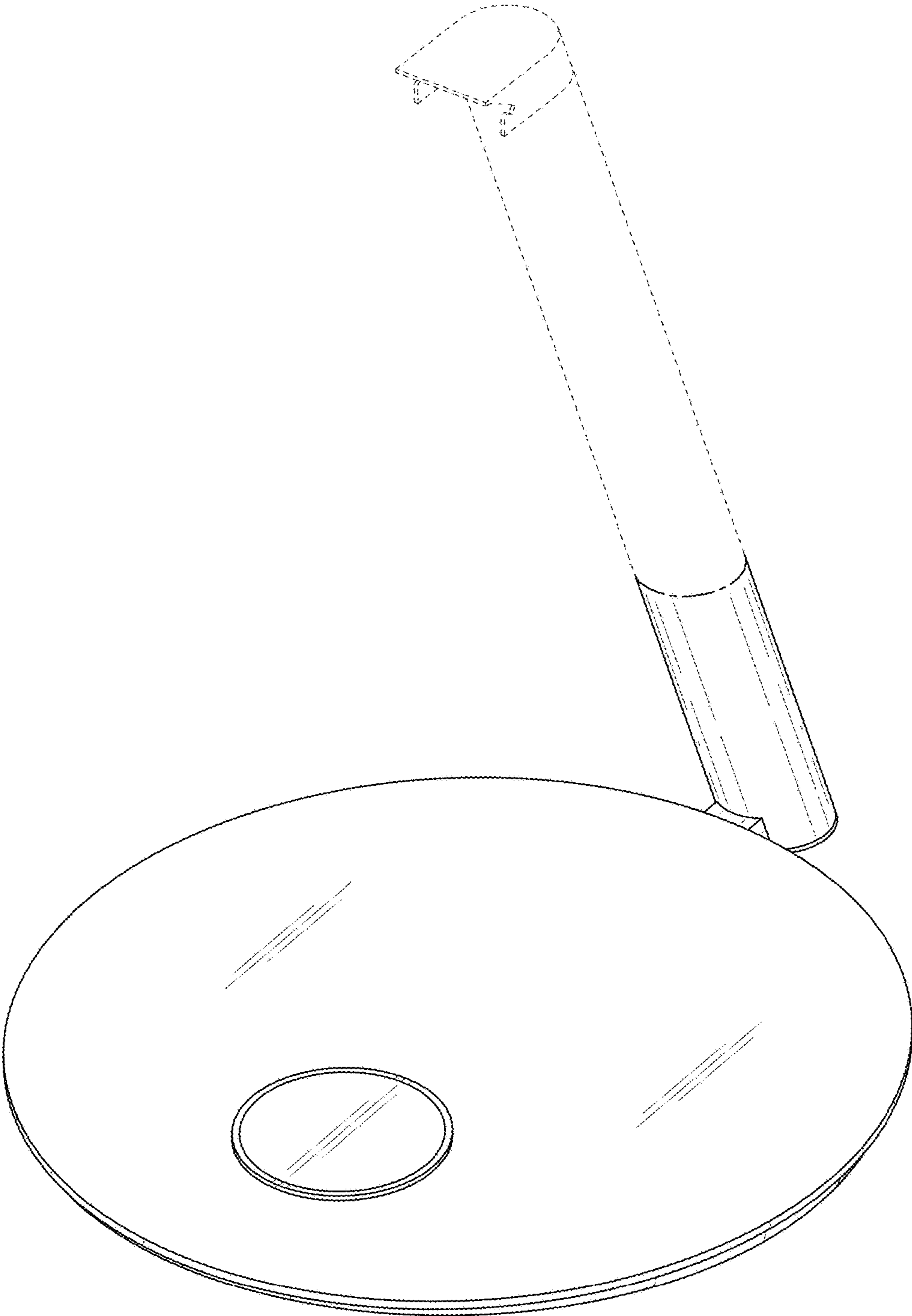


FIG. 11

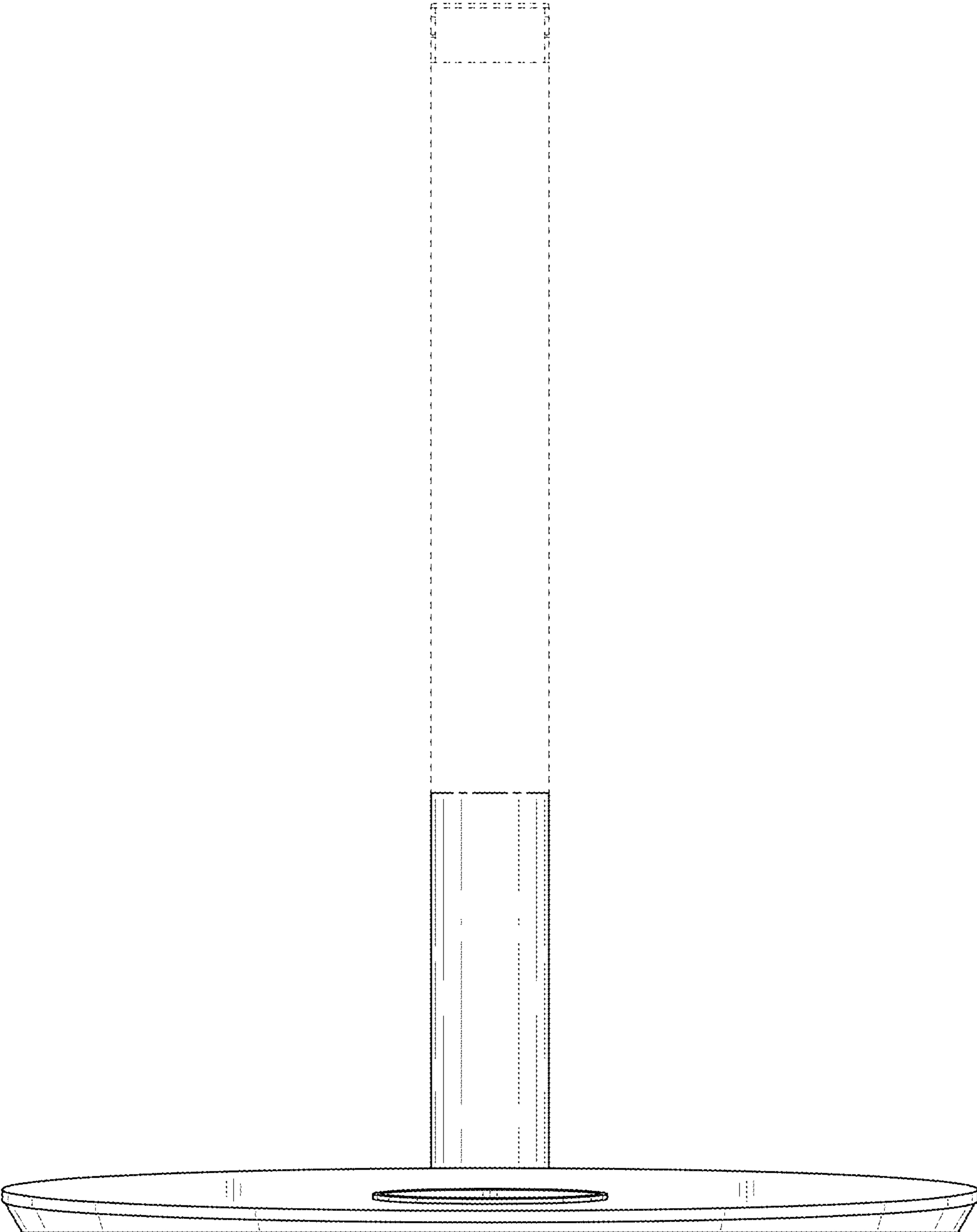


FIG. 12

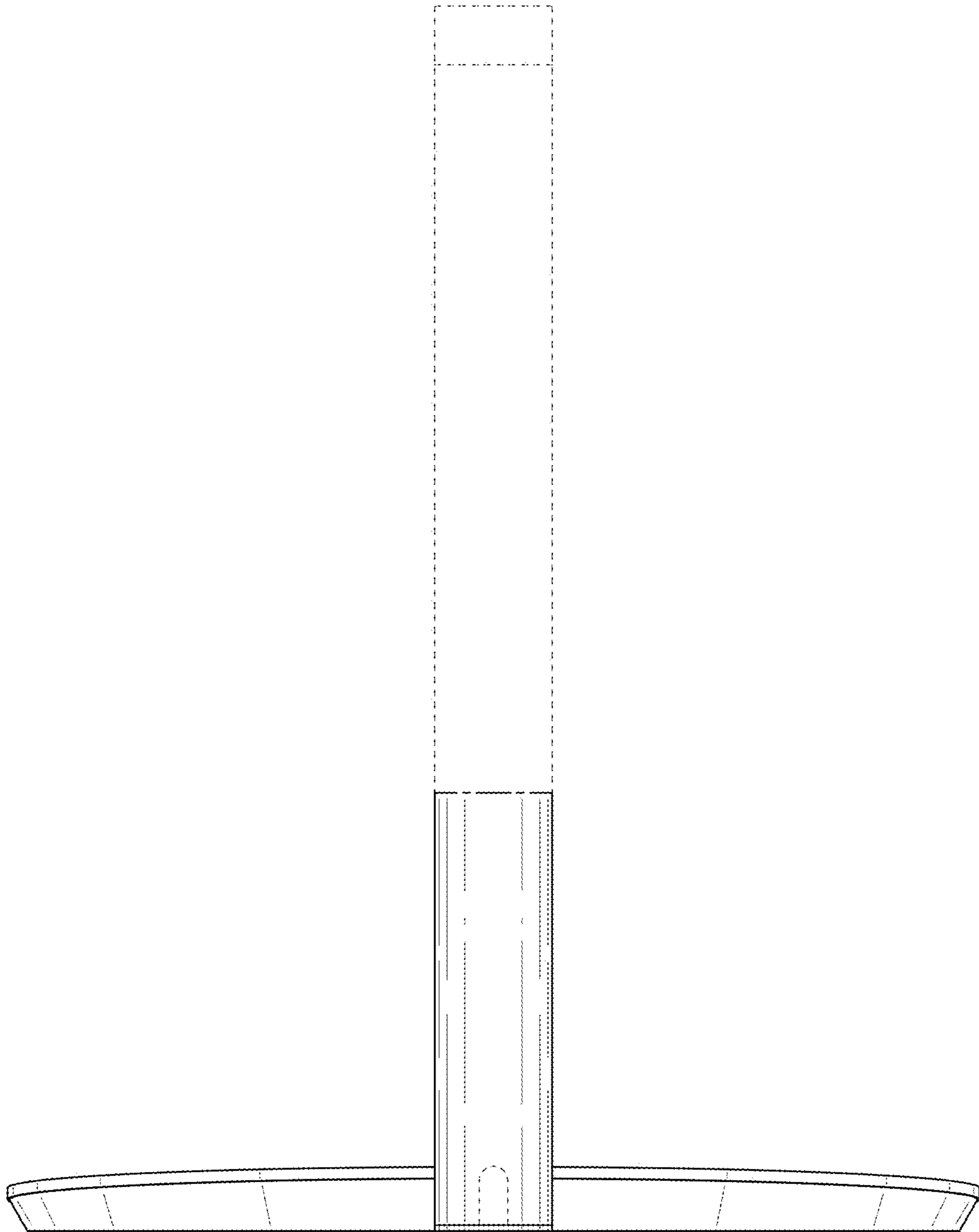


FIG. 13

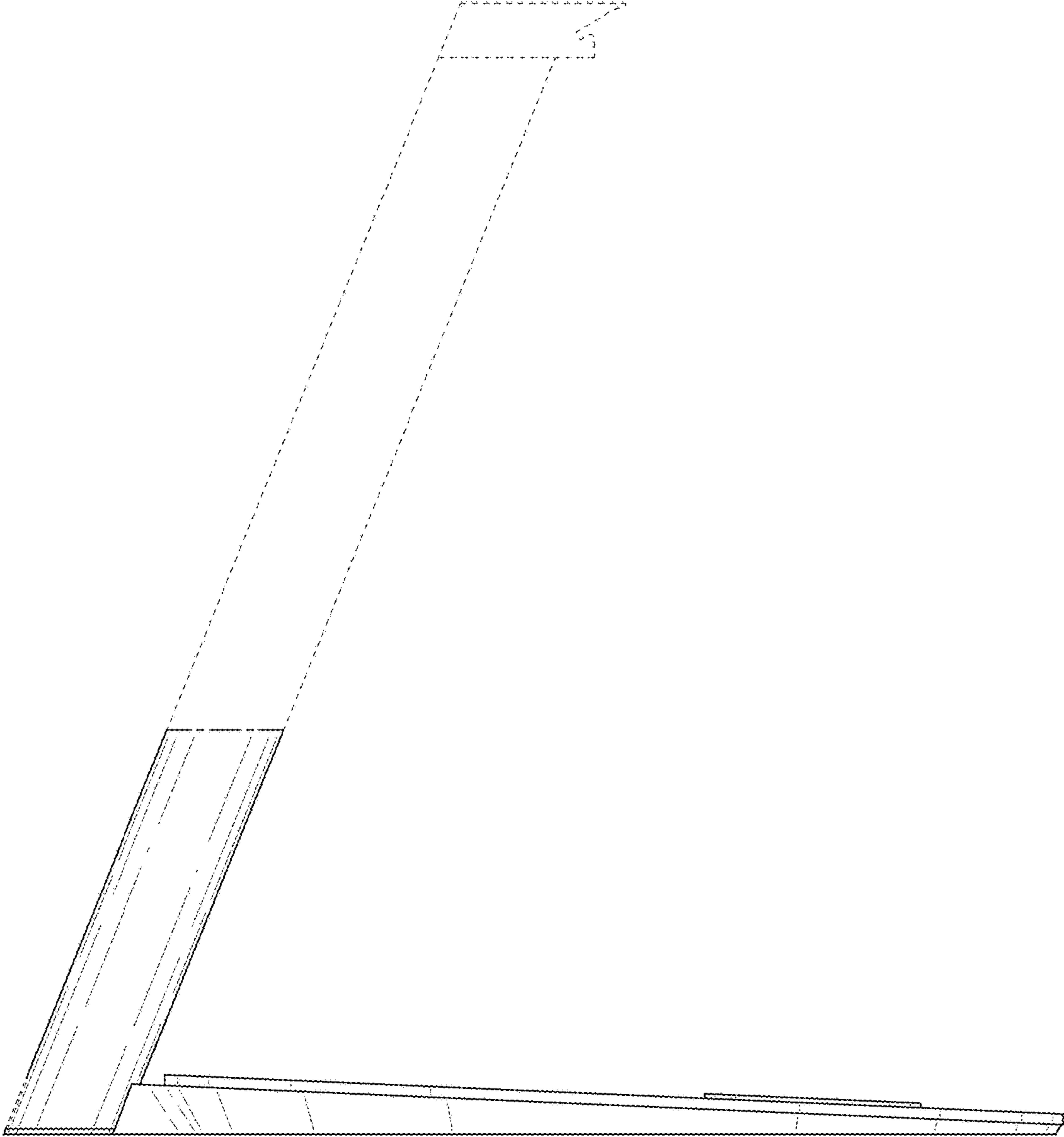


FIG. 14

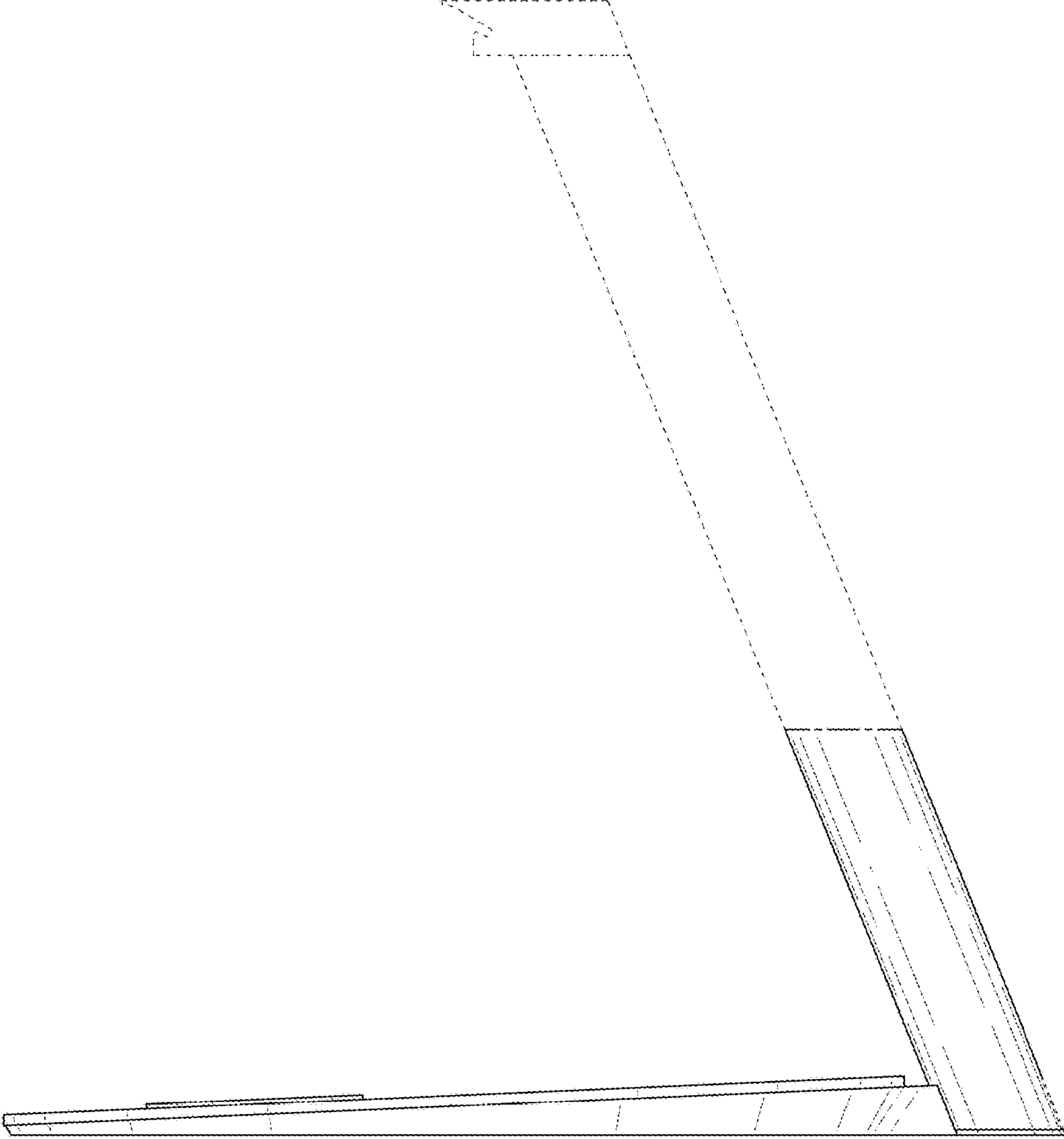


FIG. 15

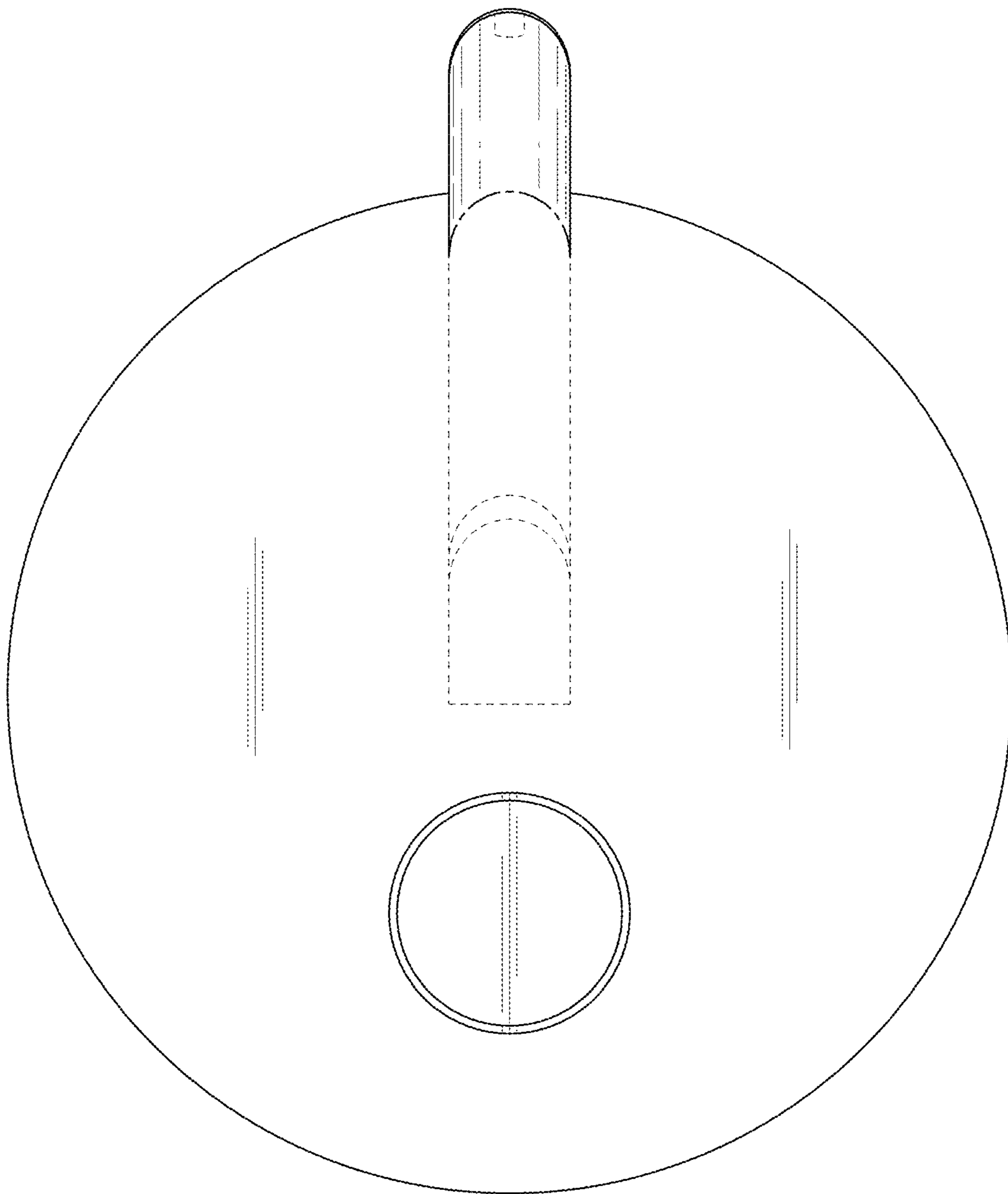


FIG. 16

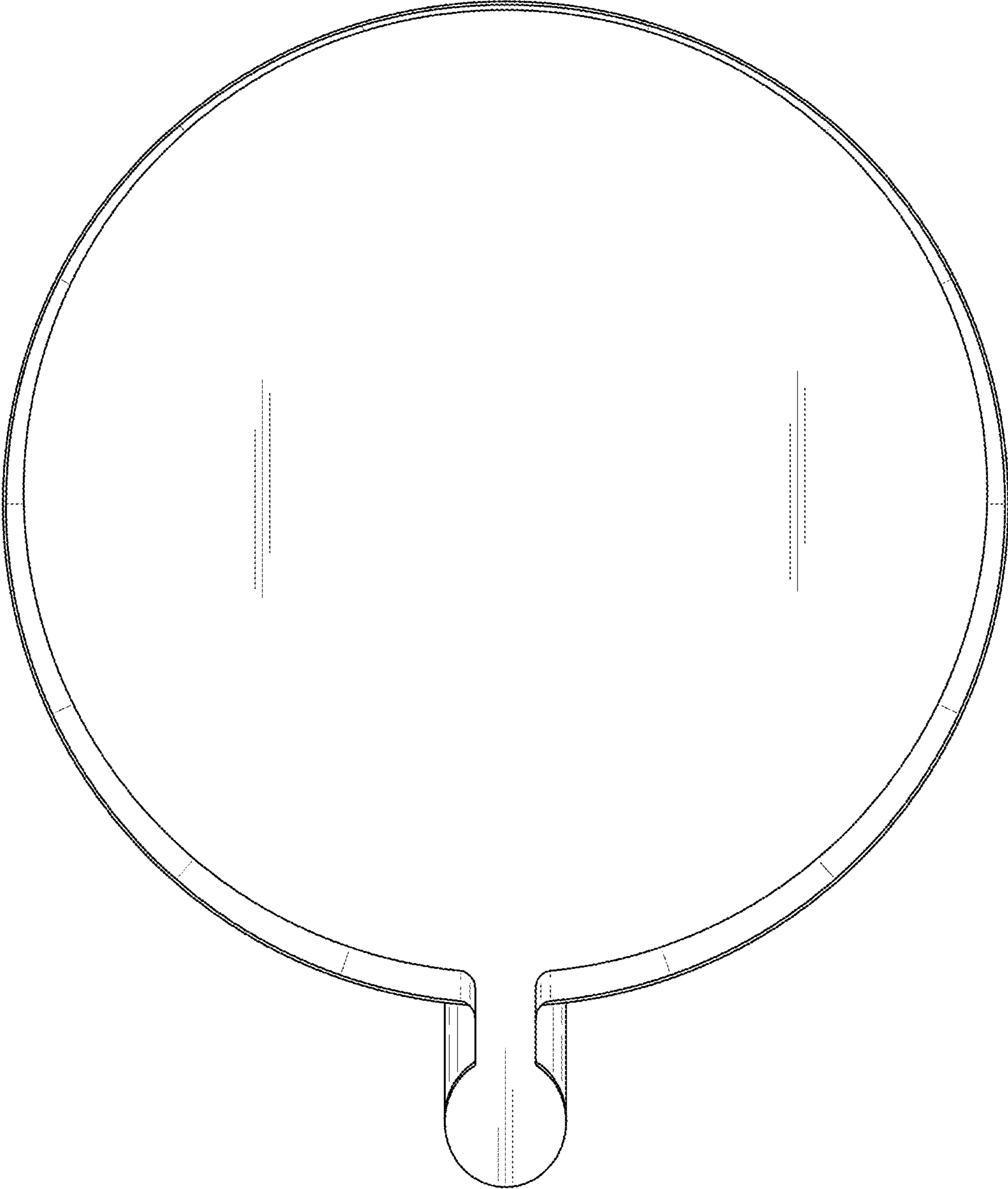


FIG. 17

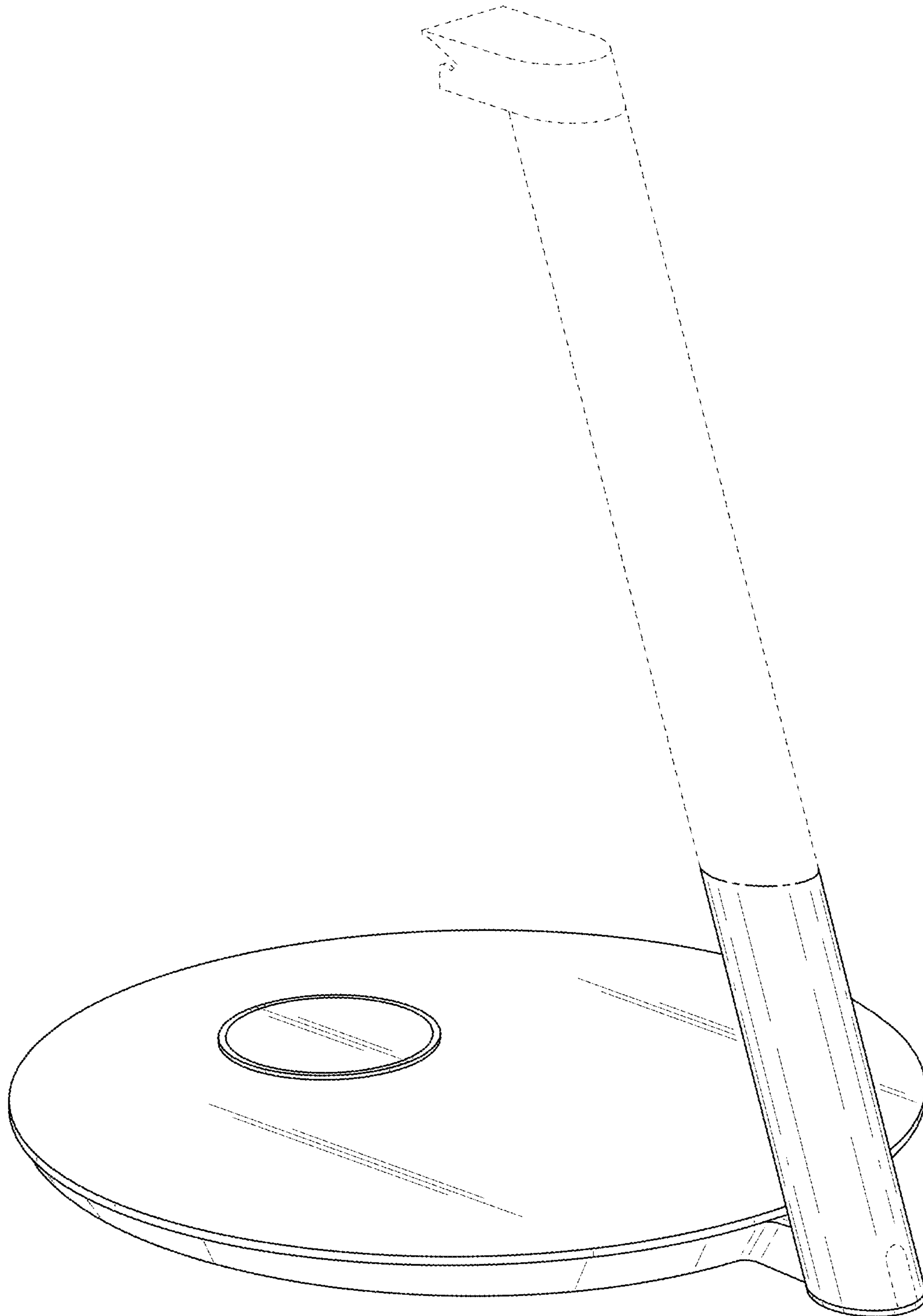


FIG. 18

