



US00D805521S

(12) **United States Design Patent** (10) **Patent No.:** **US D805,521 S**
Zhou (45) **Date of Patent:** **** Dec. 19, 2017**

(54) **ALL-IN-ONE COMPUTER**

FOREIGN PATENT DOCUMENTS

(71) Applicant: **LENOVO (BEIJING) CO., LTD.**,
Beijing (CN)

WO D091135-004 * 7/2016

(72) Inventor: **Ying Zhou**, Beijing (CN)

OTHER PUBLICATIONS

(73) Assignee: **LENOVO (BEIJING) CO., LTD.**,
Beijing (CN)

Best Buy Canada. <URL: <http://www.bestbuy.ca/en-ca/product/samsung-samsung-24-1080p-hd-60hz-4ms-led-monitor-ls24f350fhnxa-ls24f350fhnxa/10415154.aspx>> Aug. 22, 2016. Samsung LED Monitor.*

(**) Term: **15 Years**

Amazon. <URL: https://www.amazon.com/Lenovo-ThinkCentre-DiisplayPort-Professional-Refurbished/dp/B072KGSWWS/ref=sr_l_16?s=pc&ie=UTF8&qid=1501010851&sr=1-16&keywords=all+in+one+computer> Jun. 1, 2017. Lenovo ThinkCentre Monitor.*

(21) Appl. No.: **29/559,552**

(22) Filed: **Mar. 29, 2016**

* cited by examiner

(30) **Foreign Application Priority Data**

Dec. 9, 2015 (CN) 2015 3 0516247

Primary Examiner — Bridget L. Eland

(51) **LOC (10) Cl.** **14-02**

Assistant Examiner — Lauren McVey

(52) **U.S. Cl.**
USPC **D14/451**

(74) *Attorney, Agent, or Firm* — Oppedahl Patent Law Firm LLC

(58) **Field of Classification Search**
USPC D14/447-452, 336, 341, 371, 373, 374,
D14/375, 376, 377, 126, 127, 128, 129
CPC F16M 11/105; F16M 11/10; F16M 11/048;
F16M 11/12; F16M 13/022
See application file for complete search history.

(57) **CLAIM**

The ornamental design for an all-in-one computer, as shown and described.

(56) **References Cited**

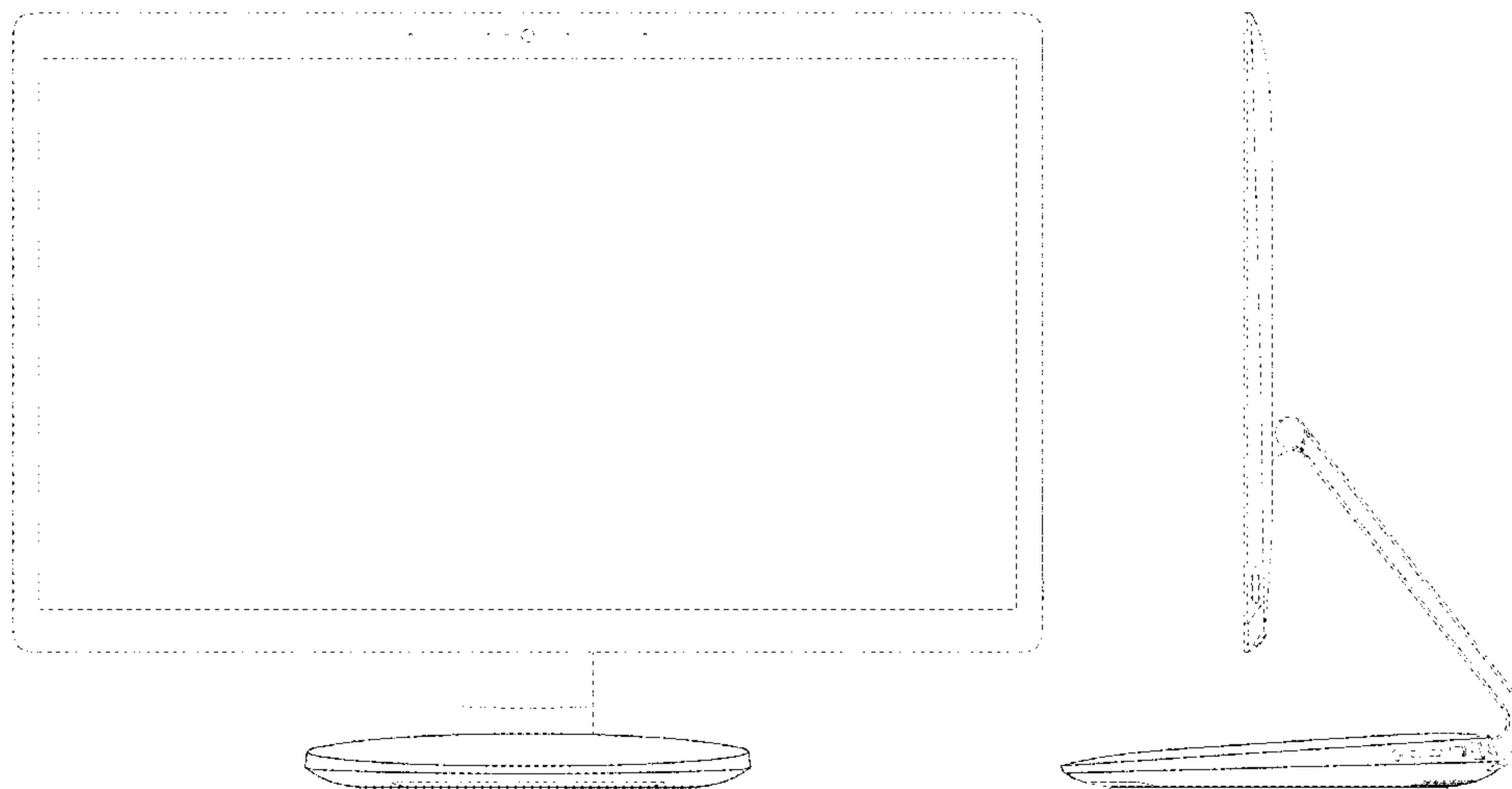
DESCRIPTION

U.S. PATENT DOCUMENTS

D512,424 S *	12/2005	Kim	D14/375
D556,755 S *	12/2007	Lee	D14/375
D592,621 S *	5/2009	Han	D14/126
D657,792 S *	4/2012	Lee	D14/374
D667,826 S *	9/2012	Lee	D14/374
D702,244 S *	4/2014	Seo	D14/451
D727,893 S *	4/2015	Lee	D14/336
D750,078 S *	2/2016	Kim	D14/375
D752,049 S *	3/2016	Lee	D14/375
D752,587 S *	3/2016	Gong	D14/375
D762,211 S *	7/2016	Lee	D14/371
D792,402 S *	7/2017	Gong	D14/374
2011/0096486 A1 *	4/2011	Oh	F16M 11/10 361/679.21

FIG. 1 is a front perspective view of an all-in-one computer showing my new design;
FIG. 2 is a front view thereof;
FIG. 3 is a back view thereof;
FIG. 4 is a left side view thereof;
FIG. 5 is a right side view thereof;
FIG. 6 is a top view thereof;
FIG. 7 is a bottom view thereof; and,
FIG. 8 is a back perspective view thereof.
The broken lines immediately adjacent to the claim represent the bounds of the claimed design while all other broken lines are directed to environment; the broken lines form no part of the claimed design.

1 Claim, 7 Drawing Sheets



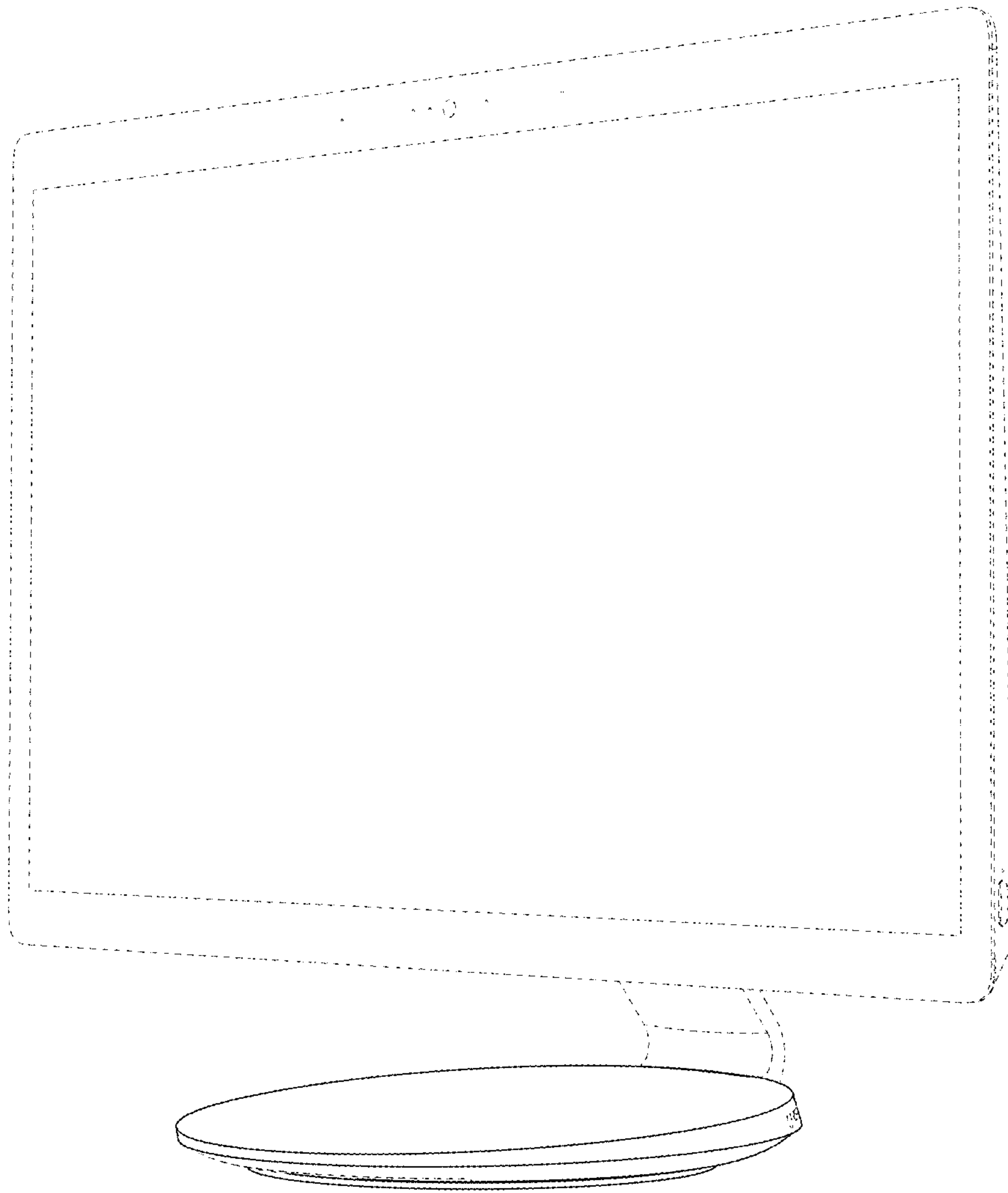


Fig. 1

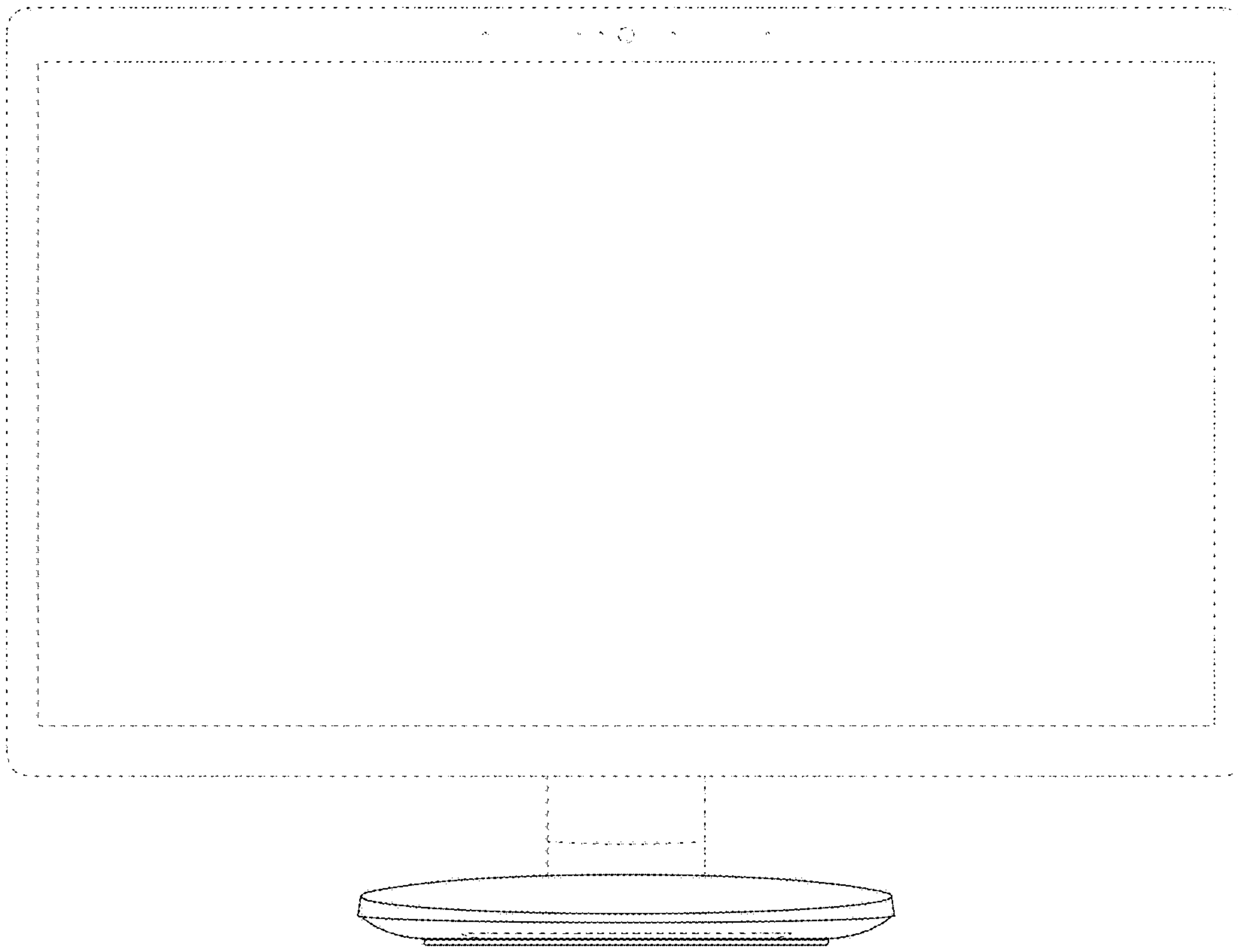


Fig. 2

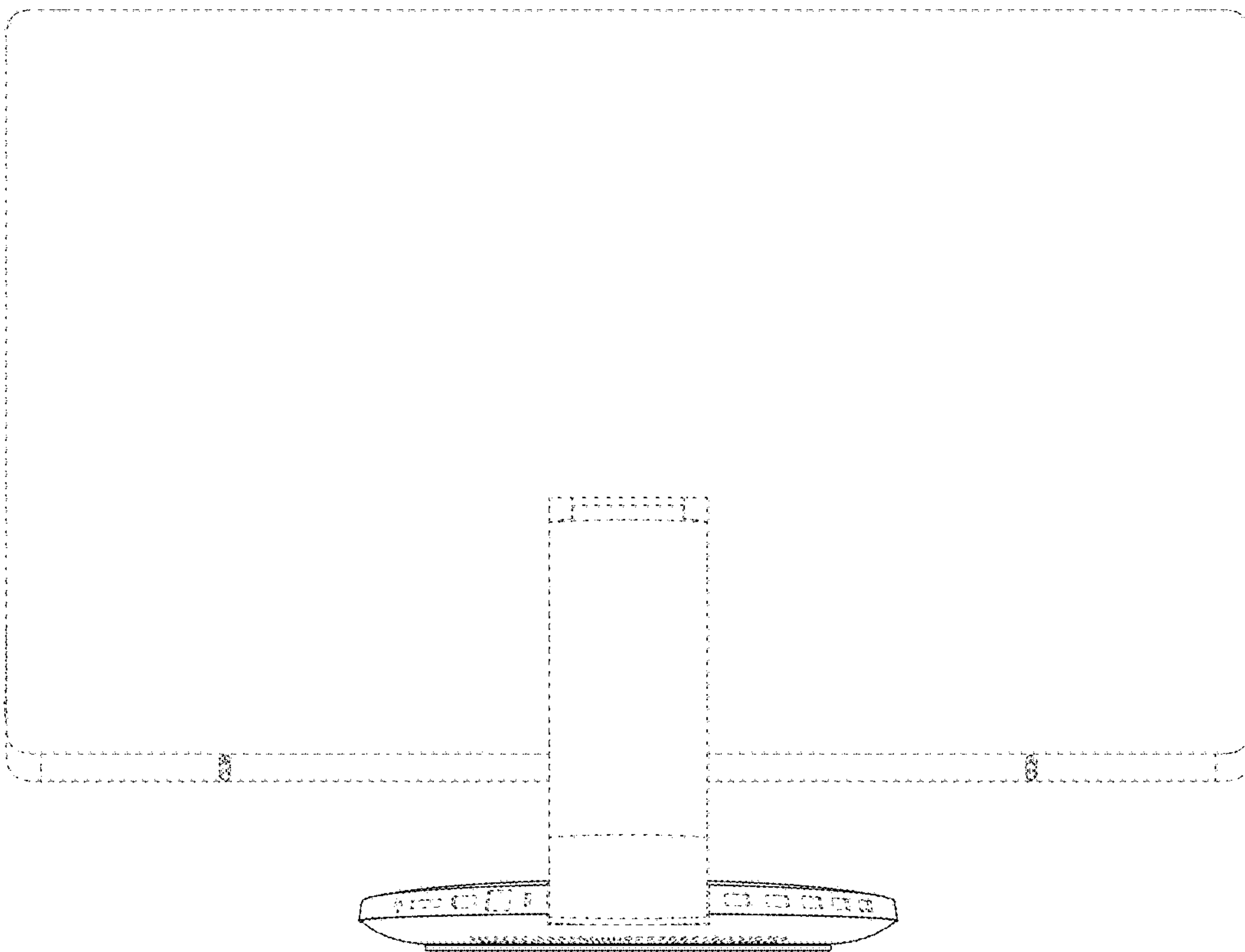


Fig. 3

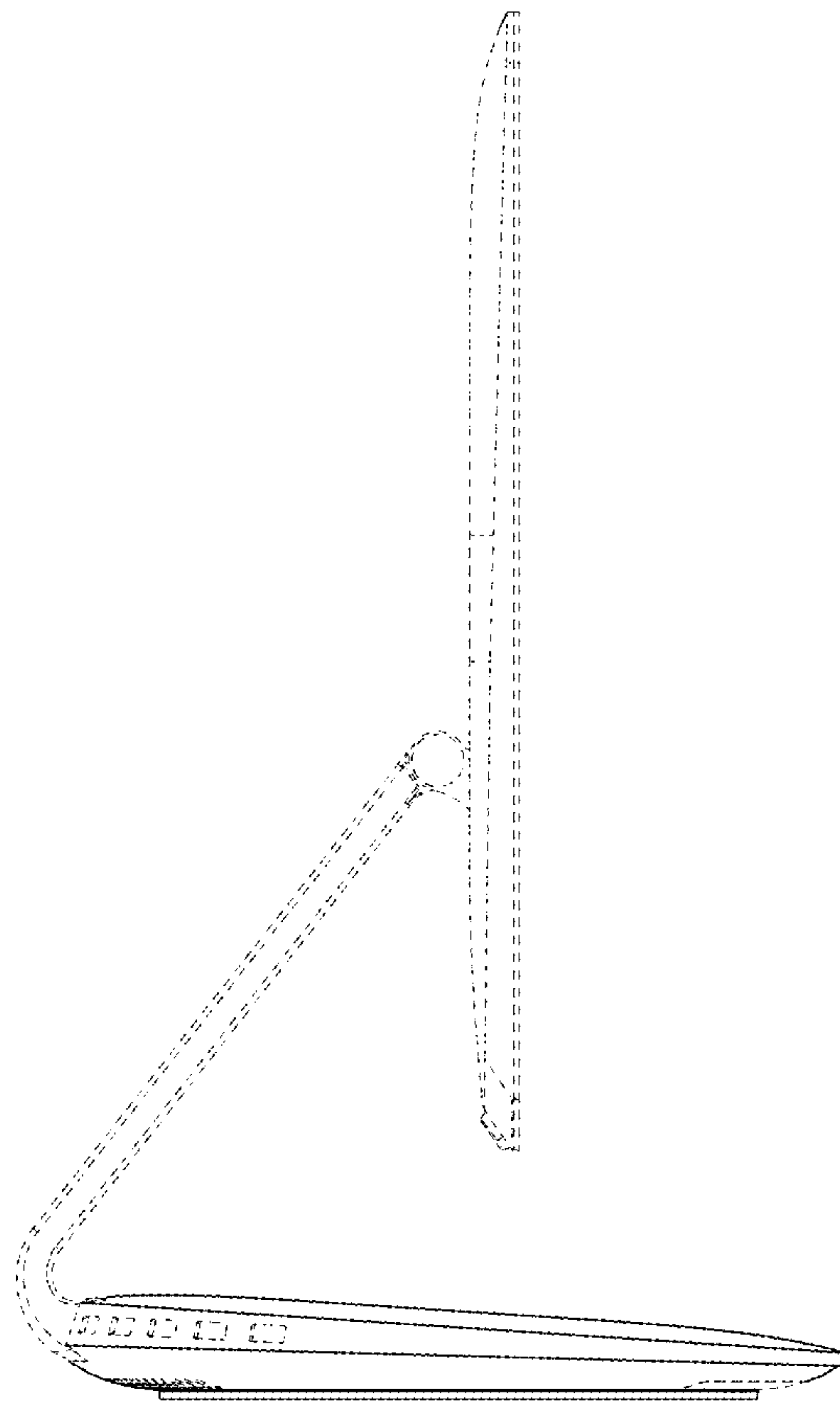


Fig. 4

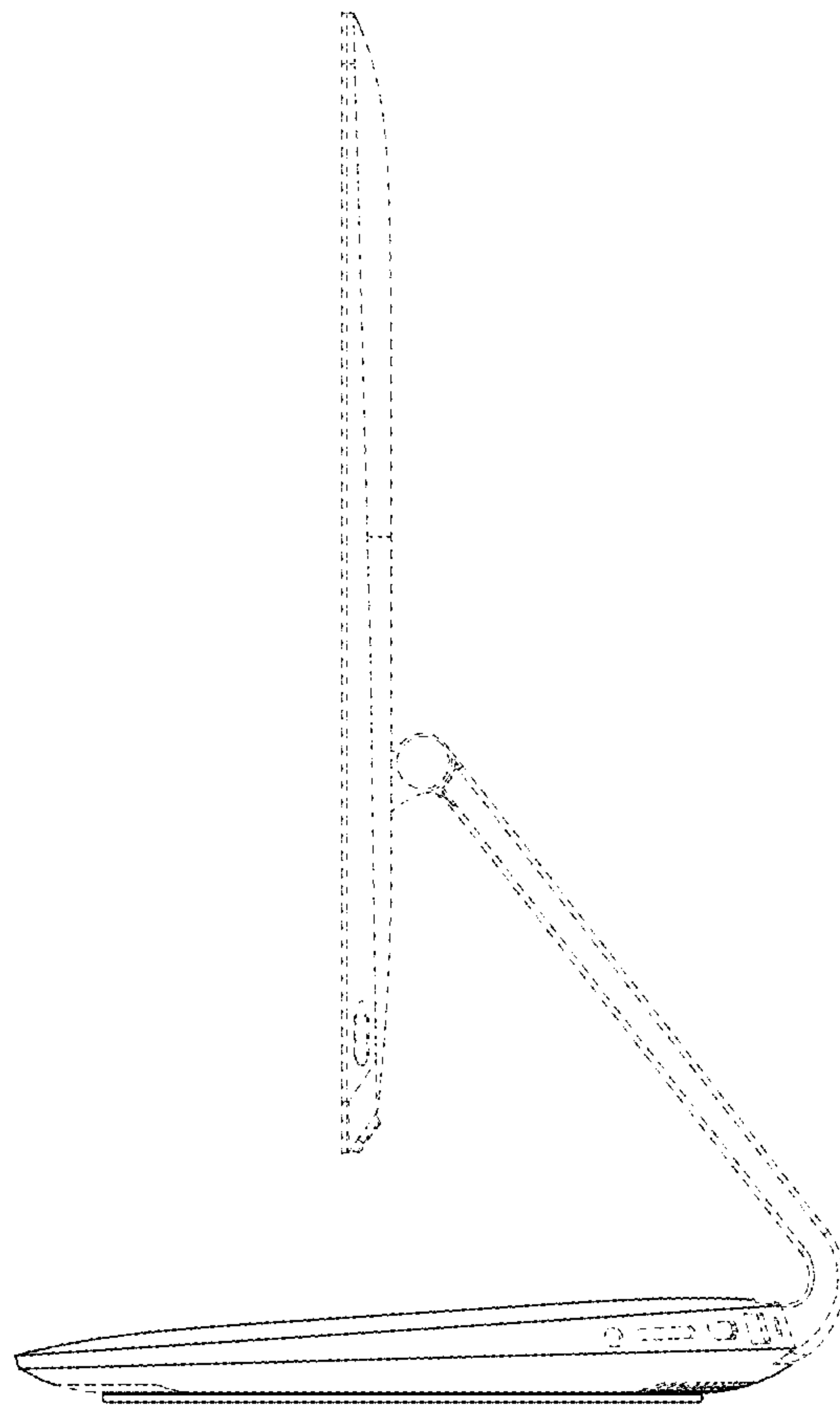


Fig. 5

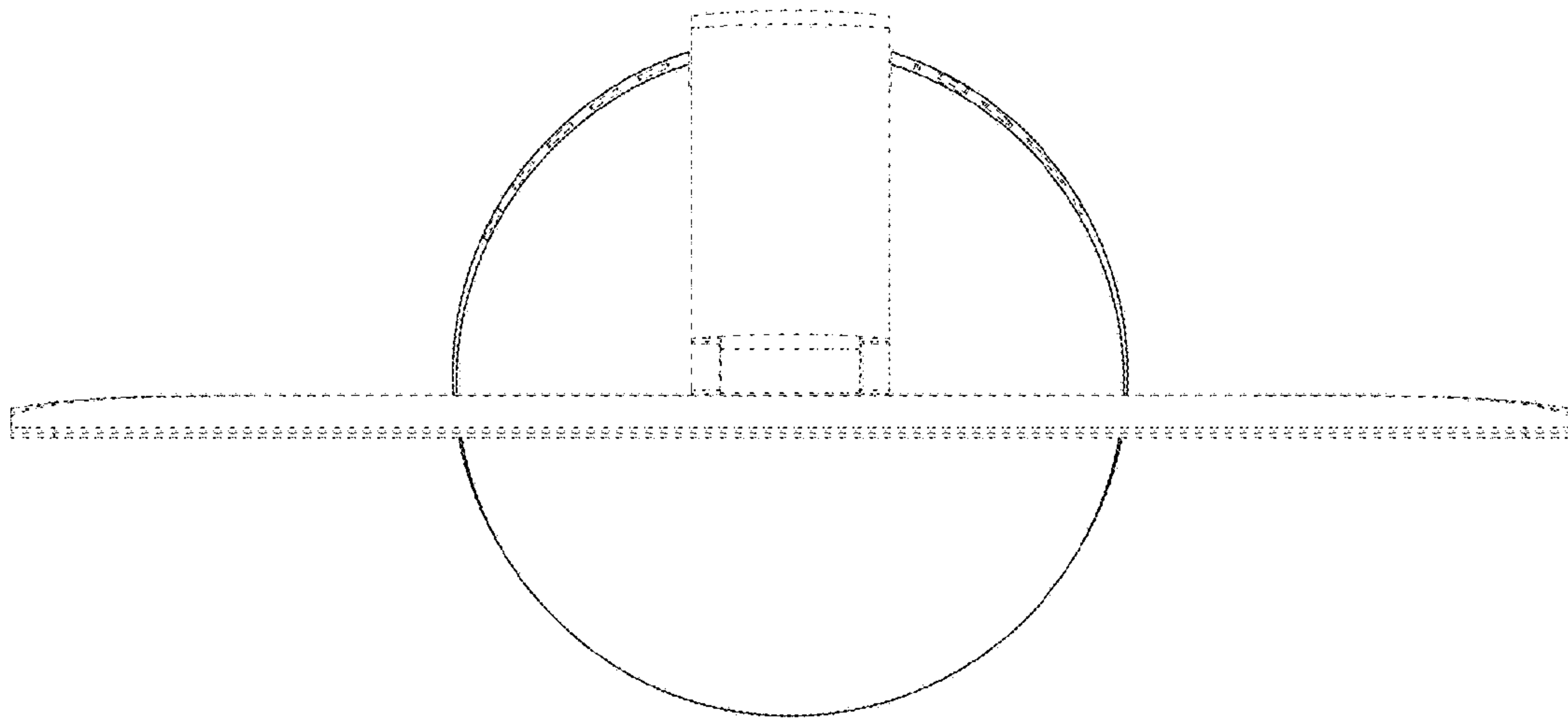


Fig. 6

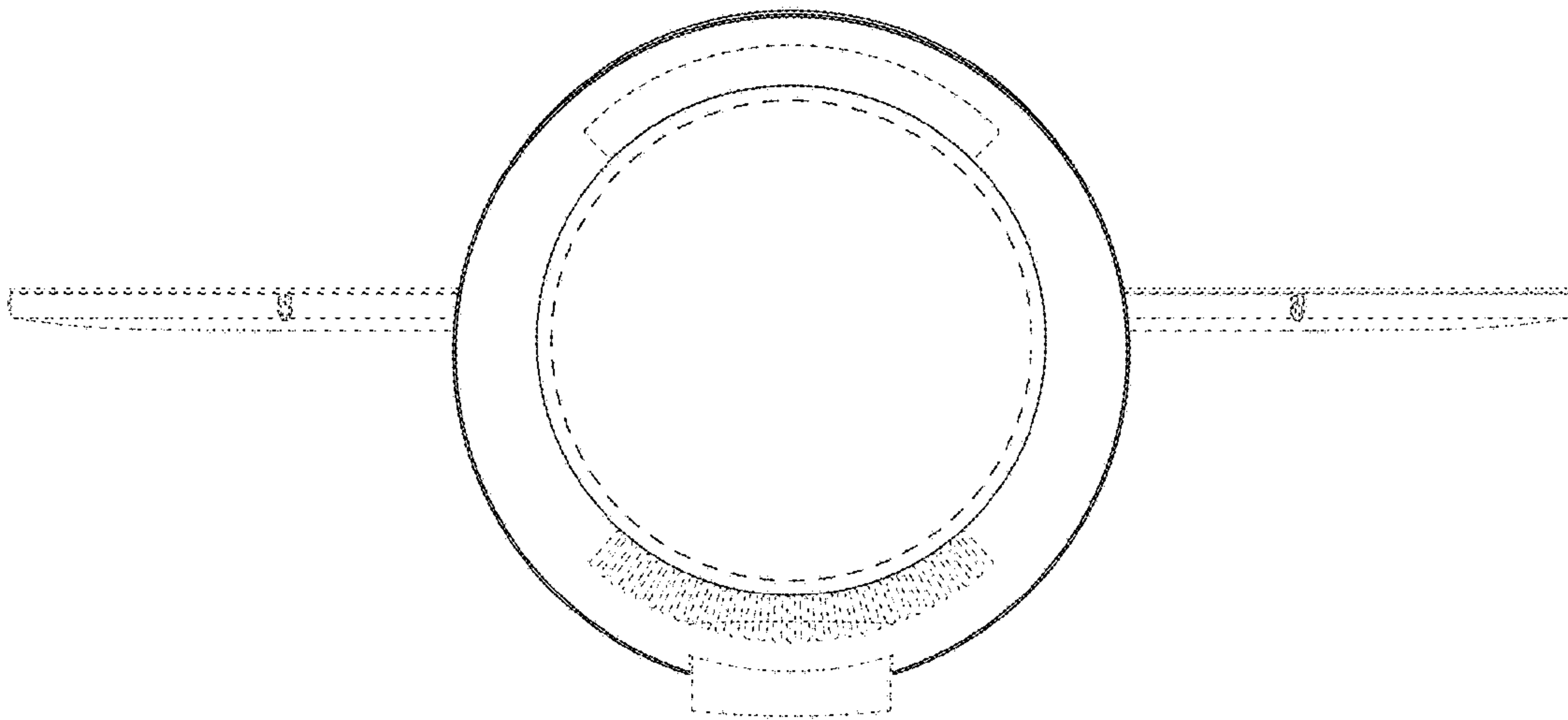


Fig. 7

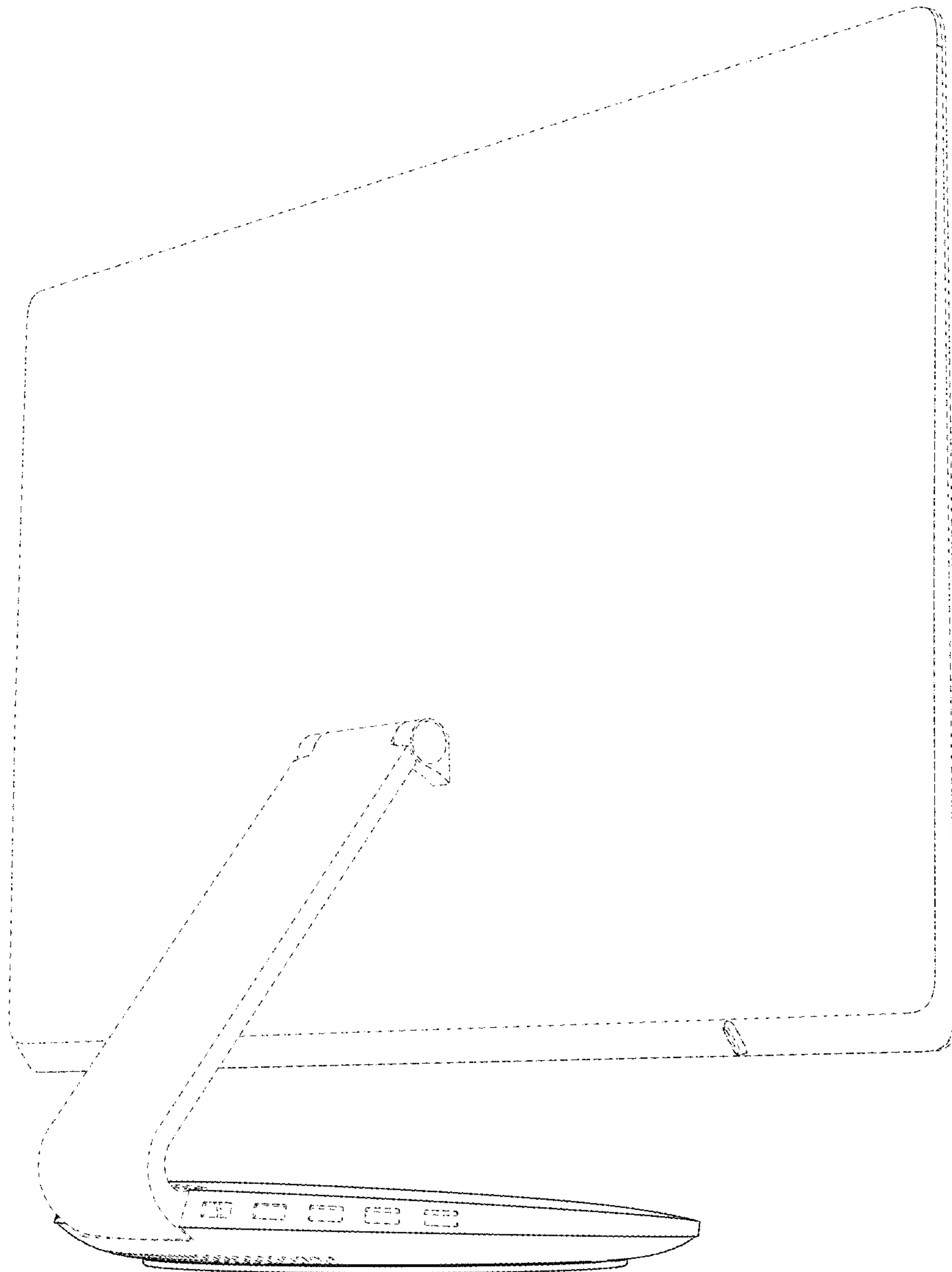


Fig. 8