



US00D805519S

(12) **United States Design Patent** (10) **Patent No.:** **US D805,519 S**
Diebel et al. (45) **Date of Patent:** **** *Dec. 19, 2017**

- (54) **CASE FOR ELECTRONIC TABLET**
- (71) Applicant: **Incase Designs Corp.**, Chino, CA (US)
- (72) Inventors: **Markus Diebel**, San Francisco, CA (US); **Scott Davis**, Fairfax, CA (US); **Luke Arthur Pushee**, San Francisco, CA (US); **Bruce Owyong**, San Francisco, CA (US); **Timothy Ahn**, Dublin, CA (US)
- (73) Assignee: **Incase Designs Corp.**, Chino, CA (US)
- (*) Notice: This patent is subject to a terminal disclaimer.
- (**) Term: **14 Years**
- (21) Appl. No.: **29/524,250**
- (22) Filed: **Apr. 17, 2015**

Related U.S. Application Data

- (63) Continuation of application No. 29/427,146, filed on Jul. 13, 2012, now abandoned.
- (51) **LOC (10) Cl.** **14-02**
- (52) **U.S. Cl.**
USPC **D14/440**
- (58) **Field of Classification Search**
USPC D14/250, 440, 447; 206/45.23, 320, 206/45.2; 361/679.55; 294/25; 224/218;
1/1
CPC G06F 1/1628; G06F 1/1613; G06F 1/1626; A47B 23/044
See application file for complete search history.

(56) **References Cited**

U.S. PATENT DOCUMENTS

5,607,054 A 3/1997 Hollingsworth
7,545,634 B2 6/2009 Simonian et al.

- D669,889 S * 10/2012 Li D14/248
 - D671,745 S * 12/2012 Wyner D3/301
 - 8,757,375 B2 6/2014 Huang
 - D723,040 S * 2/2015 Kang D14/440
 - D726,191 S * 4/2015 Tseng D14/440
 - D727,915 S * 4/2015 Mecchella D14/440
 - D728,579 S * 5/2015 Mecchella D14/440
 - D730,913 S * 6/2015 Shao D14/440
 - D743,406 S * 11/2015 Mecchella D14/440
 - D743,967 S * 11/2015 Huang D14/440
 - D749,078 S * 2/2016 Bertrand D14/440
 - D750,632 S * 3/2016 Diebel D14/440
 - D752,593 S * 3/2016 Diebel D14/440
 - 2003/0024970 A1 2/2003 Lonergan
 - 2011/0290687 A1 12/2011 Han
 - 2012/0043234 A1 2/2012 Westrup
- (Continued)

OTHER PUBLICATIONS

Pong iPad 2 Case Product Reference, Mar. 7, 2012, 14 pages.
(Continued)

Primary Examiner — Cynthia Underwood
(74) *Attorney, Agent, or Firm* — Aka Chan LLP

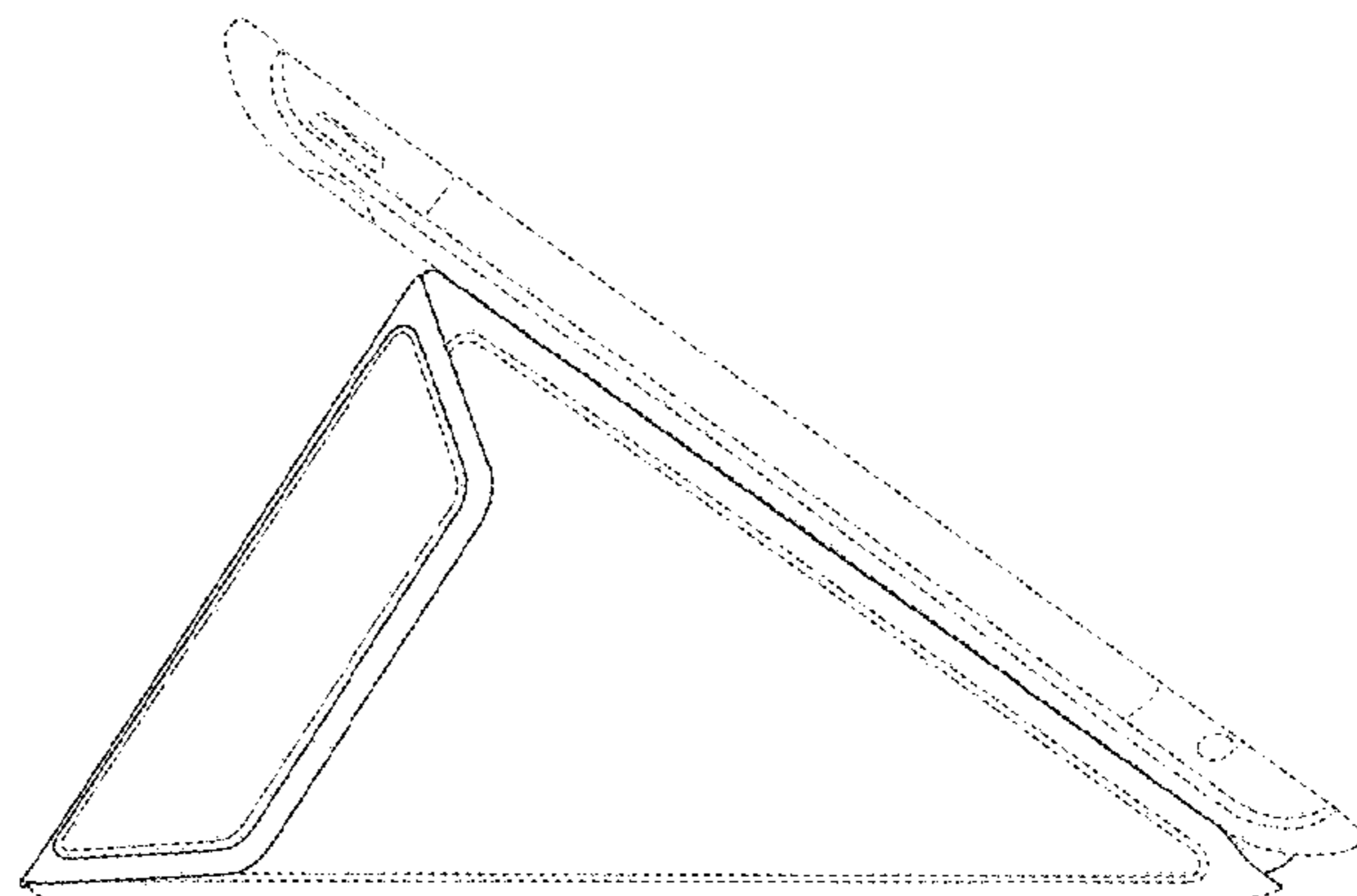
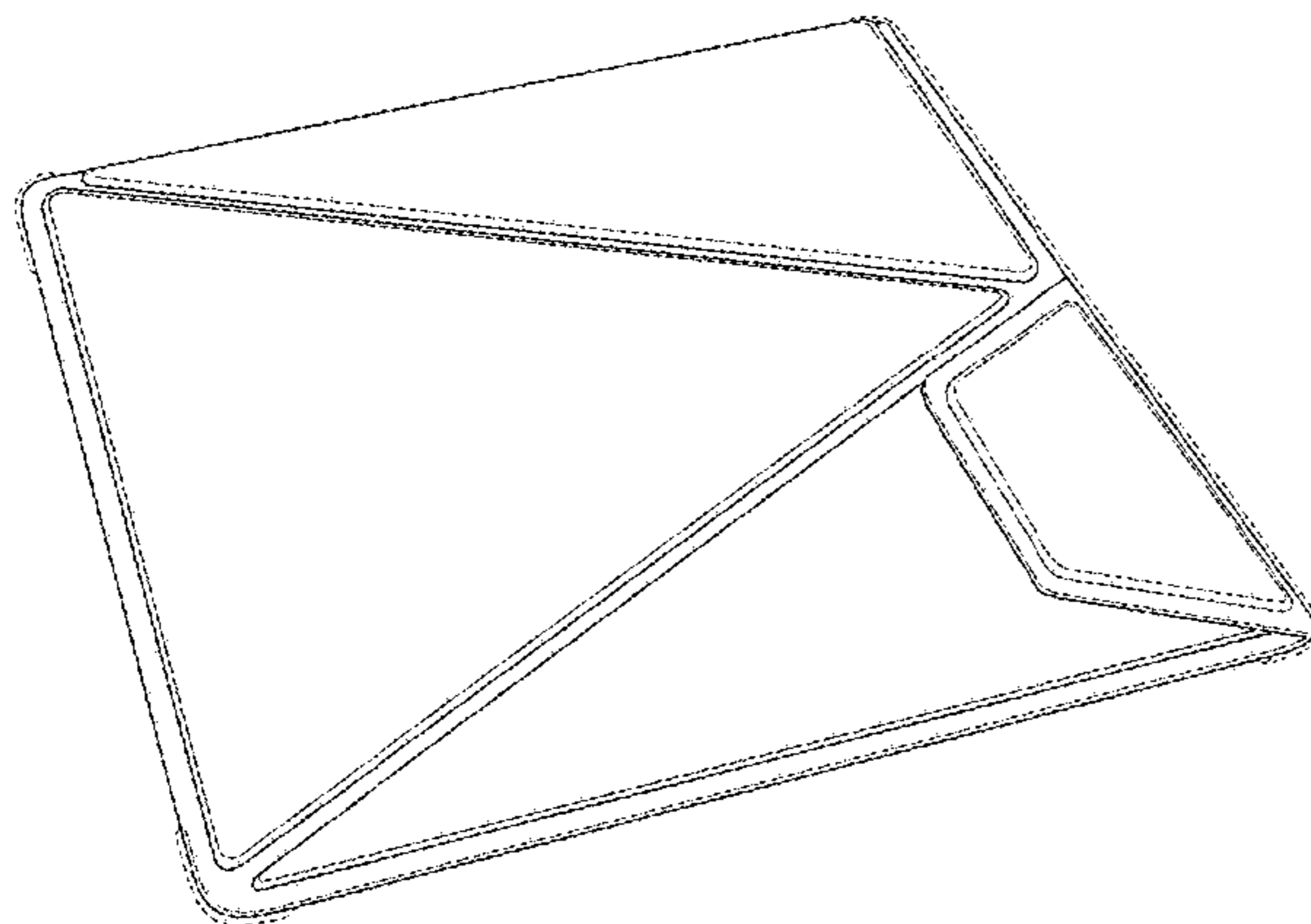
(57) **CLAIM**

The ornamental design for a case for an electronic tablet, as shown and described.

DESCRIPTION

FIG. 1 shows a perspective view of a design of case for an electronic tablet.
FIG. 2 shows a top view of the design.
FIG. 3 shows a bottom view of the design.
FIG. 4 shows a left side view of the design folded into a first stand position in use with an electronic tablet; and,
FIG. 5 shows a back perspective view of the design folded into a second stand position in use with an electronic tablet.
The broken lines depict environmental subject matter and form no part of the claim.

1 Claim, 5 Drawing Sheets



(56)

References Cited

U.S. PATENT DOCUMENTS

2012/0181195 A1 7/2012 Lu et al.
2012/0211613 A1 8/2012 Yang et al.
2012/0305413 A1 12/2012 Chung
2013/0001107 A1 1/2013 Armstrong
2013/0020214 A1 1/2013 Chiou
2013/0020216 A1 1/2013 Chiou
2013/0043148 A1 2/2013 Chen et al.
2013/0258586 A1* 10/2013 Shao A45C 11/00
361/679.55

OTHER PUBLICATIONS

Incase Origami Sleeve Product Reference, Nov. 3, 2010, 9 pages.
iLuv OrigamiFolio Product Reference, Mar. 7, 2012, 13 pages.
Acme Made Orikata Product Reference, Aug. 15, 2011, 20 pages.
U.S. Appl. No. 13/841,151, filed Mar. 15, 2013.
U.S. Appl. No. 14/077,153, filed Nov. 11, 2013.
U.S. Appl. No. 14/189,990, filed Feb. 25, 2014.

* cited by examiner

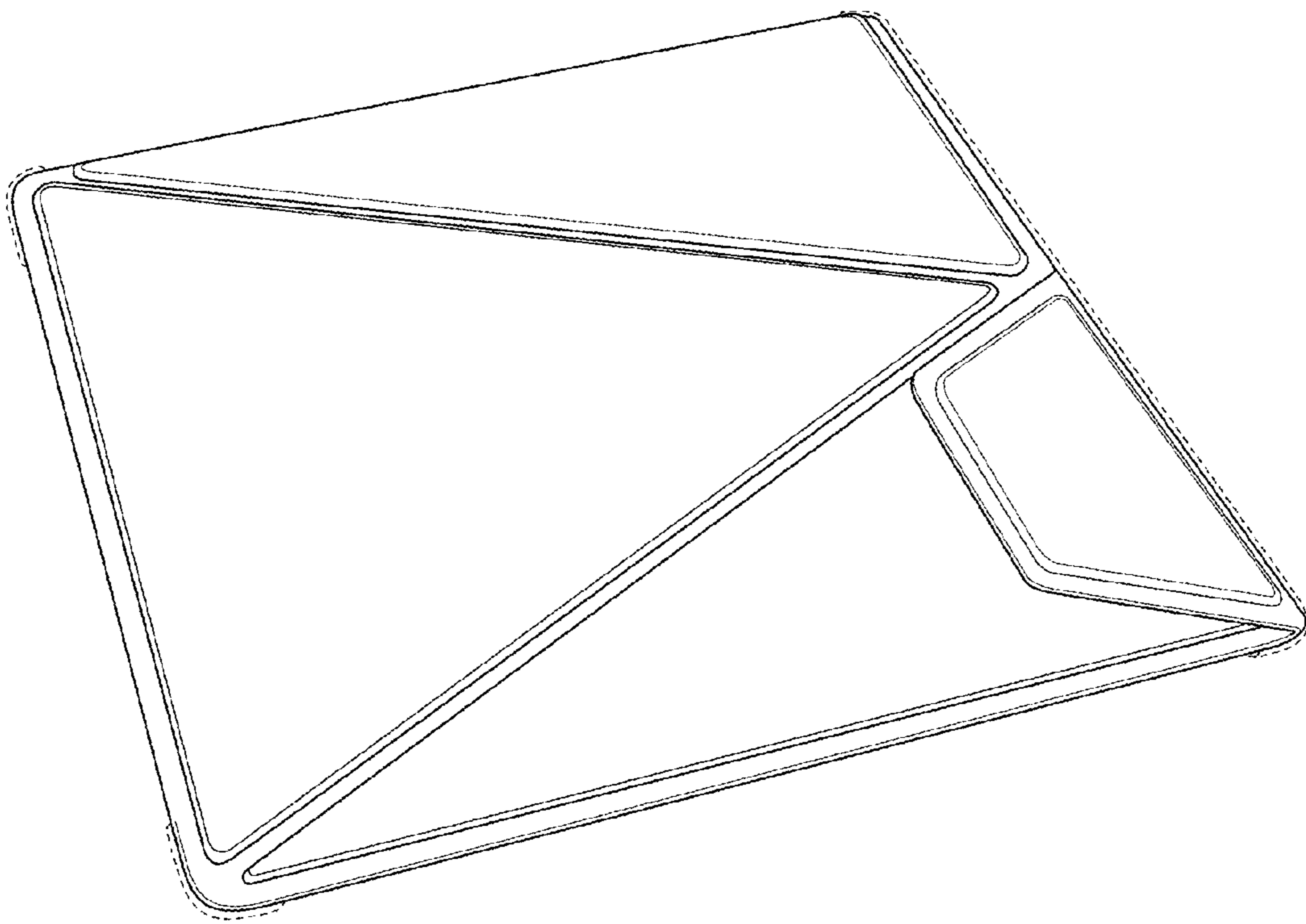


FIG. 1

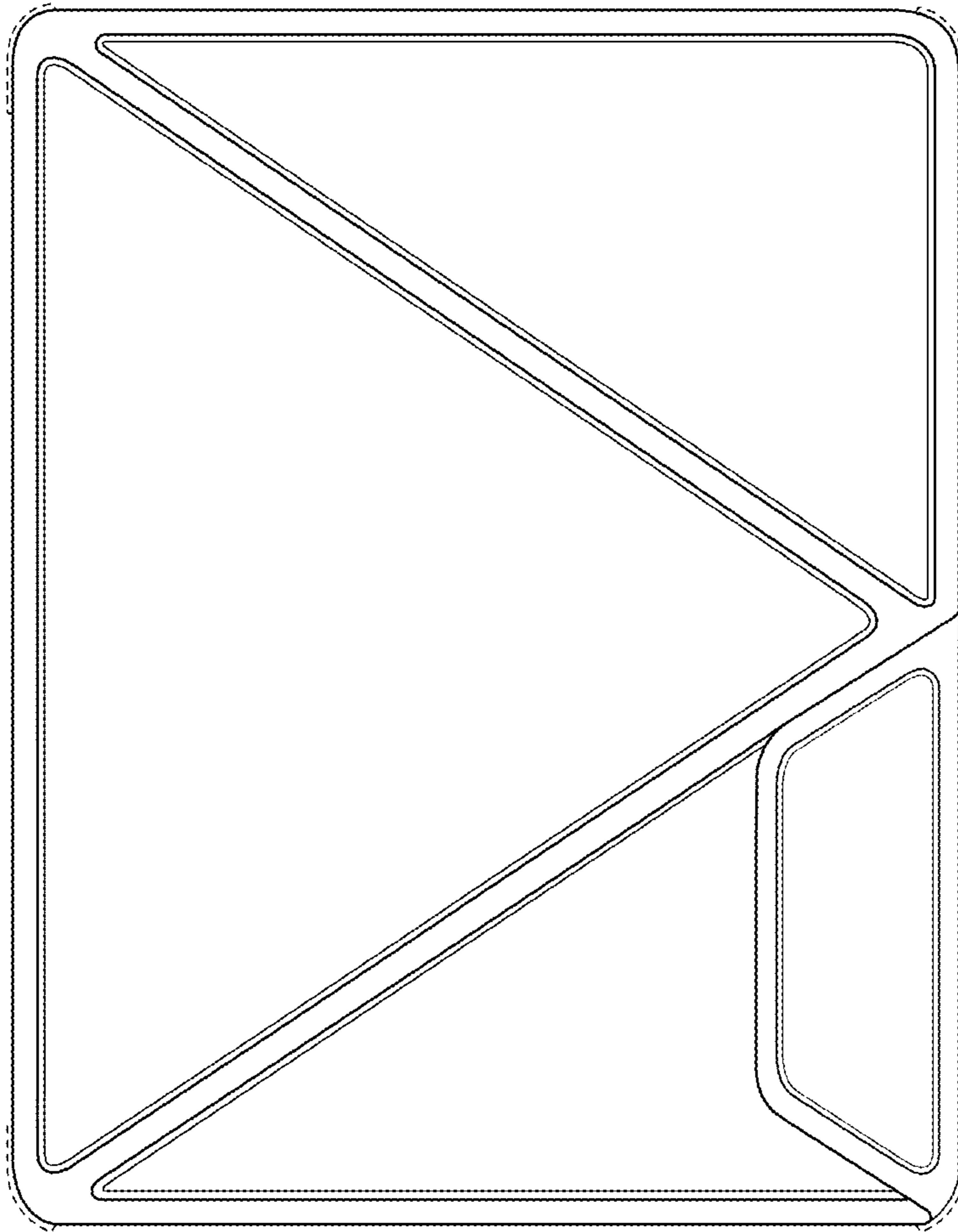


FIG. 2

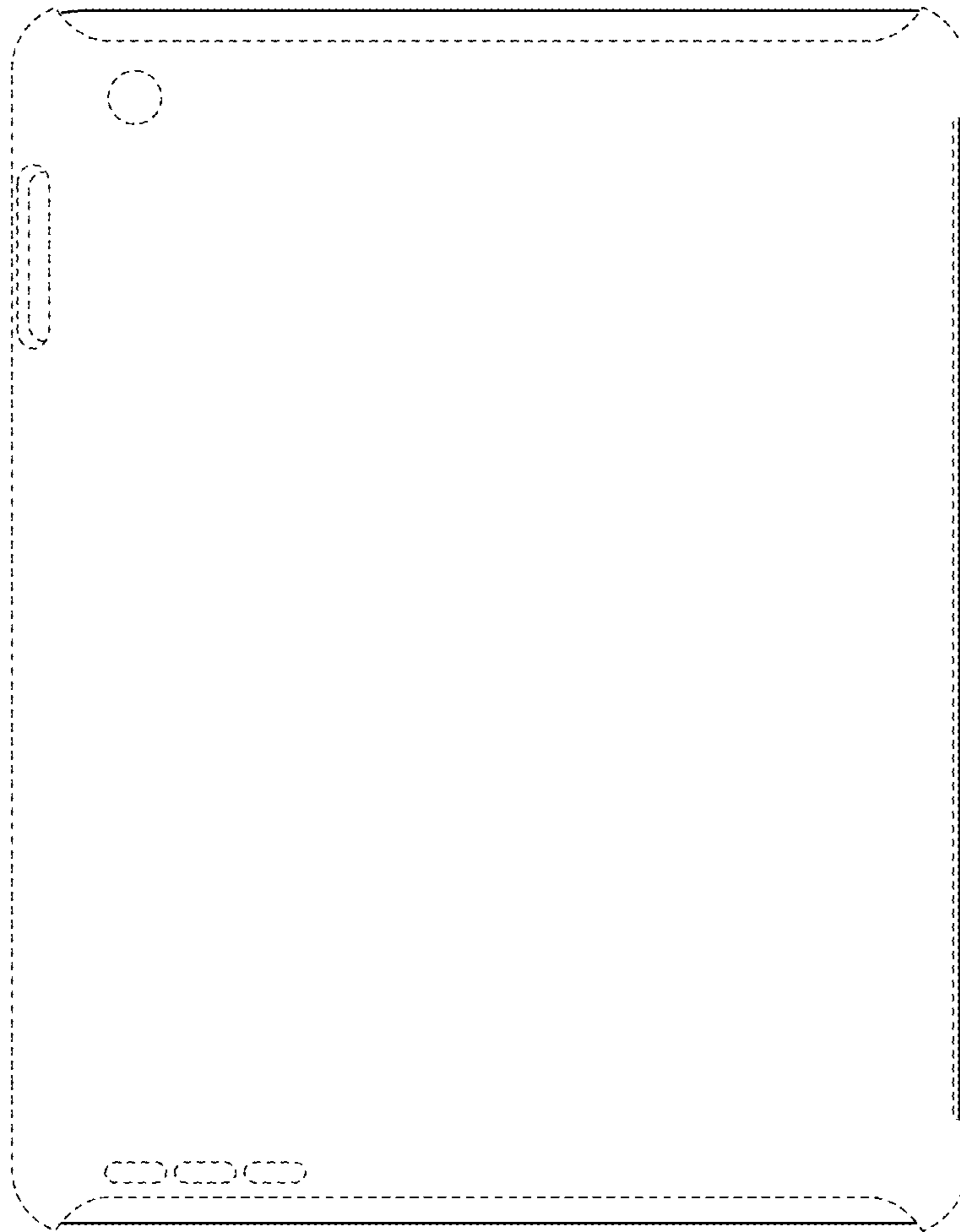


FIG. 3

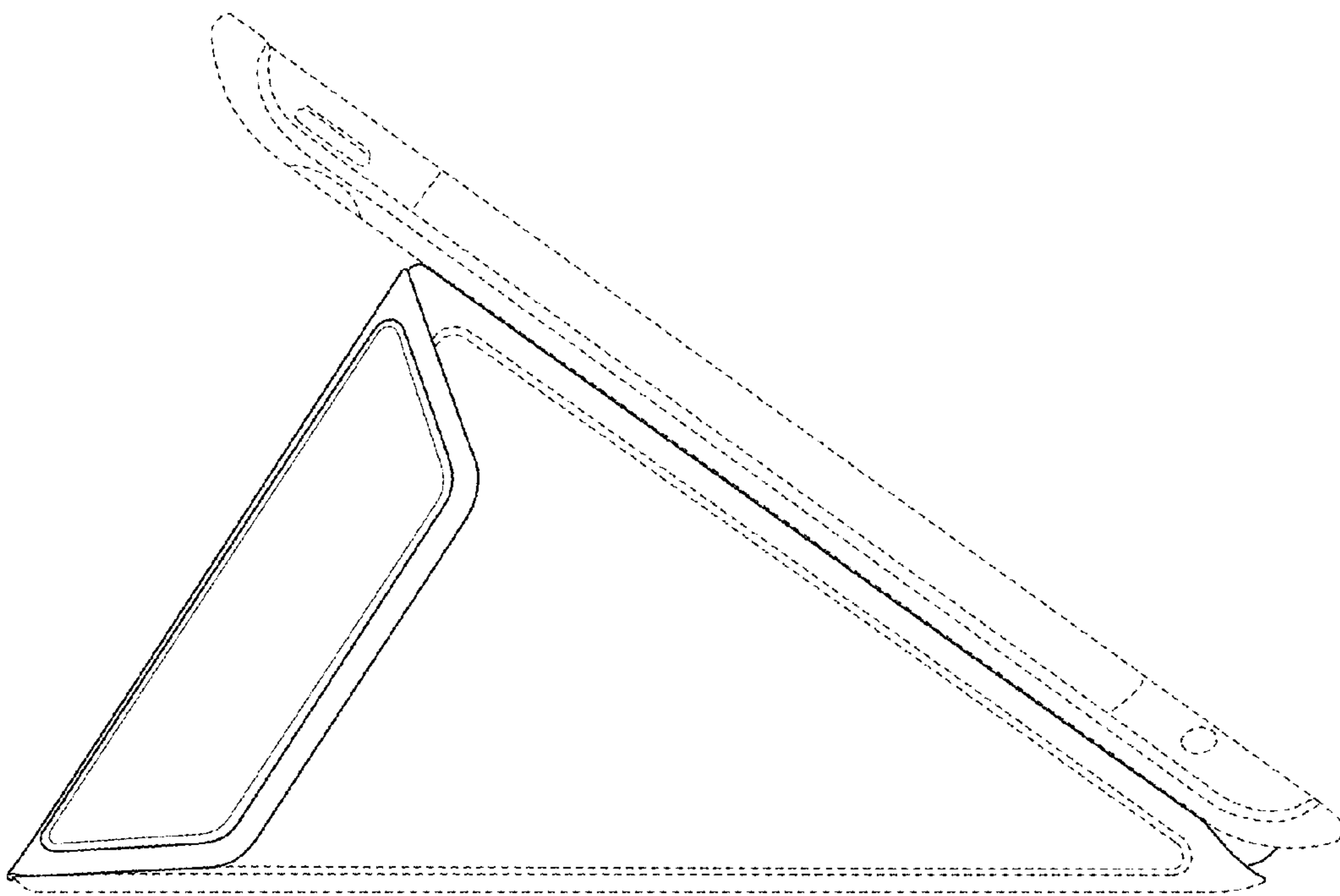


FIG. 4

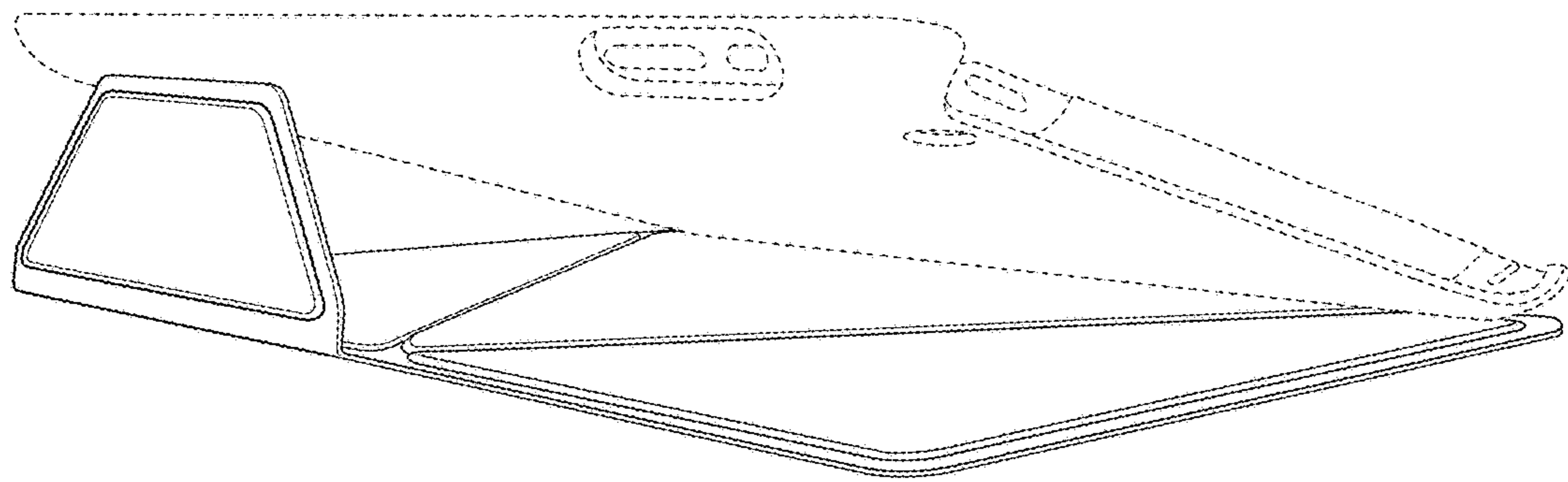


FIG. 5