



US00D805517S

(12) **United States Design Patent** (10) **Patent No.:** **US D805,517 S**  
**Lai** (45) **Date of Patent:** **\*\* Dec. 19, 2017**

(54) **KEYBOARD**

(71) Applicant: **Shenzhen Sungi Technology Co., Ltd.**,  
Guangdong Province (CN)

(72) Inventor: **Liunan Lai**, Guangdong Province (CN)

(\*\*) Term: **15 Years**

(21) Appl. No.: **29/565,074**

(22) Filed: **May 18, 2016**

(51) **LOC (10) Cl.** ..... **14-02**

(52) **U.S. Cl.**  
USPC ..... **D14/399**; D14/218

(58) **Field of Classification Search**

USPC ..... D14/388, 389, 390, 391, 392, 396, 397,  
D14/398, 399, 400, 401, 455, 320, 331,  
D14/333, 334, 338, 339, 341, 346, 356,  
D14/347, 379, 380, 384, 218; D13/162,  
D13/164, 168, 184, 123; D18/12, 12.2,  
D18/52, 7; D21/324, 333; D10/78  
CPC ..... G06F 3/02; G06F 3/0202; G06F 3/0205;  
G06F 3/0213; G06F 3/0216; G06F  
3/0219; G06F 3/0231; G06F 3/0234;  
G06F 3/002; G06F 3/016; G06F 3/03547;  
G06F 3/041;

(Continued)

(56) **References Cited**

**U.S. PATENT DOCUMENTS**

D320,598 S \* 10/1991 Auerbach ..... D14/392  
D418,499 S \* 1/2000 Brunner ..... D14/396

(Continued)

**OTHER PUBLICATIONS**

Remote controller keyboard. (Design—© Questel). orbit.com.  
[online PDF] 4 pgs. Print Date Jul. 6, 2016 [retrieved on Jul. 5,

2017] <https://sobjprd.questel.fr/export/QPTUJ214/pdf2/35a1f41642b0-4a92-ae25-96db2383f740-193717.pdf>\*

*Primary Examiner* — Susan Bennett Hattan  
*Assistant Examiner* — Marie D. Fast Horse  
(74) *Attorney, Agent, or Firm* — Prakash Nama; Global IP Services, PLLC

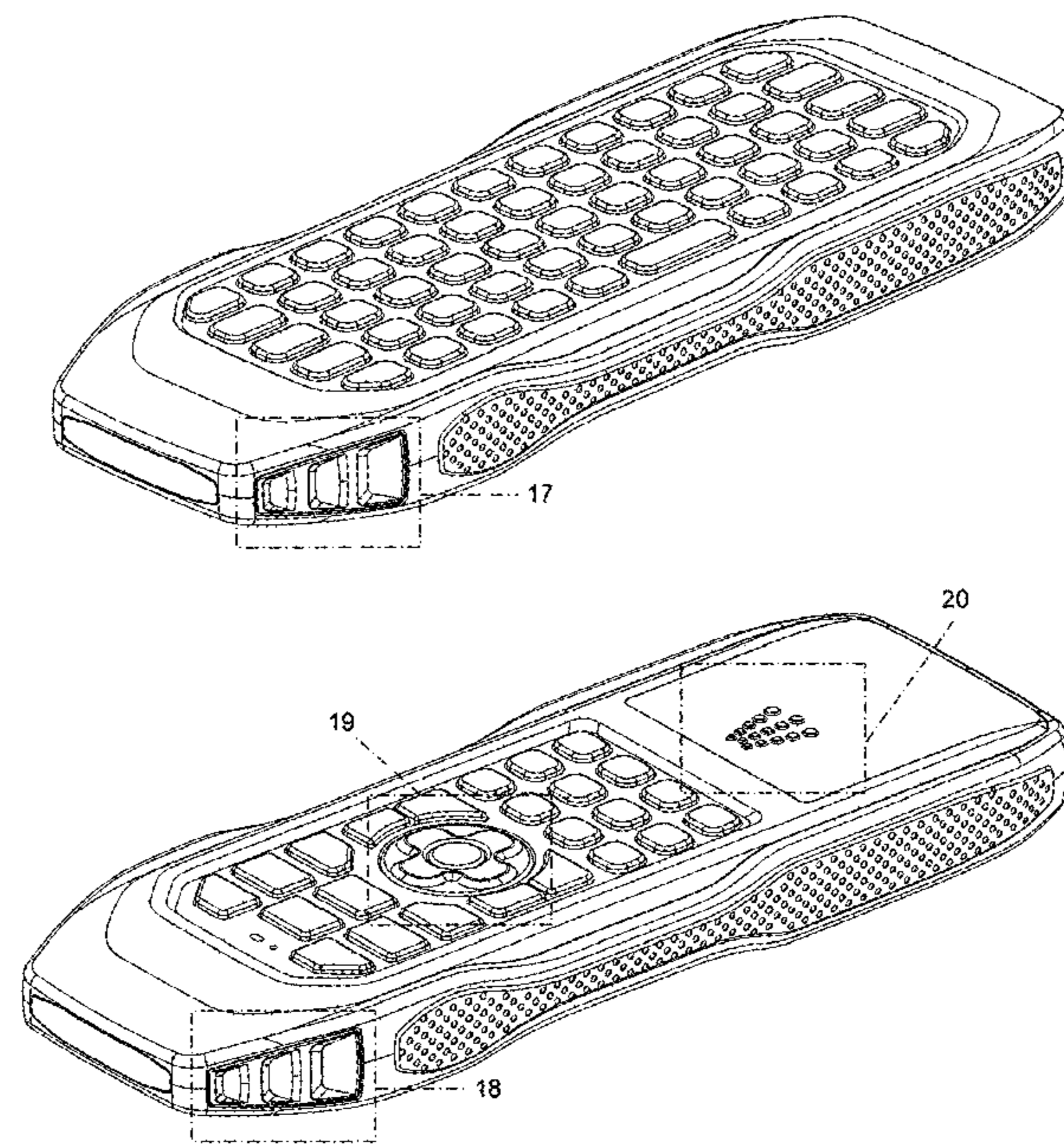
(57) **CLAIM**

The ornamental design for a keyboard, as shown.

**DESCRIPTION**

FIG. 1 is a front elevational view of a keyboard showing my new design;  
FIG. 2 is a rear elevational view thereof;  
FIG. 3 is a left side view thereof;  
FIG. 4 is a right side view thereof;  
FIG. 5 is a top plan view thereof;  
FIG. 6 is a bottom plan view thereof;  
FIG. 7 is a perspective view thereof;  
FIG. 8 is another perspective view thereof;  
FIG. 9 is an enlarged view of portion 9 shown in FIG. 1;  
FIG. 10 is an enlarged view of portion 10 shown in FIG. 1;  
FIG. 11 is an enlarged view of portion 11 shown in FIG. 1;  
FIG. 12 is an enlarged view of portion 12 shown in FIG. 2;  
FIG. 13 is an enlarged view of portion 13 shown in FIG. 2;  
FIG. 14 is an enlarged view of portion 14 shown in FIG. 2;  
FIG. 15 is an enlarged view of portion 15 shown in FIG. 3;  
FIG. 16 is an enlarged view of portion 16 shown in FIG. 3;  
FIG. 17 is an enlarged view of portion 17 shown in FIG. 7;  
FIG. 18 is an enlarged view of portion 18 shown in FIG. 8;  
FIG. 19 is an enlarged view of portion 19 shown in FIG. 8;  
and,  
FIG. 20 is an enlarged view of portion 20 shown in FIG. 8.

**1 Claim, 12 Drawing Sheets**



(58) **Field of Classification Search**  
 CPC .... G06F 1/1662; G06F 1/1664; G06F 1/1666;  
           G06F 1/1669; G06F 1/1671; G06F  
           1/1673; H04M 1/23  
 See application file for complete search history.

(56) **References Cited**

U.S. PATENT DOCUMENTS

D491,561 S *	6/2004	Sexton	.....	D14/392
D510,747 S *	10/2005	Lin	.....	D14/395
D545,303 S *	6/2007	Chang	.....	D14/218
D551,237 S *	9/2007	Hering	.....	D14/455
7,342,776 B1 *	3/2008	Chan	.....	G06F 1/1616 345/169
D582,423 S *	12/2008	Ikeda	.....	D14/401
D606,047 S *	12/2009	Lin	.....	D14/218
D612,365 S *	3/2010	Lin	.....	D14/218
D615,086 S *	5/2010	Morabito	.....	D14/346
D628,986 S *	12/2010	VanDuyn	.....	D14/218
D639,276 S *	6/2011	Loh	.....	D14/218
D647,884 S *	11/2011	Moon	.....	D14/218
D647,885 S *	11/2011	Choi	.....	D14/218

D652,820 S *	1/2012	Peh	.....	D14/218
D661,688 S *	6/2012	Weitgasser	.....	D14/218
D663,721 S *	7/2012	McManigal	.....	D14/218
D664,521 S *	7/2012	VanDuyn	.....	D14/218
D691,987 S *	10/2013	Peh	.....	D14/218
D695,740 S *	12/2013	Yakel	.....	D14/392
D697,497 S *	1/2014	Lai	.....	D14/218
D698,337 S *	1/2014	Hirano	.....	D14/218
D703,190 S *	4/2014	Zaslaysky	.....	D14/218
D705,755 S *	5/2014	Zaslaysky	.....	D14/218
D720,751 S *	1/2015	He	.....	D14/392
D723,009 S *	2/2015	Chang	.....	D14/218
D729,258 S *	5/2015	Lee	.....	D14/455
D730,874 S *	6/2015	McManigal	.....	D14/218
D734,734 S *	7/2015	McManigal	.....	D14/147
D735,195 S *	7/2015	Yakel	.....	D14/218
D735,718 S *	8/2015	Pang	.....	D14/218
D738,883 S *	9/2015	Pang	.....	D14/218
D760,700 S *	7/2016	Peh	.....	D14/218
D786,869 S *	5/2017	Liunan	.....	D14/396
2012/0013536 A1 *	1/2012	VanDuyn	.....	G06F 3/0231 345/169
2015/0205370 A1 *	7/2015	Morris	.....	G06F 3/04886 345/168

\* cited by examiner



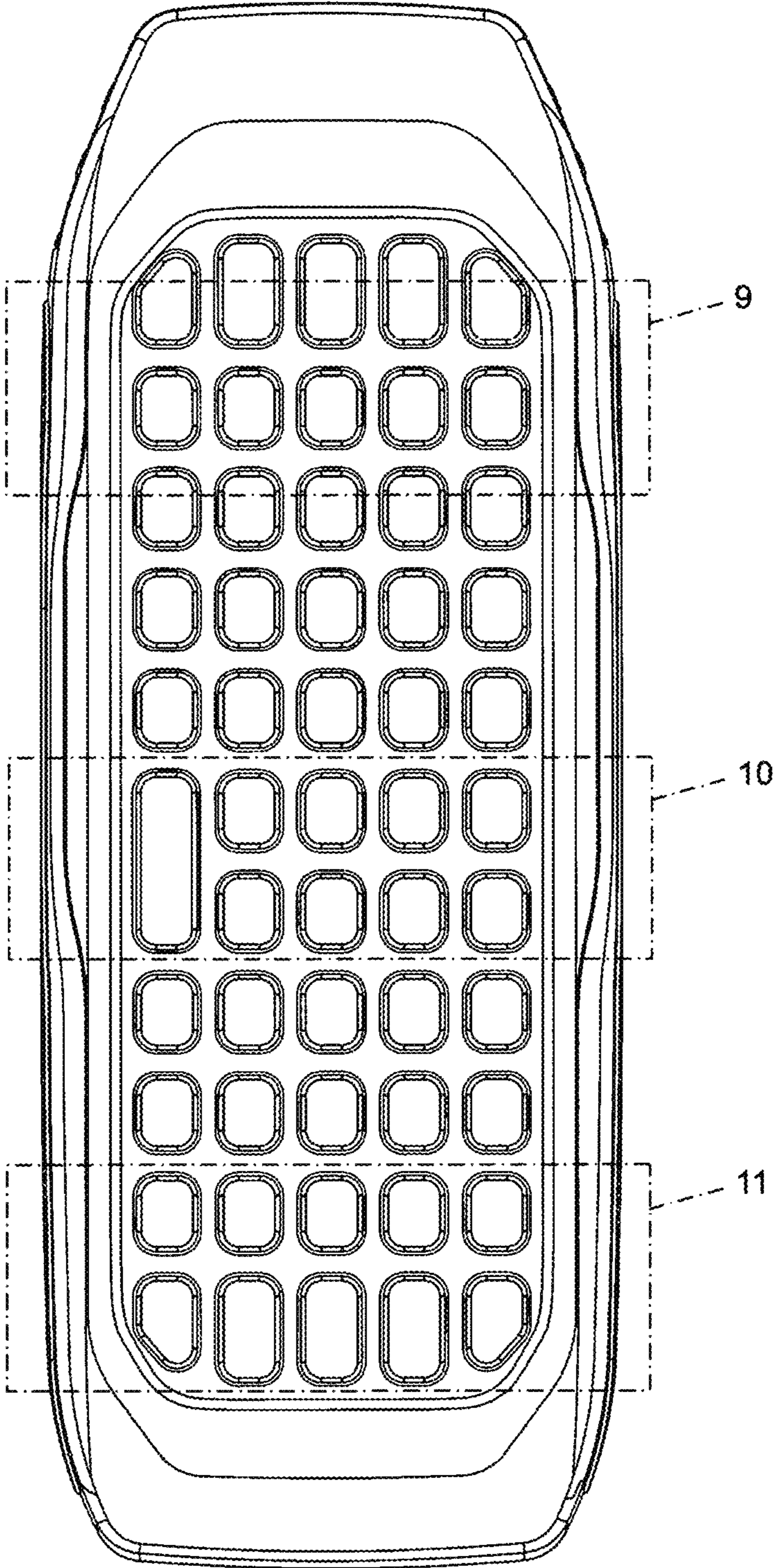


FIG. 1

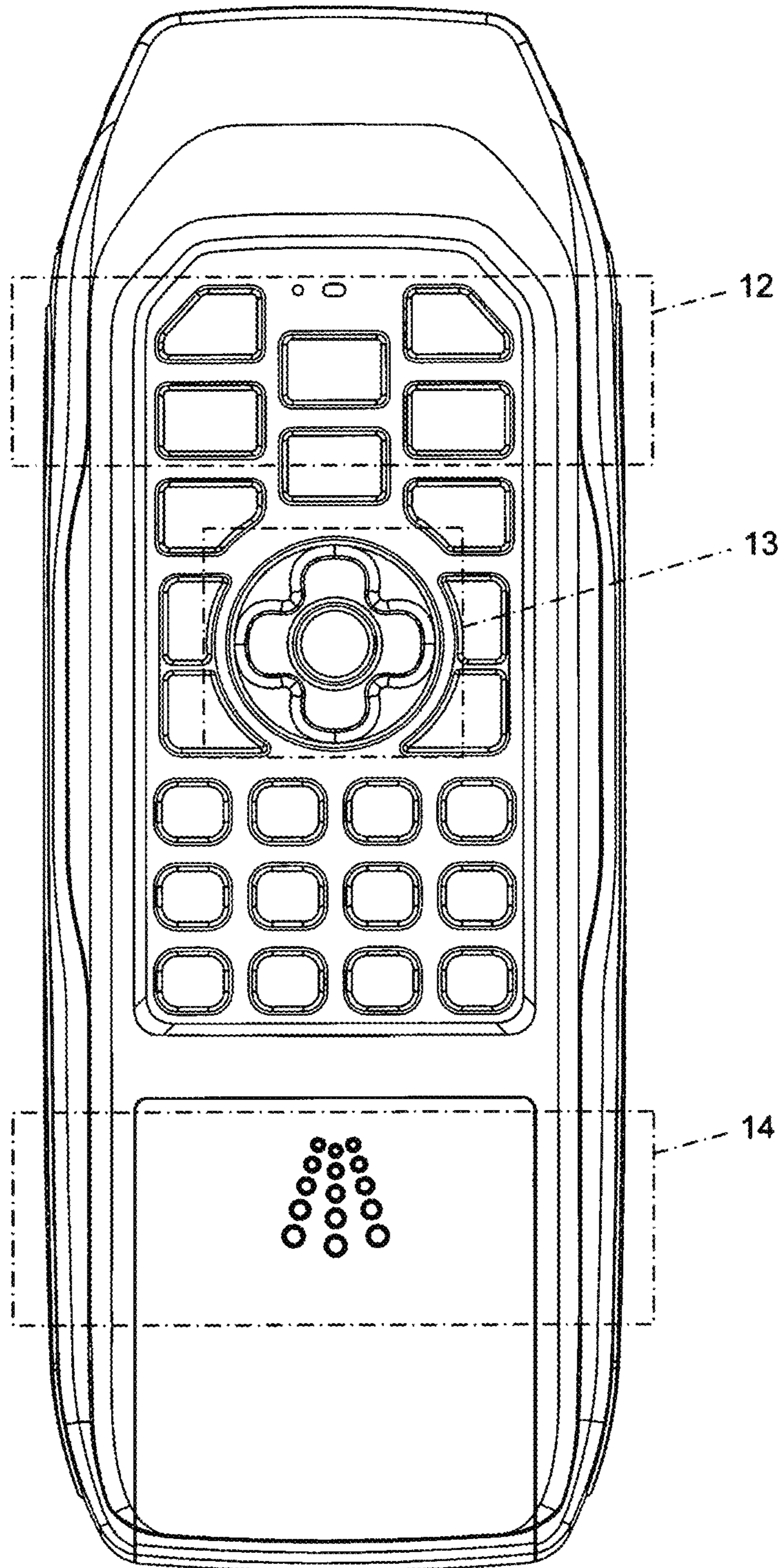


FIG. 2



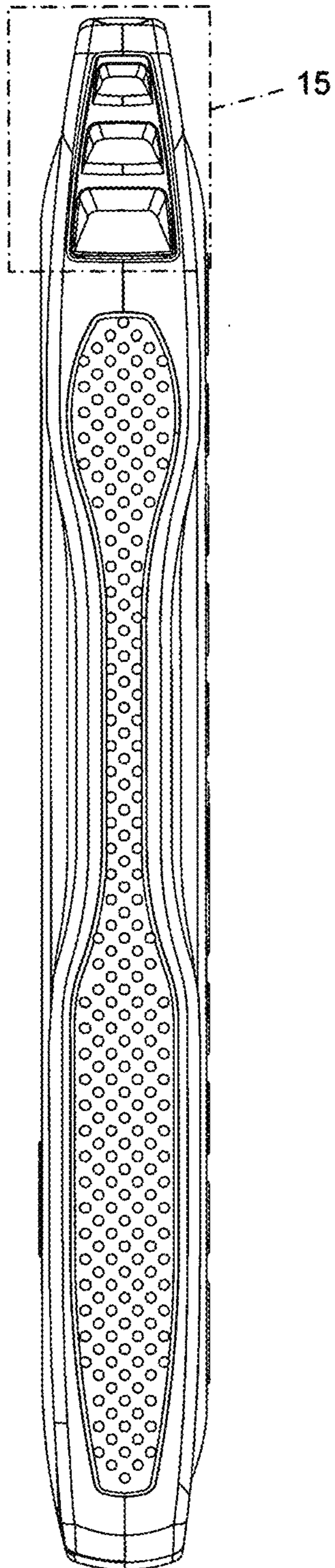


FIG. 3

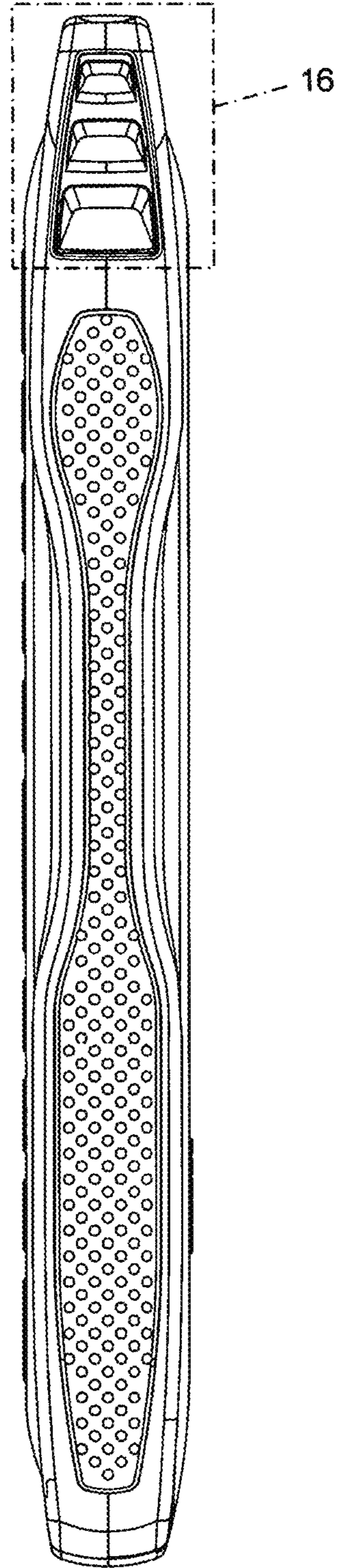


FIG. 4

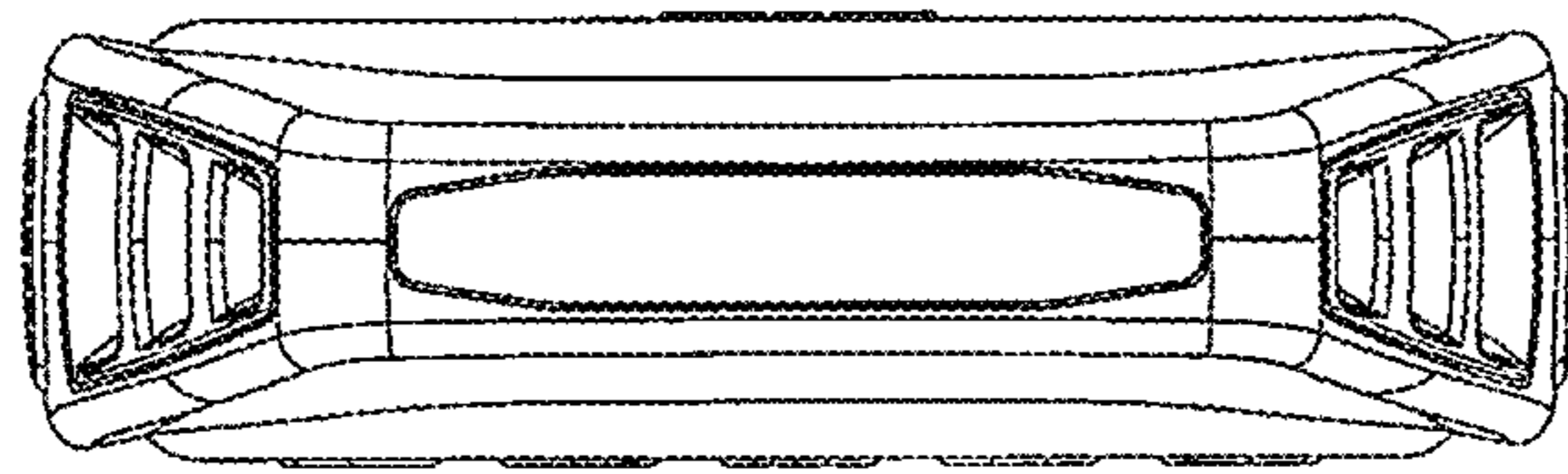


FIG. 5

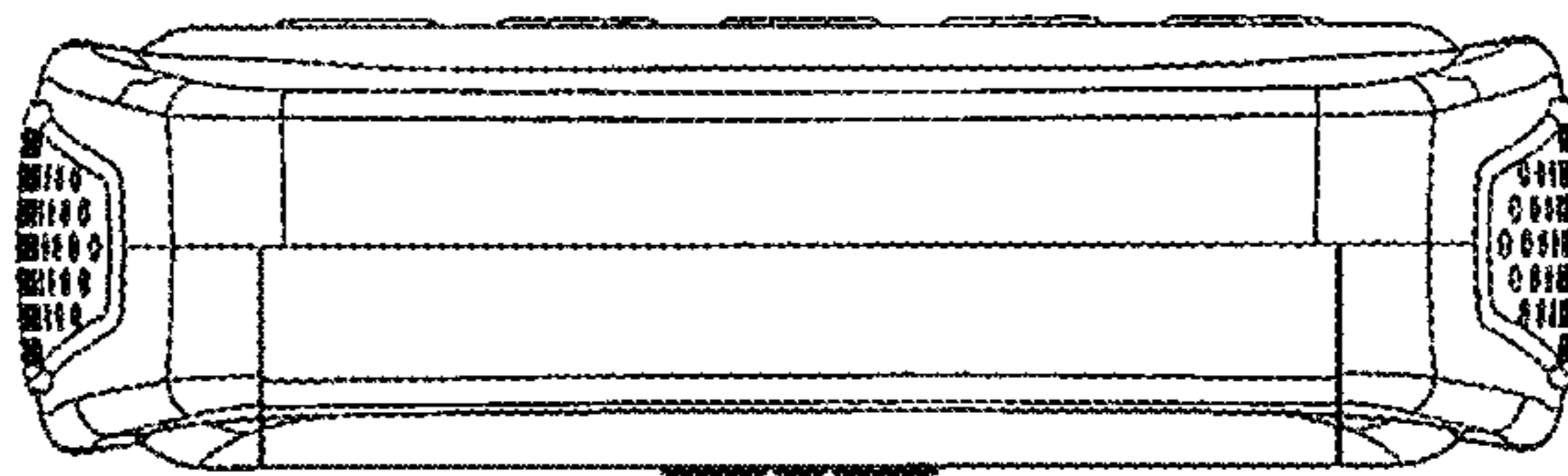


FIG. 6



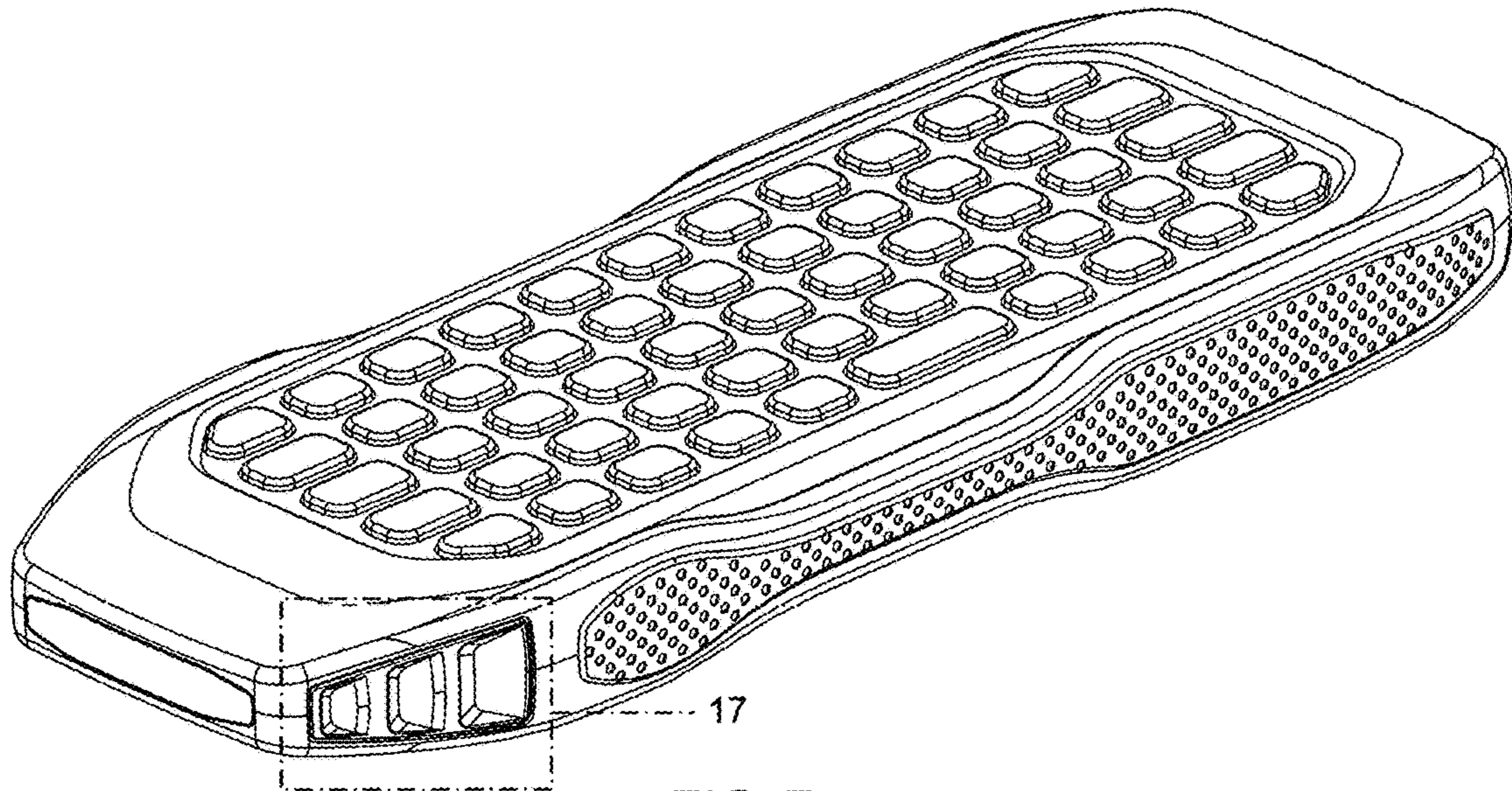


FIG. 7

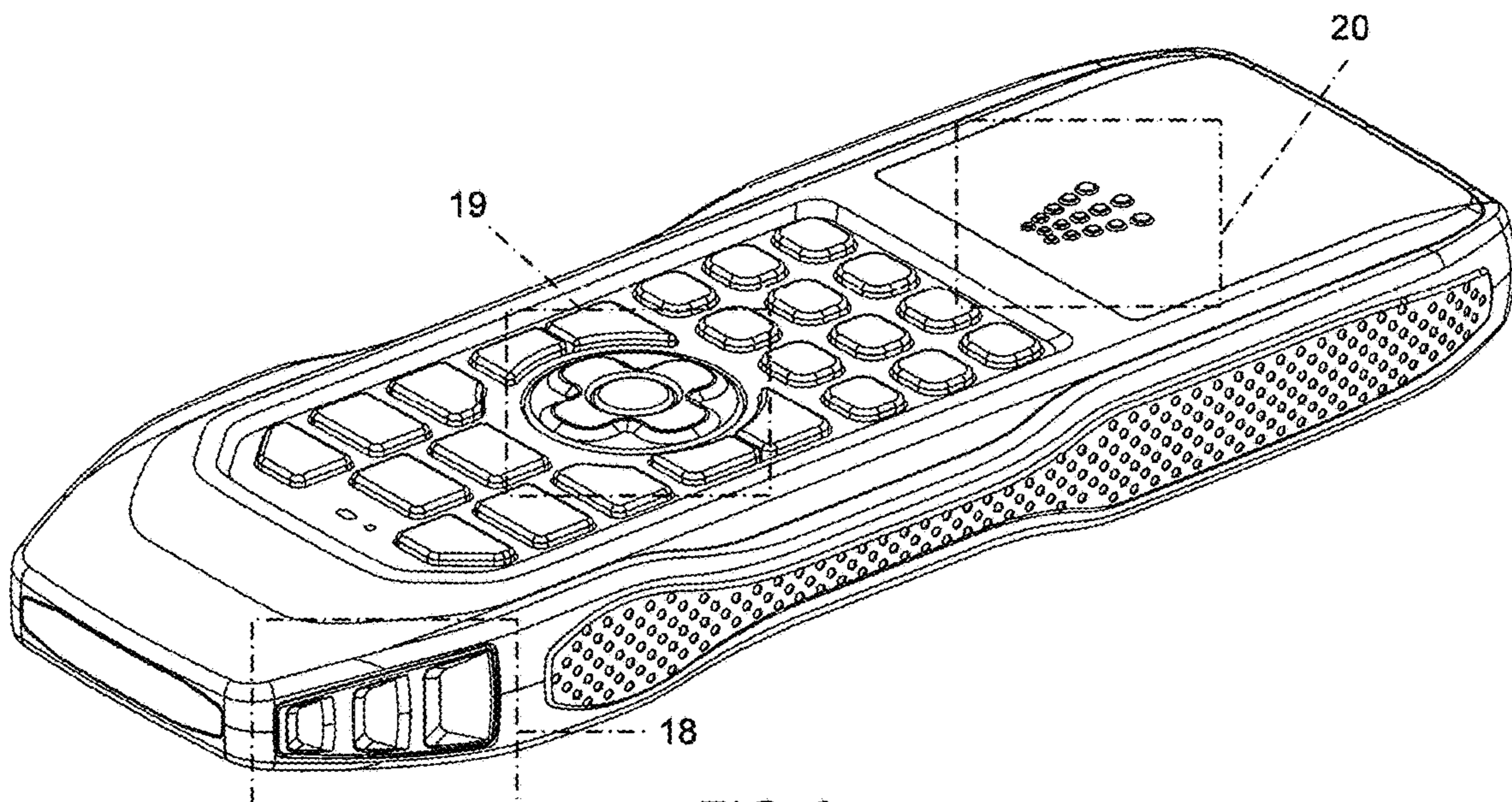


FIG. 8

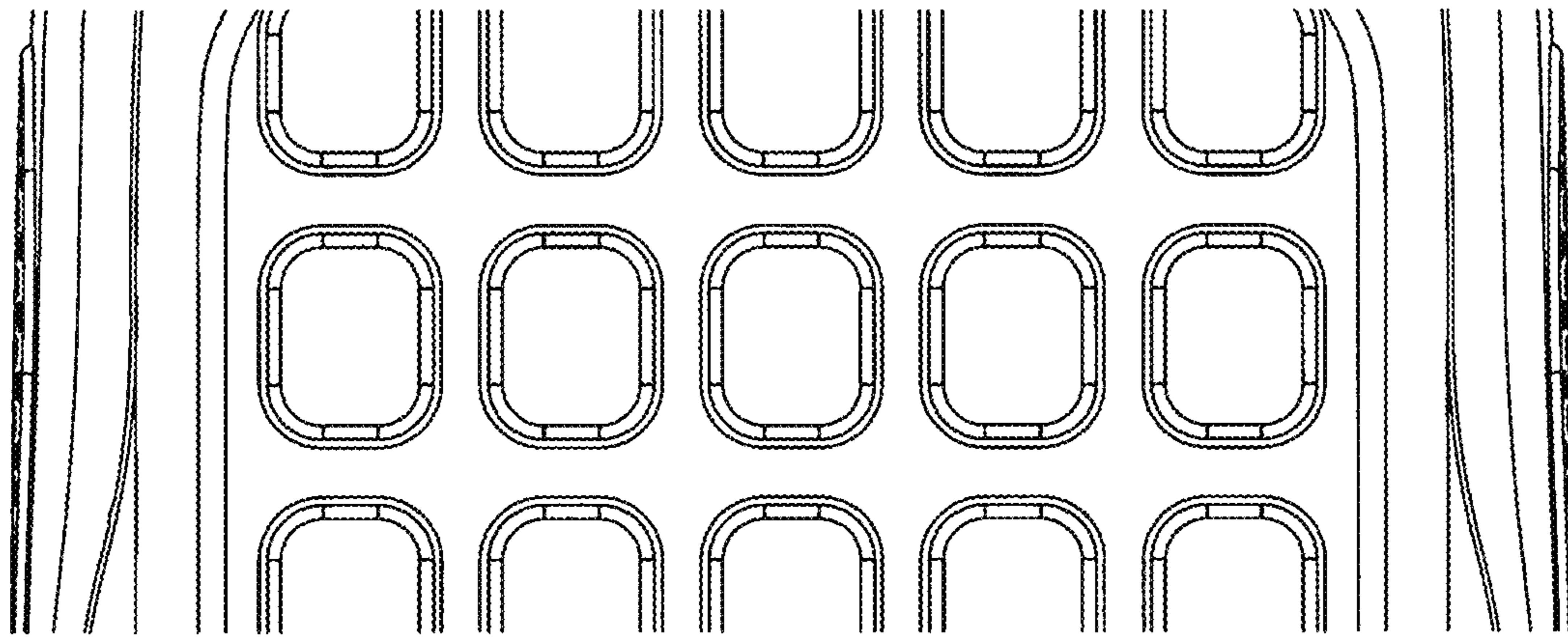


FIG. 9

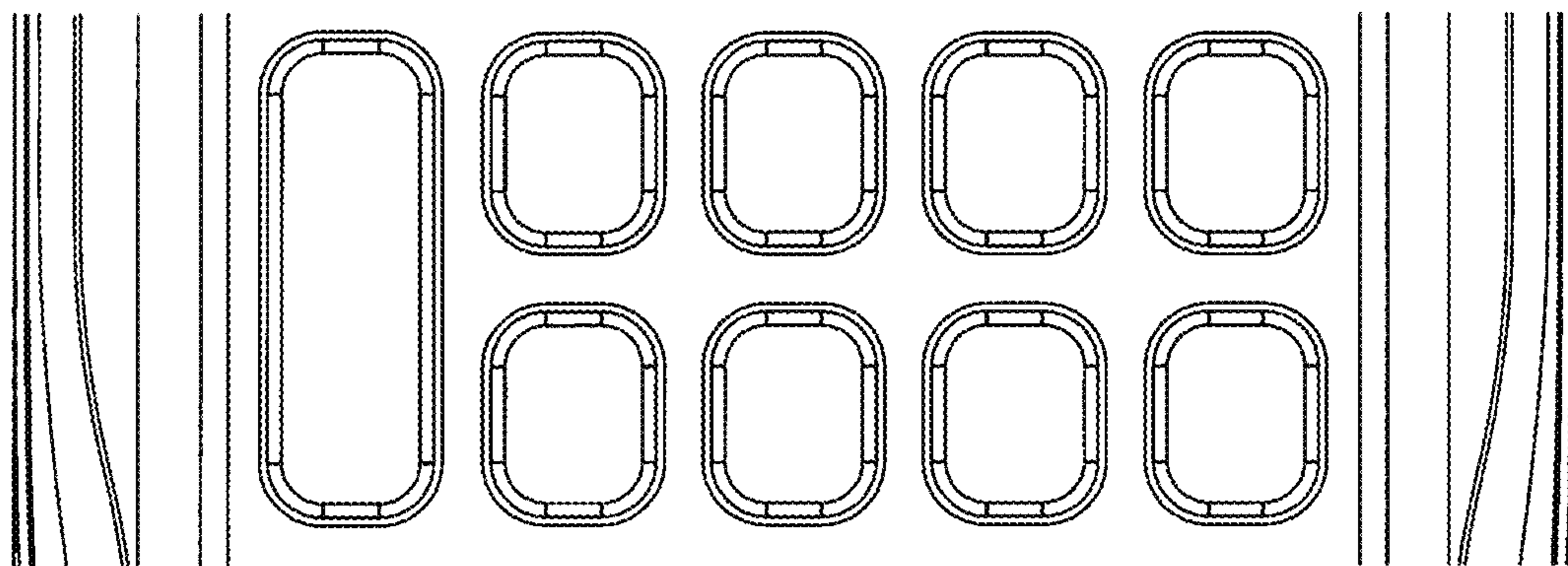


FIG. 10



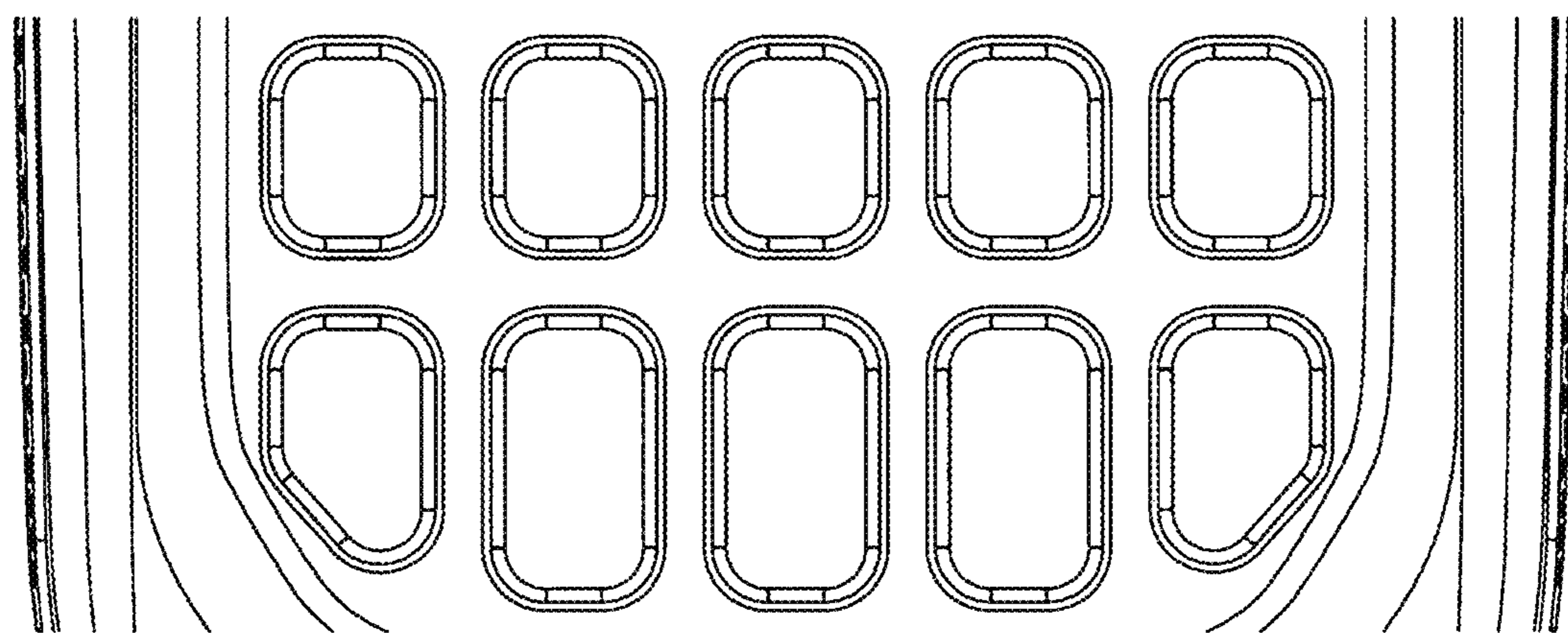


FIG. 11

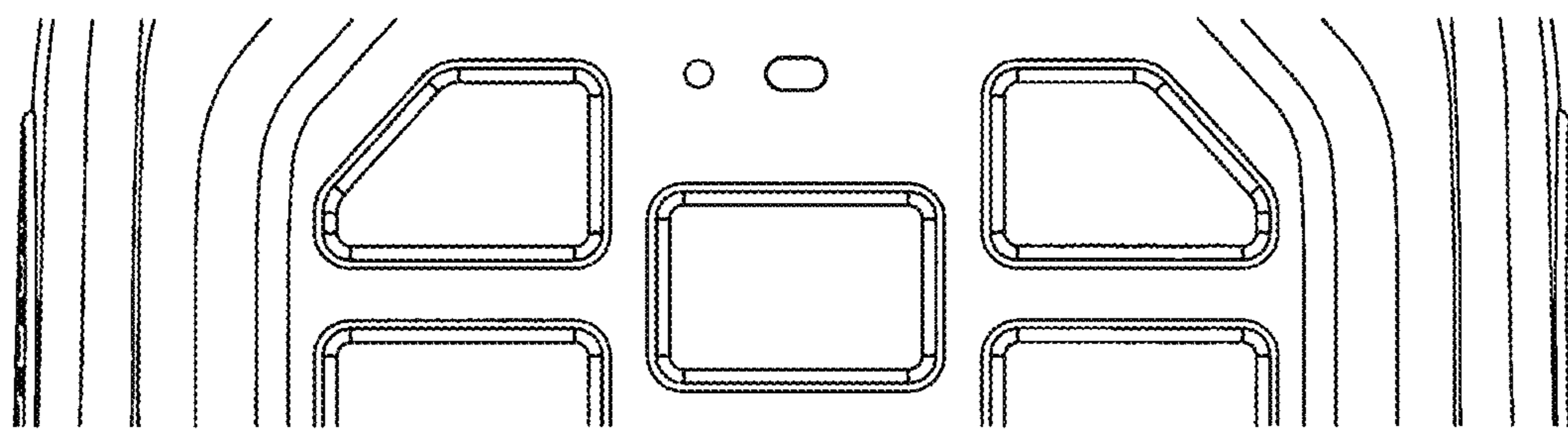


FIG. 12

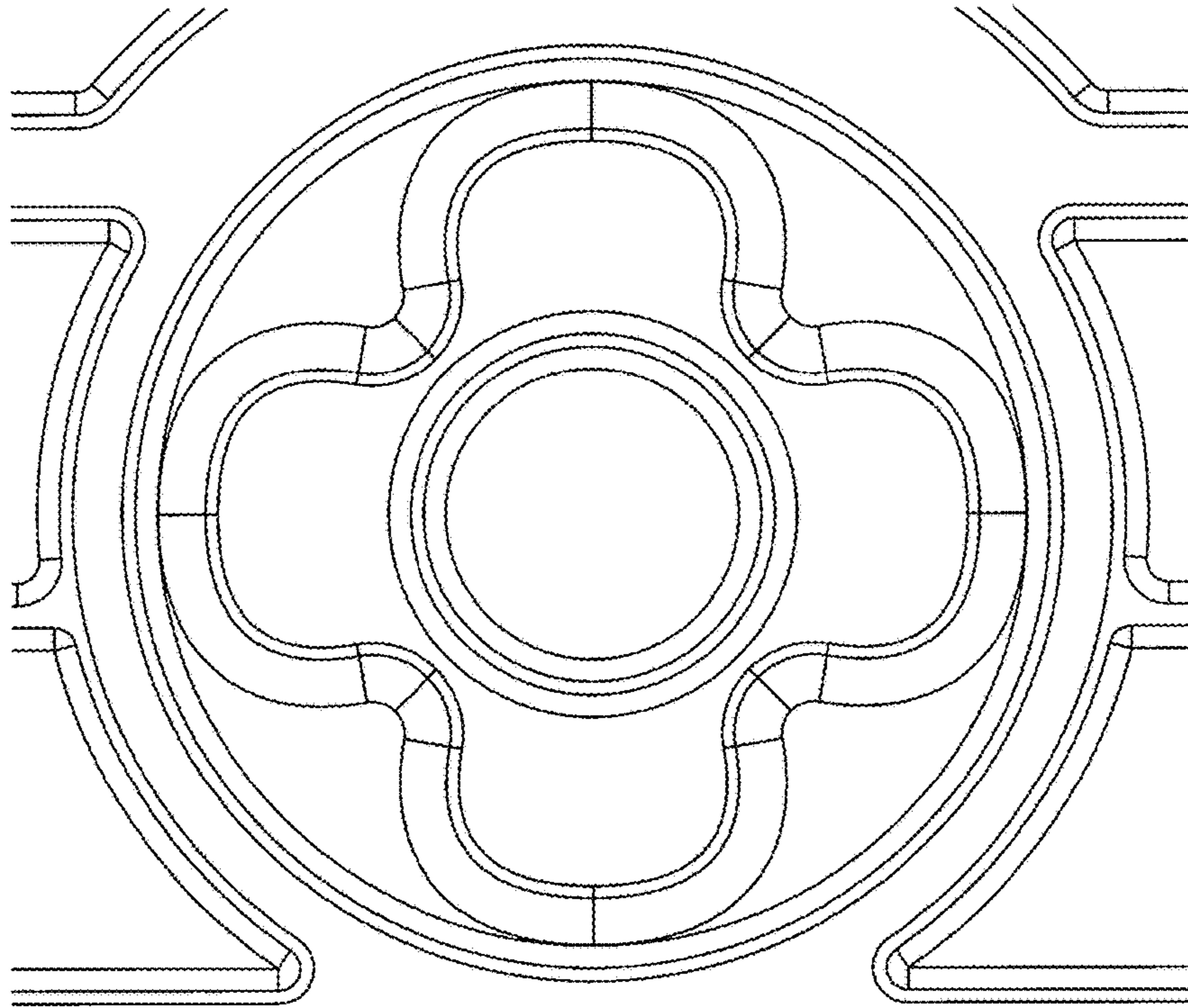


FIG. 13

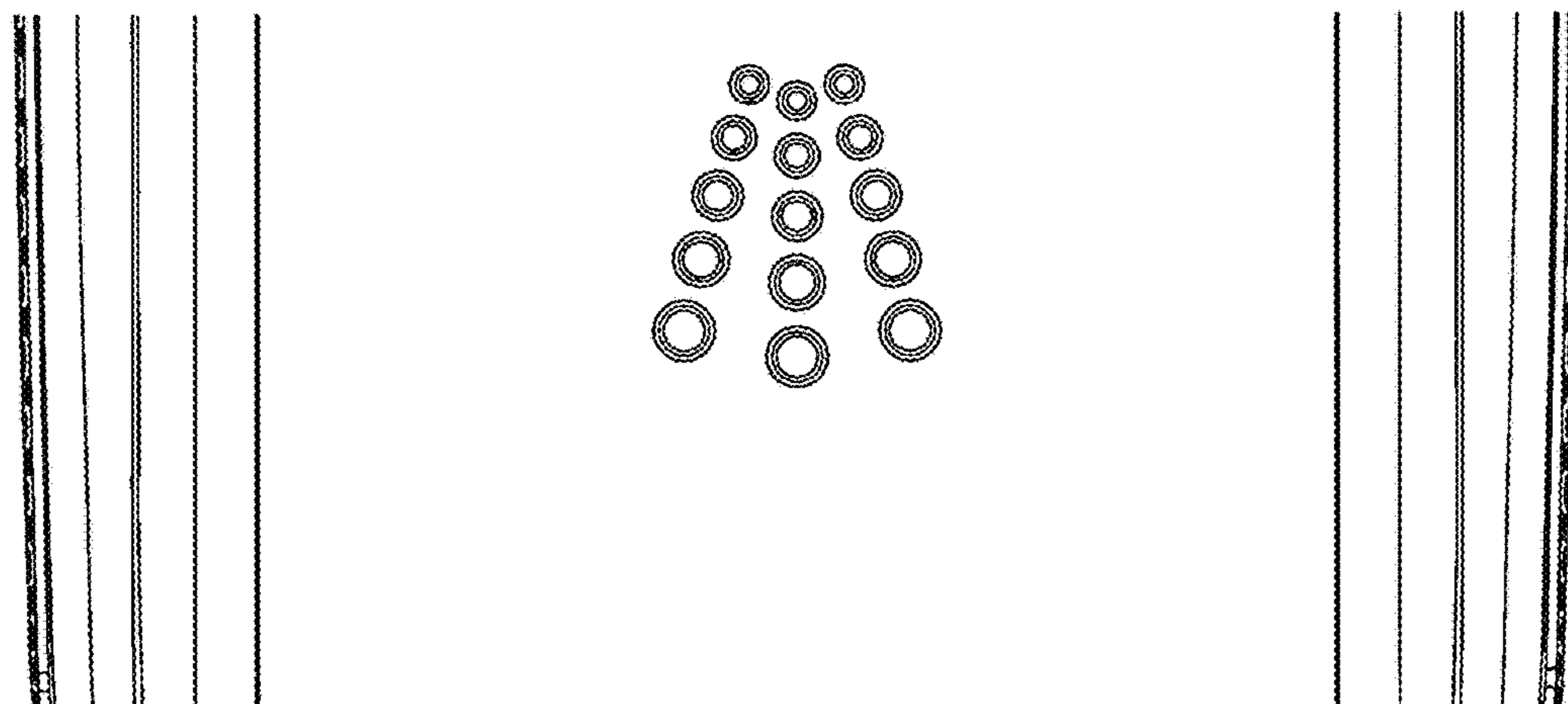


FIG. 14



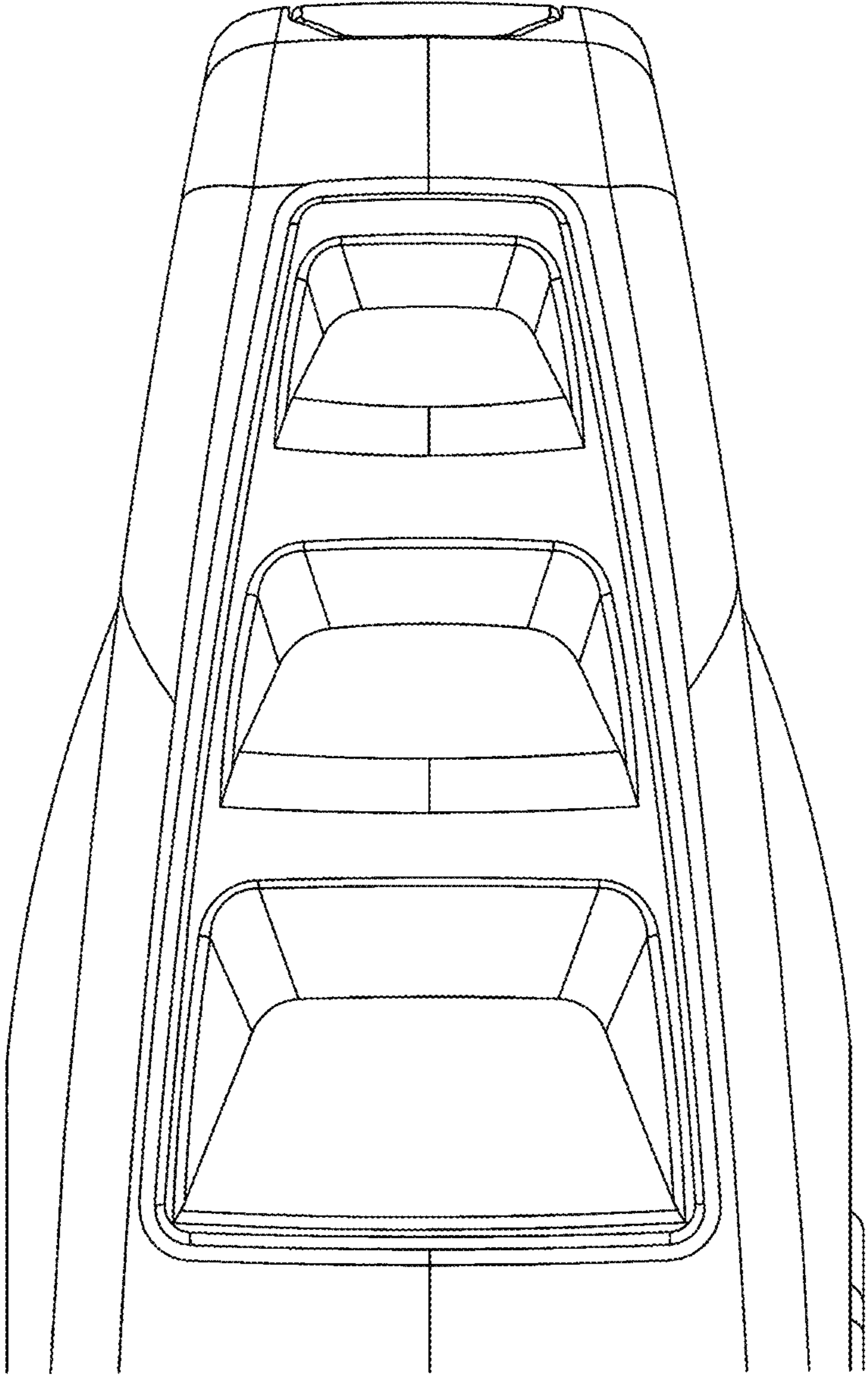


FIG. 15

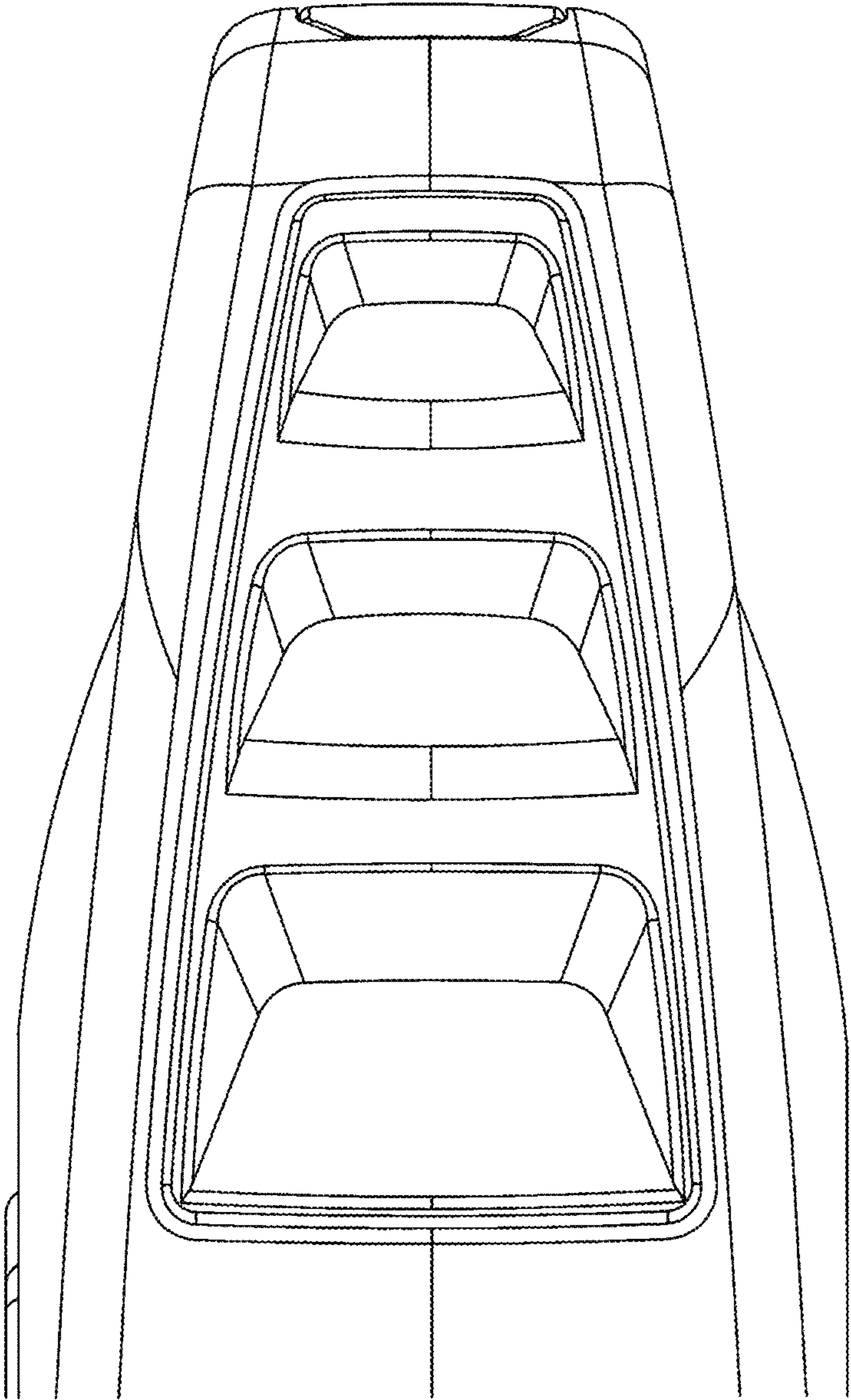


FIG. 16



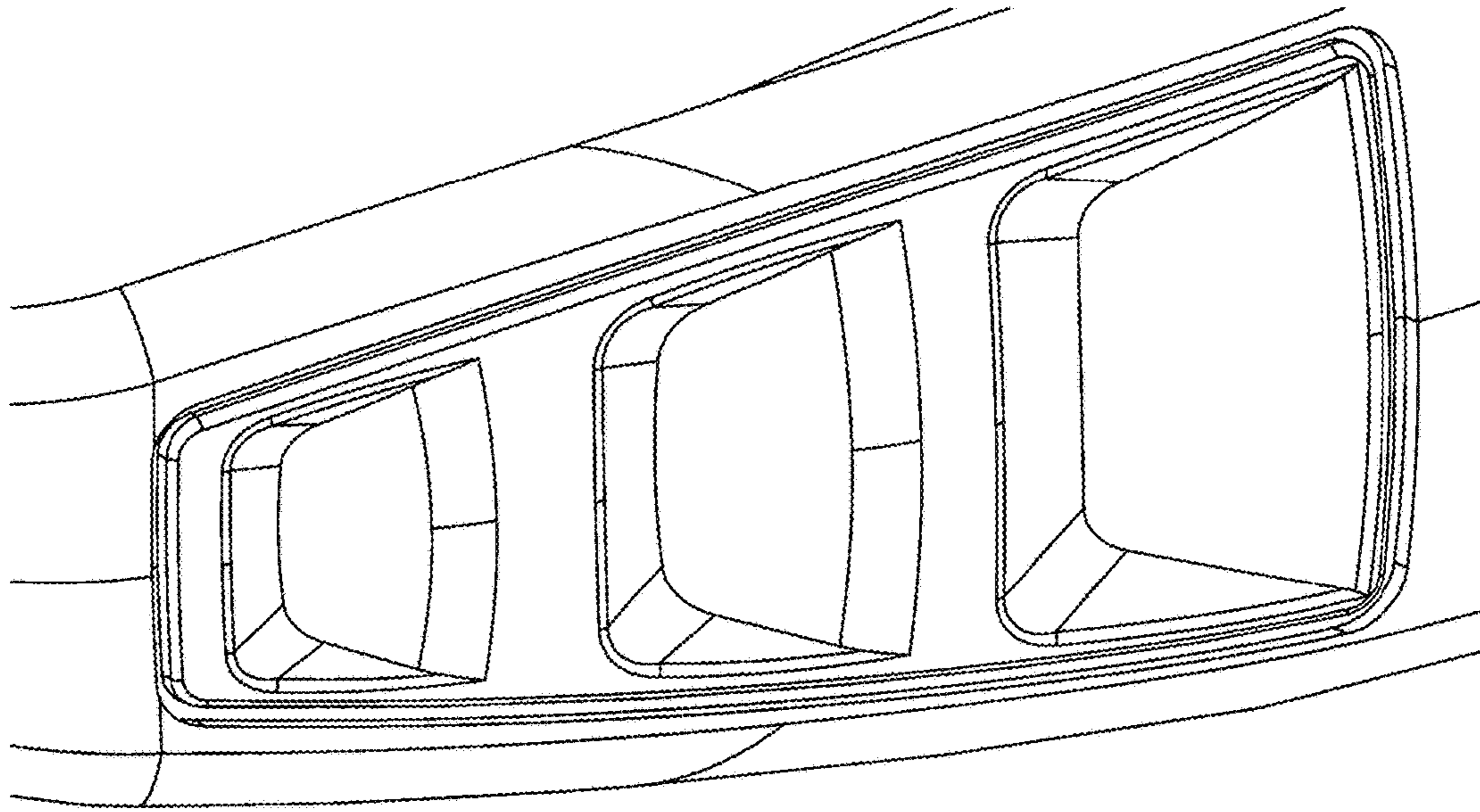


FIG. 17

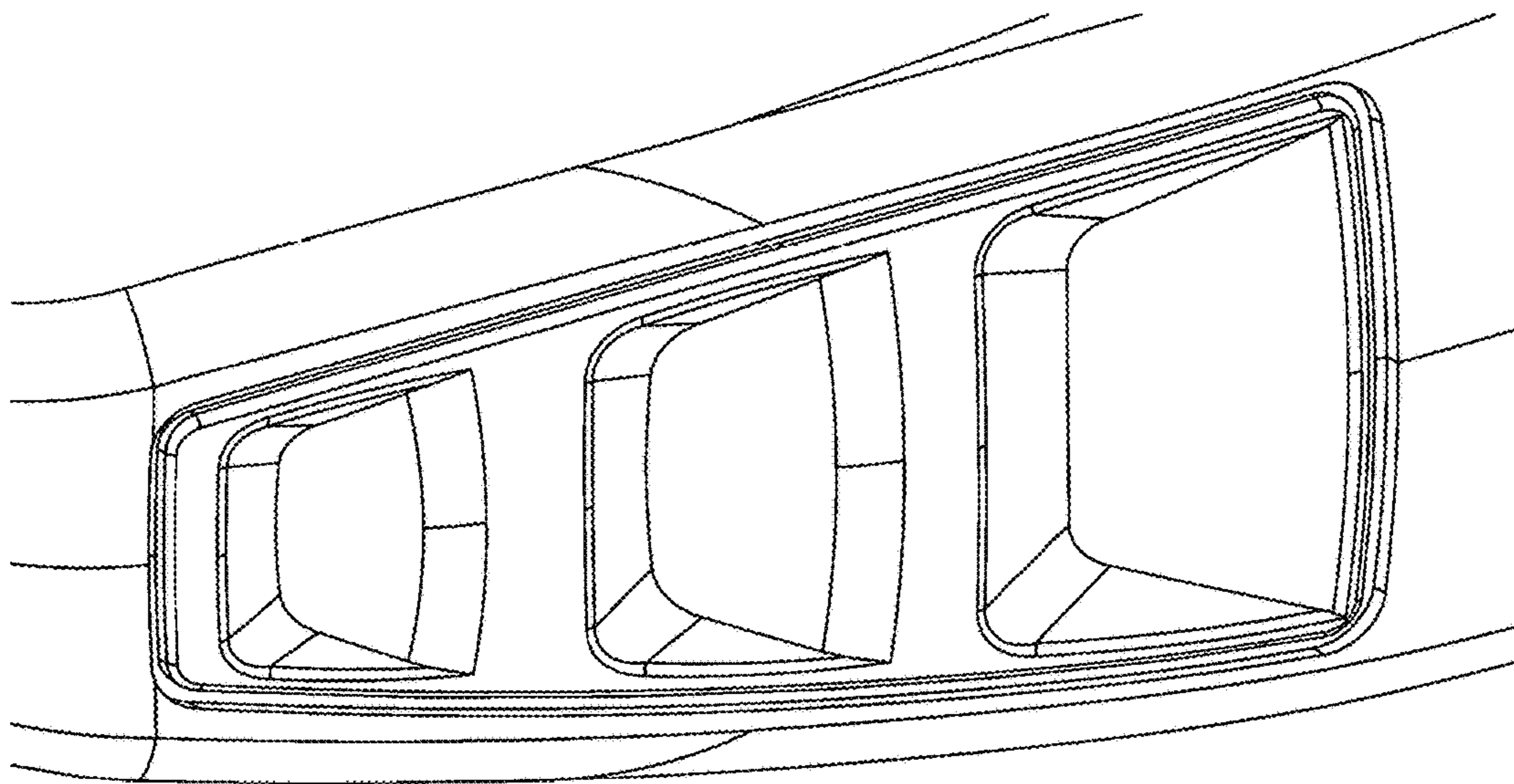


FIG. 18

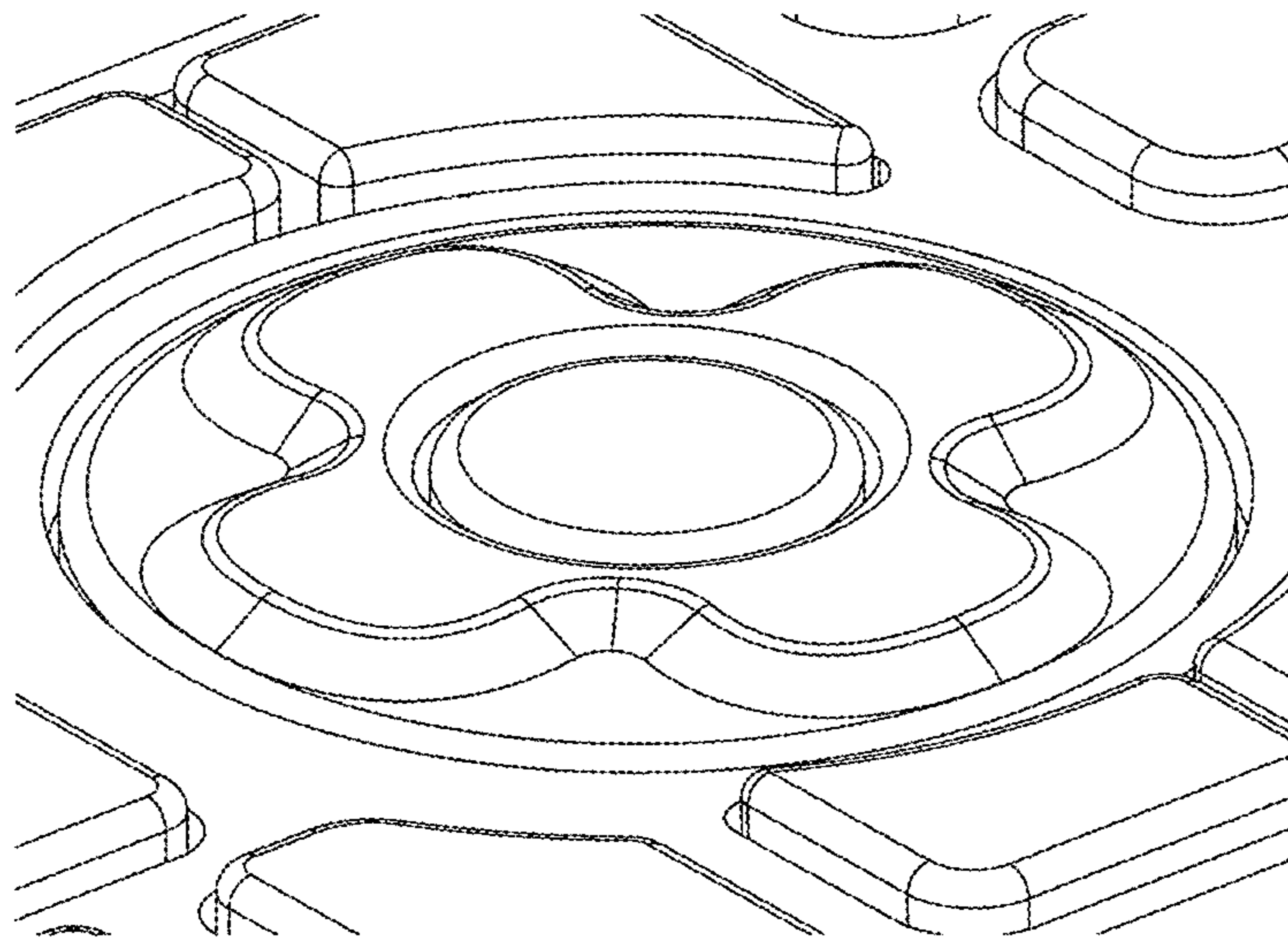


FIG. 19

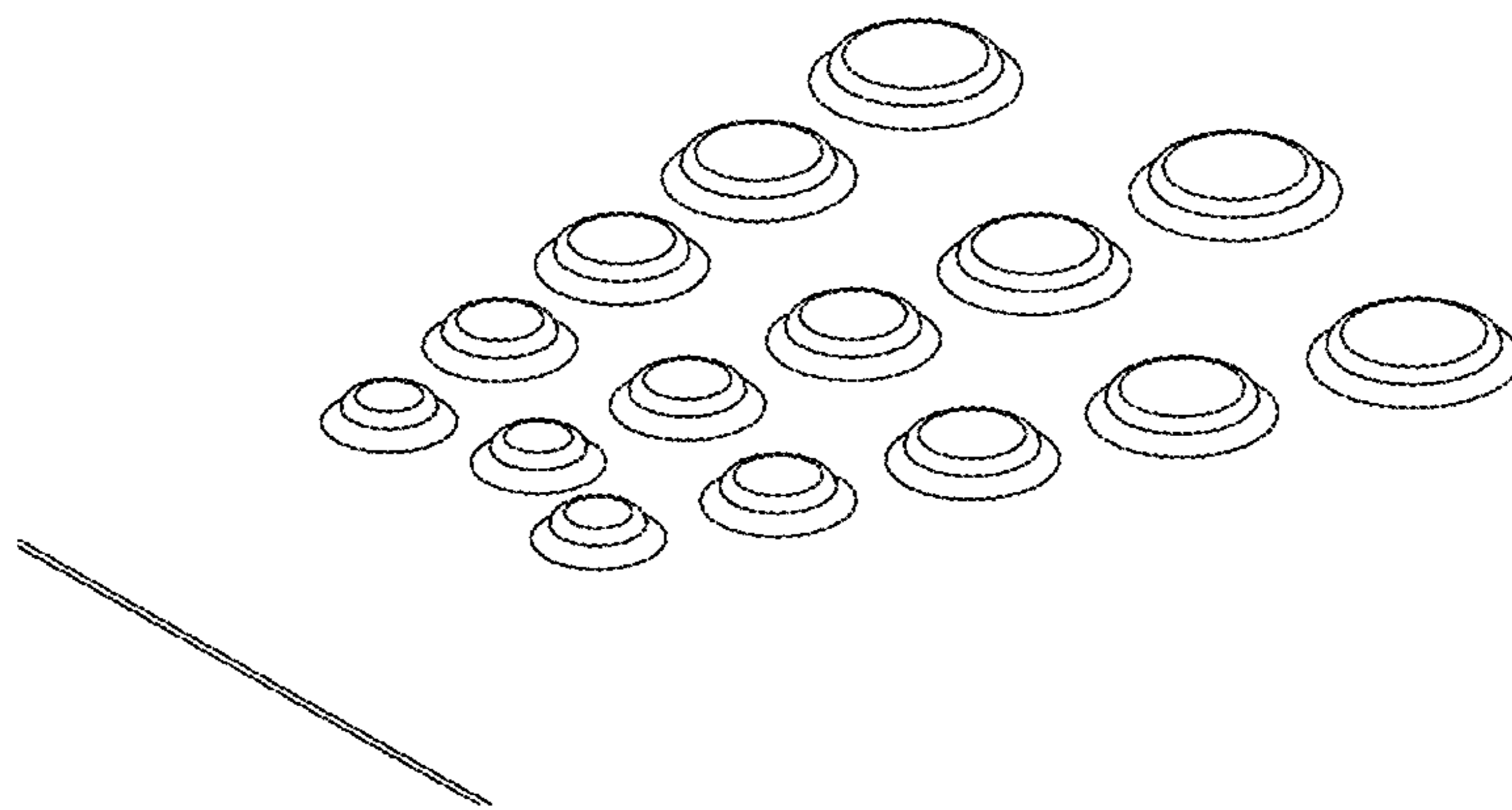


FIG. 20