



US00D805514S

(12) **United States Design Patent**
Clement

(10) **Patent No.:** **US D805,514 S**

(45) **Date of Patent:** **** Dec. 19, 2017**

(54) **HEAD MOUNTED DISPLAY VISOR**

(71) Applicant: **WAVESINE SOLUTIONS INC.**,
Vancouver, British Columbia (CA)

(72) Inventor: **David John Clement**, Vancouver (CA)

(73) Assignee: **WAVESINE SOLUTIONS INC.**,
Vancouver, British Columbia (CA)

(**) Term: **15 Years**

(21) Appl. No.: **29/584,094**

(22) Filed: **Nov. 11, 2016**

(30) **Foreign Application Priority Data**

May 13, 2016 (CA) 168403

(51) **LOC (10) Cl.** **14-02**

(52) **U.S. Cl.**
USPC **D14/372**

(58) **Field of Classification Search**

USPC D14/372, 496, 432, 371, 125, 126, 129,
D14/299; D16/300-342; 351/158, 153,
351/144; 345/7-9, 905; 455/344;
348/115, 53, 121, 739

CPC G02B 27/017; G02B 27/0158; G02B
27/0161; G02B 27/0181; G02B 27/0185;
G02B 27/0189

See application file for complete search history.

(56) **References Cited**

U.S. PATENT DOCUMENTS

D669,471 S * 10/2012 Hwang D14/372
D704,706 S 5/2014 Serota
8,831,255 B2 9/2014 Crawford
8,881,316 B2 11/2014 Reyes

(Continued)

OTHER PUBLICATIONS

U.S. Appl. No. 29/498,959, filed Aug. 9, 2014, now D764,456.

U.S. Appl. No. 29/570,988, filed Jul. 13, 2016.

U.S. Appl. No. 29/570,988, filed Jul. 13, 2016, Clement.

Primary Examiner — Austin Murphy

(74) *Attorney, Agent, or Firm* — Knobbe, Martens, Olson
& Bear, LLP

(57) **CLAIM**

The ornamental design for a head mounted display visor, as shown and described.

DESCRIPTION

FIG. 1 is a front perspective view of an embodiment of a head mounted display visor, shown mounted to a head mounting harness.

FIG. 2 is a rear perspective view of the visor of FIG. 1.

FIG. 3 is a front elevation view of the visor of FIG. 1.

FIG. 4 is a rear elevation view of the visor of FIG. 1.

FIG. 5 is a right side view of the visor of FIG. 1.

FIG. 6 is a left side view of the visor of FIG. 1.

FIG. 7 is a top plan view of the visor of FIG. 1.

FIG. 8 is a bottom plan view of the visor of FIG. 1.

FIG. 9 is a front perspective view of another embodiment of a head mounted display visor, shown mounted to a head mounting harness.

FIG. 10 is a rear perspective view of the visor of FIG. 9.

FIG. 11 is a front elevation view of the visor of FIG. 9.

FIG. 12 is a rear elevation view of the visor of FIG. 9.

FIG. 13 is a right side view of the visor of FIG. 9.

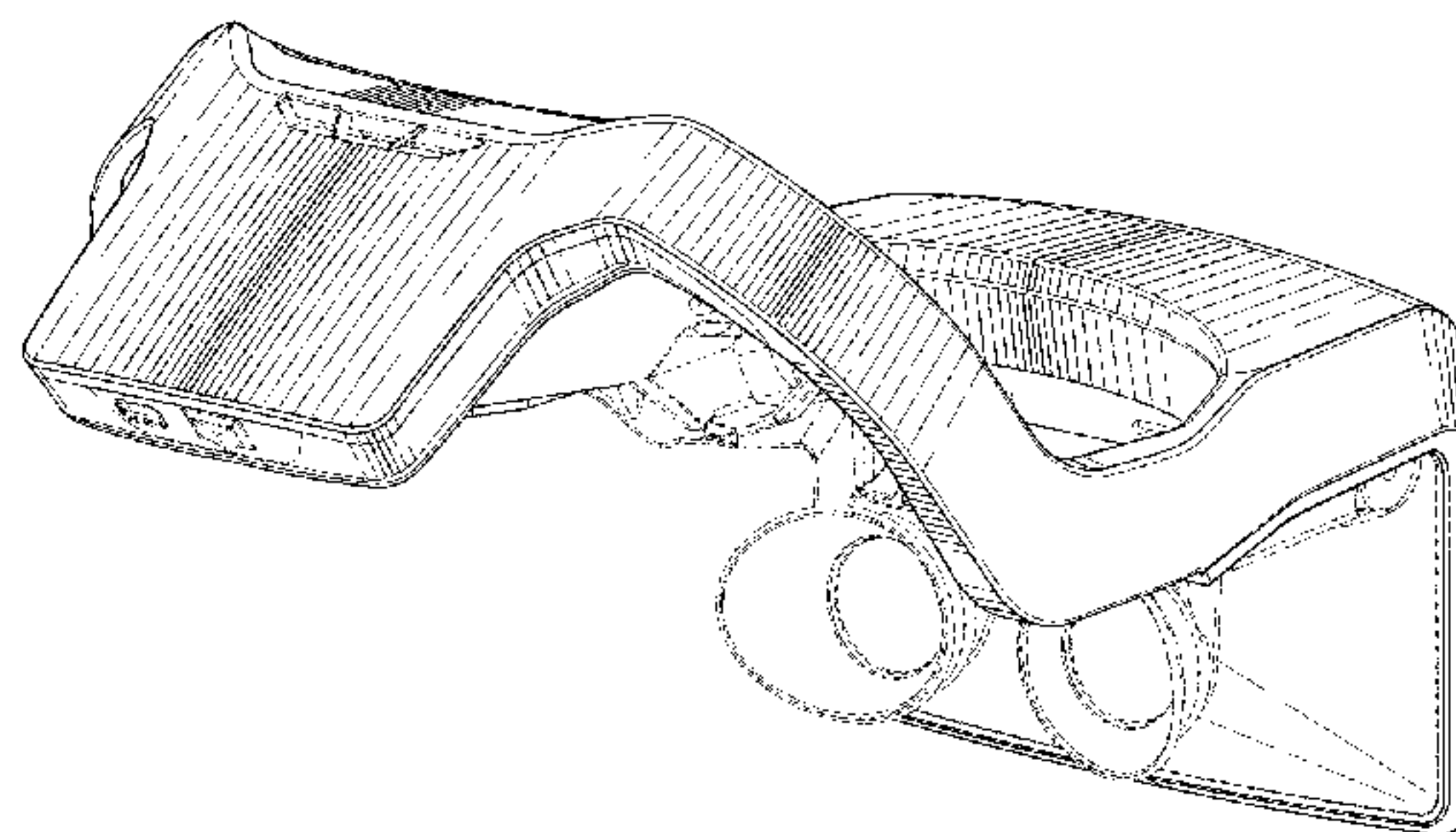
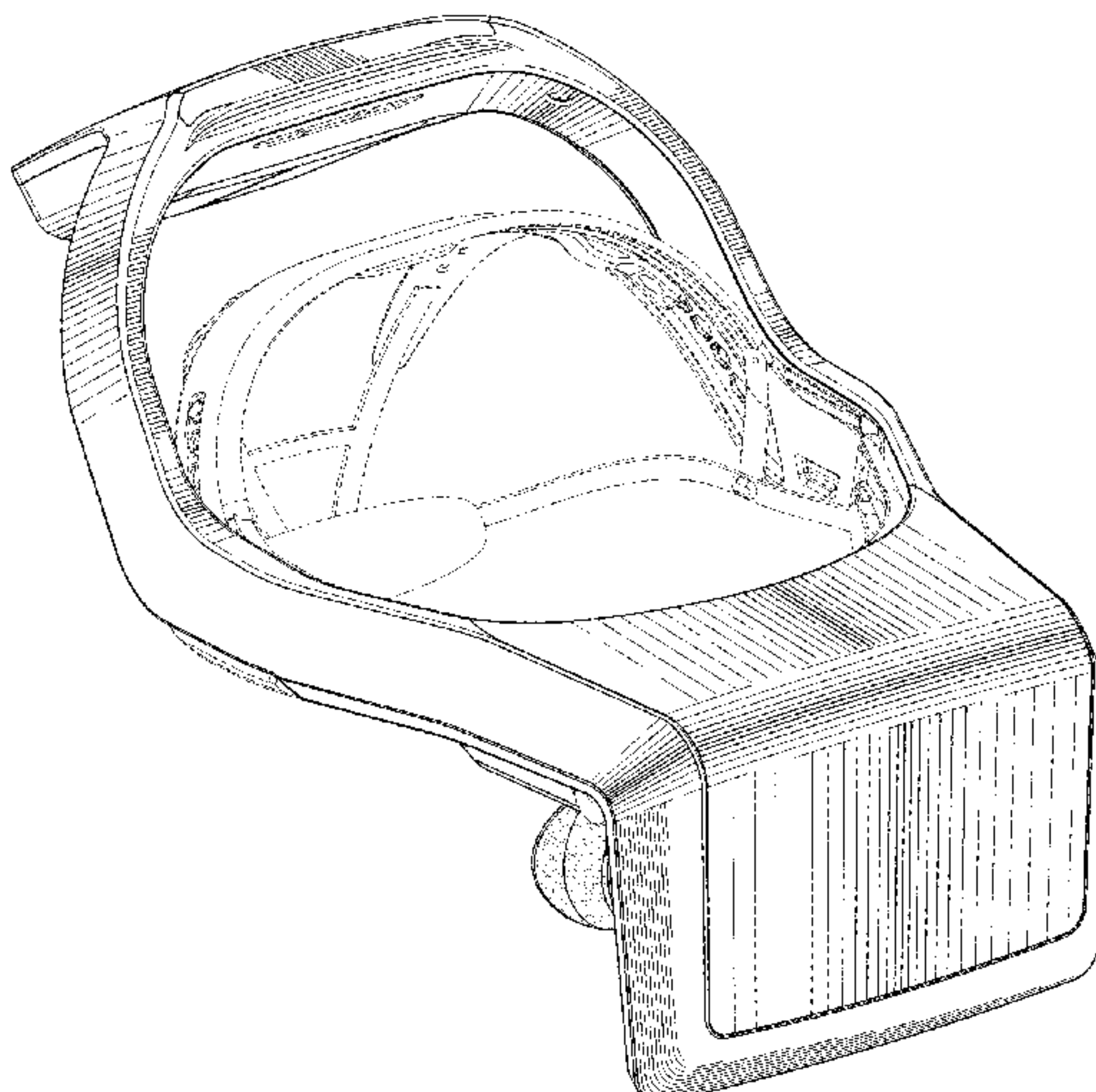
FIG. 14 is a left side view of the visor of FIG. 9.

FIG. 15 is a top plan view of the visor of FIG. 9; and,

FIG. 16 is a bottom plan view of the visor of FIG. 9.

The broken lines in the drawings depict environmental structure and form no part of the claimed design. However, in embodiments other than those illustrated, lines that are currently illustrated as broken may be redrawn as solid lines, and lines that are currently illustrated as solid may be redrawn as broken lines. The scope of the present disclosure encompasses all lines illustrated, whether broken or solid.

1 Claim, 16 Drawing Sheets



(56)

References Cited

U.S. PATENT DOCUMENTS

D719,953	S	12/2014	Nokuo	
8,928,635	B2	1/2015	Harley	
8,957,835	B2	2/2015	Hoellwarth	
D727,318	S	4/2015	Garcia Marin	
D732,028	S	6/2015	Kim	
D738,374	S	9/2015	Luckey	
D739,855	S	9/2015	Bosveld	
D740,810	S	10/2015	Bosveld	
D740,815	S	10/2015	Bosveld	
D741,323	S	10/2015	Bosveld	
D741,324	S	10/2015	Bosveld	
D741,327	S	10/2015	Reznik	
D741,858	S	10/2015	Bosveld	
9,176,325	B2	11/2015	Lyons	
D748,628	S *	2/2016	Bosveld	D14/372
D749,580	S *	2/2016	Kim	D14/372
D753,111	S *	4/2016	Fei	D14/372
D759,015	S *	6/2016	Mehin	D14/372
D764,465	S	8/2016	Clement	
D764,466	S *	8/2016	Kim	D14/372
D765,074	S *	8/2016	Katopis	D14/372
D773,461	S *	12/2016	Jiang	D14/372
D780,751	S *	3/2017	Park	D14/372
D781,288	S *	3/2017	Park	D14/372
D783,019	S *	4/2017	Letbetter	D14/372
D785,619	S *	5/2017	Su	D14/372
D791,129	S *	7/2017	Sullivan	D14/372
D792,399	S *	7/2017	Thomas	D14/372
D792,401	S *	7/2017	Tang	D14/372
2014/0152531	A1	6/2014	Murray	

* cited by examiner

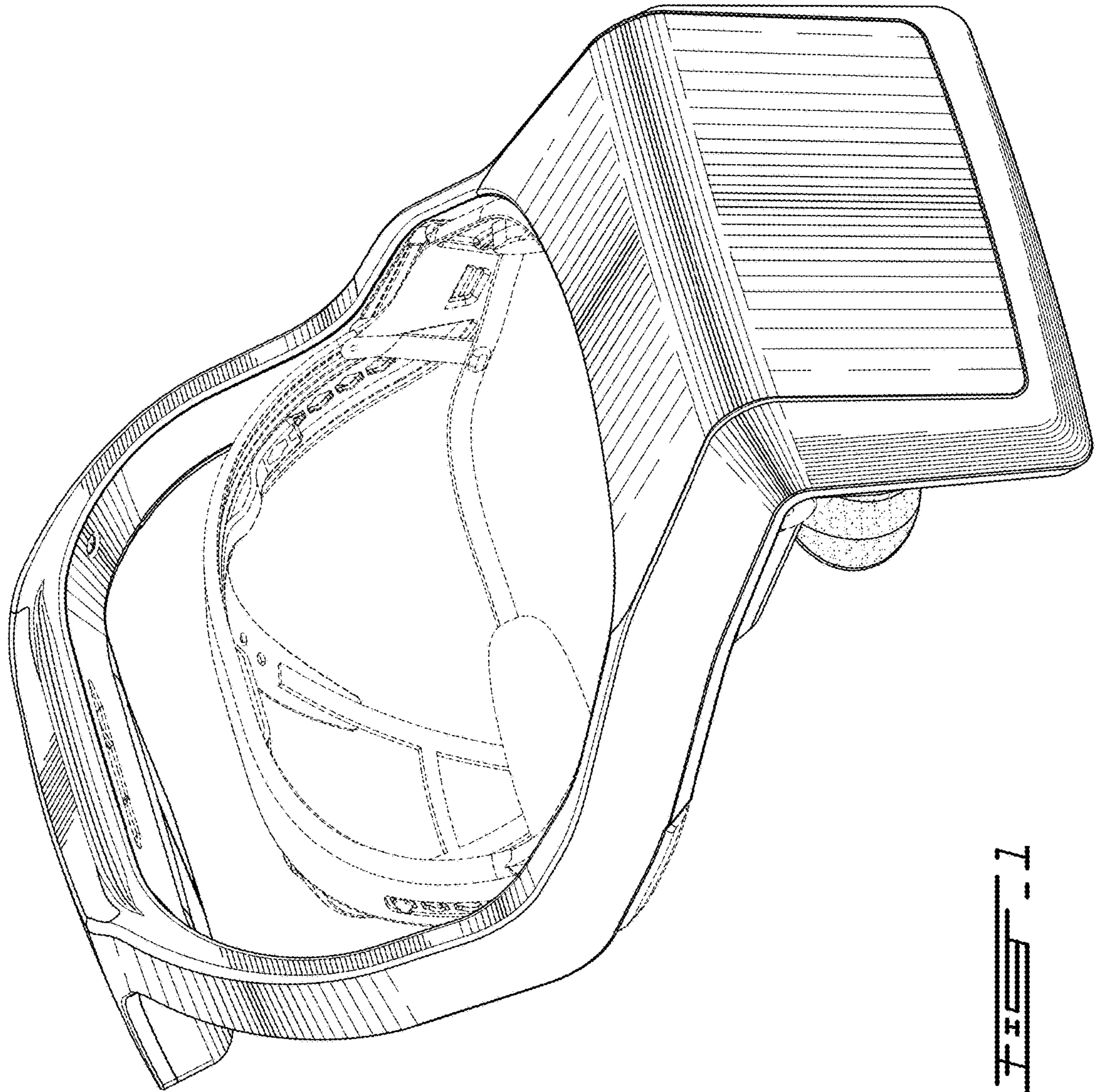


FIG. 1

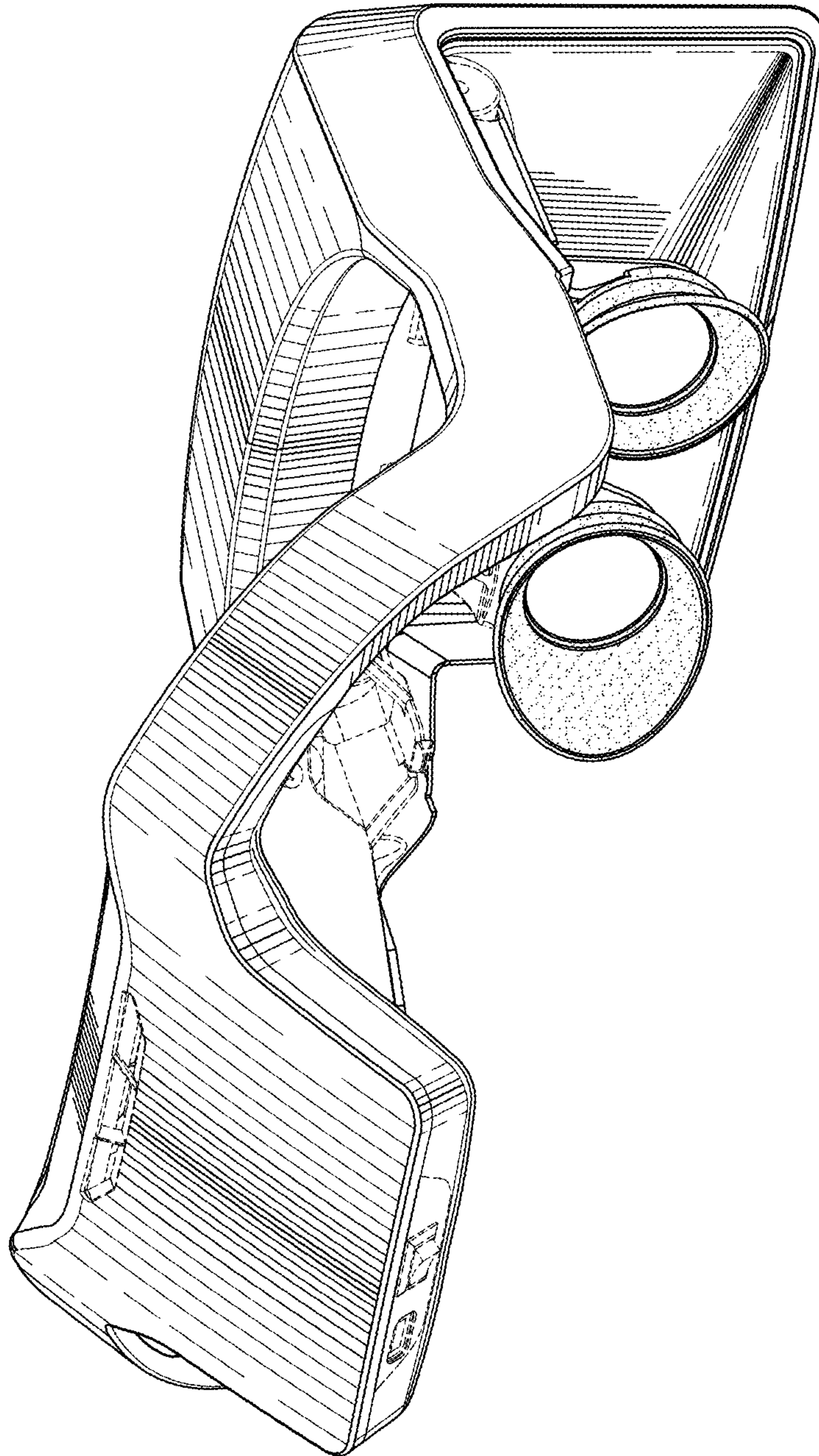


FIG. 2

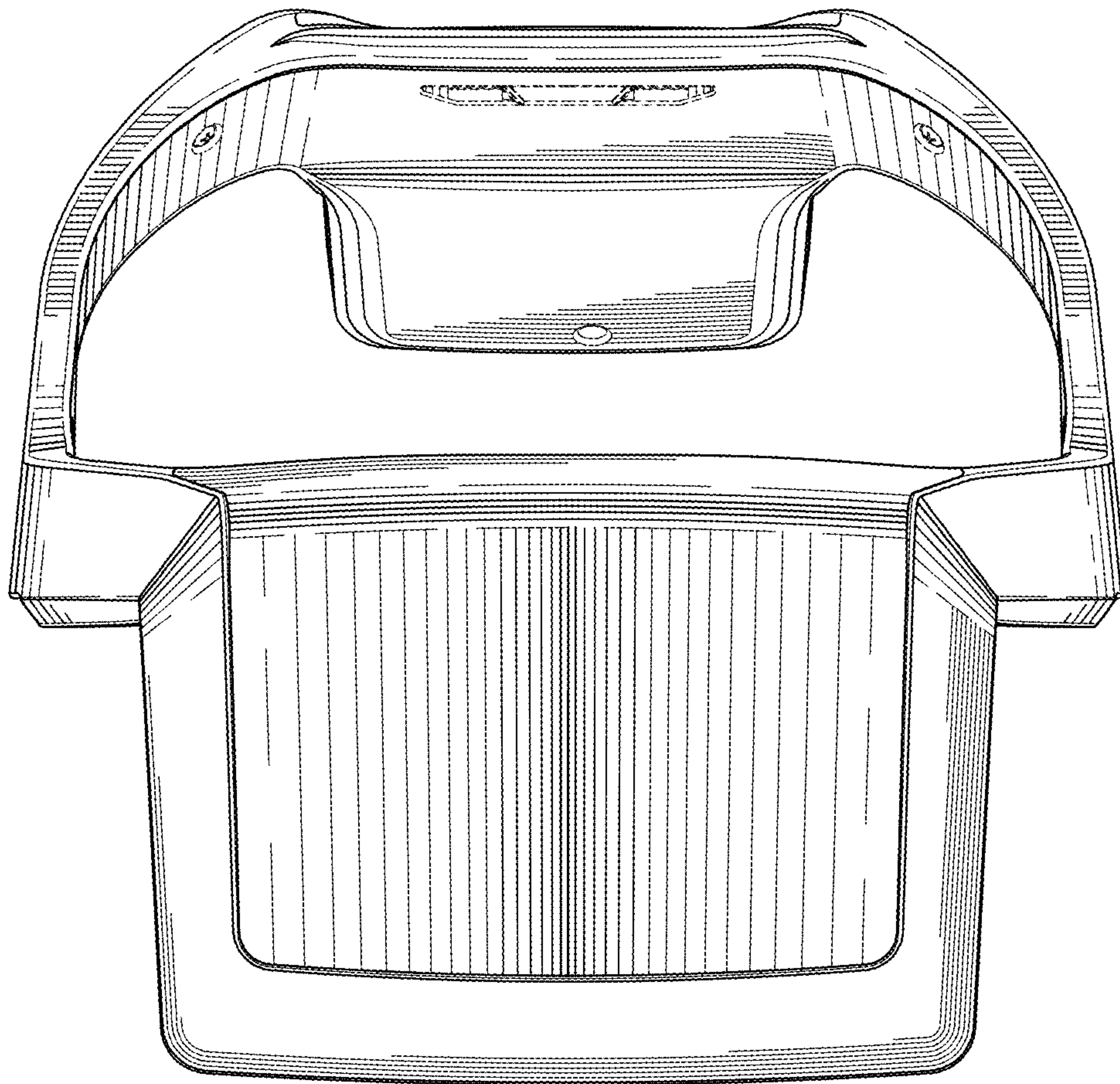


FIG. 3

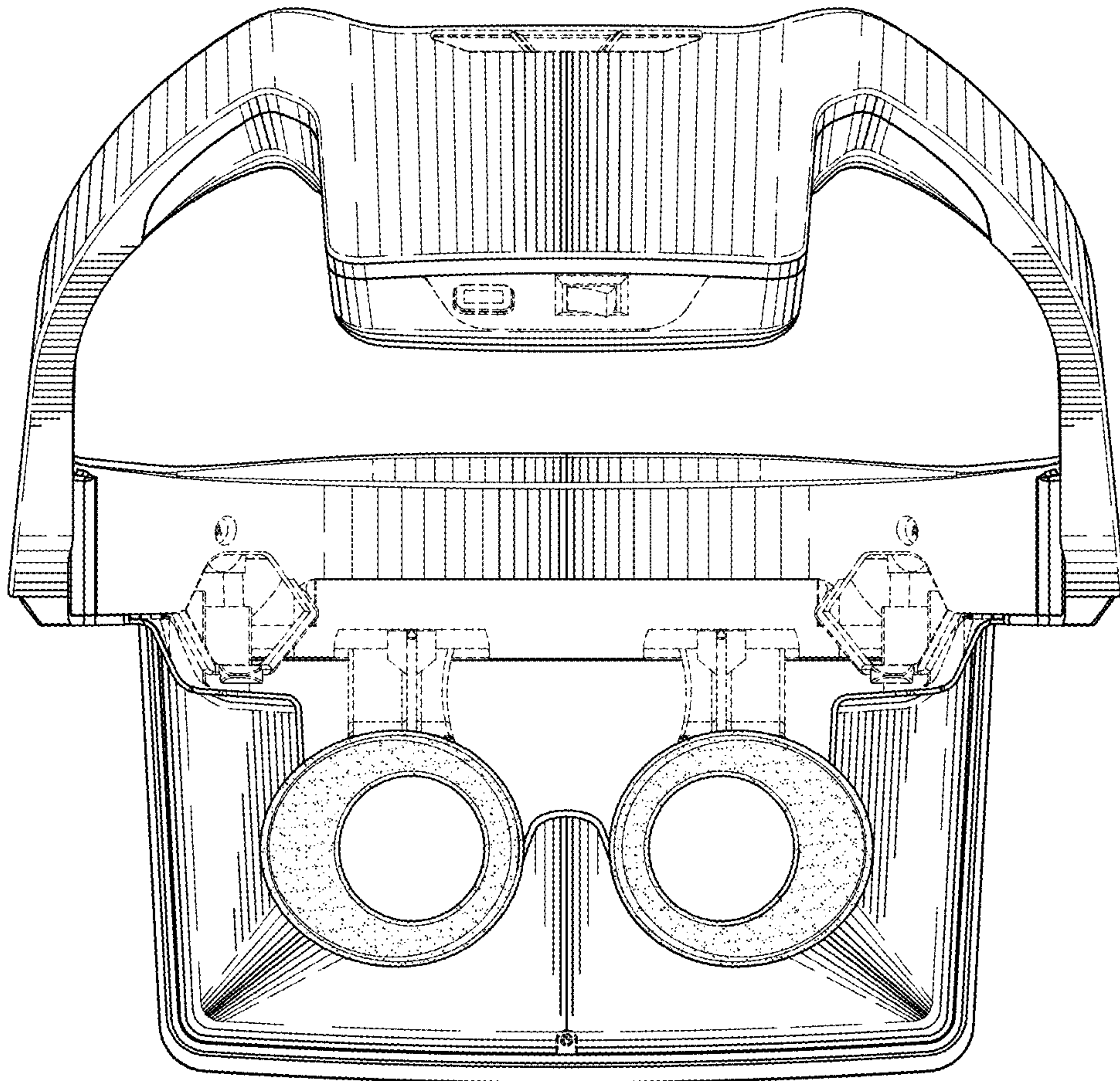


FIG. 4

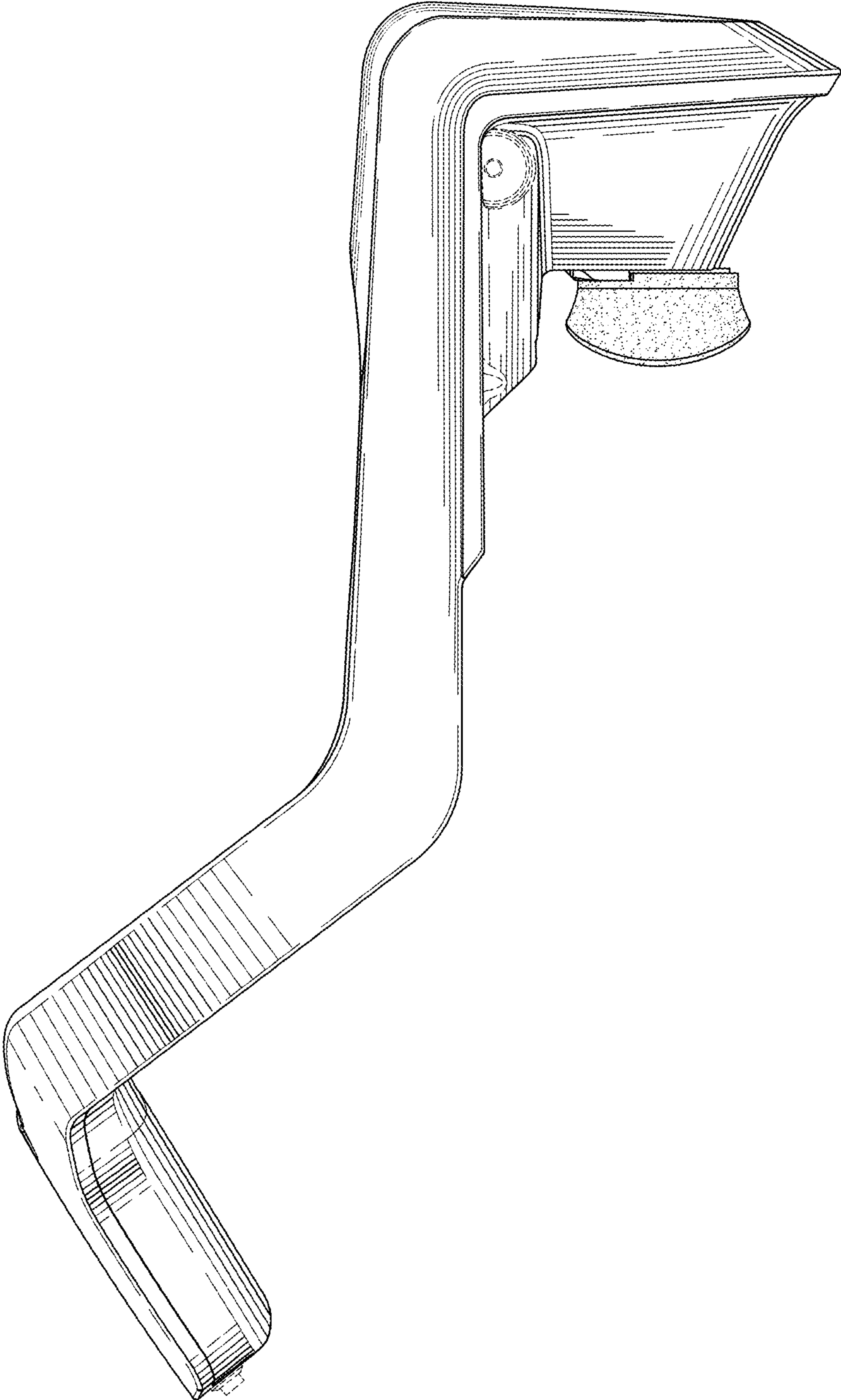


FIG. 5

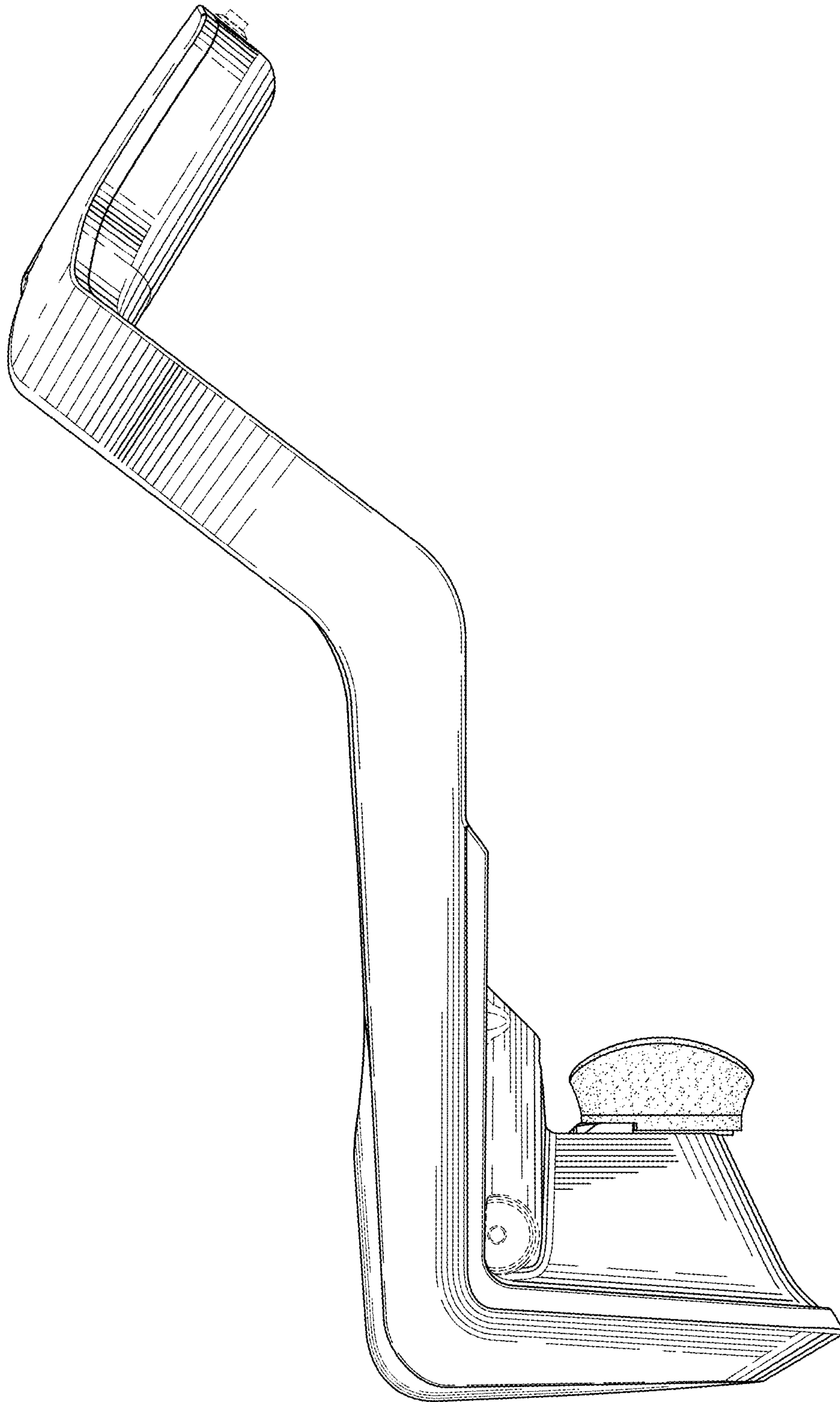


FIG. 6

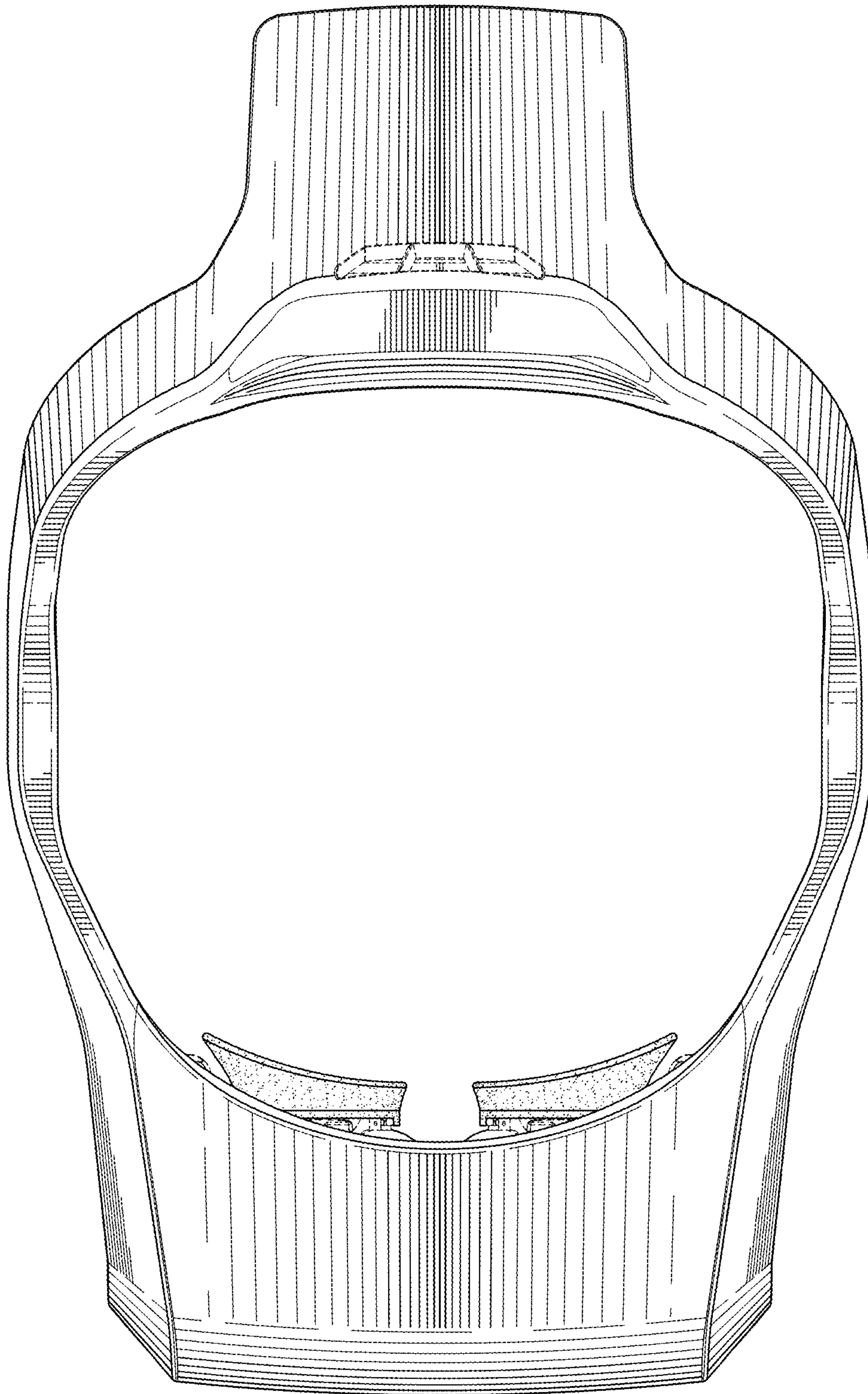


FIG. 7

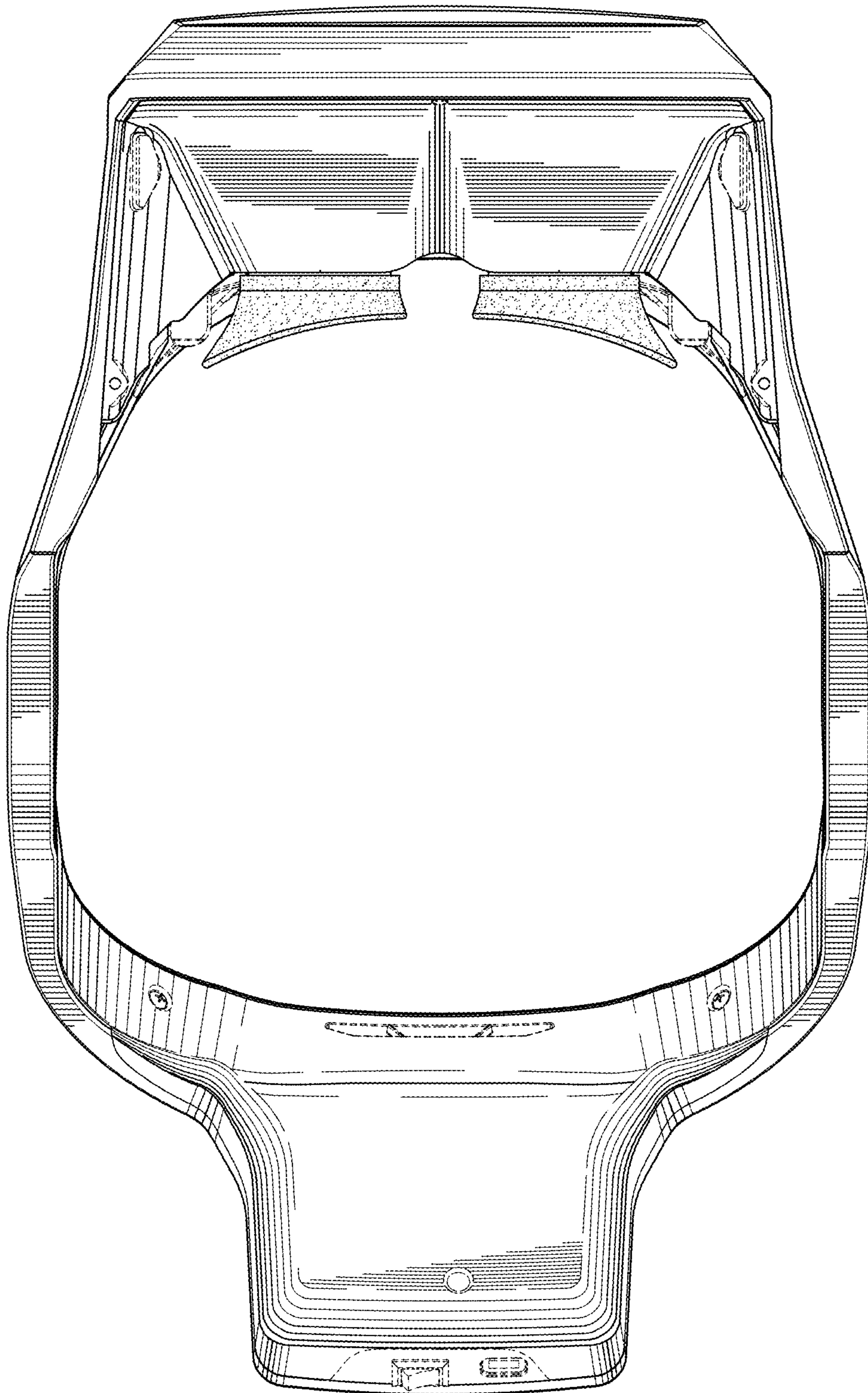


FIG. 8

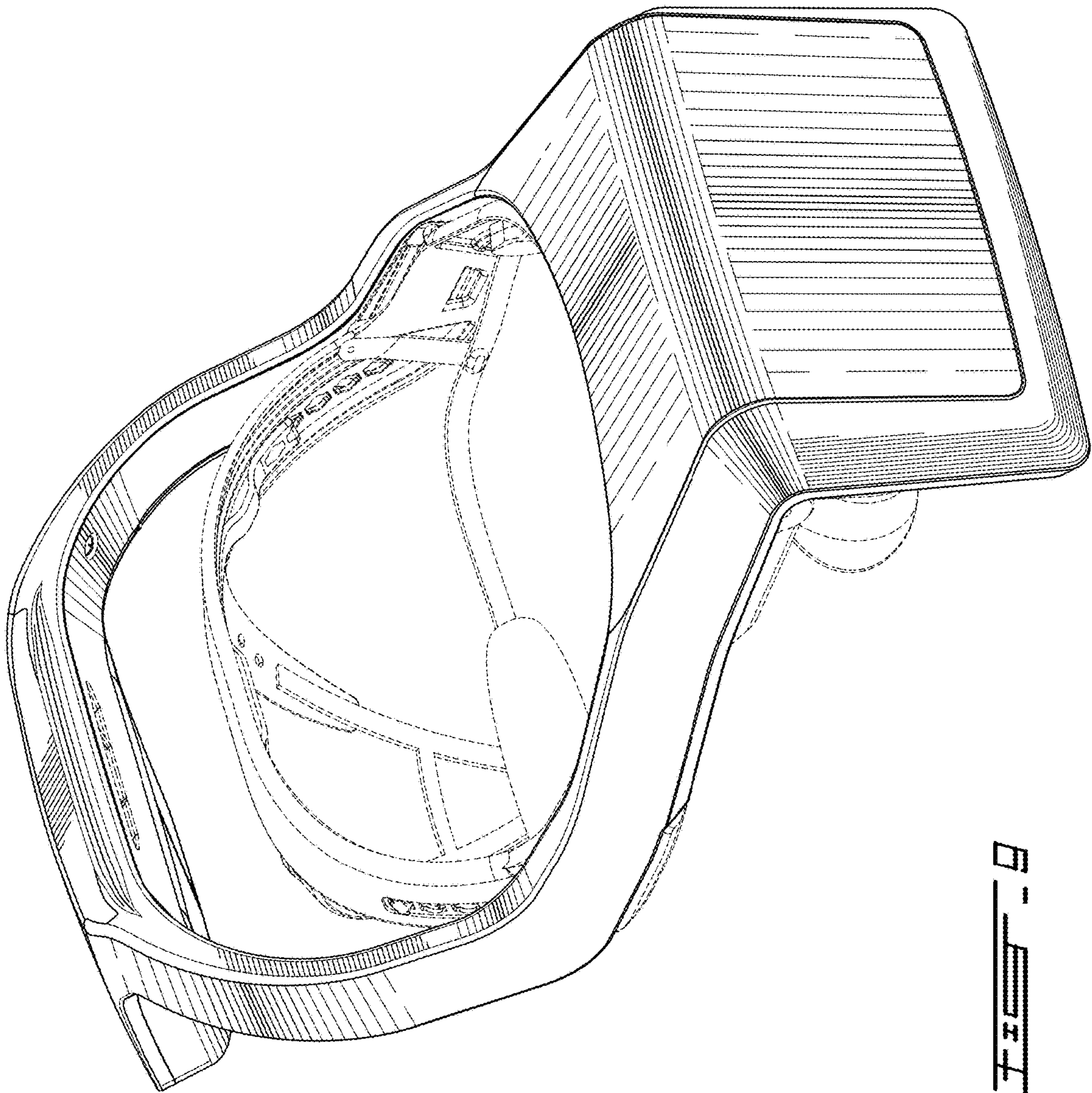


FIG. 9

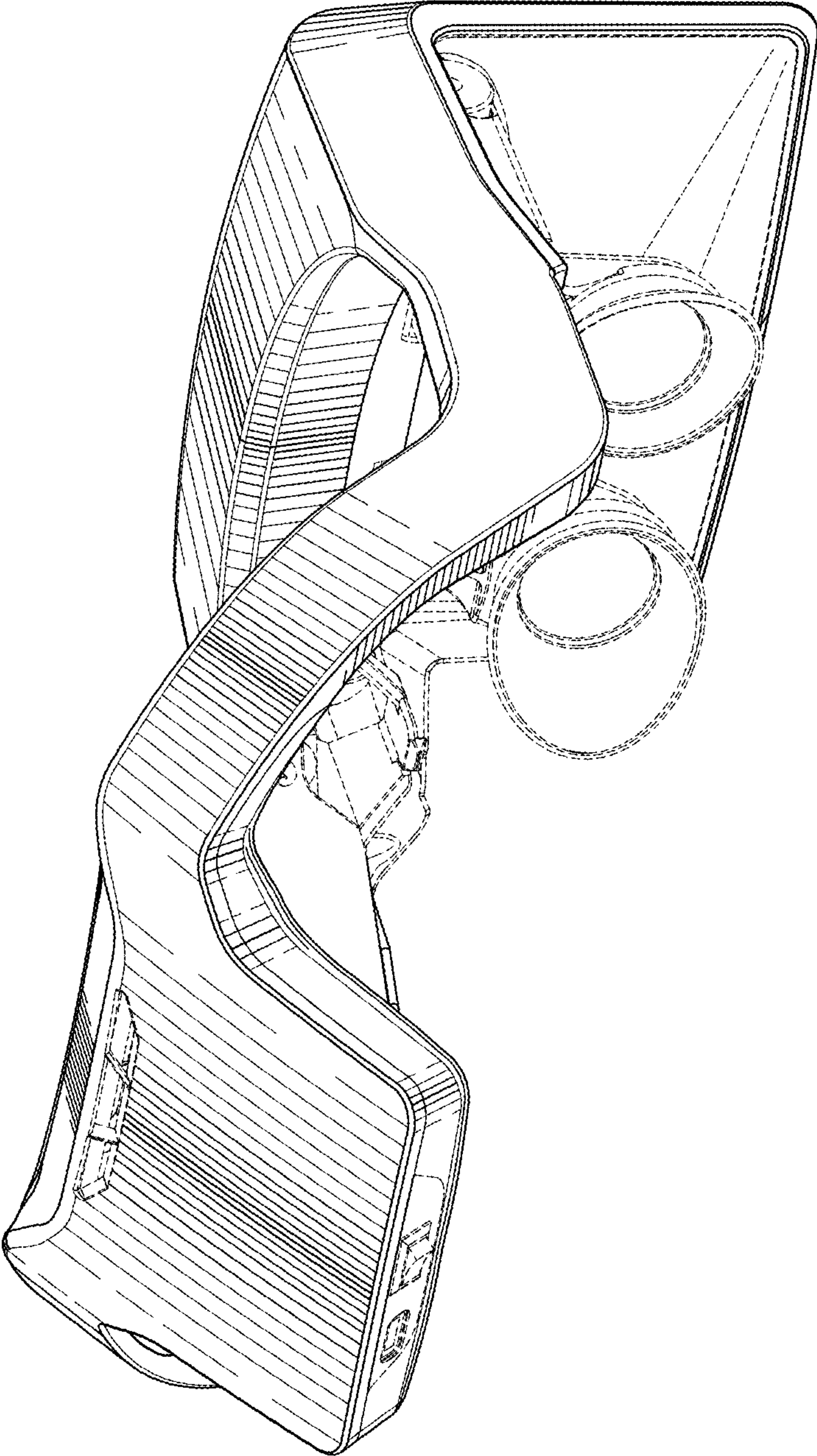


FIG. 10

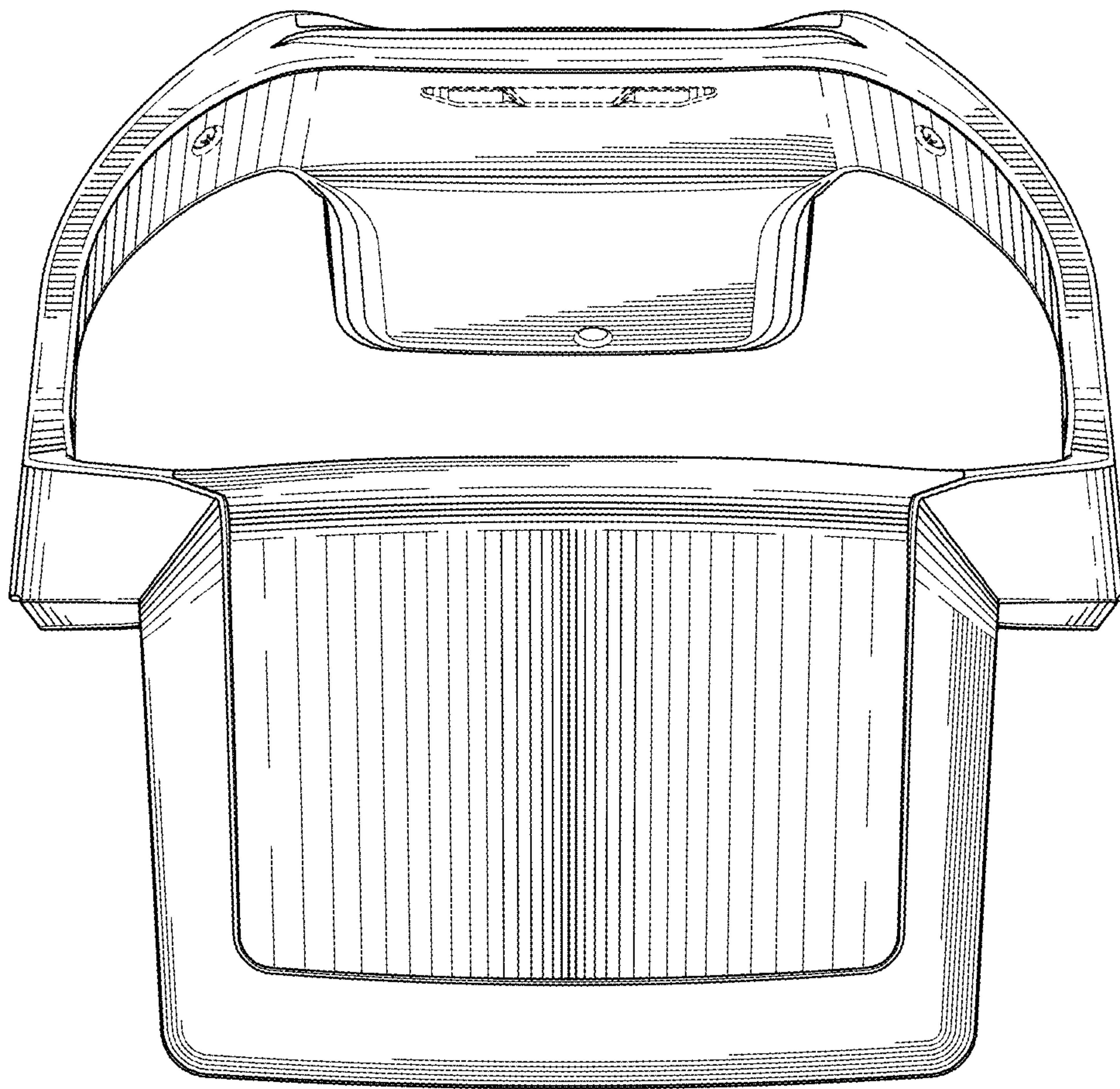


FIG. 11

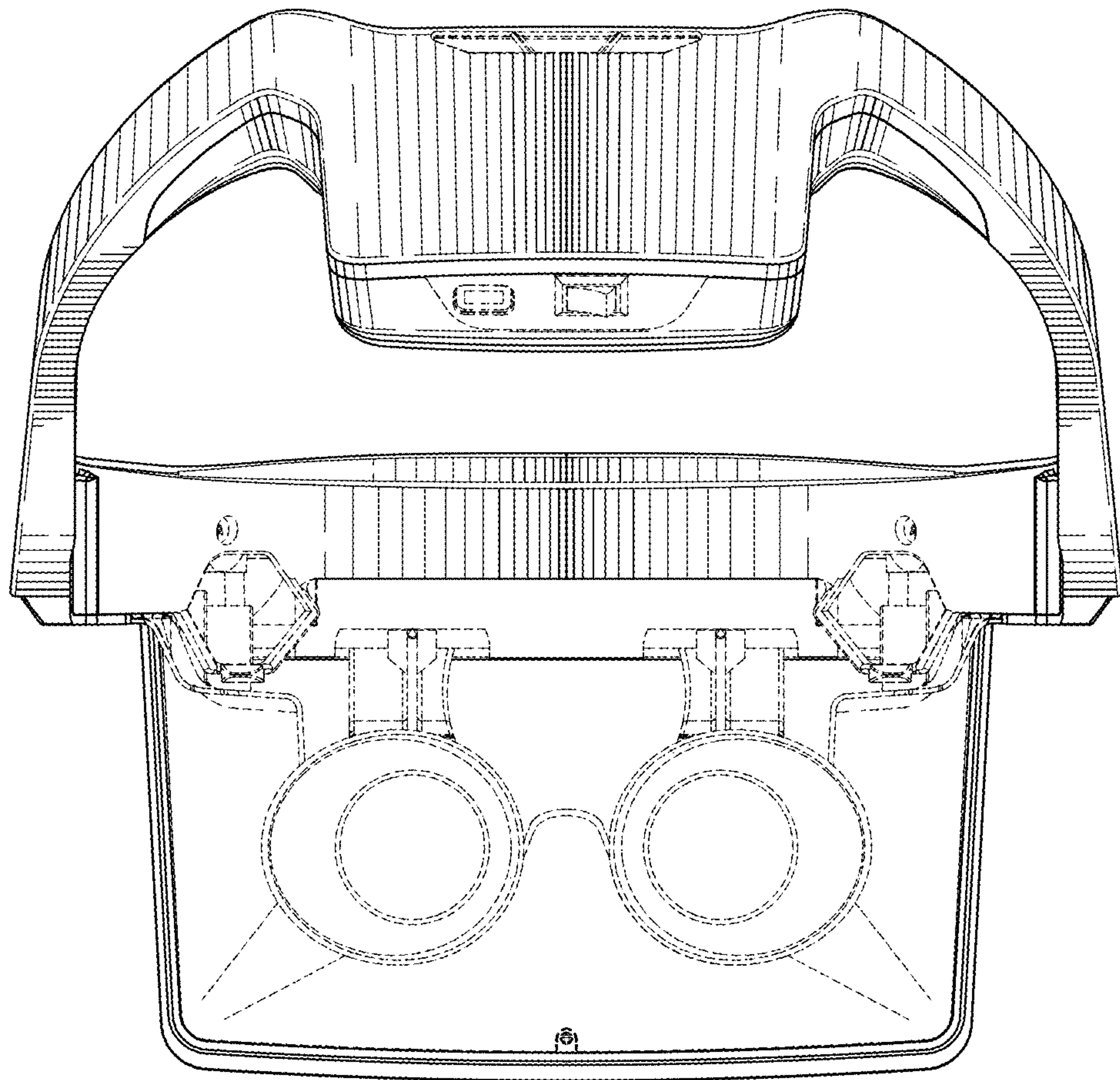


FIG. 12

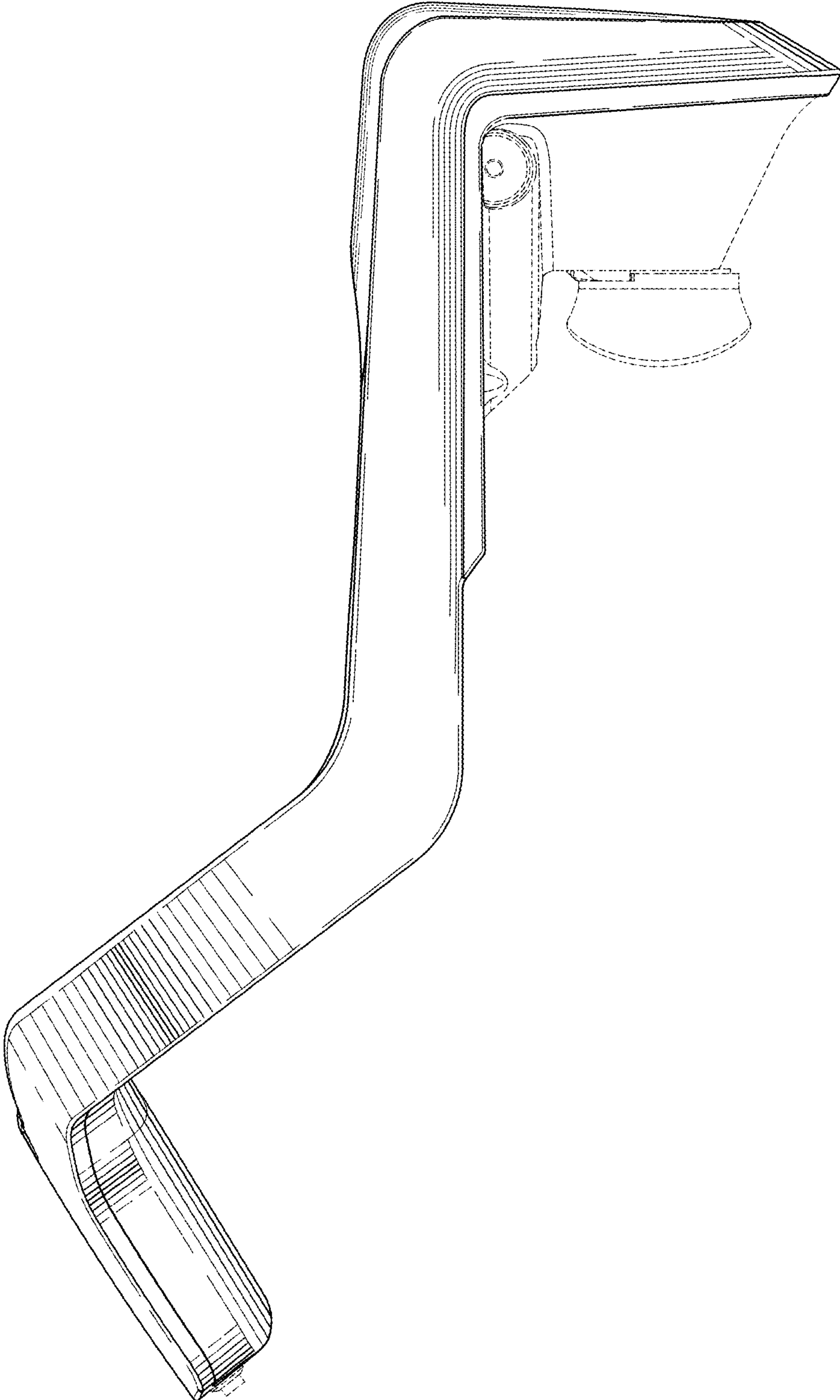


FIG. 13

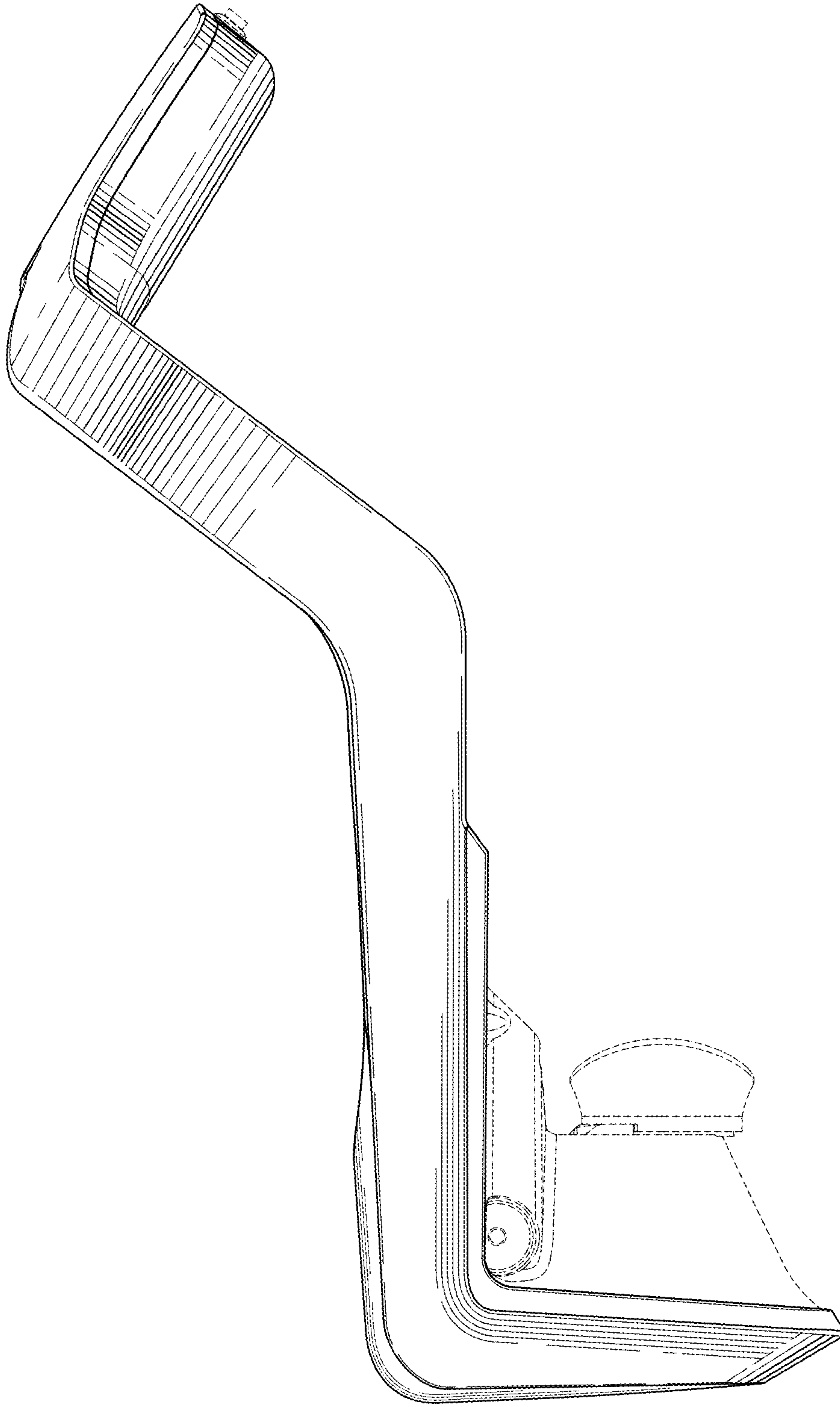


FIG. 14

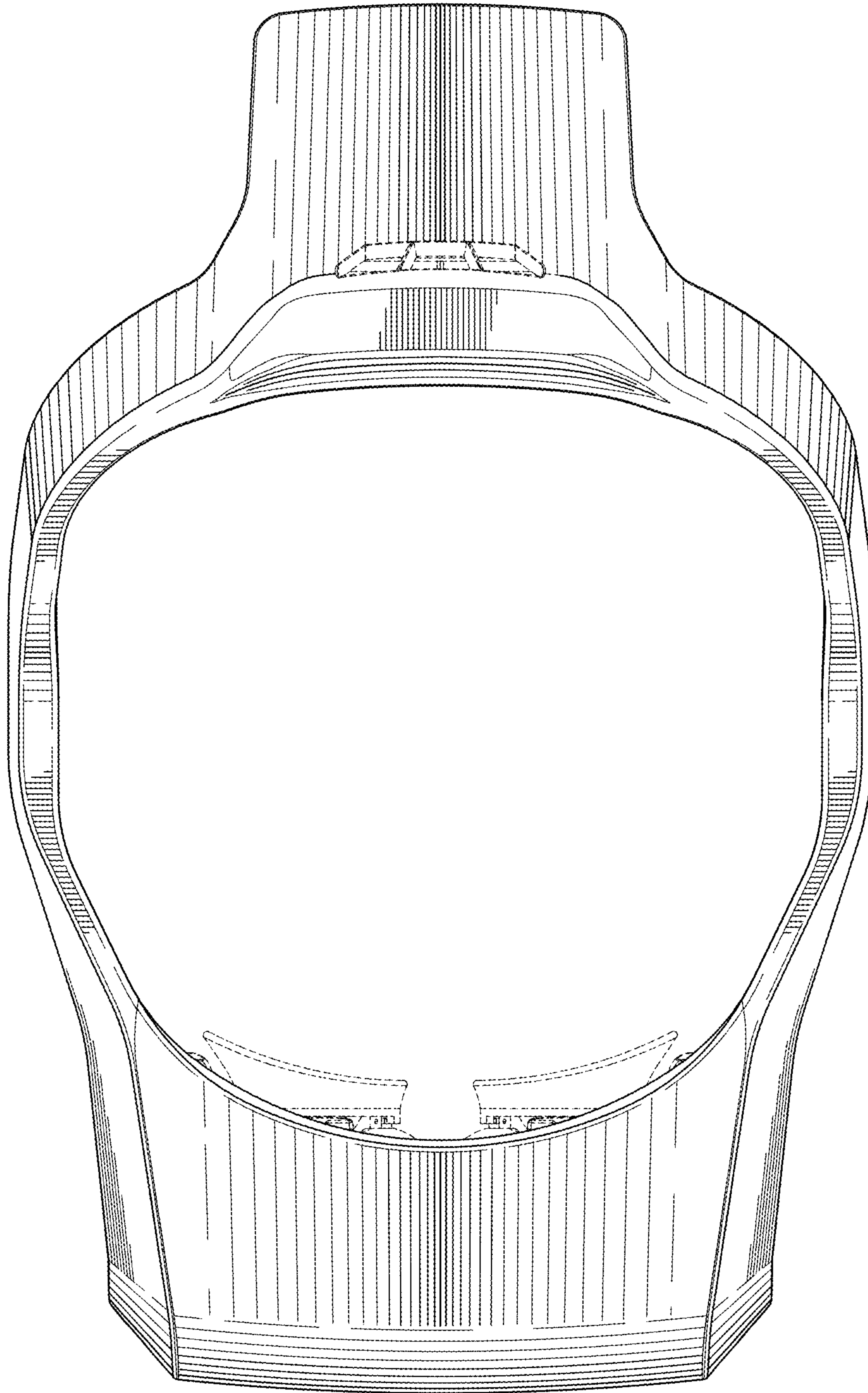


FIG. 15

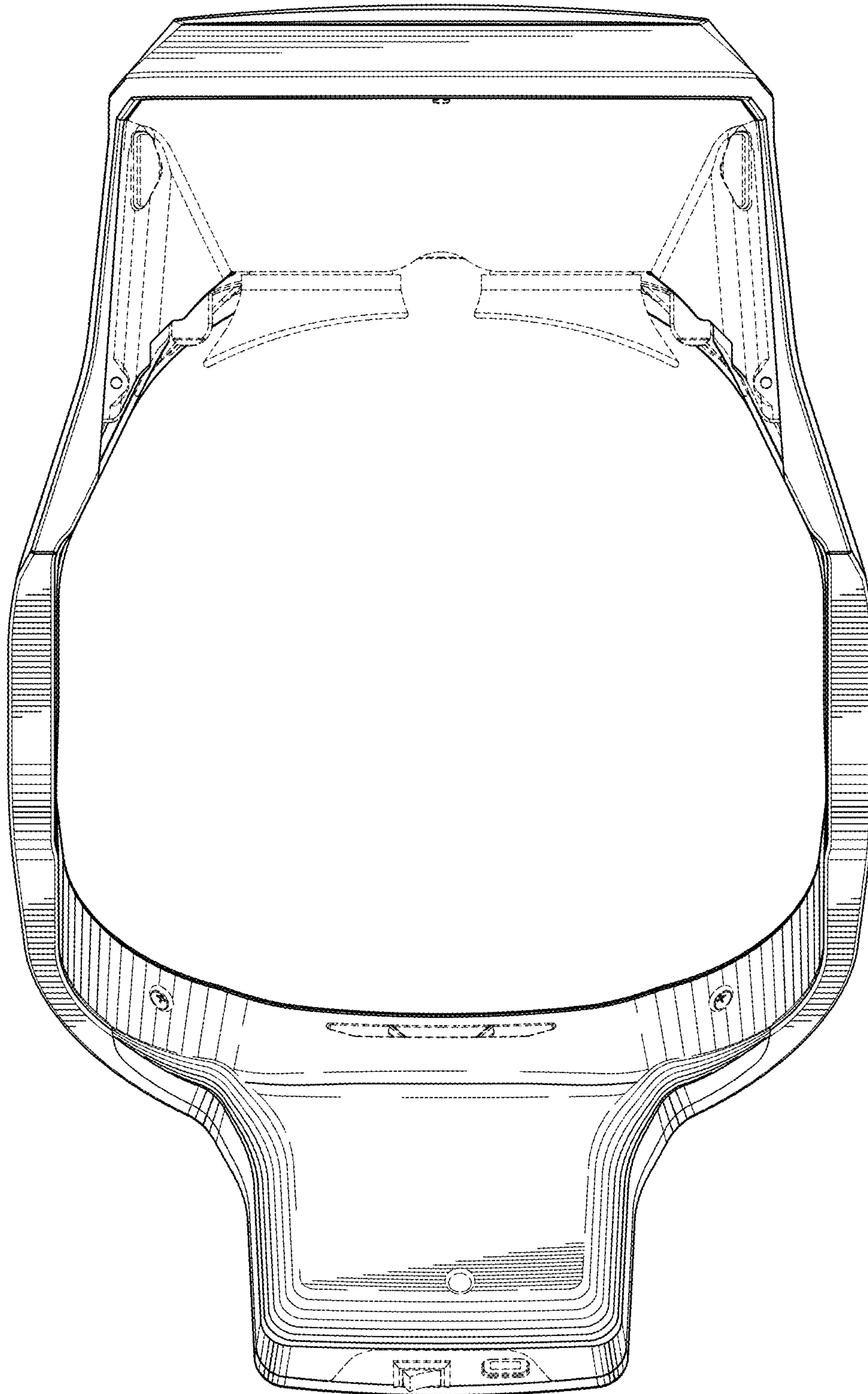


FIG. 16