



US00D805513S

(12) **United States Design Patent** (10) **Patent No.:** **US D805,513 S**
Akana et al. (45) **Date of Patent:** **** Dec. 19, 2017**

(54) **WEARABLE DEVICE**

(71) Applicant: **Apple Inc.**, Cupertino, CA (US)

(72) Inventors: **Jody Akana**, San Francisco, CA (US); **Bartley K. Andre**, Palo Alto, CA (US); **Shota Aoyagi**, San Francisco, CA (US); **Anthony Michael Ashcroft**, San Francisco, CA (US); **Jeremy Bataillou**, San Francisco, CA (US); **Daniel J. Coster**, San Francisco, CA (US); **Daniele De Iuliis**, San Francisco, CA (US); **M. Evans Hankey**, San Francisco, CA (US); **Julian Hoenig**, San Francisco, CA (US); **Richard P. Howarth**, San Francisco, CA (US); **Jonathan P. Ive**, San Francisco, CA (US); **Duncan Robert Kerr**, San Francisco, CA (US); **Marc A. Newson**, London (GB); **Matthew Dean Rohrbach**, San Francisco, CA (US); **Peter Russell-Clarke**, San Francisco, CA (US); **Benjamin Andrew Shaffer**, San Jose, CA (US); **Mikael Silvanto**, San Francisco, CA (US); **Christopher J. Stringer**, Woodside, CA (US); **Eugene Antony Whang**, San Francisco, CA (US); **Rico Zörkendörfer**, San Francisco, CA (US)

(73) Assignee: **Apple Inc.**, Cupertino, CA (US)

(**) Term: **15 Years**

(21) Appl. No.: **29/583,415**

(22) Filed: **Nov. 4, 2016**

Related U.S. Application Data

(63) Continuation of application No. 29/519,678, filed on Mar. 6, 2015, now Pat. No. Des. 771,037, which is a continuation of application No. 29/499,081, filed on Aug. 11, 2014, now Pat. No. Des. 771,035, which is

a continuation of application No. 29/499,081, filed on Aug. 11, 2014, now Pat. No. Des. 771,035.

(51) **LOC (10) Cl.** **14-02**

(52) **U.S. Cl.**
USPC **D14/344**

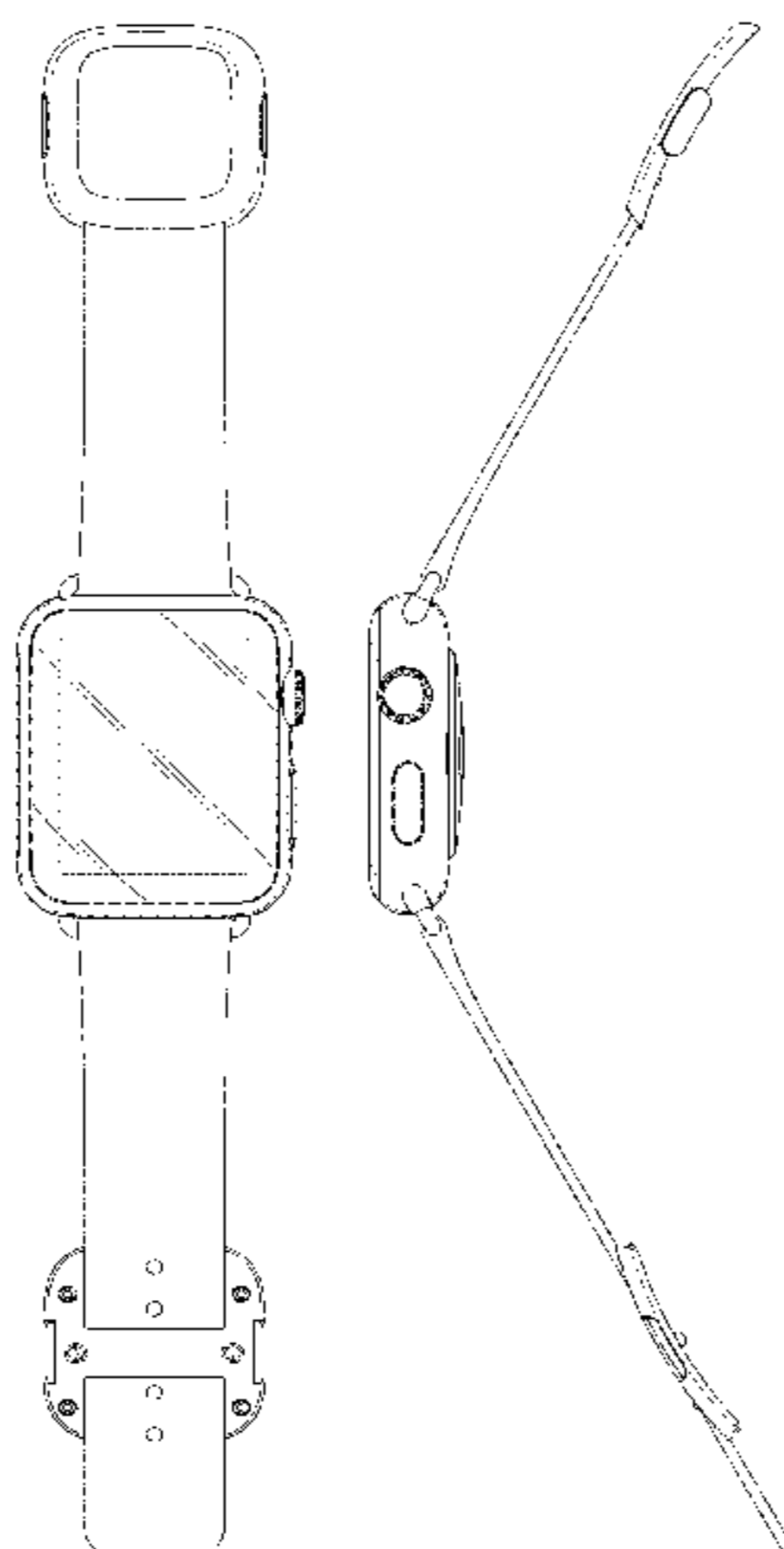
(58) **Field of Classification Search**
USPC D14/344, 138 R, 144, 358; D2/623, 626, D2/639, 878; D8/88, 356; D10/30-39, D10/70, 98; D11/3, 87, 93-94, 200, 201, D11/210, 216, 218, 221, 230-231; D24/167, 169, 186-187
CPC G06F 1/163; G06F 1/1628; G06F 1/1626; G06F 1/1635; G06F 1/08; G06F 1/10; G06F 1/04; G06F 1/14; G06F 1/3203; A41D 1/002; H04M 1/02; H04M 1/03; H04M 1/04; H04M 1/05; H04M 1/667; H04M 1/6058; Y02B 60/1217; H04B 1/385; H04B 1/3888; H04B 1/3833; A44C 5/00

See application file for complete search history.

(56) **References Cited**

U.S. PATENT DOCUMENTS

482,289 A	9/1892	Ziegler	
505,473 A	9/1893	Mehring	
1,712,734 A	5/1929	Kraemer	
2,280,490 A	4/1942	Keltie	
D152,491 S	1/1949	Osier	
3,030,686 A	4/1962	Burkhardt	
3,640,065 A	2/1972	Lederrey et al.	
3,665,565 A	5/1972	Kruger	
3,675,284 A	7/1972	Rieth	
D269,254 S	6/1983	Kishimoto	
4,470,174 A	9/1984	Rhea	
D287,471 S	12/1986	Sato et al.	
D299,718 S	2/1989	Steer et al.	
D305,422 S	1/1990	Steer et al.	
D331,020 S	* 11/1992	Ishii	D10/30
D333,626 S	3/1993	Chang	
D349,864 S	8/1994	Dunlap et al.	
5,363,351 A	11/1994	Carney	
D355,375 S	2/1995	Bandy, II	
5,386,933 A	2/1995	Greene et al.	
5,758,443 A	6/1998	Pedrazzini	
D439,172 S	3/2001	Brzezinski	
D455,093 S	4/2002	Fitzgerald	



US D805,513 S

Page 2

D473,818 S 4/2003 Salvisberg
 6,655,831 B1 12/2003 Ruffieux
 D494,098 S 8/2004 Cohen
 D496,589 S 9/2004 Perrenoud
 6,970,157 B2 11/2005 Siddeeq
 D513,195 S 12/2005 Gruosi
 7,004,469 B2 2/2006 von Goeben
 D519,052 S 4/2006 Watanabe
 D528,439 S 9/2006 Burton
 D528,928 S 9/2006 Burton
 7,106,197 B2 9/2006 Gaiotto et al.
 D536,265 S 2/2007 Reynoso
 D538,687 S 3/2007 Komulainen
 D549,602 S 8/2007 Oberrieder et al.
 D550,105 S 9/2007 Oberrieder et al.
 D558,227 S 12/2007 Cho et al.
 D560,520 S 1/2008 Oberrieder et al.
 D564,367 S 3/2008 Molyneux
 D566,580 S 4/2008 Giorgio
 D569,282 S 5/2008 Daniel
 D572,266 S 7/2008 Anderson et al.
 D573,905 S 7/2008 Poirier
 D574,735 S 8/2008 Landman et al.
 7,406,789 B2 8/2008 Story
 D578,922 S 10/2008 Hoshino
 D584,170 S 1/2009 Morrison
 D586,823 S 2/2009 Anderson et al.
 D589,375 S 3/2009 Tang
 D596,610 S 7/2009 Hou
 7,591,581 B2 9/2009 Lovegrove et al.
 D610,476 S 2/2010 Daniel
 D616,417 S 5/2010 Liao
 7,708,457 B2 5/2010 Girardin et al.
 D628,510 S 12/2010 Maier
 D637,094 S 5/2011 Cobbett et al.
 D637,918 S 5/2011 Cobbett et al.
 D645,360 S 9/2011 Kiser et al.
 D650,706 S 12/2011 Zanella et al.
 D666,503 S 9/2012 Bulgari
 D670,583 S 11/2012 Shaanan
 D672,667 S 12/2012 Mix
 D681,483 S 5/2013 Biegert et al.
 8,601,784 B2 12/2013 Kaltenrieder
 D699,701 S * 2/2014 Kim D14/203.7
 D711,002 S 8/2014 Ohnemus et al.
 D714,288 S 9/2014 Aumiller et al.
 D717,678 S 11/2014 Anderssen et al.
 D717,679 S 11/2014 Anderssen et al.
 D718,170 S 11/2014 Aumiller et al.
 D719,123 S 12/2014 Park et al.
 D724,469 S * 3/2015 Akana D11/3
 D724,556 S * 3/2015 Choi D10/32
 D727,197 S 4/2015 Akana et al.
 D727,198 S * 4/2015 Akana D11/3
 D727,199 S 4/2015 Akana et al.
 D728,624 S * 5/2015 Akana D14/496
 D729,237 S * 5/2015 Fagnot D14/344
 D729,654 S * 5/2015 Nuovo D10/103
 D729,670 S 5/2015 Nuovo et al.
 D731,346 S 6/2015 Akana et al.
 D732,416 S * 6/2015 Akana D11/3
 D737,156 S 8/2015 Akana et al.
 D737,157 S * 8/2015 Akana D10/32
 D737,158 S 8/2015 Akana et al.
 D737,159 S * 8/2015 Akana D10/32
 D739,780 S 9/2015 Akana et al.
 D740,693 S * 10/2015 Carmichael D10/32
 D741,726 S * 10/2015 Akana D10/30
 D744,356 S 12/2015 Akana et al.
 D745,421 S 12/2015 Akana et al.
 D746,707 S 1/2016 Akana et al.
 D748,008 S 1/2016 Akana et al.
 D748,009 S 1/2016 Akana et al.
 D748,010 S 1/2016 Akana et al.
 D748,527 S 2/2016 Akana et al.
 D749,009 S 2/2016 Akana et al.
 D749,460 S 2/2016 Akana et al.
 D750,524 S * 3/2016 Akana D11/3
 D751,070 S 3/2016 Akana et al.

D751,550 S * 3/2016 Solomon D10/38
 D752,044 S 3/2016 Akana et al.
 D756,357 S * 5/2016 Akana D10/30
 D756,824 S * 5/2016 Akana D10/103
 D757,819 S * 5/2016 Akana D14/496
 D758,363 S 6/2016 Akana et al.
 D759,011 S * 6/2016 Akana D14/344
 D759,121 S * 6/2016 Akana D14/203.7
 D759,725 S * 6/2016 Akana D14/496
 D760,395 S * 6/2016 Barbaric D24/186
 D764,340 S 8/2016 Akana
 D764,346 S * 8/2016 Akana D11/94
 D768,634 S 10/2016 Akana
 D771,035 S * 11/2016 Akana D14/344
 D771,037 S * 11/2016 Akana D14/344
 D782,358 S * 3/2017 Akana D11/94
 2010/0061191 A1 3/2010 Chen
 2014/0096345 A1 4/2014 Tschumi
 2014/0098649 A1 4/2014 Tschumi
 2016/0062392 A1 * 3/2016 Townsend G06F 1/163
 361/679.03
 2016/0062405 A1 * 3/2016 Mylvaganam B23K 26/364
 361/679.03
 2017/0046451 A1 * 2/2017 Akana G06F 17/50

FOREIGN PATENT DOCUMENTS

DE 10229050 C1 6/2003
 DE 20319858 U1 4/2004
 EP 1098231 A1 5/2001
 EP 2636328 A1 9/2013
 ES 001359301-0002 6/2013
 GB 618917 A 3/1949
 GB 2082277 6/1999
 GB 2088761 2/2000
 HK 0501949.8 12/2005
 HK 1001605.7 12/2010
 JP H08336406 A 12/1996
 JP D1140196 4/2002
 JP D1263841 2/2006
 JP D1279761 8/2006
 JP D1296110 3/2007
 JP D1380179 2/2010
 JP D1494268 4/2014
 JP D1511746 11/2014
 WO WO-DM/012262-001 1/1989
 WO WO-DM/066491-004 3/2005
 WO WO-DM072215 9/2009
 WO WO-DM/077452-004 6/2011
 WO WO-2013182397 A1 12/2013
 WO WO-2014135709 A2 9/2014

OTHER PUBLICATIONS

Google's upcoming smartwatch is an Android project not X Lab, posted Mar. 22, 2013, [retrieved Jul. 22, 2016]. Retrieved from Internet, <URL: <http://www.talkandroid.com/155456-google-upcoming-smartwatch-is-an-android-project-not-x-lab/>>.*
 Omate Smartwatch Launches on Kickstarter Offering a Wealth of Features, posted Aug. 22, 2013, [retrieved Jul. 22, 2016]. Retrieved from Internet, <URL: <http://www.geeky-gadgets.com/omate-smartwatch-launches-on-kickstarter-offering-a-wealth-of-features-video-22-08-2013/>>.*
 Apple Watch: What We Know So Far, posted Feb. 24, 2015, [retrieved Jun. 16, 2017]. Retrieved from Internet, <URL: <https://watchaware.com/post/4552/apple-watch-what-we-know-so-far-test-title>>.*
 Here's what the different steel Watch versions will cost you, posted Mar. 9, 2015, [retrieved Jun. 16, 2017]. Retrieved from Internet, <URL: http://www.gsmarena.com/heres_what_the_different_steel_watch_versions_will_cost_you-news-11479.php>.*
 Battle of the Smartwatches: Apple Watch vs. the Android Wear Host [Design] The Apple Watch is here, but what will you choose?, posted Sep. 10, 2014, [retrieved Jun. 16, 2017]. Retrieved from

Internet, <URL: http://news.softpedia.com/news/Battle-of-the-Smartwatches-Apple-Watch-vs-the-Android-Wear-Host-Design-458328.shtml#sgal_1>.*

Alvarez, Edgar, "Basis Peak to get its smartwatch-like features in December," *engadget.com*, <<http://www.engadget.com/2014/11/20/basis-peak-new-features/>>, dated Nov. 20, 2014, accessed Dec. 15, 2014.

Cool Material, "Braun Square Digital Watch," <<http://web.archive.org/web/20111125033014/http://coolmaterial.com/style/braun-square-digital-watch/>>, dated Nov. 25, 2011, accessed Dec. 18, 2014.

Emily, "Nixon—The Newton Digital," <<http://www.freshnessmag.com/2009/09/08/nixon-the-newton-digital/>>, *freshnessmag.com*, dated Sep. 8, 2009, accessed Oct. 9, 2014.

etsy.com, "1 Set Silver End Cap Clasp—Findings Large Toggle Clasp End Caps Buckle Connector with Five Inside Loops for Jewelry Making 26mm," <<http://www.etsy.com/listing/101269004/1-set-silver-end-cap-clasp-findings?ref=market>>, Listed on Aug. 29, 2014, accessed Oct. 9, 2014.

Fitbit, "Fitbit Surge™ Fitness Super Watch" <<https://www.fitbit.com/surge>>, accessed Dec. 15, 2014.

geekbuying.com, "Makibes unisex red led digital wrist watch with square case silicone watchband—white," <<http://www.geekbuying.com/item/Unisex-Red-LED-Digital-Wrist-Watch-with-Square-Case-Silicone-Watchband---White-326443.html>>, accessed Oct. 9, 2014.

Google's upcoming smartwatch is an Android project not X Lab, posted Mar. 22, 2013, [retrieved Jul. 22, 2016]. Retrieved from Internet, <URL: <http://www.talkandroid.com/155456-googles-upcoming-smartwatch-is-an-android-project-not-x-lab/>>.

Hodinkee.com, "Apple iPod Nano Now Available With Mickey Mouse Dial, Also Cheesy, Mechanically Inaccurate Open-Worked Dial," <<http://web.archive.org/web/20111006043916/http://www.hodinkee.com/blog/2011/10/5/apple-ipod-nano-now-available-with-mickey-mouse-dial-also-ch.html>>, dated Oct. 6, 2011, accessed Dec. 18, 2014.

Homego, "M6 Silver Smart Watch Cell Phone 1.54 inch Bluetooth 3.0 Dialer Outdoor Sports Pedometer," *amazon.com*, <<http://www.amazon.com/Silver-Bluetooth-Dialer-Outdoor-Pedometer/dp/B00MQTBGK6>>, accessed Dec. 15, 2014.

Ikepod, "Original Ikepod Watch With GMT—Marc Newson Design," *Watchbox.be*, <<http://www.watchbox.be/prod/Others-Watches/Marc%20Newson%20Design/item7165.htm#VJLm2fAo5D8>>, accessed Dec. 17, 2014.

LG Life's Good, "LG G Watch (W100)," <<http://www.lg.com/us/smart-watches/lg-W100-g-watch>>, accessed Dec. 18, 2014.

Metawatch, "Frame—Black (MW3005)," <<http://meta.watch/collections/smartwatch-all/products/frame-ss-black-leather>>, accessed Dec. 15, 2014.

Omate, "Omate TrueSmart: Water-resistant standalone Smartwatch 2.0," <<http://www.kickstarter.com/projects/omate/omate-truesmart-water-resistant-standalone-smartwa>>, dated Aug. 21, 2013, accessed Oct. 8, 2014.

Omate Smartwatch Launches on Kickstarter Offering A Wealth of Features, posted Aug. 22, 2013, [retrieved Jul. 22, 2016]. Retrieved from Internet, URL: <http://www.geeky-gadgets.com/omate-smartwatch-launches-on-kickstarter-offering-a-wealth-offeatures-video-22-08-2013/>.

Omate, "The TrueSmart™ is the world's first standalone smartwatch 2.0 running on top of Android and OUI 2.0," <<http://www.omate.com/product.html>>, accessed Dec. 15, 2014.

[Online] <<http://everydaydigitals.com/heres-what-i-think/21/apples-wearable-device-will-be-more-nike-fuel-band-than-pebble-watch>> Retrieved on Dec. 25, 2014.

[Online] <<http://www.computerworlduk.com/slideshow/mobile-wireless/3573389/the-many-looks-of-the-apple-watch/6/#content>> Retrieved on Dec. 25, 2014.

Pebble, "Pebble Smartwatch," *getpebble.com*, <<https://getpebble.com/checkout>>, accessed Dec. 15, 2014.

Samsung, "Samsung Gear™ 2 Charcoal Black SM-R3800VSAXAR," <<http://www.samsung.com/us/mobile/wearable-tech/SM-R3800VSAXAR>>, accessed Dec. 15, 2014.

Samsung, "Samsung Gear S™, (Sprint), Black SM-R750PZKASPR," <<http://www.samsung.com/us/mobile/wearable-tech/SM-R750PZKASPR>>, accessed Dec. 15, 2014.

Samsung, "Galaxy Gear™ Live, Black SM-R3820ZKAXAR," <<http://www.samsung.com/us/mobile/wearable-tech/SM-R3820ZKAXAR>>, accessed Dec. 15, 2014.

Sony, "SmartWatch," <<http://www.sonymobile.com/us/products/accessories/smartwatch/>>, accessed Dec. 15, 2014.

Sony, "SmartWatch 3 SWR50," <<http://www.sonymobile.com/us/products/smartwear/smartwatch-3-swr50/>>, accessed Dec. 15, 2014.

Stables, James, "Clevercare smartwatch aims to help Alzheimer's suffers and carers: Revamped Sony SmartWatch 2 designed for users that need care," *Wearable News*, <<http://www.wearable.com/wearable-tech/clevercare-smartwatch-aims-to-help-alzheimers-suffers-and-carers-585>>, dated Dec. 15, 2014.

Team Luxe, "Collector's Edition: Hermes Carre H Watch," *Luxpresso*, <<http://luxpresso.com/news-couture/collectors-edition-hermes-carre-h-watch/2814>>, dated Jan. 10, 2011, accessed Dec. 18, 2014.

Ted Baker, "Ted Baker Men's TE1054 Time Flies Contemporary Square Digital Case Watch," <<http://www.amazon.com/Ted-Baker-TE1054-Contemporary-Digital/dp/B0045CRTYO%3FSubscriptionId%3DAKIAJ3U4YRIBWCGGKZ2A%26tag%3Dfrases365-20%26linkCode%3Dsp1%26camp%3D2025%26creative%3D165953%26creativeASIN%3DB0045CRTYO>>, accessed Oct. 9, 2014.

Velazco, Chris, "ASUS ZenWatch review: subtle and stylish, with a few shortcomings," *Engadget.com*, <<http://www.engadget.com/2014/12/11/asus-zenwatch-review/>>, dated Dec. 11, 2014, accessed Dec. 15, 2014.

Watches Infoniac.com, "Hermes Carre H Watch—Extremely Contemporary Design," <<http://watches.infoniac.com/carre-h-watch-hermes.html>>, dated Aug. 13, 2010, accessed Dec. 18, 2014.

Watchismo, "Braun BN0042 Black Date Leather," <<http://web.archive.org/web/20130815073830/http://www.watchismo.com/braun-bn0042bkbk.aspx>>, dated Aug. 15, 2013, accessed Dec. 18, 2014.

U.S. Appl. No. 29/499,071, filed Aug. 11, 2014; Akana et al.

U.S. Appl. No. 29/499,082, filed Aug. 11, 2014; Akana et al.

U.S. Appl. No. 29/499,090, filed Aug. 11, 2014; Akana et al.

* cited by examiner

Primary Examiner — Barbara Fox

Assistant Examiner — Kristin E Reed

(74) *Attorney, Agent, or Firm* — Sterne, Kessler, Goldstein & Fox P.L.L.C.

(57) **CLAIM**

The ornamental design for a wearable device, as shown and described.

DESCRIPTION

FIG. 1 is a front view of a wearable device showing the claimed design;

FIG. 2 is a rear view thereof;

FIG. 3 is a right side view thereof;

FIG. 4 is a left side view thereof;

FIG. 5 is a top view thereof; and,

FIG. 6 is a bottom view thereof.

The oblique shade lines in the figures show a transparent, reflective, or shiny surface, and not surface ornamentation. The broken lines in the figures depict portions of the wearable device that form no part of the claimed design.

1 Claim, 4 Drawing Sheets

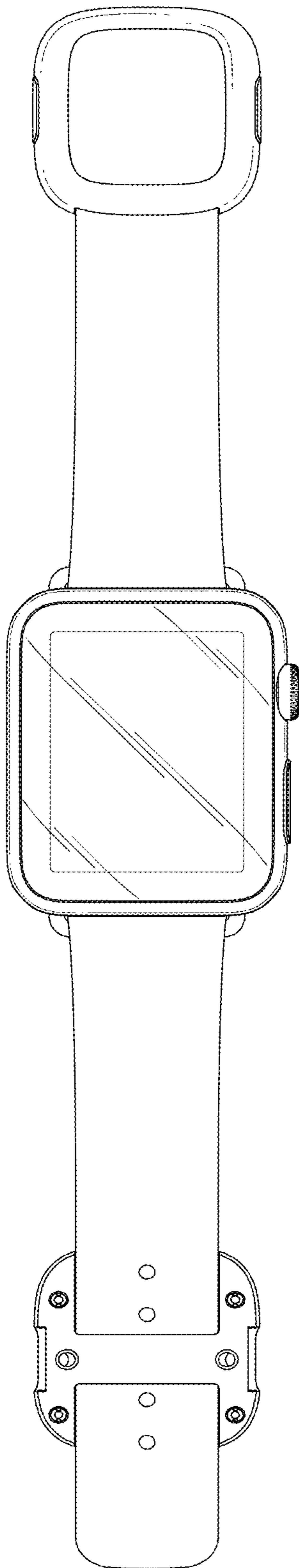


FIG. 1

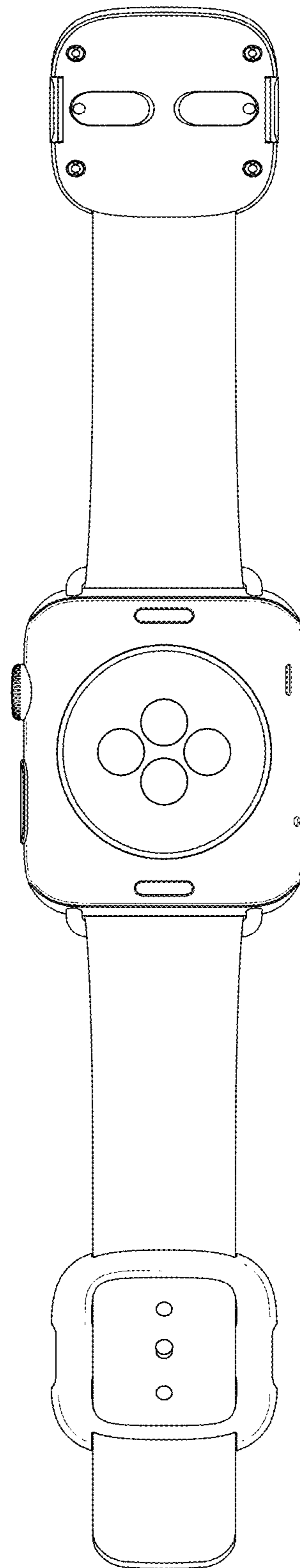


FIG. 2

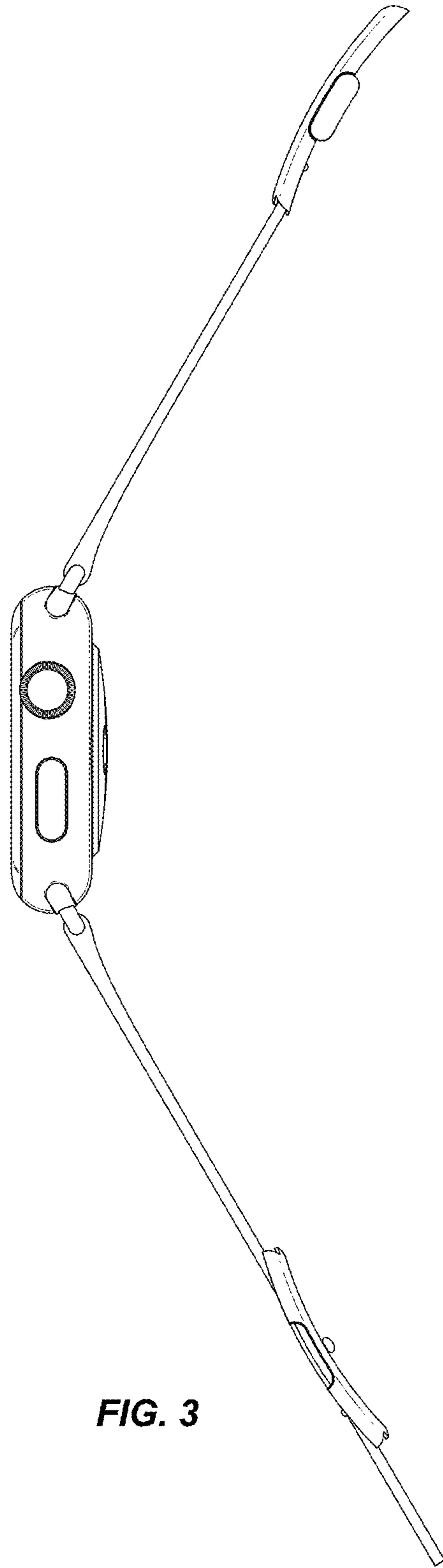


FIG. 3

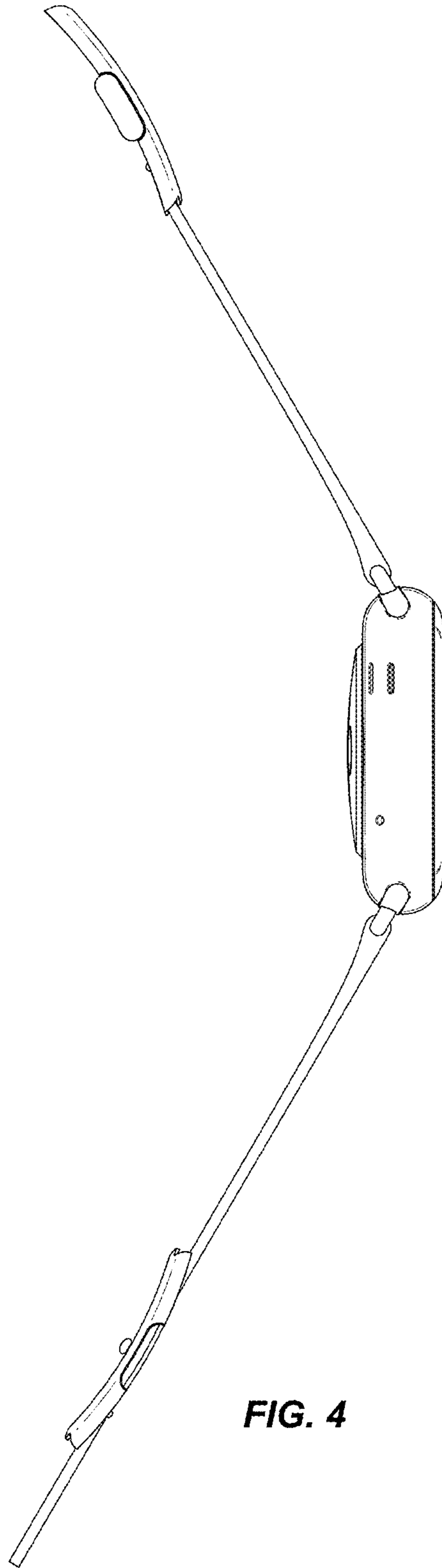


FIG. 4

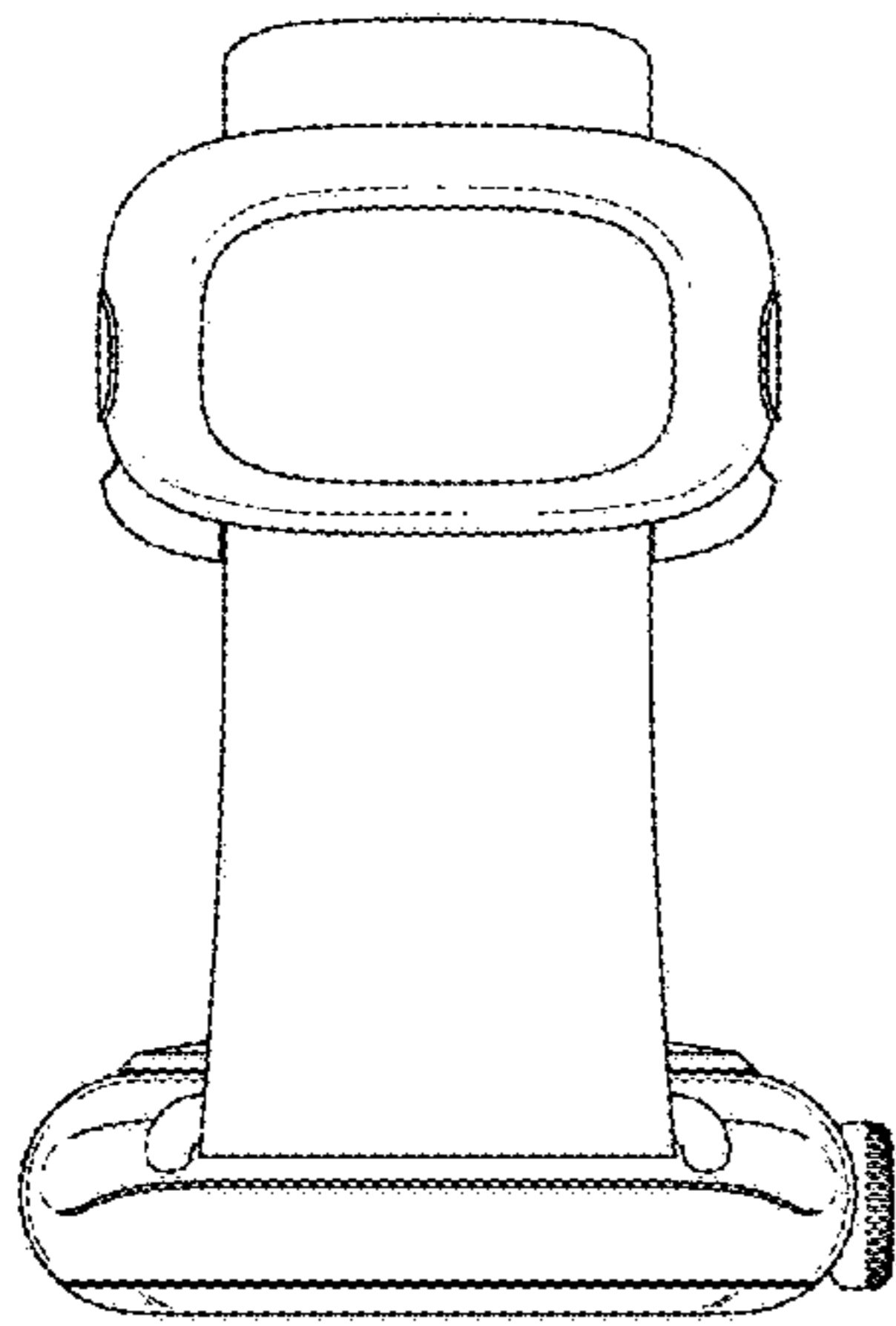


FIG. 5

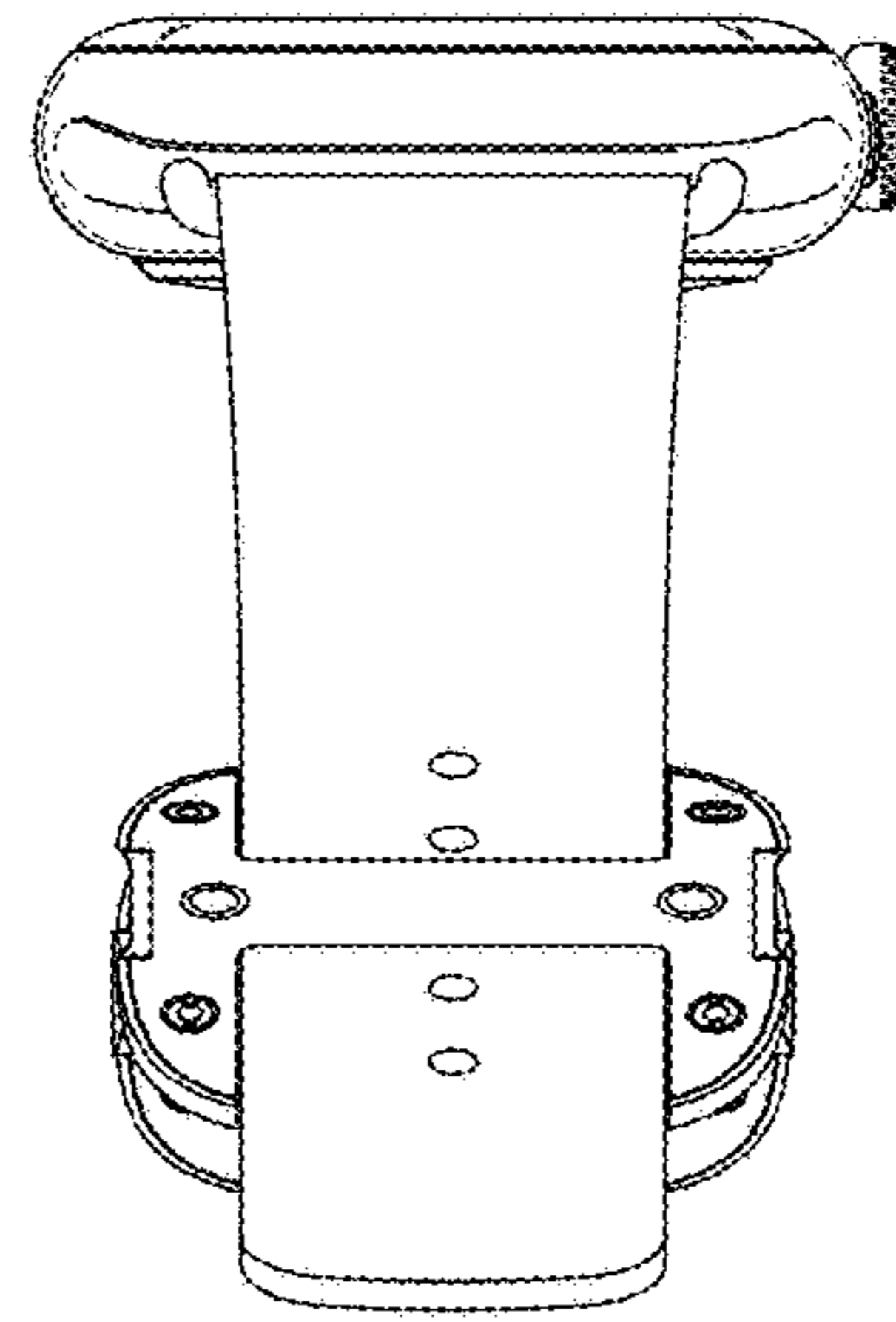


FIG. 6

UNITED STATES PATENT AND TRADEMARK OFFICE
CERTIFICATE OF CORRECTION

PATENT NO. : D805,513 S
APPLICATION NO. : 29/583415
DATED : December 19, 2017
INVENTOR(S) : Akana et al.

Page 1 of 1

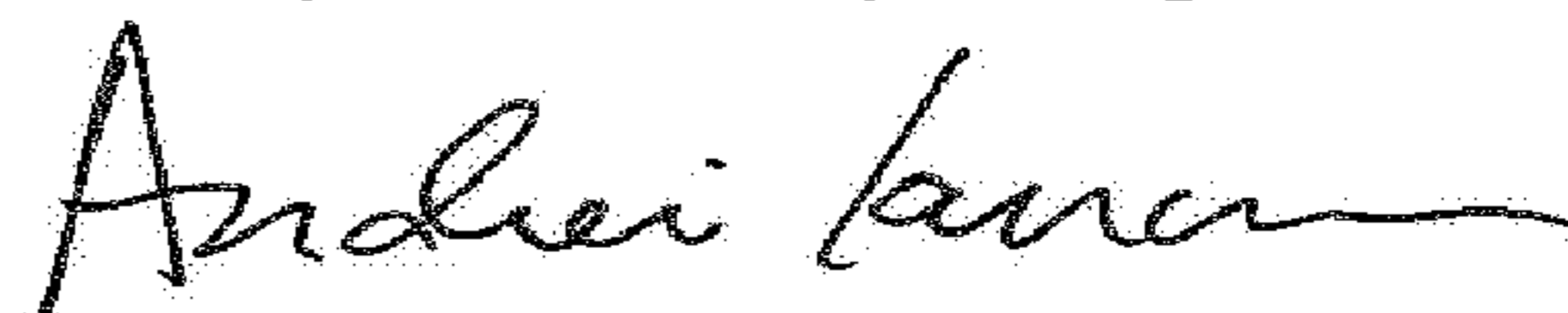
It is certified that error appears in the above-identified patent and that said Letters Patent is hereby corrected as shown below:

On the Title Page

Please amend the "Related U.S. Application Data" item (63) to read as follows:

--Continuation of application No. 29/519,678, filed on Mar. 6, 2015, now Pat. No. Des. 771,037, which is a continuation of application No. 29/499,081, filed on Aug. 11, 2014, now Pat. No. Des. 771,035, and a Continuation of application No. 29/499,081, filed on Aug. 11, 2014, now Pat. No. Des. 771,035.--.

Signed and Sealed this
Twenty-fourth Day of April, 2018



Andrei Iancu
Director of the United States Patent and Trademark Office