



US00D805512S

(12) **United States Design Patent**
Kim et al.

(10) **Patent No.:** **US D805,512 S**
(45) **Date of Patent:** **** Dec. 19, 2017**

(54) **ELECTRONIC DEVICE**

(71) Applicant: **Samsung Electronics Co., Ltd.**,
Suwon-si (KR)

(72) Inventors: **Sungkwon Kim**, Seoul (KR); **Chungha Kim**, Seoul (KR); **Kwaneui Hong**,
Yongin-si (KR)

(73) Assignee: **SAMSUNG ELECTRONICS CO., LTD.**, Suwon-si (KR)

(**) Term: **15 Years**

(21) Appl. No.: **29/548,488**

(22) Filed: **Dec. 14, 2015**

(30) **Foreign Application Priority Data**

Jun. 24, 2015 (KR) 30-2015-0031949

(51) **LOC (10) Cl.** **14-02**

(52) **U.S. Cl.**
USPC **D14/341**

(58) **Field of Classification Search**
USPC D14/341, 347, 137, 138 R, 138 AA,
D14/138 C, 138 G, 203.1, 203.3, 203.7,
(Continued)

(56) **References Cited**

U.S. PATENT DOCUMENTS

D382,735 S * 8/1997 Zapf D6/703.1
D624,070 S 9/2010 Lee et al.
(Continued)

FOREIGN PATENT DOCUMENTS

EM 002335968-0005 1/2014

OTHER PUBLICATIONS

Unknown, Wacom Cintiq 13HD Creative Pen Display 13 “Graphics Tablet DTK-1301 1920×1080”, unknown publishing date, published on the internet at joybay.co.kr: <<http://www.joybay.co.kr/au/shop.item/281100112627>> (Last accessed Nov. 2, 2017).

Primary Examiner — Barbara Fox

(74) *Attorney, Agent, or Firm* — McAndrews Held & Malloy, Ltd.

(57) **CLAIM**

The ornamental design for an electronic device, as shown and described.

DESCRIPTION

FIG. 1 is a top perspective view of an electronic device showing our new design;

FIG. 2 is a front elevation view thereof;

FIG. 3 is a rear elevation view thereof;

FIG. 4 is a left-side elevation view thereof;

FIG. 5 is a right-side elevation view thereof;

FIG. 6 is a top plan view thereof;

FIG. 7 is a bottom plan view thereof;

FIG. 8 is a bottom perspective view thereof;

FIG. 9 is an enlarged view of the portion encircled in FIG.

1;

FIG. 10 is an enlarged view of the portion encircled in FIG.

2;

FIG. 11 is an enlarged view of the portion encircled in FIG.

4;

FIG. 12 is an enlarged view of the portion encircled in FIG.

6; and,

FIG. 13 is an enlarged view of the portion encircled in FIG.

8.

The dashed broken lines depict portions of the electronic device that form no part of the claimed design.

The dot-dash broken lines represent a boundary line that forms no part of the claimed design.

The dot-dot-dash broken lines encircle portions of the claimed design that are illustrated in enlargements and form no part of the claimed design.

1 Claim, 11 Drawing Sheets

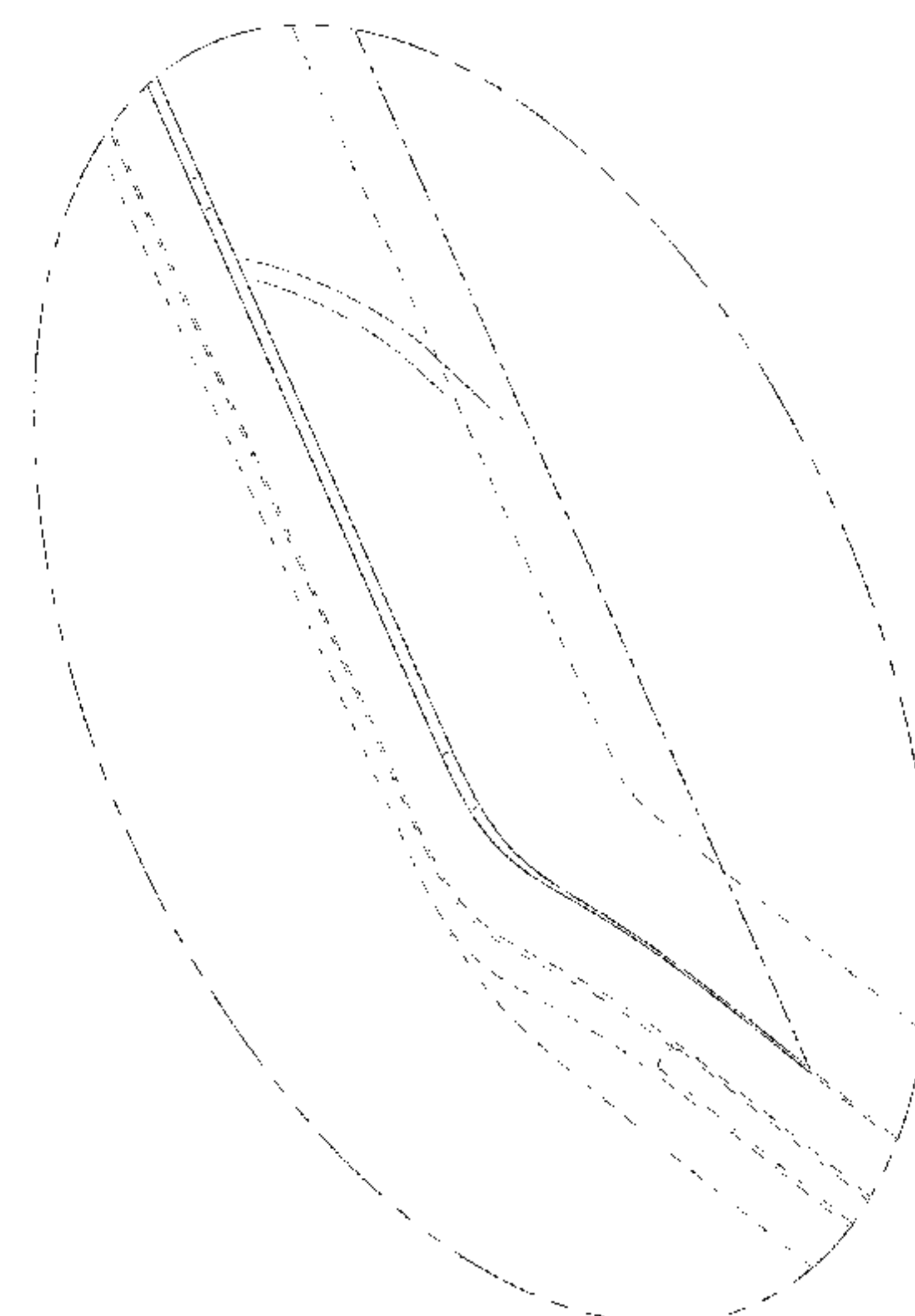


FIG. 1

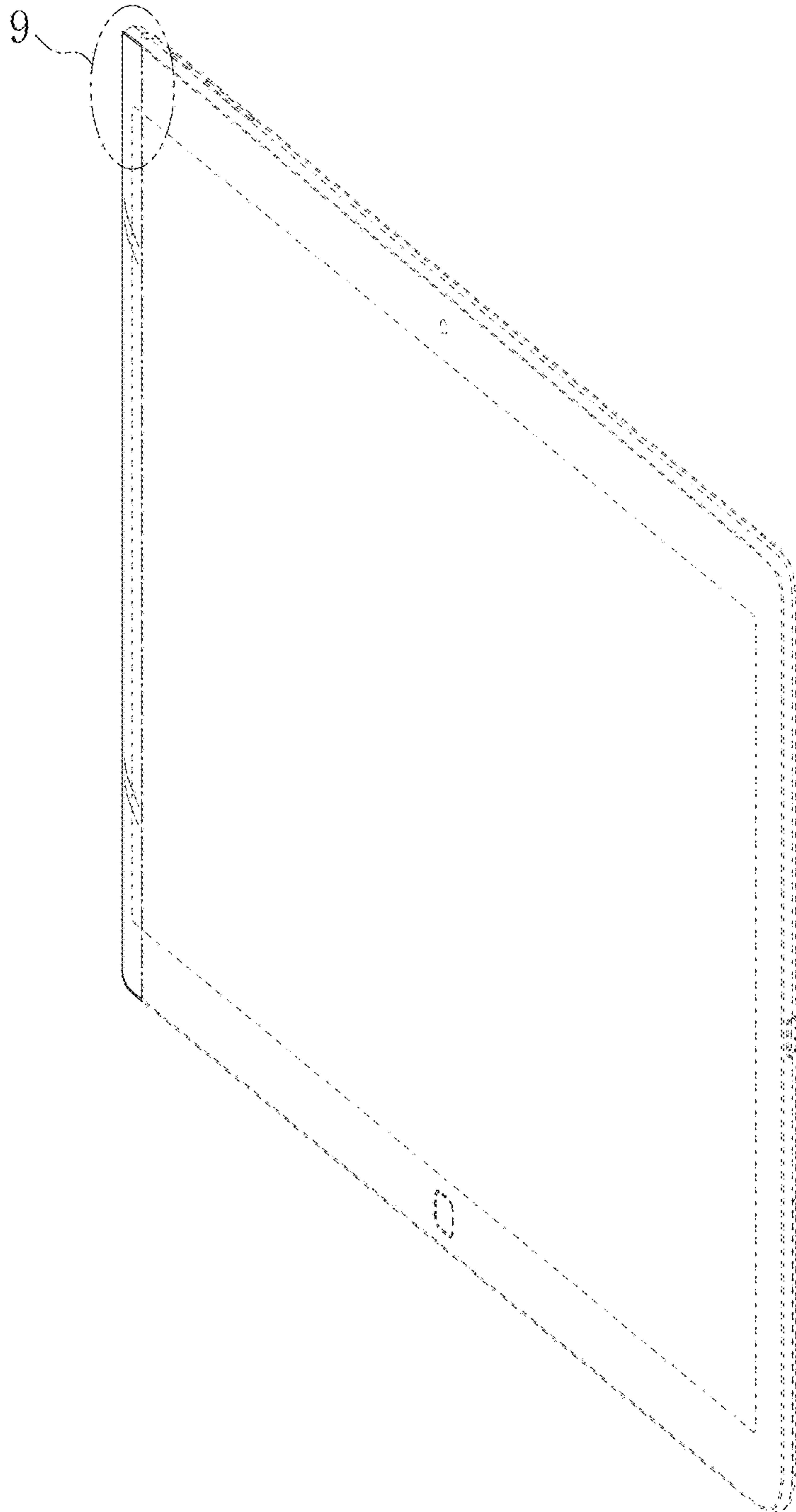


FIG. 2

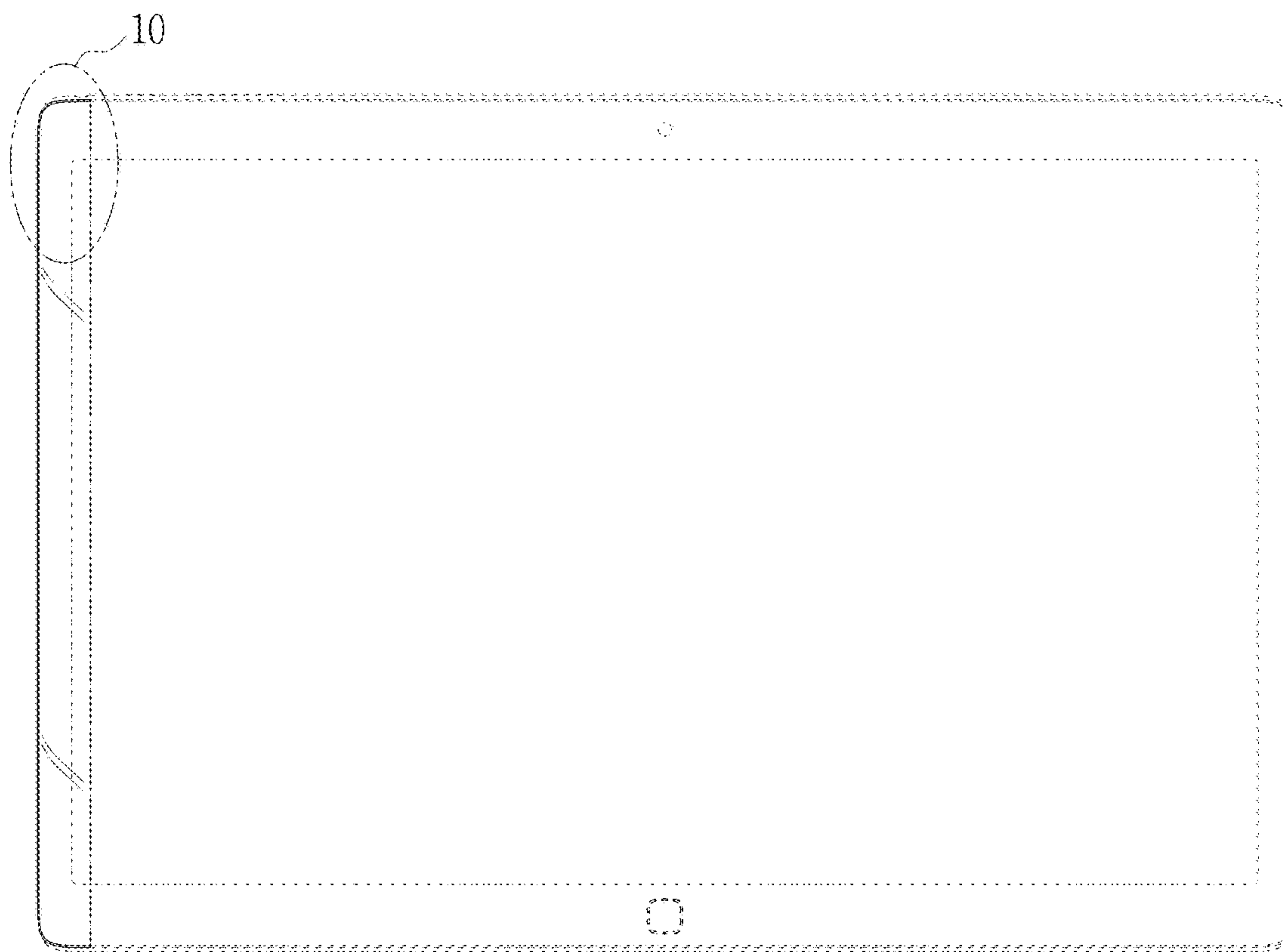


FIG. 3

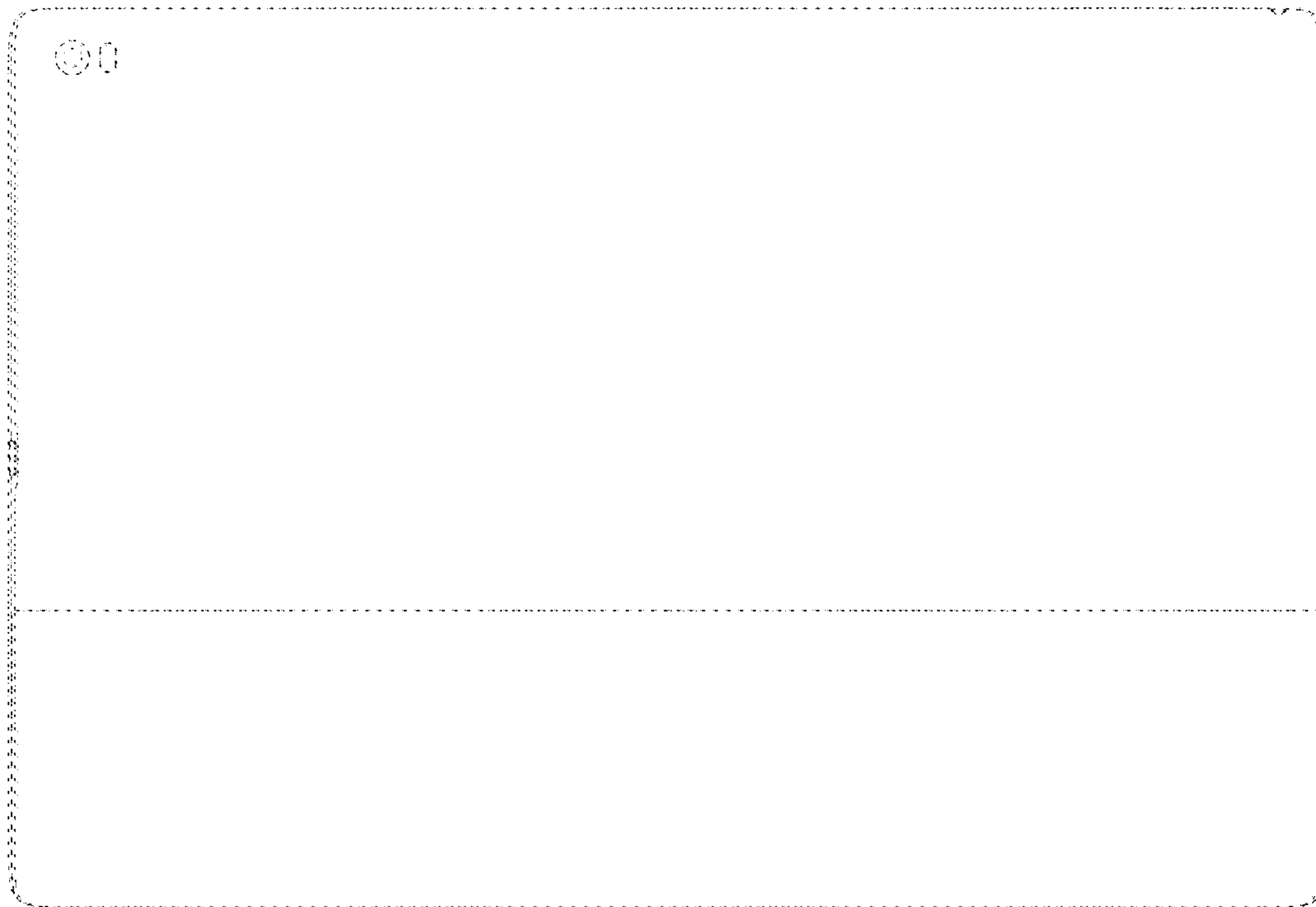


FIG. 4

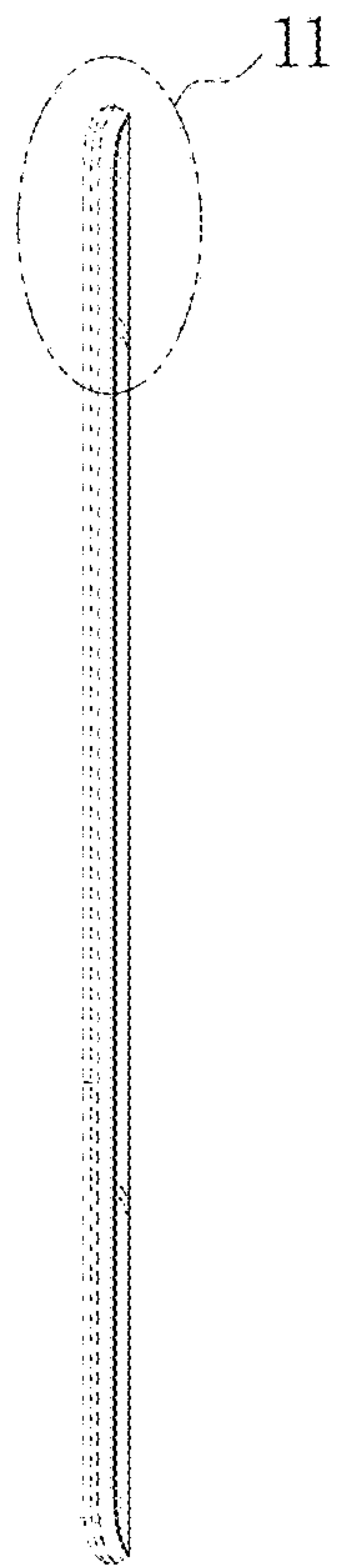


FIG. 5

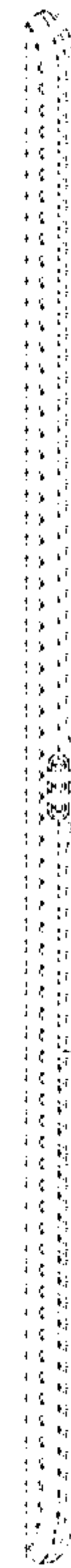


FIG. 6

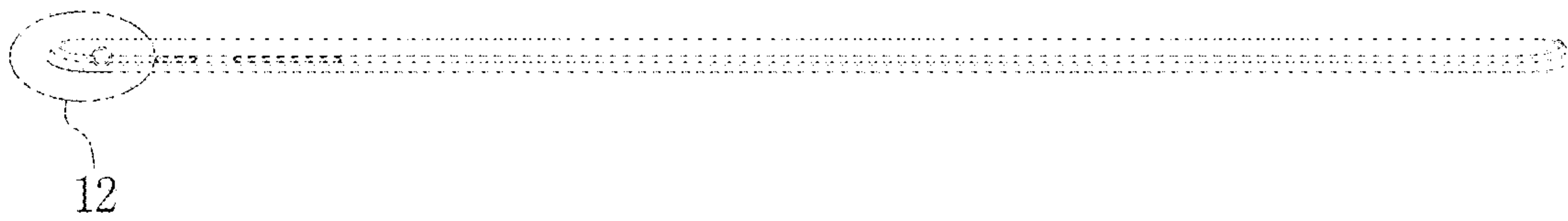


FIG. 7

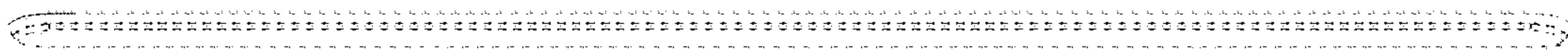


FIG. 8

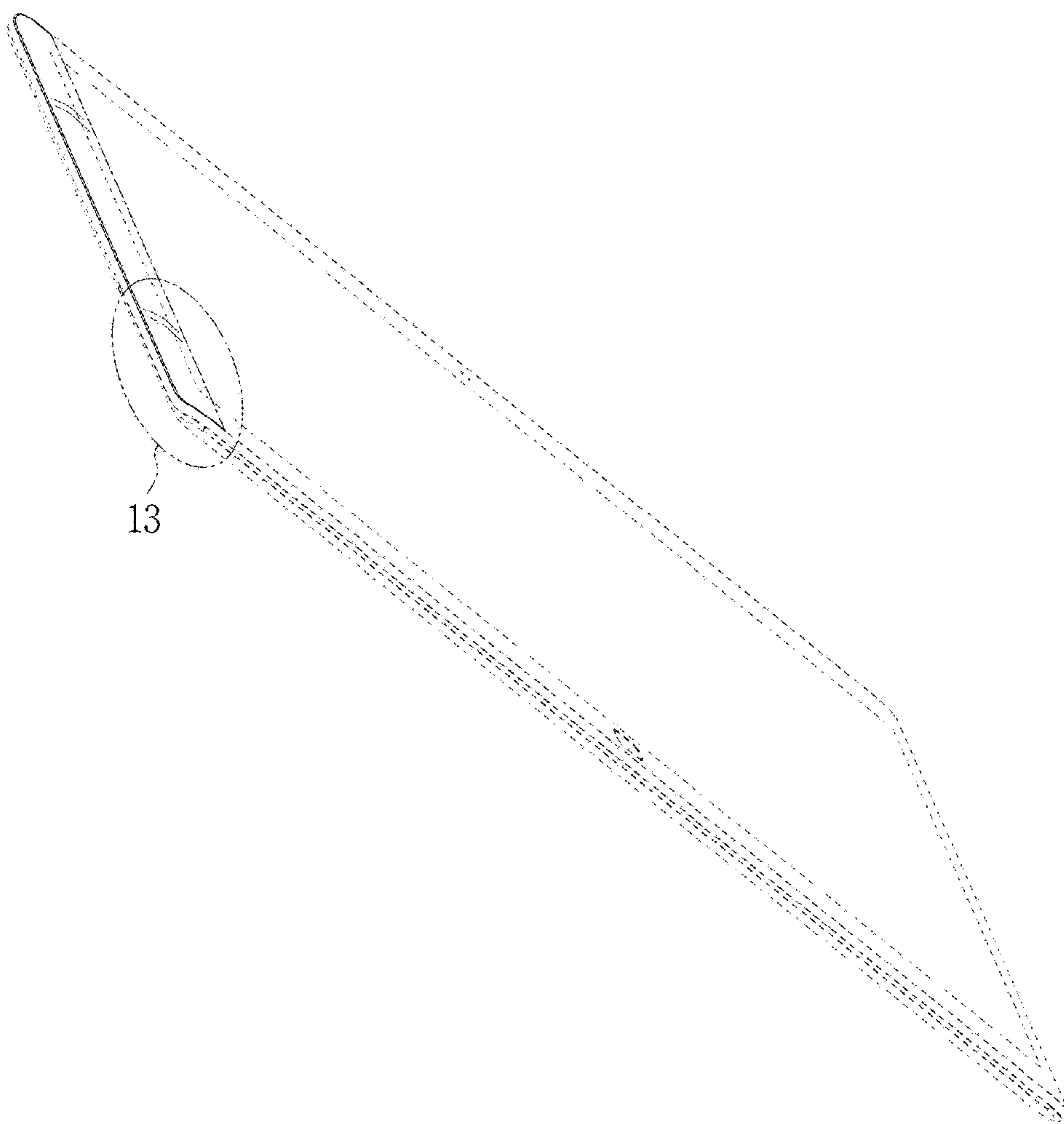


FIG. 9

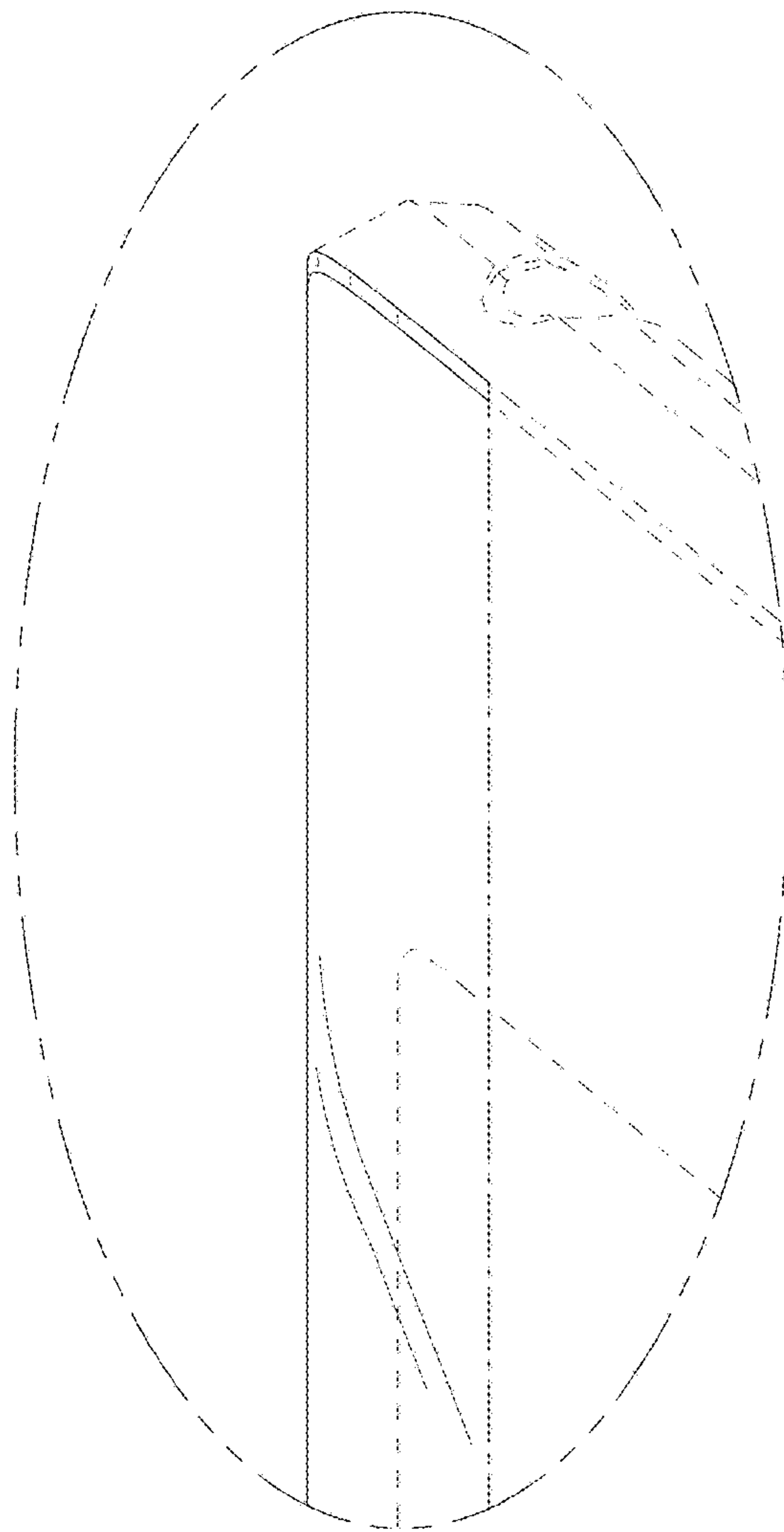


FIG. 10

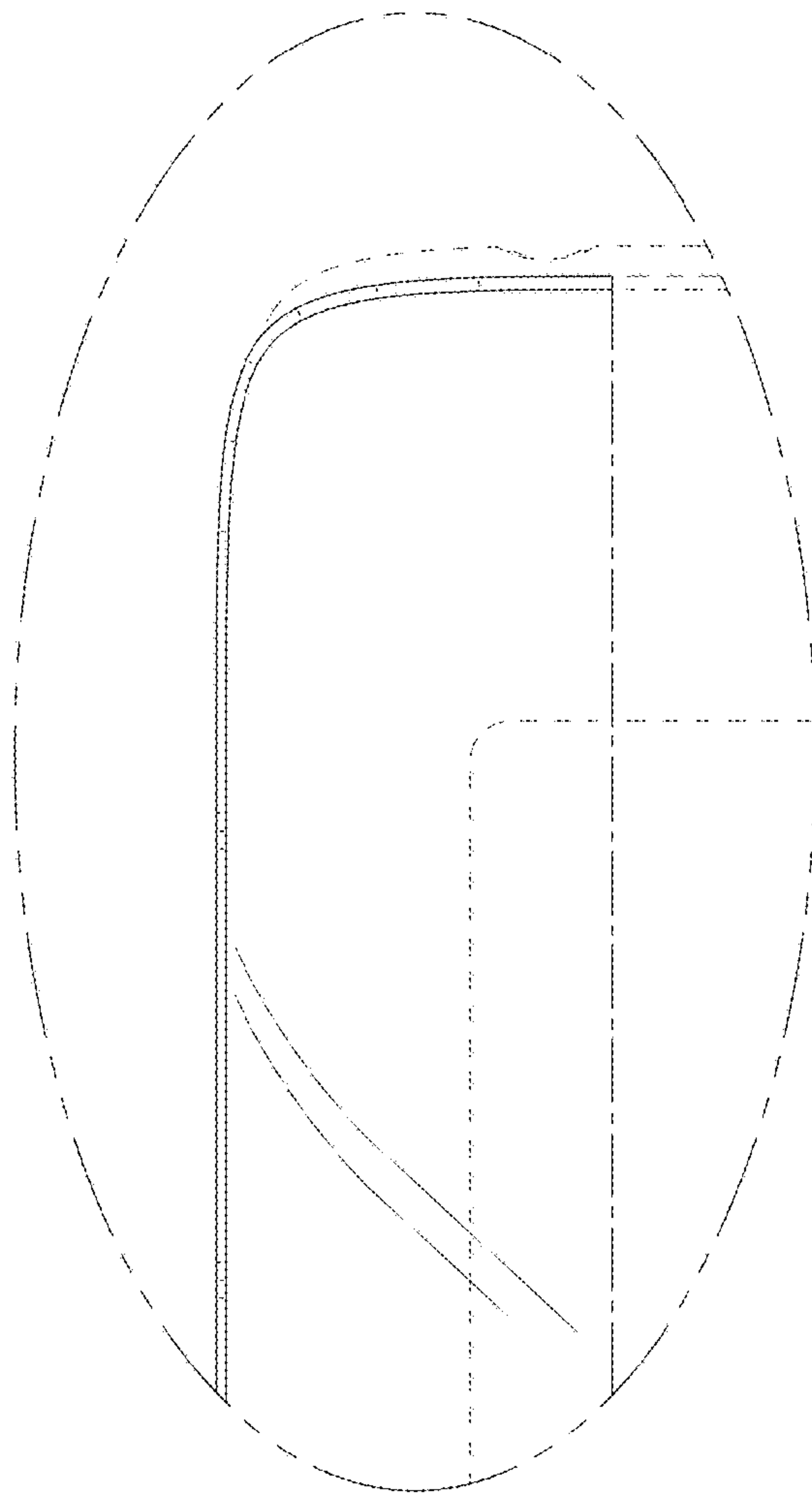


FIG. 11

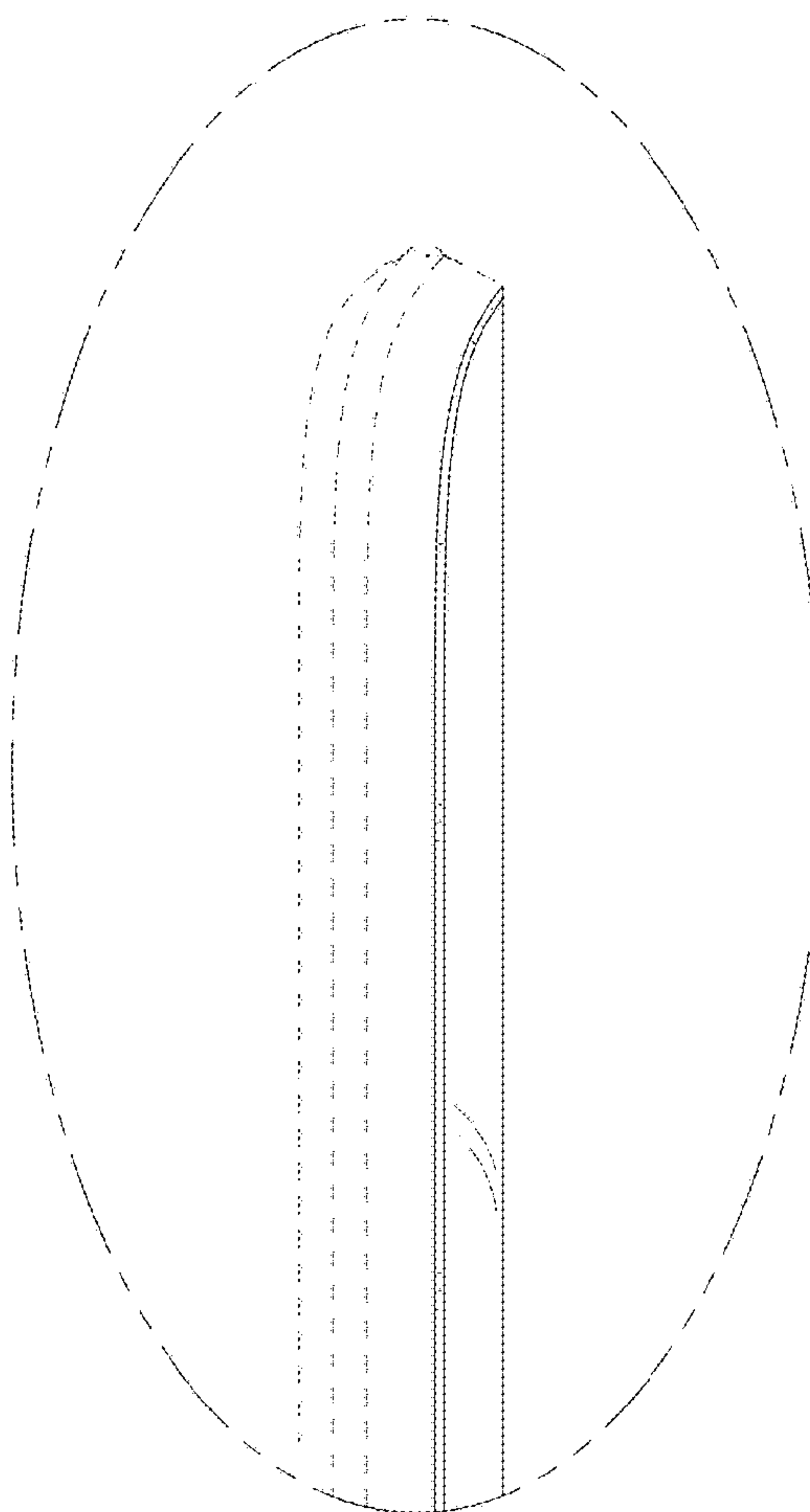


FIG. 12

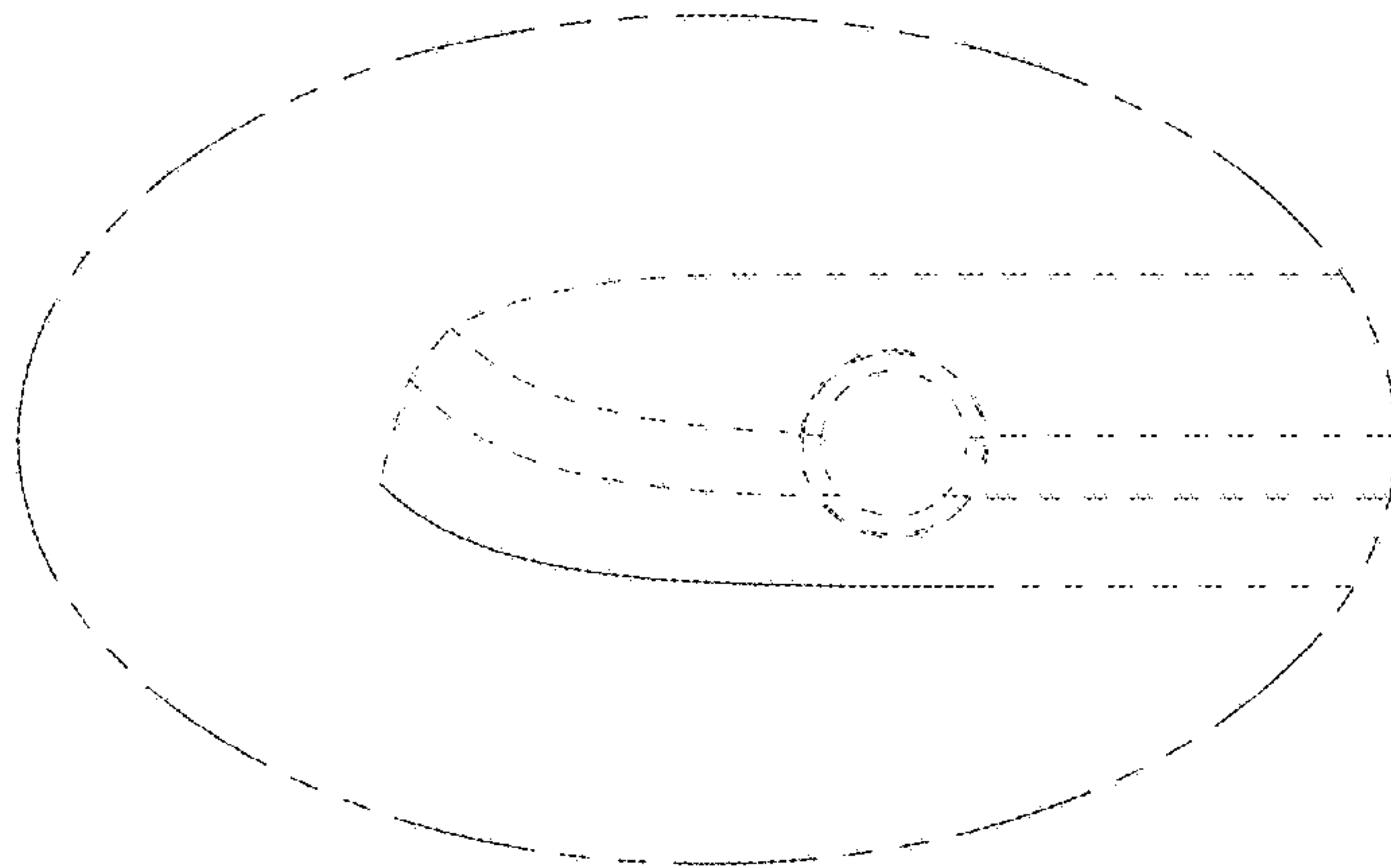


FIG. 13

