



US00D805511S

(12) **United States Design Patent**
Sun et al.

(10) **Patent No.:** **US D805,511 S**

(45) **Date of Patent:** **** Dec. 19, 2017**

(54) **DISPLAY DEVICE AND STAND**

(71) Applicants: **HONGFUJIN PRECISION ELECTRONICS(CHONGQING)CO. LTD**, Chongqing (CN); **HON HAI PRECISION INDUSTRY CO., LTD.**, New Taipei (TW)

(72) Inventors: **Ya-Dan Sun**, Shenzhen (CN); **Ye Peng**, Shenzhen (CN); **Chih-Kang Cho**, New Taipei (TW)

(73) Assignees: **HONGFUJIN PRECISION ELECTRONICS (CHONGQING) CO., LTD.**, Chongqing (CN); **HON HAI PRECISION INDUSTRY CO., LTD.**, New Taipei (TW)

(**) Term: **15 Years**

(21) Appl. No.: **29/585,908**

(22) Filed: **Nov. 30, 2016**

(30) **Foreign Application Priority Data**

Oct. 31, 2016 (CN) 2016 3 0520690

(51) **LOC (10) Cl.** **14-02**

(52) **U.S. Cl.**
USPC **D14/336**

(58) **Field of Classification Search**
USPC D14/336, 341, 371, 373, 374, 375, 376, D14/377, 126, 127, 128, 129
CPC G06F 1/1601; G06F 1/1605; G06F 1/162
See application file for complete search history.

(56) **References Cited**

U.S. PATENT DOCUMENTS

D478,088 S * 8/2003 Hamouz D14/451
D523,855 S * 6/2006 Zhang D14/375
D591,287 S * 4/2009 Hwang D14/337
D614,185 S * 4/2010 Chien D14/374
D619,135 S * 7/2010 Lin D14/374

D624,512 S * 9/2010 Kim D14/126
D641,329 S * 7/2011 Zhang D14/126
D712,365 S * 9/2014 Yu D14/126
D721,666 S * 1/2015 Son D14/126
D747,717 S * 1/2016 Kim D14/336
D780,706 S * 3/2017 Kim D14/126
D781,283 S * 3/2017 Son D14/336
D786,868 S * 5/2017 Kim D14/374

FOREIGN PATENT DOCUMENTS

CN 303912272 * 11/2016
CN 304018816 * 1/2017

OTHER PUBLICATIONS

Amazon. <URL: https://www.amazon.com/HP-34-b010-34-inch-Computer-i7-7700T/dp/B01NCOOFGO/ref=sr_1_23?s=pc&ie=UTF8&qid=1500639192&sr=1-23&keywords=all+in+one+computer.> HP curved screen all-in-one computer. Jan. 3, 2017.*

* cited by examiner

Primary Examiner — Bridget L. Eland

Assistant Examiner — Lauren McVey

(74) *Attorney, Agent, or Firm* — ScienBiziP, P.C.

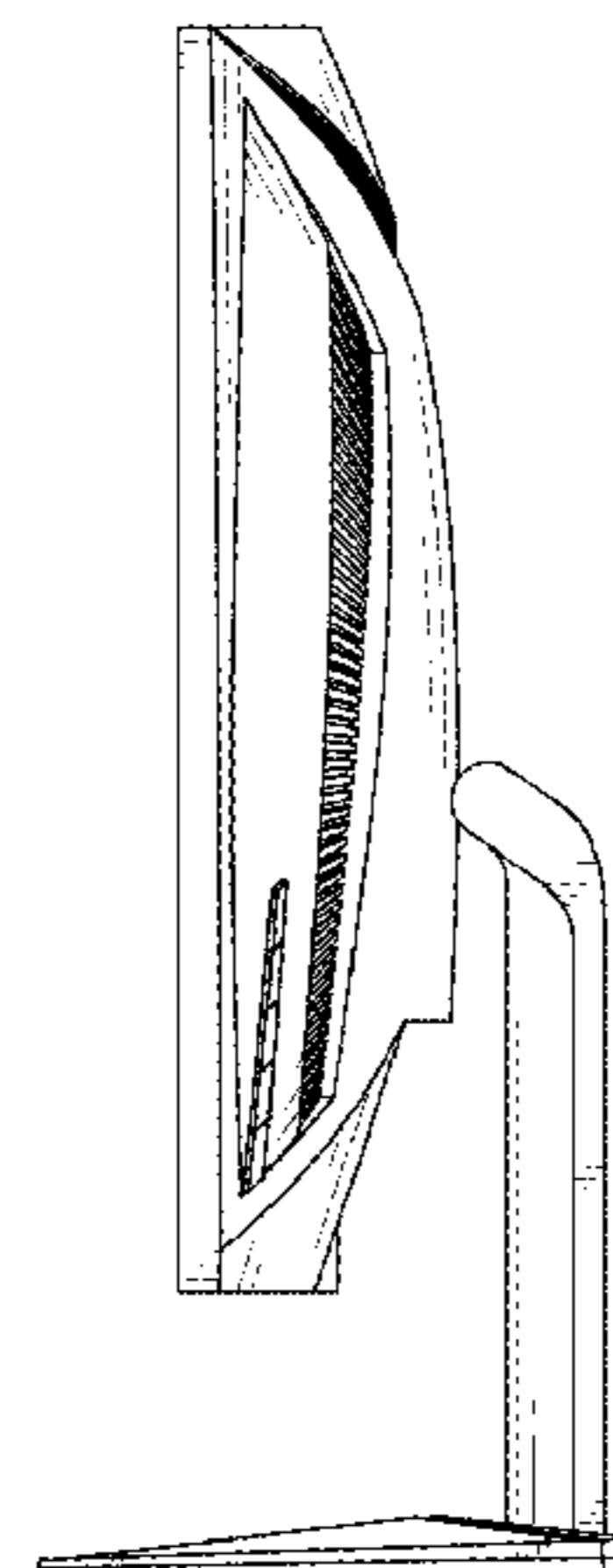
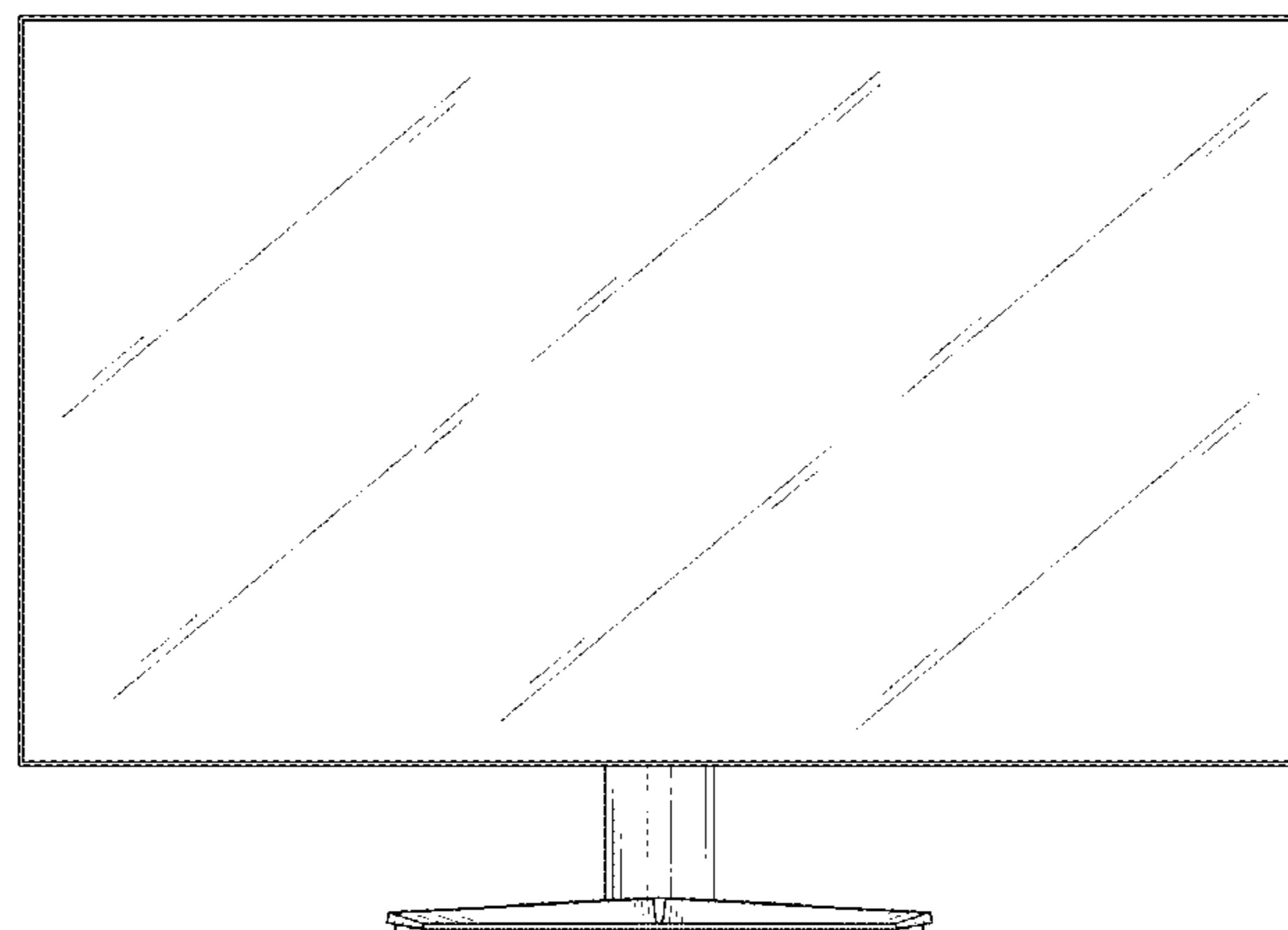
(57) **CLAIM**

The ornamental design for a display device and stand, as shown and described.

DESCRIPTION

FIG. 1 is a first perspective view of a display device and stand, showing our new design;
FIG. 2 is a second perspective view thereof;
FIG. 3 is a front elevational view thereof;
FIG. 4 is a rear elevational view thereof;
FIG. 5 is a left side elevational view thereof;
FIG. 6 is a right side elevational view thereof;
FIG. 7 is a top plan view thereof; and,
FIG. 8 is a bottom plan view thereof.

1 Claim, 8 Drawing Sheets



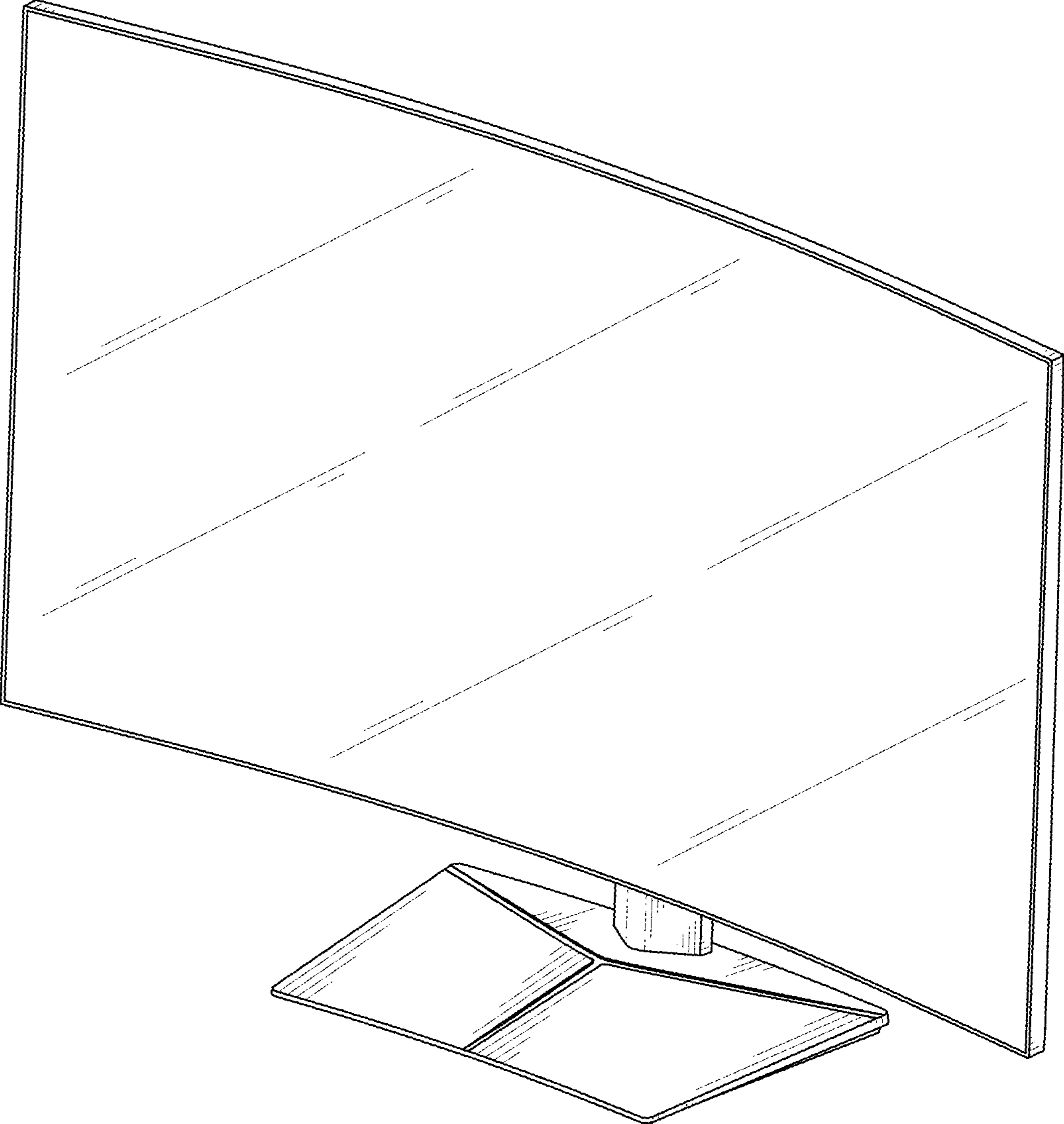


FIG. 1

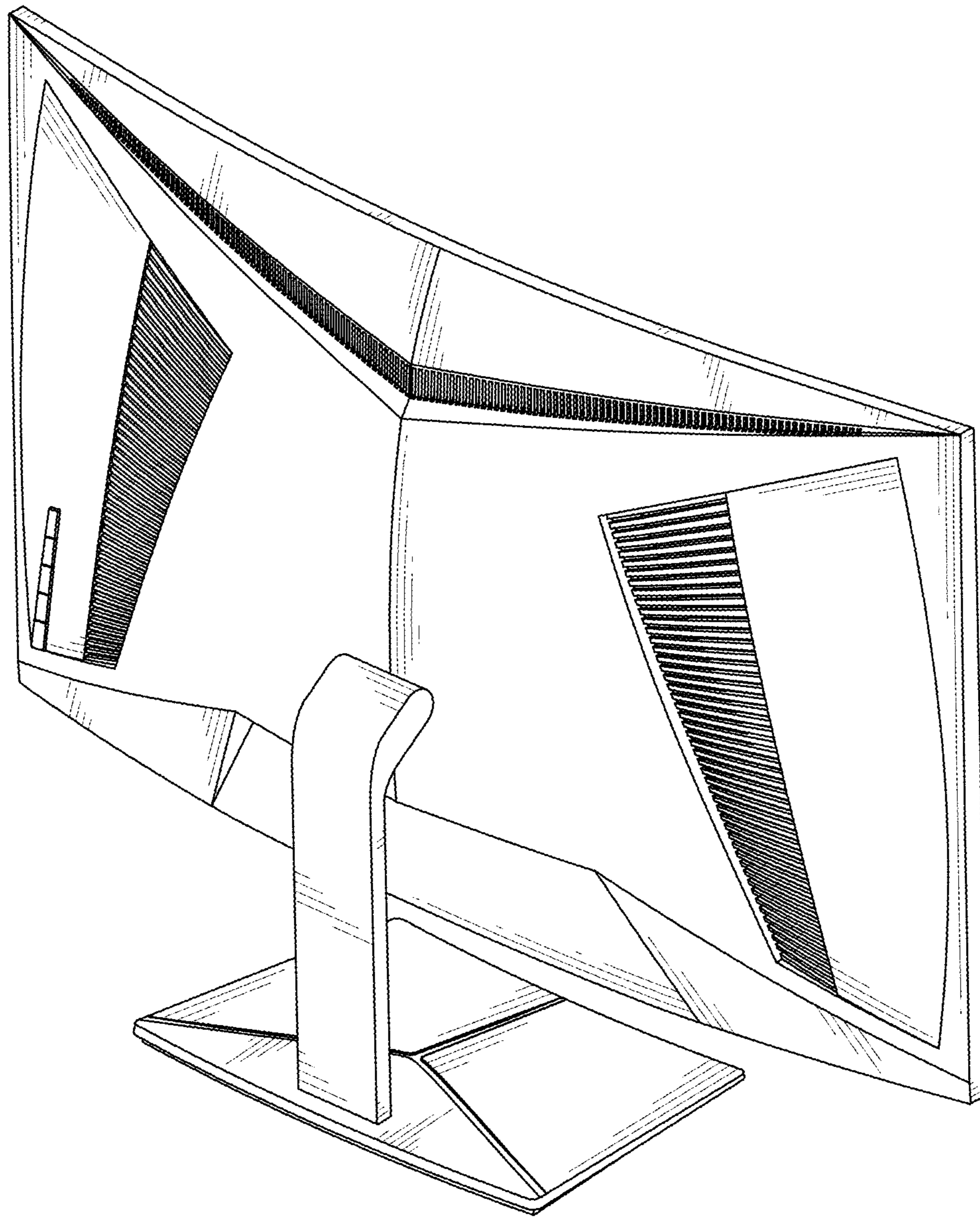


FIG. 2

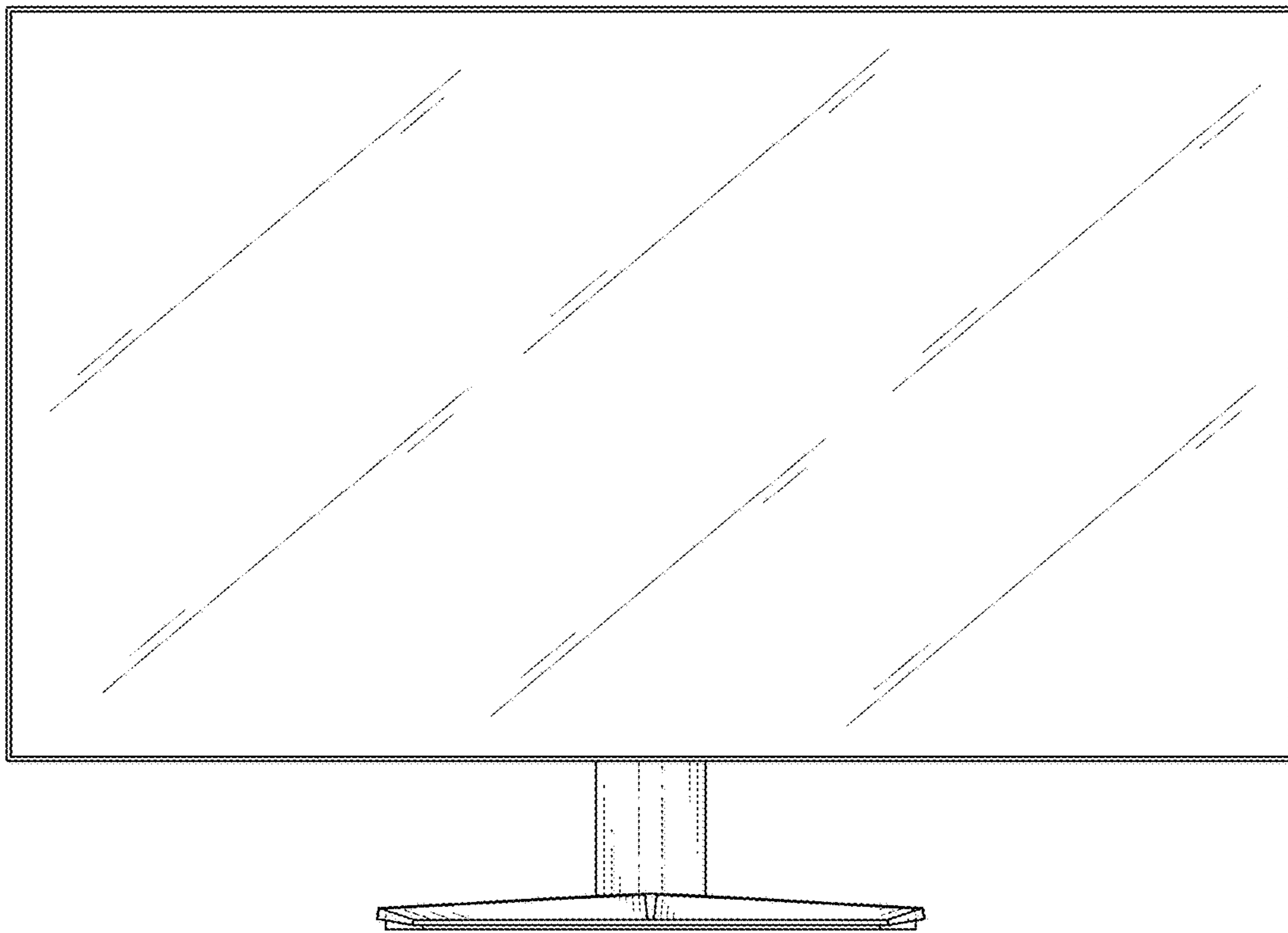


FIG. 3

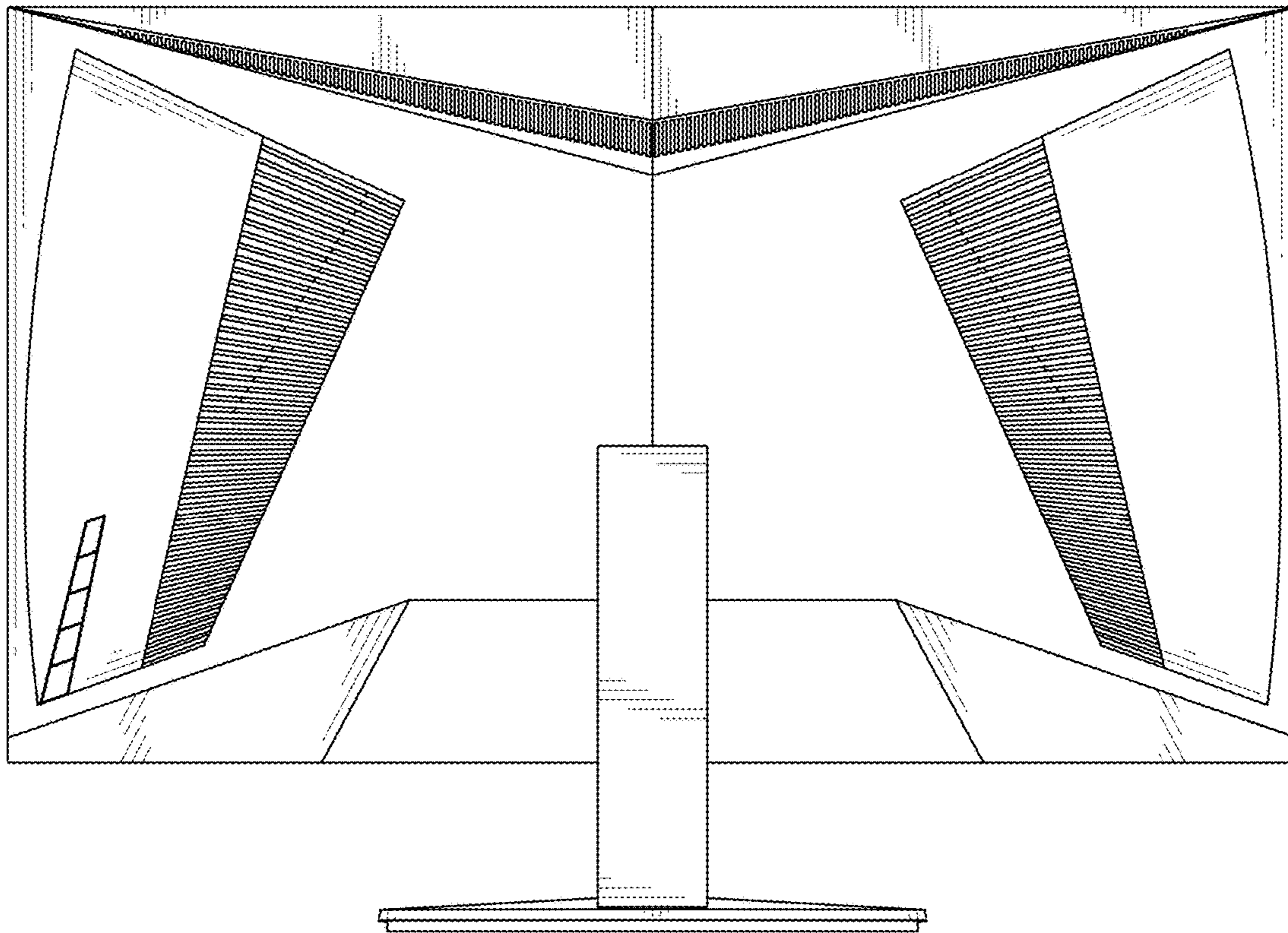


FIG. 4

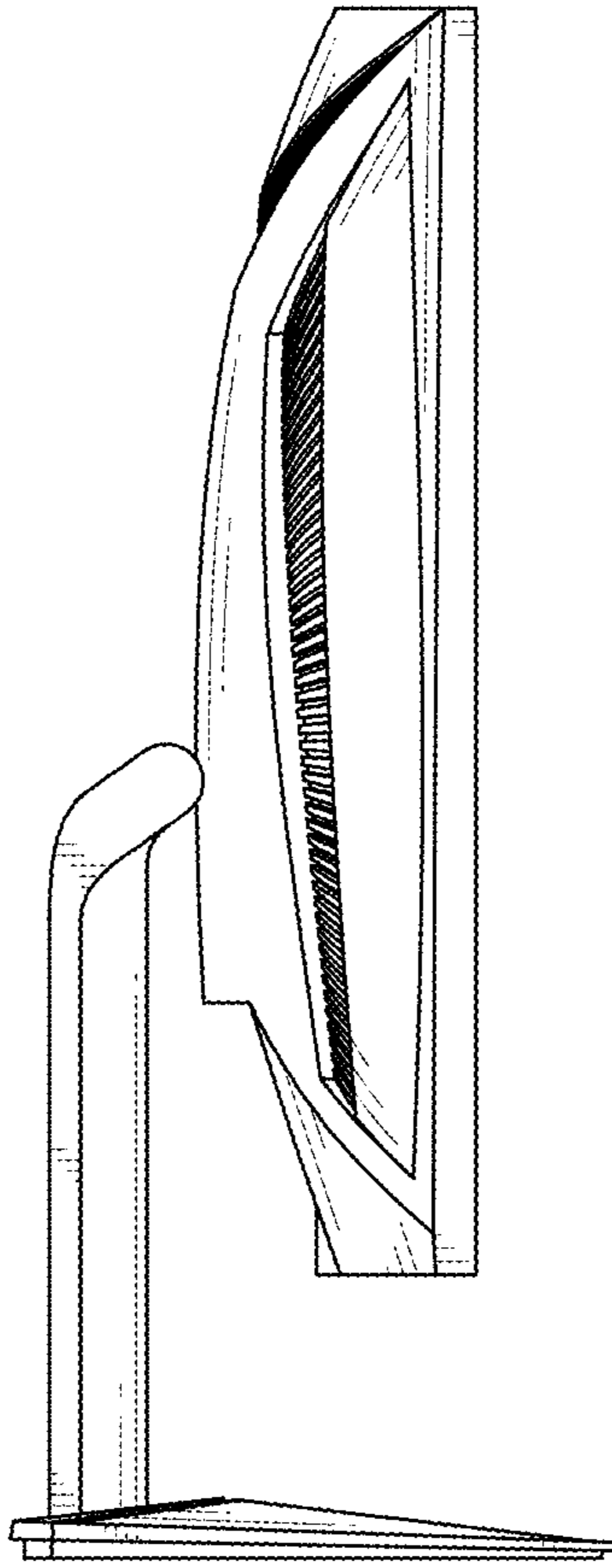


FIG. 5

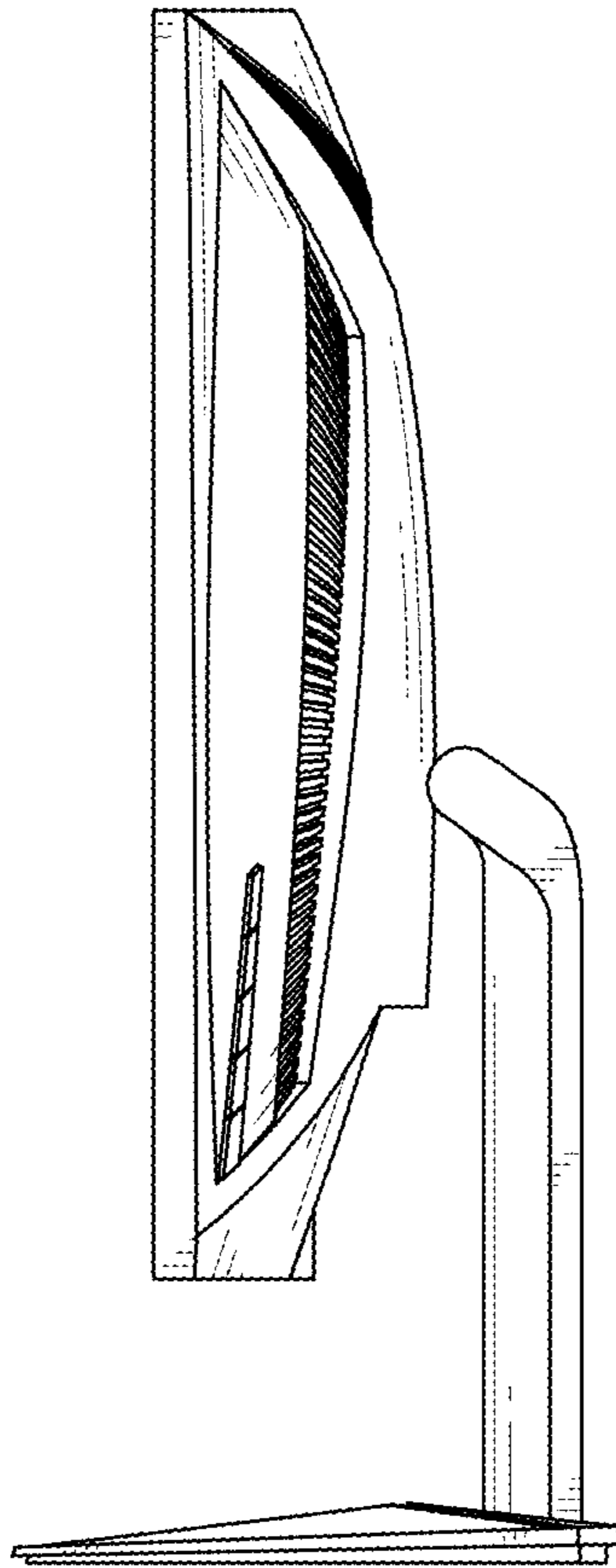


FIG. 6

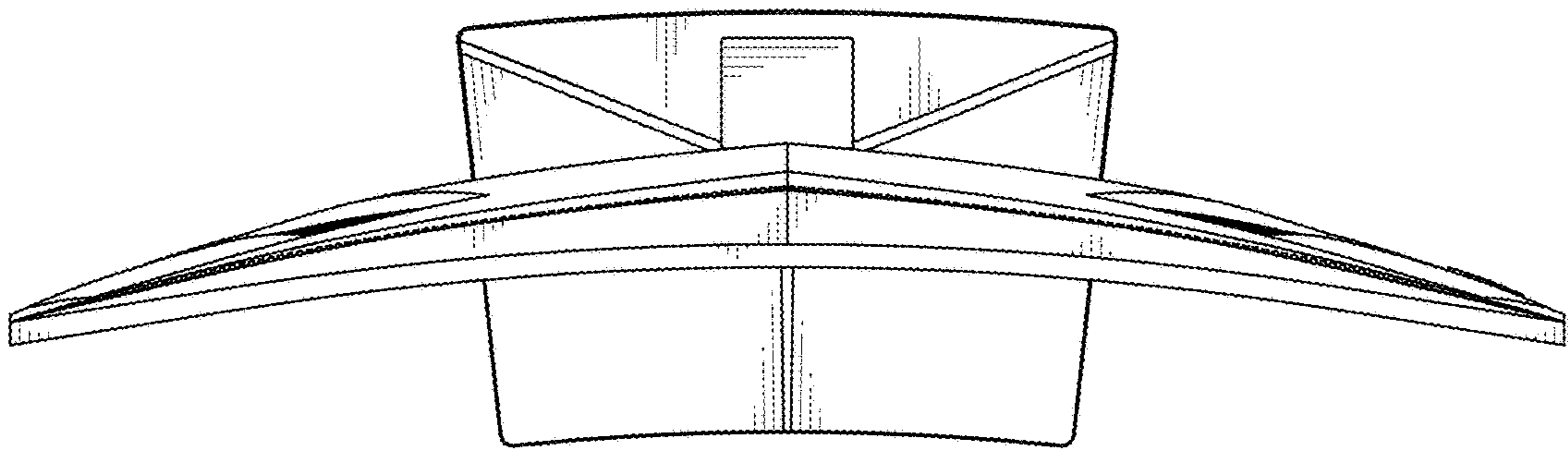


FIG. 7

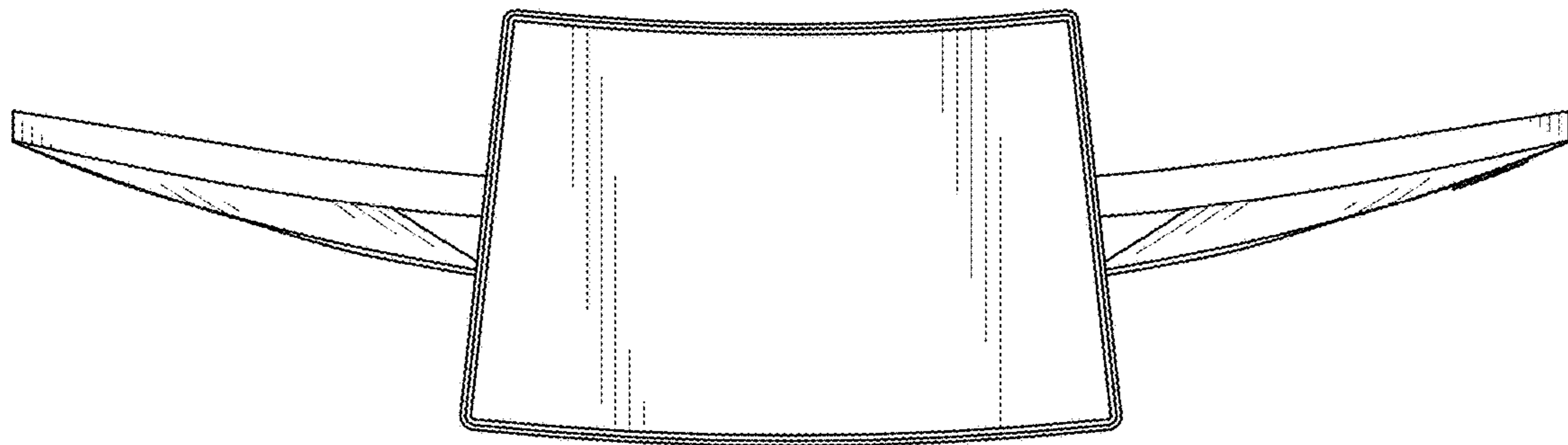


FIG. 8