



US00D805497S

(12) **United States Design Patent**  
**Huang et al.**

(10) **Patent No.:** **US D805,497 S**  
(45) **Date of Patent:** **\*\* Dec. 19, 2017**

(54) **PORTABLE PLAYER**  
(71) Applicant: **HON HAI PRECISION INDUSTRY CO., LTD.,** New Taipei (TW)  
(72) Inventors: **Wei-Wen Huang,** Shenzhen (CN); **Yong Yang,** Shenzhen (CN); **Zhi-Yu Wu,** Shenzhen (CN); **Chun-Qiu Liu,** Shenzhen (CN); **Te Li,** Shenzhen (CN); **Er-Fei Peng,** Shenzhen (CN)  
(73) Assignee: **HON HAI PRECISION INDUSTRY CO., LTD.,** New Taipei (TW)

6,977,675 B2 \* 12/2005 Kotzin ..... G06F 1/1626  
345/156  
D534,921 S \* 1/2007 Andre ..... D14/203.3  
D559,268 S \* 1/2008 Yu ..... D14/496  
D629,789 S \* 12/2010 Andre ..... D14/203.3  
D691,636 S \* 10/2013 Bunton ..... D14/496  
8,830,077 B2 \* 9/2014 Uemura ..... G01C 19/00  
340/670  
8,914,819 B2 \* 12/2014 Mears ..... G11B 27/322  
725/12  
D747,288 S \* 1/2016 Han ..... D14/203.3

(\*\*) Term: **15 Years**

\* cited by examiner

*Primary Examiner* — Prabhakar Deshmukh

(74) *Attorney, Agent, or Firm* — ScienBiziP, P.C.

(21) Appl. No.: **29/582,517**

(57) **CLAIM**

(22) Filed: **Oct. 28, 2016**

The ornamental design for a portable player, as shown and described.

(51) **LOC (10) Cl.** ..... **14-03**

(52) **U.S. Cl.**  
USPC ..... **D14/203.3; D14/203.7; D14/496**

**DESCRIPTION**

(58) **Field of Classification Search**  
USPC ..... D21/324–333; D14/341–346, 356, 432, D14/496, 207.3, 203.7, 507, 399–401; 273/148 B; 463/1, 29–47; 345/156–161, 345/168, 169, 172; 341/22, 23  
CPC .... A63F 9/00; A63F 9/24; A63F 13/00; G06F 17/00; G06F 19/00; G07F 17/32; H01H 9/20

FIG. 1 is a perspective view of a portable player showing our design;  
FIG. 2 is a front view of the portable player of FIG. 1;  
FIG. 3 is a rear view of the portable player of FIG. 1;  
FIG. 4 is a left-side view of the portable player of FIG. 1;  
FIG. 5 is a right-side view of the portable player of FIG. 1;  
FIG. 6 is a top planar view of the portable player of FIG. 1;  
FIG. 7 is a bottom planar view of the portable player of FIG. 1;

See application file for complete search history.

FIG. 8 is an enlarged and partial view of A in FIG. 1; and, FIG. 9 is a cross section view taken through line B-B of FIG. 2.

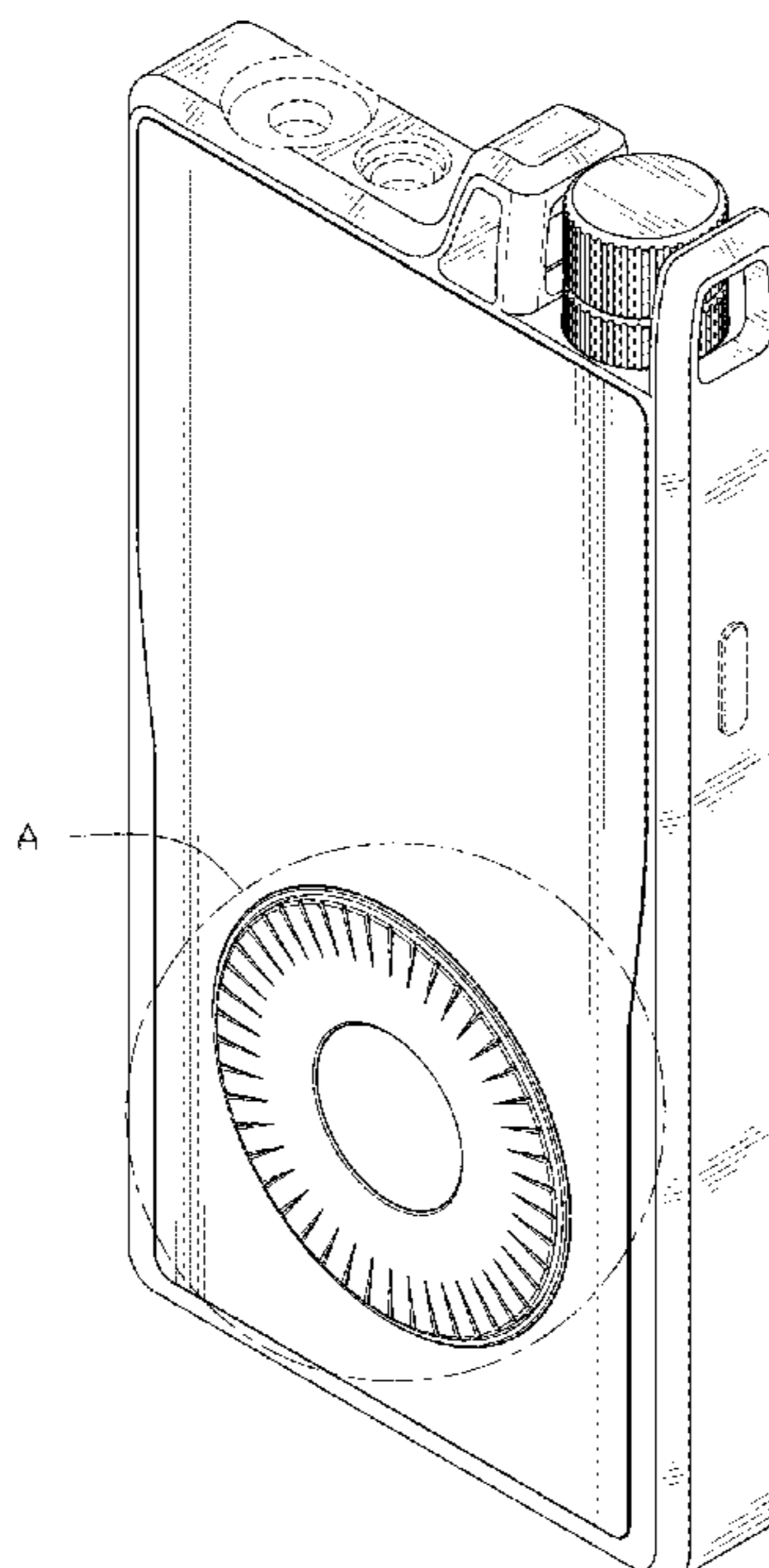
(56) **References Cited**

The broken lines are for illustrative purposes only and form no part of the claimed designs.

**U.S. PATENT DOCUMENTS**

D433,007 S \* 10/2000 Boucard ..... D14/160  
6,556,965 B1 \* 4/2003 Borland ..... G10L 19/02  
704/200.1

**1 Claim, 9 Drawing Sheets**



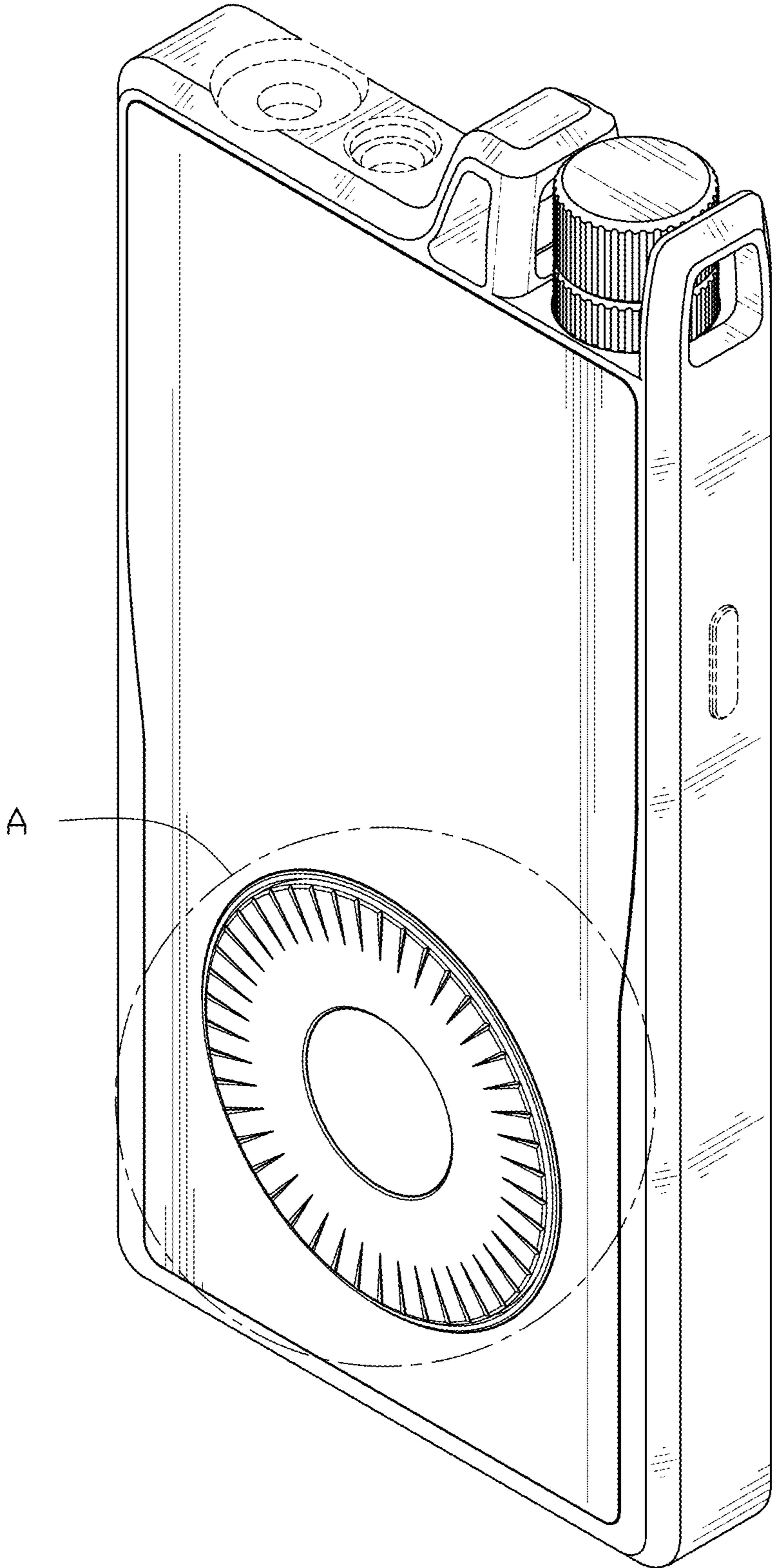


FIG. 1

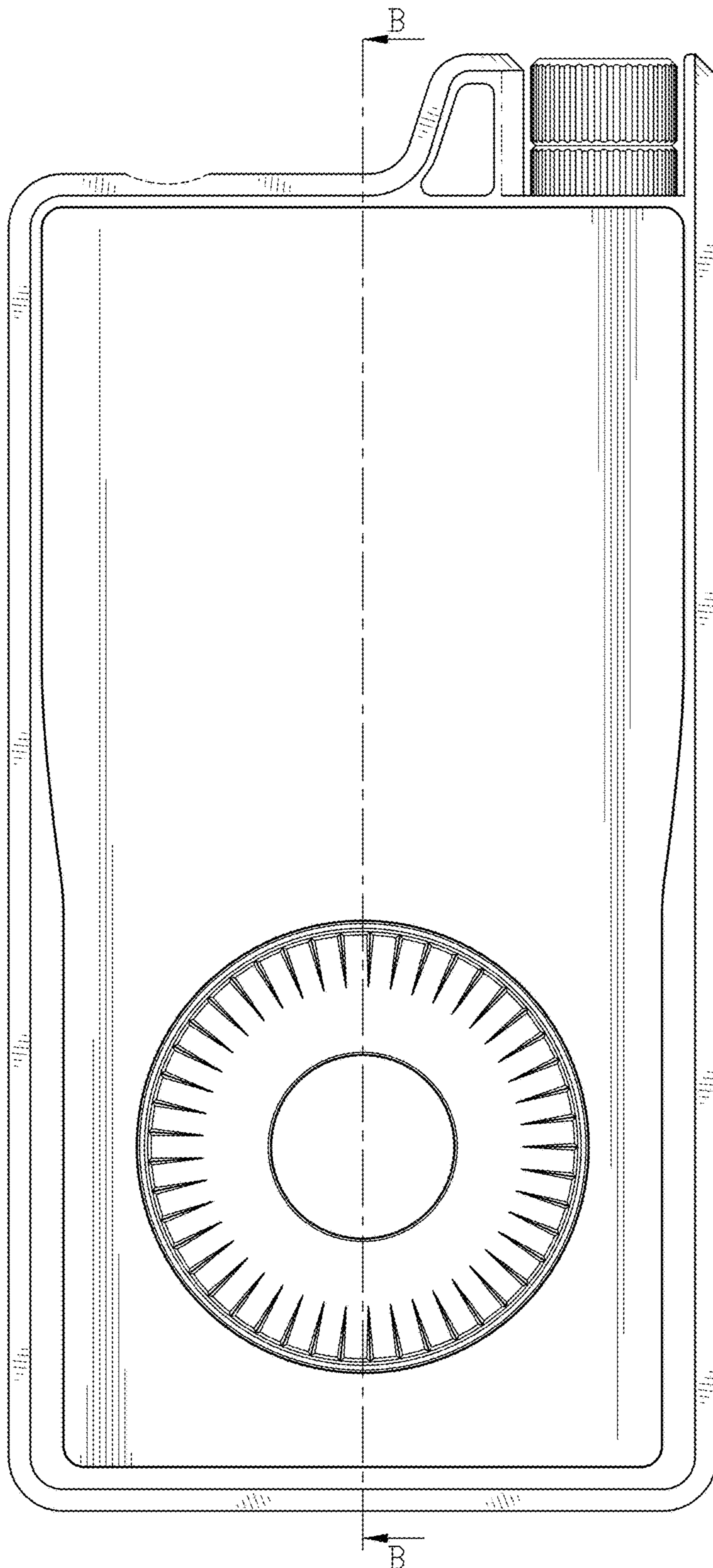


FIG. 2

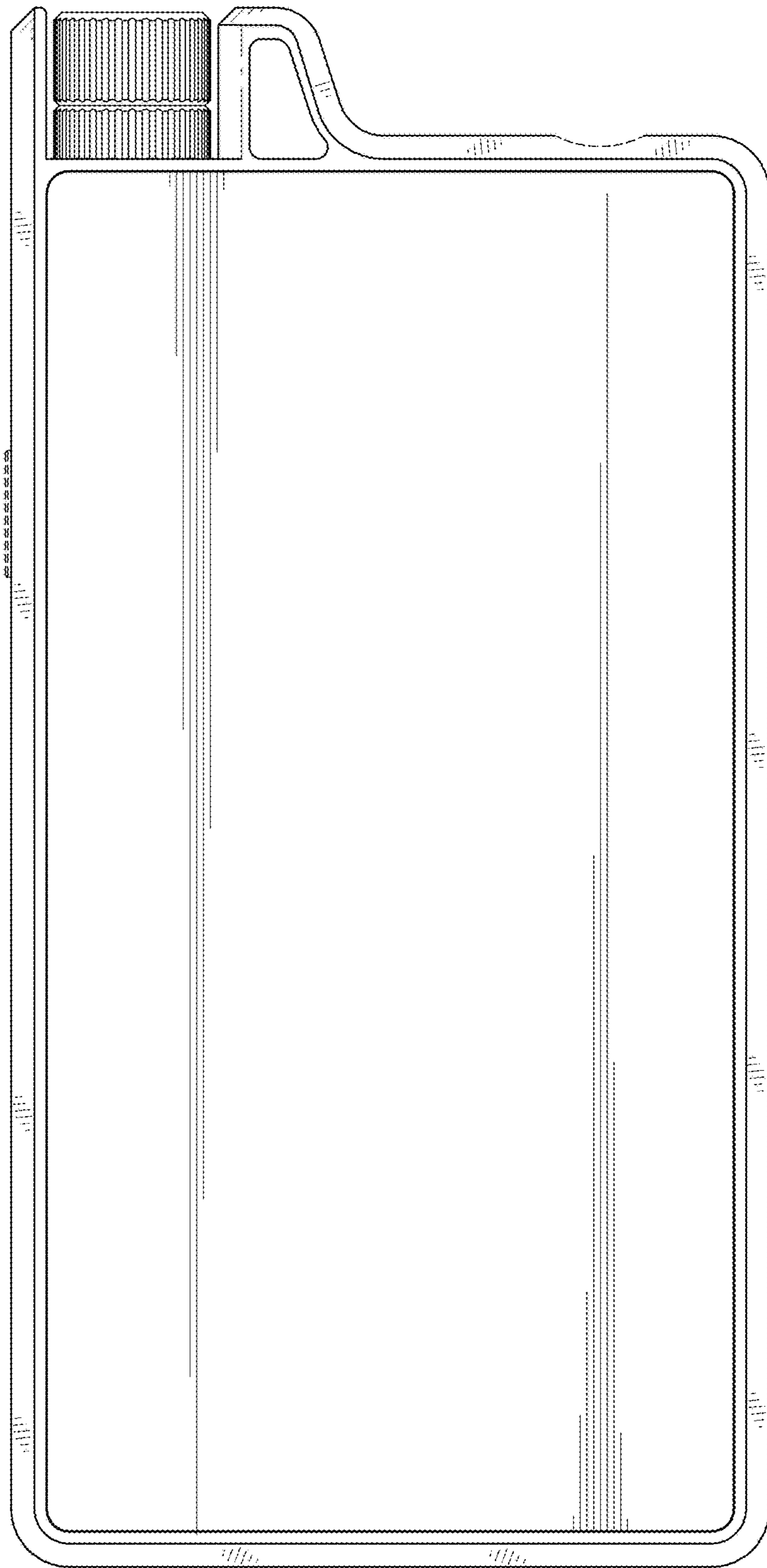


FIG. 3

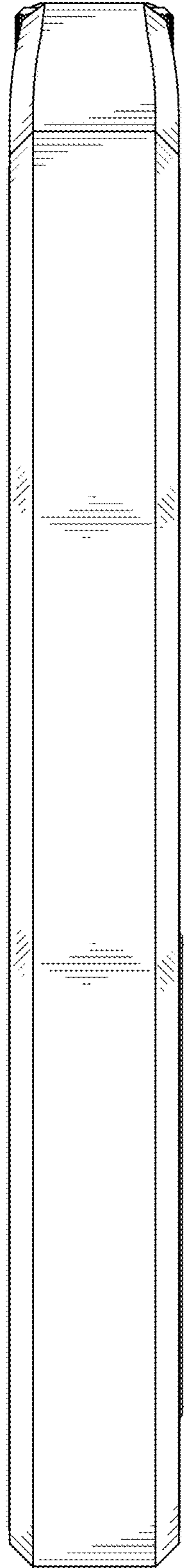


FIG. 4

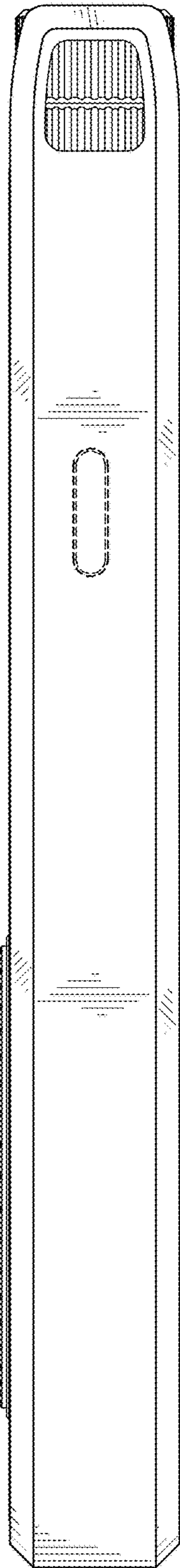


FIG. 5

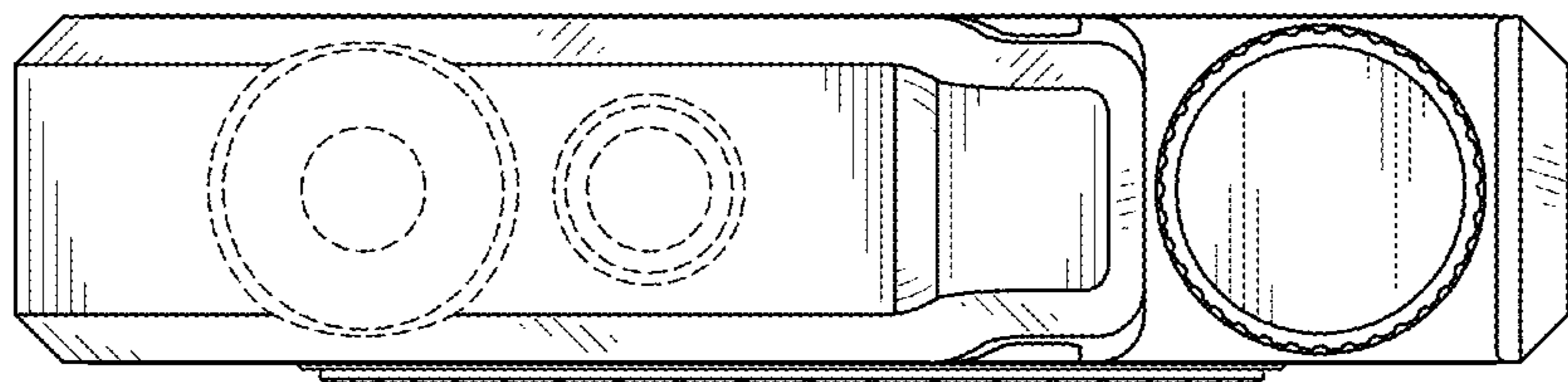


FIG. 6

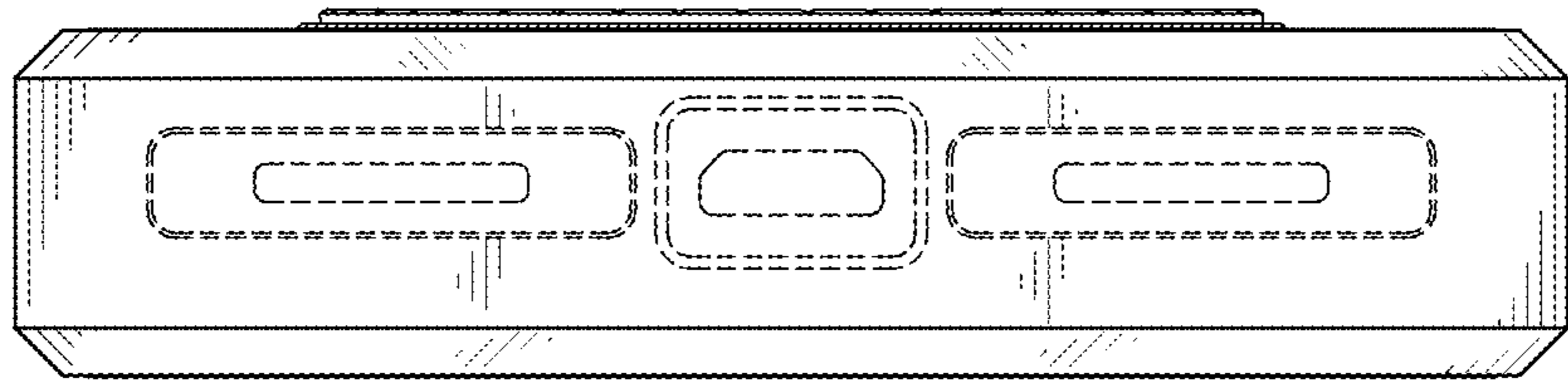


FIG. 7



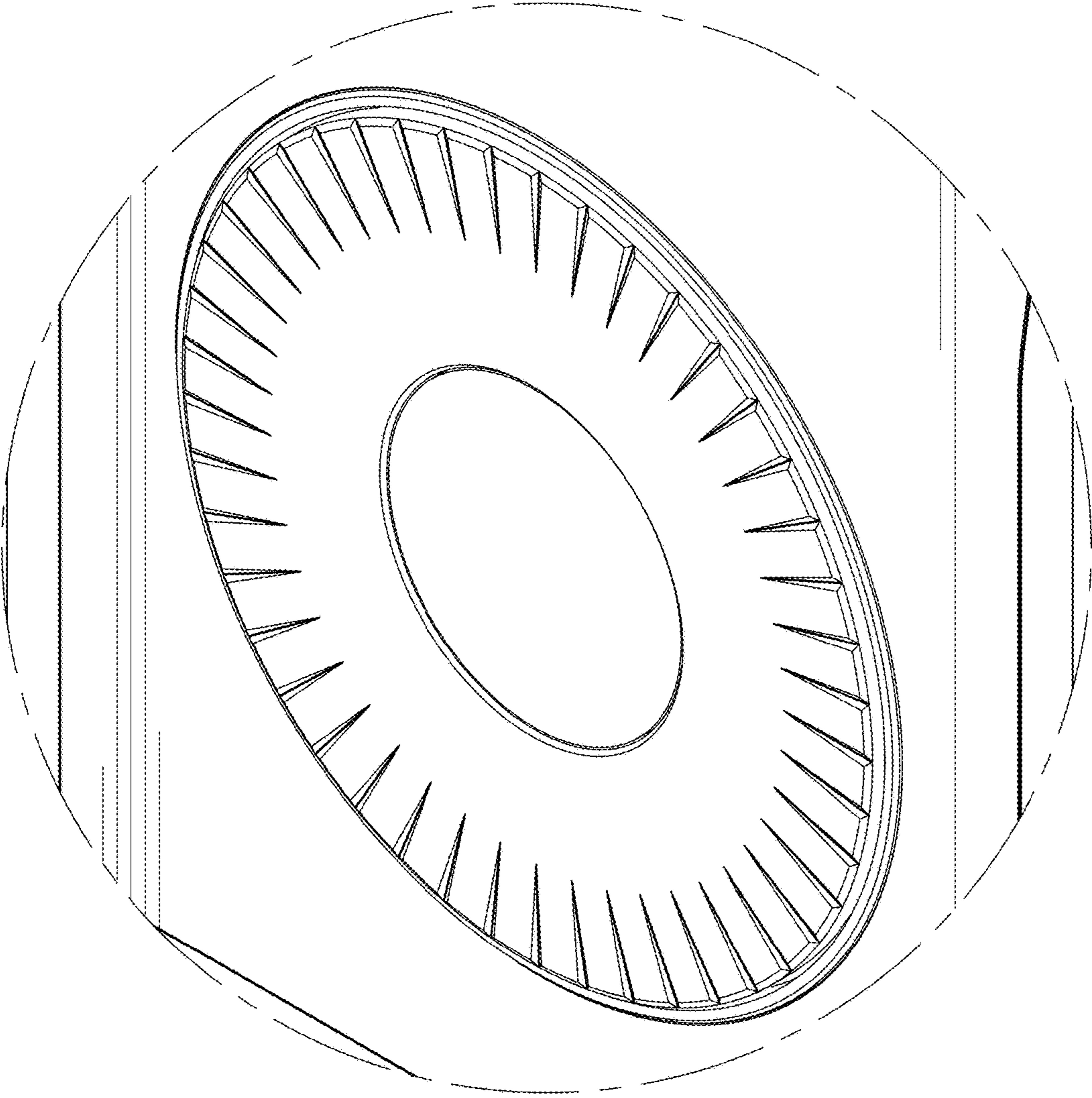


FIG. 8

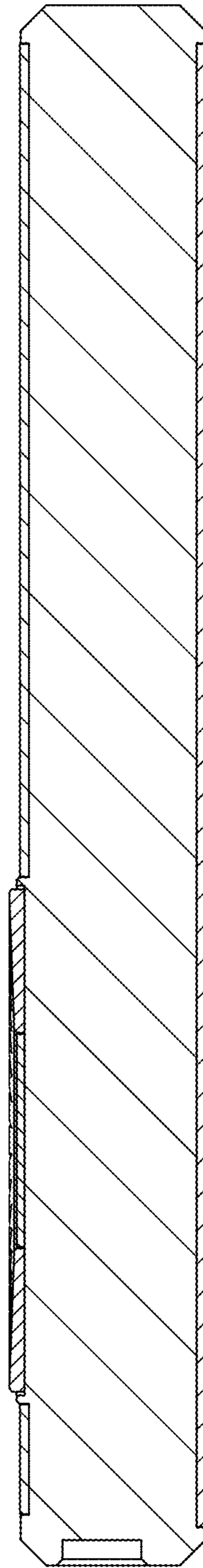


FIG. 9

UNITED STATES PATENT AND TRADEMARK OFFICE  
**CERTIFICATE OF CORRECTION**

PATENT NO. : D805,497 S  
APPLICATION NO. : 29/582517  
DATED : December 19, 2017  
INVENTOR(S) : Wei-Wen Huang et al.

Page 1 of 1

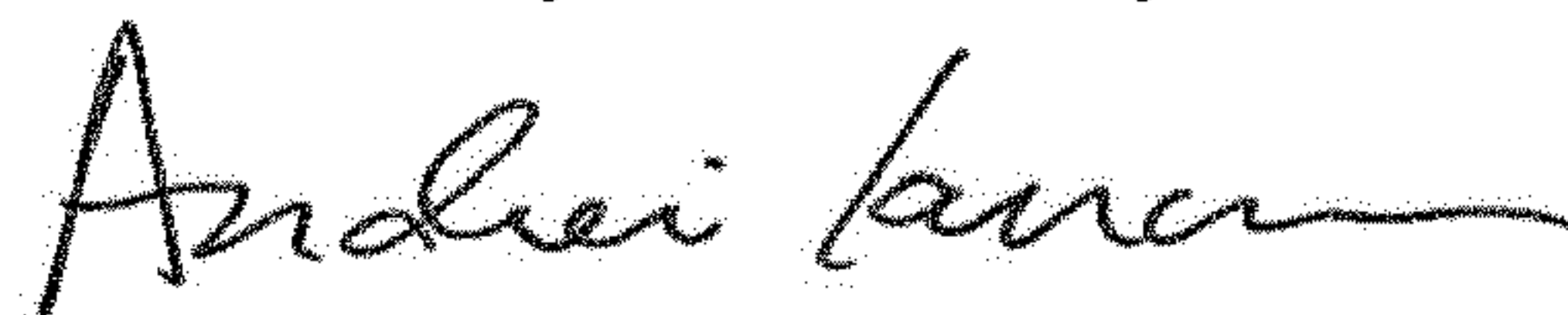
It is certified that error appears in the above-identified patent and that said Letters Patent is hereby corrected as shown below:

On the Title Page

Please add Item (30) regarding "Foreign Application Priority Data" with the following:

(30) Foreign Application Priority Data  
Sep. 23, 2016 (CN).....201630480730.6

Signed and Sealed this  
Fifth Day of February, 2019



Andrei Iancu  
*Director of the United States Patent and Trademark Office*