



US00D805494S

(12) **United States Design Patent**
Richards et al.

(10) **Patent No.:** **US D805,494 S**

(45) **Date of Patent:** **** Dec. 19, 2017**

(54) **COMMUNICATION DEVICE**

(71) Applicant: **MOTOROLA SOLUTIONS, INC.**,
Schaumburg, IL (US)

(72) Inventors: **Scott H. Richards**, Plantation, FL (US);
Michael J. Page, Miami, FL (US); **Sih
Hau Tan**, Bayan Lepas (MY); **Rit Fui
Yong**, Singapore (SG)

(73) Assignee: **MOTOROLA SOLUTIONS, INC.**,
Chicago, IL (US)

(**) Term: **14 Years**

(21) Appl. No.: **29/506,399**

(22) Filed: **Oct. 15, 2014**

(51) **LOC (10) Cl.** **14-03**

(52) **U.S. Cl.**
USPC **D14/137**

(58) **Field of Classification Search**
USPC D14/137-139
CPC .. G06F 1/1613; G06F 3/04883; G06F 3/0486;
A63H 33/3016; H04M 1/0279; H04M
1/0281; H04M 1/0283
See application file for complete search history.

(56) **References Cited**

U.S. PATENT DOCUMENTS

D356,790 S *	3/1995	Davison, Jr.	D14/137
D477,816 S *	7/2003	Yahaya	D14/137
D497,600 S *	10/2004	Richards	D14/137
D605,616 S *	12/2009	Scott	D14/137

D645,009 S *	9/2011	Kaminsky	D14/137
D652,400 S *	1/2012	Oikawa	D14/137
D653,637 S *	2/2012	Ismail	D14/137
D654,035 S *	2/2012	Ismail	D14/137
D685,753 S *	7/2013	Kang	D14/137
D717,258 S *	11/2014	Garra	D14/137
D752,536 S *	3/2016	Ooi	D14/137
D754,089 S *	4/2016	Yong	D14/137
D796,467 S *	9/2017	Oikawa	D14/137

* cited by examiner

Primary Examiner — Michael A Pratt

(74) *Attorney, Agent, or Firm* — Barbara R. Doutre

(57) **CLAIM**

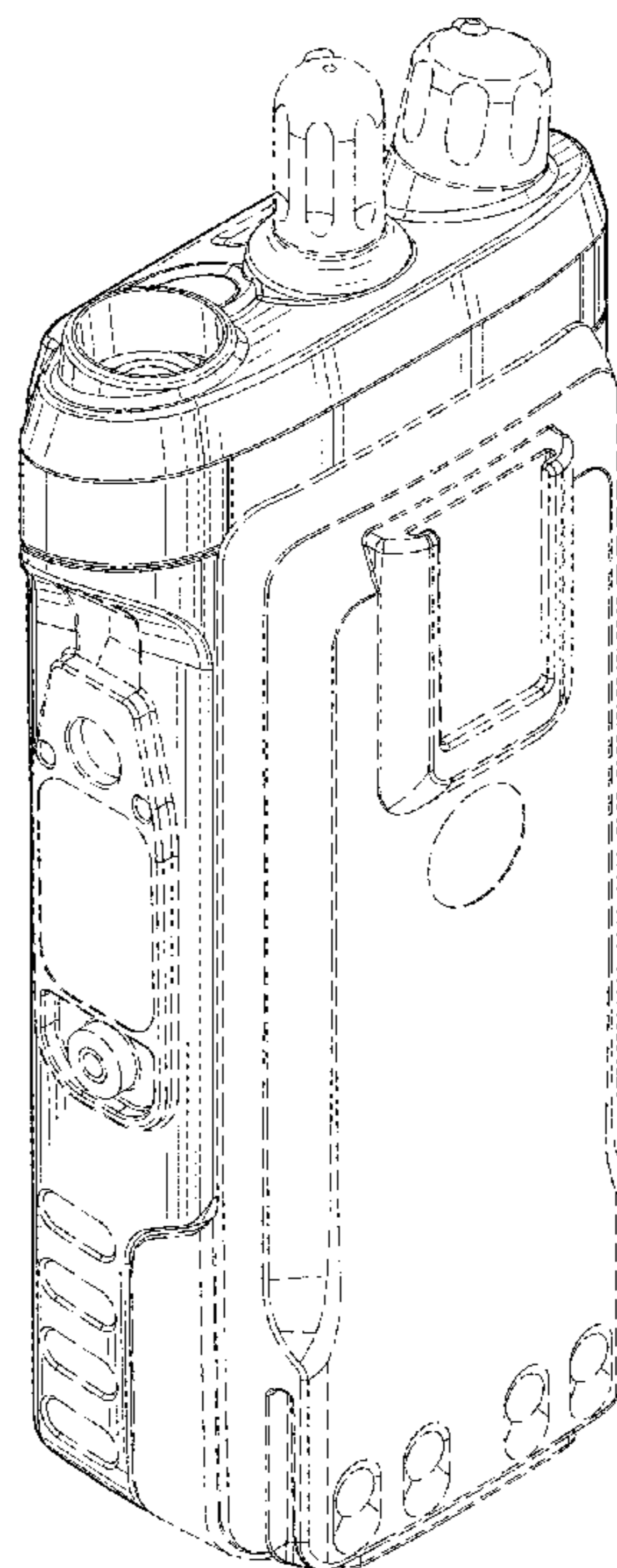
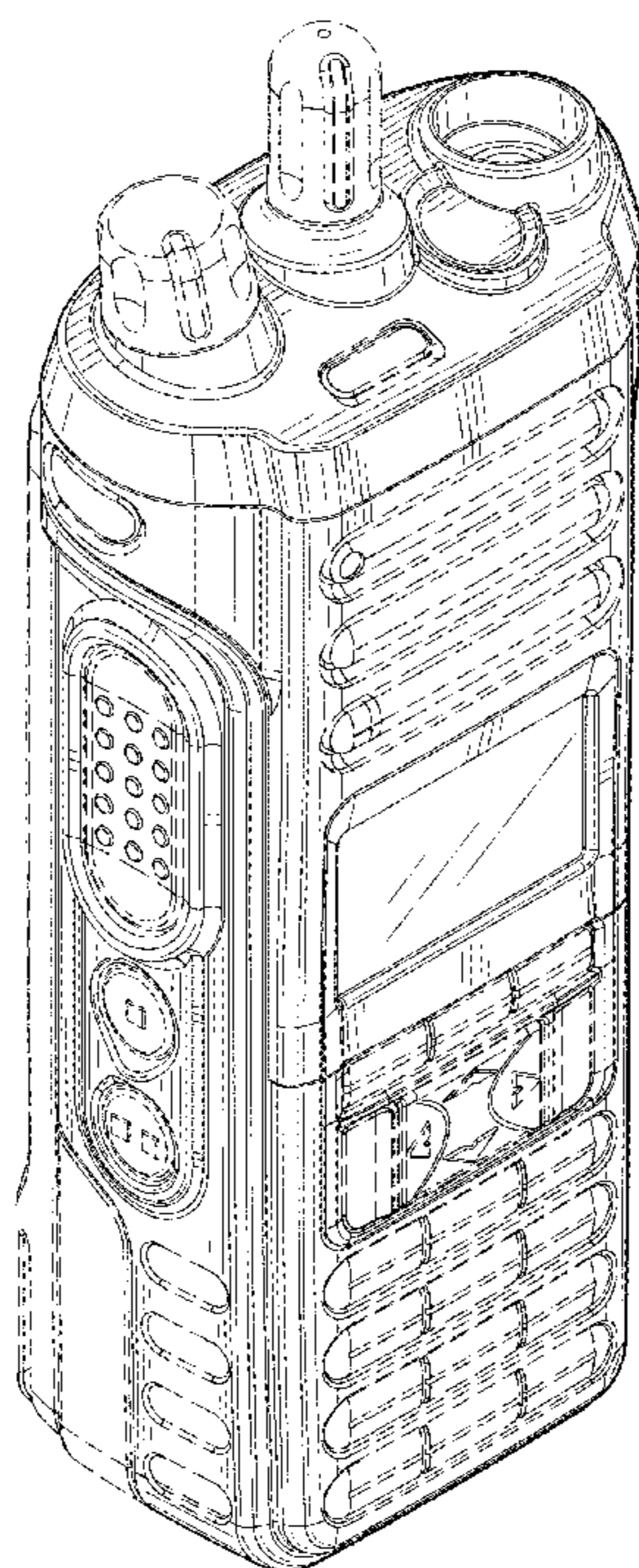
The ornamental design for a communication device, as shown and described.

DESCRIPTION

FIG. 1 is a front perspective view of an ornamental design for a communication device;
FIG. 2 is a rear perspective view thereof;
FIG. 3 is a front view thereof;
FIG. 4 is a rear view thereof;
FIG. 5 is a first side view thereof;
FIG. 6 is a second side view thereof;
FIG. 7 is a top view thereof; and,
FIG. 8 is a bottom view thereof.

The broken lines shown in FIGS. 1-8, that are immediately adjacent to the shaded areas, and define unshaded regions, represent the bounds of the claimed design, while all other broken lines are directed to environment and are for illustrative purposes only; the broken lines form no part of the claimed design.

1 Claim, 6 Drawing Sheets



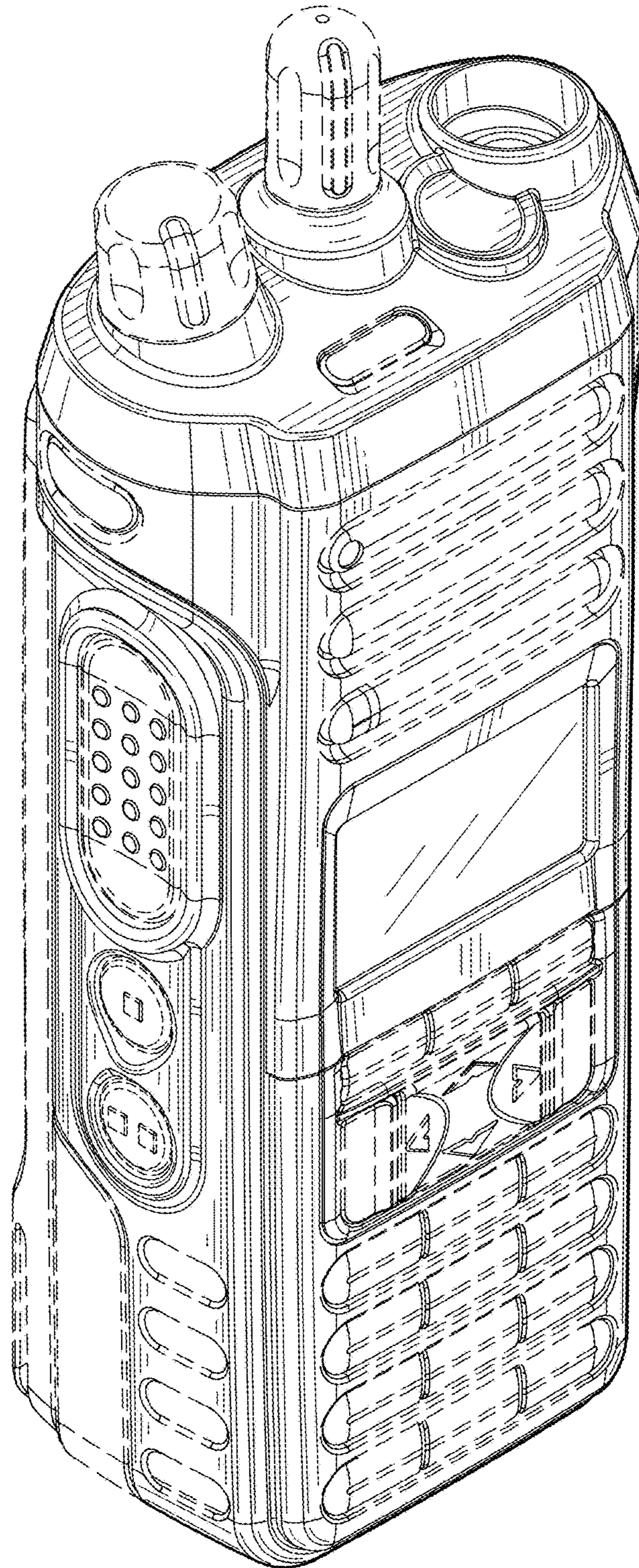


FIG. 1

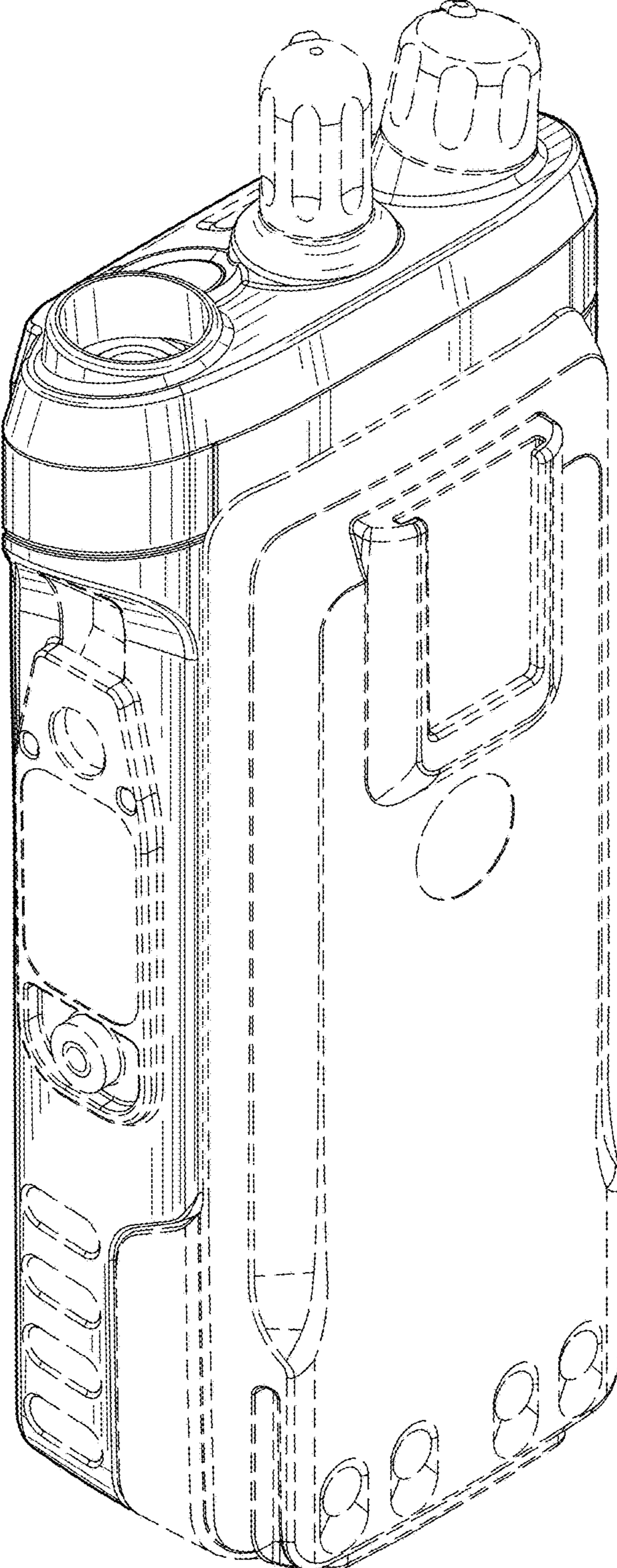


FIG. 2

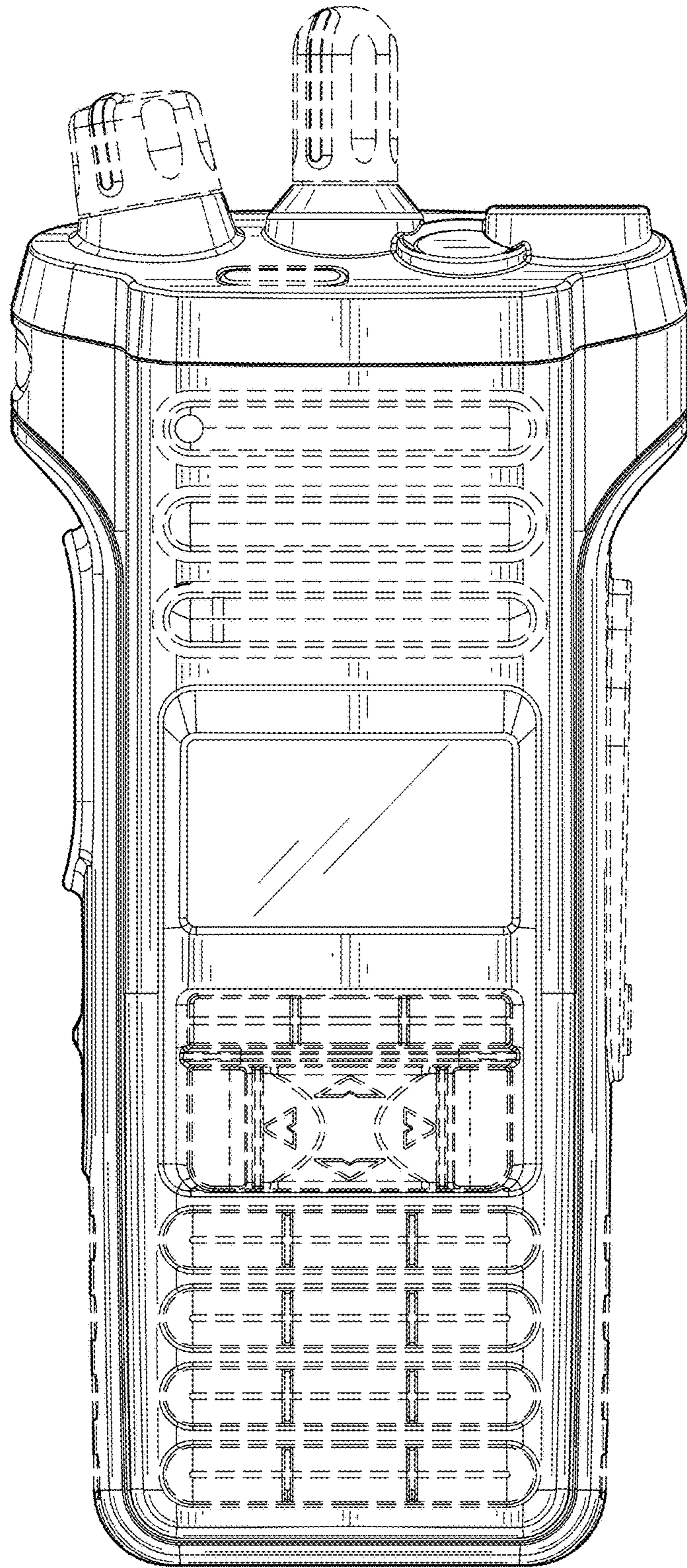


FIG. 3

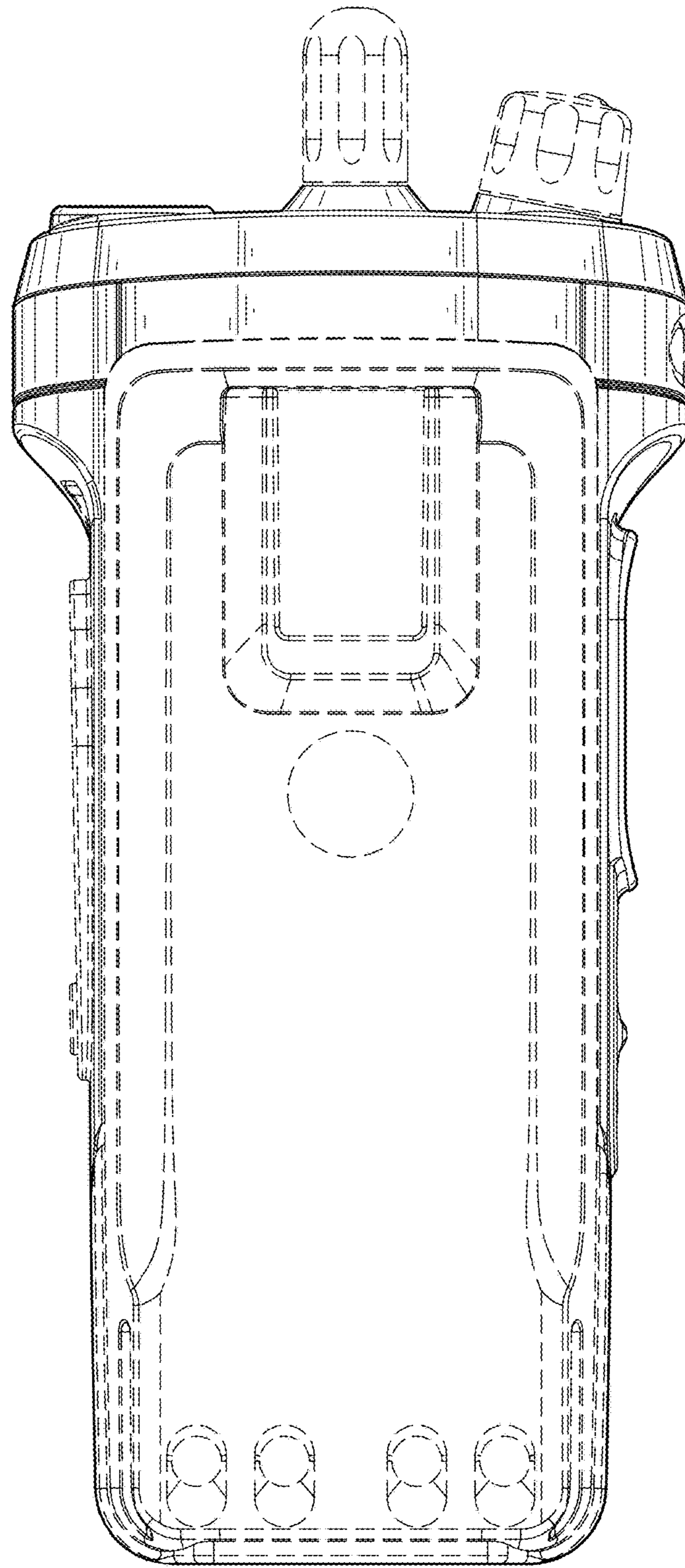


FIG. 4

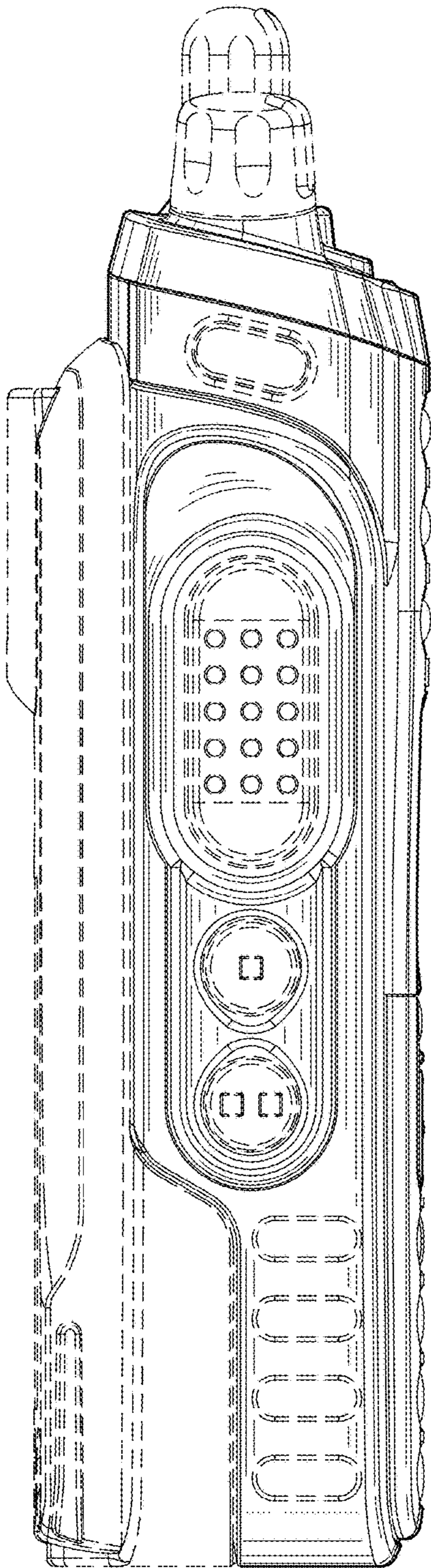


FIG. 5

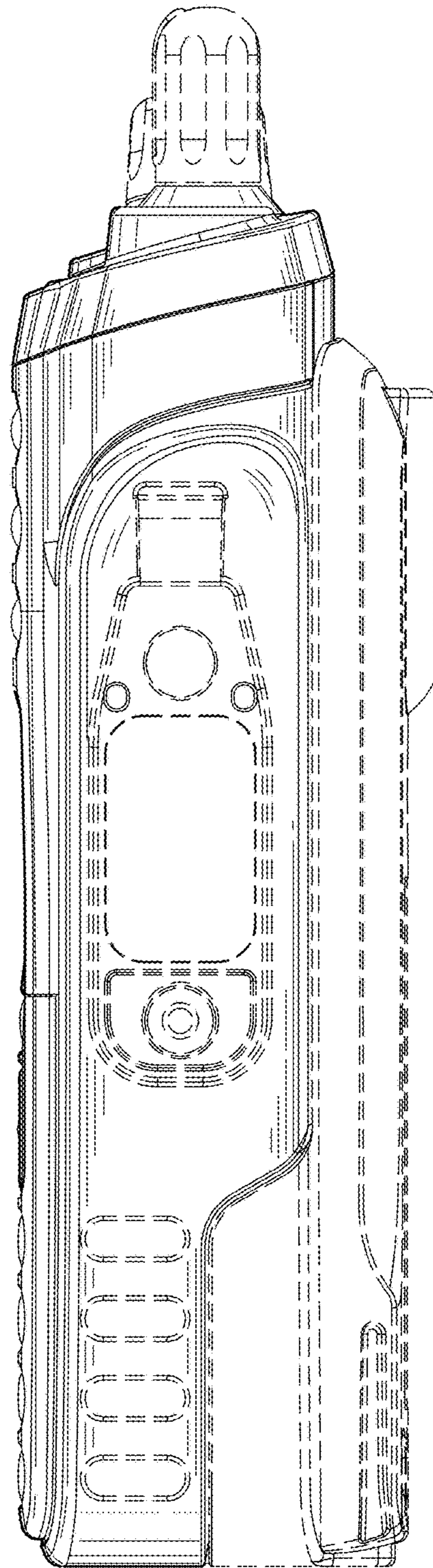


FIG. 6

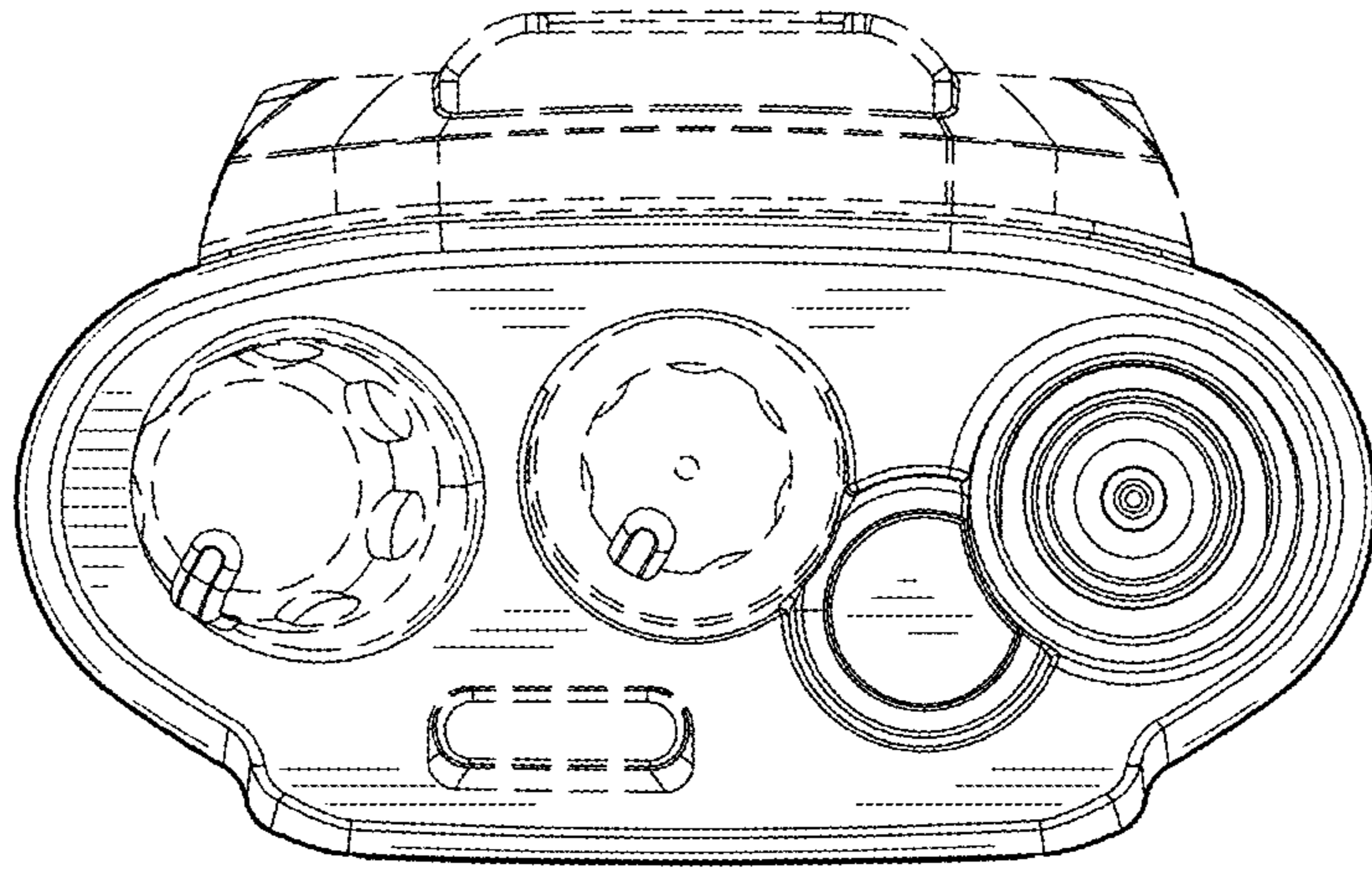


FIG. 7

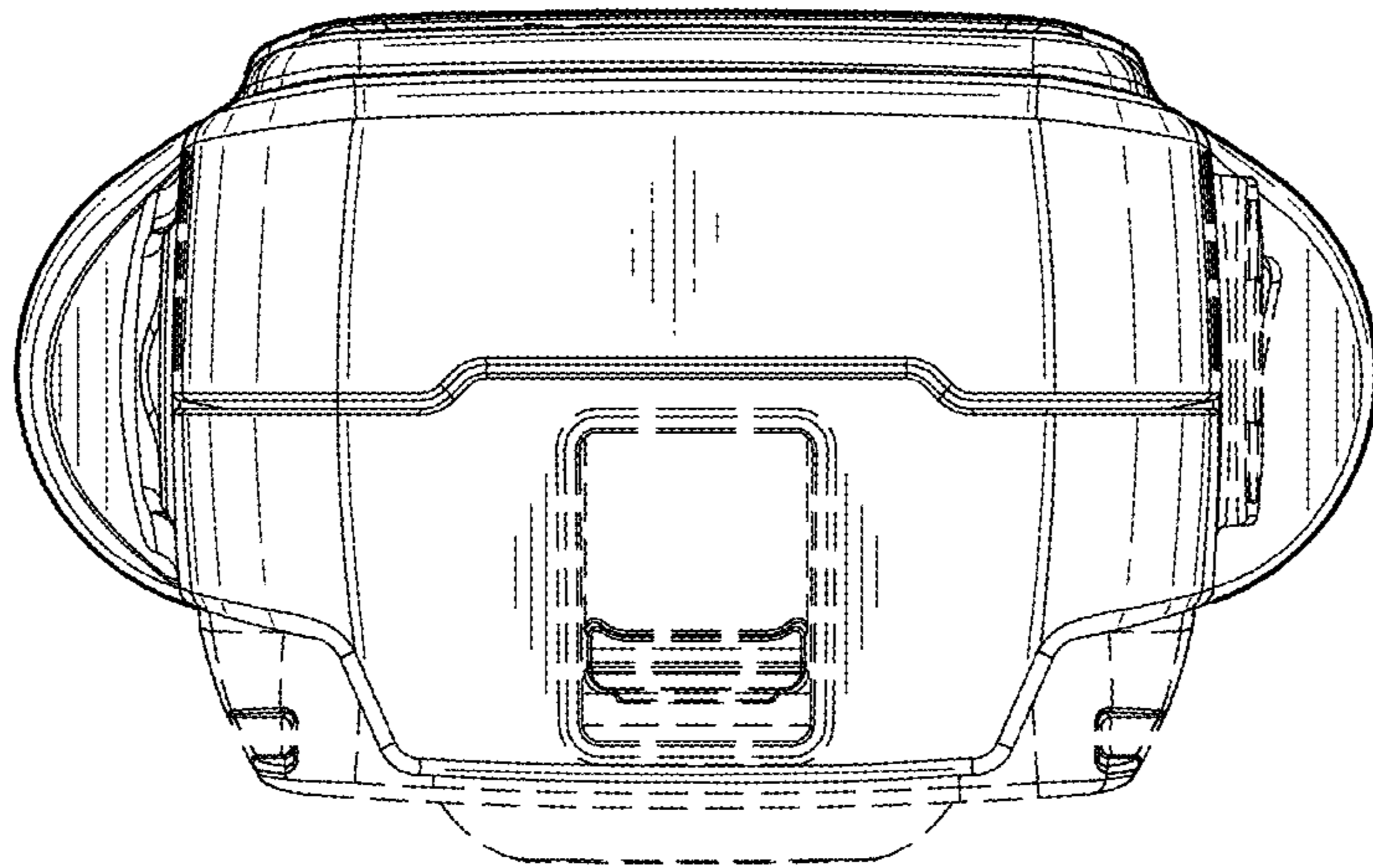


FIG. 8