



US00D805493S

(12) **United States Design Patent**
Chang et al.

(10) **Patent No.:** **US D805,493 S**

(45) **Date of Patent:** **** Dec. 19, 2017**

(54) **MULTIMEDIA DEVICE**

(71) Applicant: **Ever Prosper Co., Ltd.**, Taipei (TW)

(72) Inventors: **Kuan-Chun Chang**, Taipei (TW);
Hsin-Ke Lu, Taipei (TW)

(73) Assignee: **Ever Prosper Co., Ltd.**, Taipei (TW)

(**) Term: **15 Years**

(21) Appl. No.: **29/591,783**

(22) Filed: **Jan. 24, 2017**

(51) **LOC (10) Cl.** **14-03**

(52) **U.S. Cl.**
USPC **D14/129**; D14/496

(58) **Field of Classification Search**
USPC D14/125–134, 239, 129, 130, 168, 191,
D14/192, 371, 374–377, 383, 448, 450,
D14/451, 336, 342, 344, 496, 299, 138 R,
D14/507, 203.1, 203.3, 203.5, 203.6,
D14/203.7, 138 AB, 137, 300, 301, 302,
D14/314; D21/329, 515, 577; D10/15,
D10/30, 31, 37, 38; D20/10, 19, 28;
D13/123, 162, 162.1, 168; D24/169, 186
CPC G06F 1/1601; G06F 1/1637; H04N 5/64;
H05K 5/00; H05K 5/0017; H05K 5/02
See application file for complete search history.

(56) **References Cited**

U.S. PATENT DOCUMENTS

| | | | | | |
|------------|---|---------|-------------|-------|------------|
| D247,701 S | * | 4/1978 | Kwon | | D10/31 |
| D256,677 S | * | 9/1980 | Muramatsu | | D10/30 |
| D361,042 S | * | 8/1995 | Nanayakkara | | D10/30 |
| D369,807 S | * | 5/1996 | Lloyd | | D14/191 |
| D518,007 S | * | 3/2006 | Peng | | D14/129 |
| D518,008 S | * | 3/2006 | Peng | | D14/129 |
| D522,019 S | * | 5/2006 | Peng | | D14/203.7 |
| D580,803 S | * | 11/2008 | Whittaker | | D10/65 |
| D593,062 S | * | 5/2009 | Lee | | D14/138 AD |

| | | | | | |
|------------|---|---------|-----------|-------|------------|
| D594,875 S | * | 6/2009 | Sheba | | D14/203.3 |
| D603,827 S | * | 11/2009 | Tompkin | | D14/138 AD |
| D606,519 S | * | 12/2009 | Painter | | D14/218 |
| D616,875 S | * | 6/2010 | Oh | | D14/188 |
| D618,647 S | * | 6/2010 | Wykes | | D14/138 AD |
| D631,464 S | * | 1/2011 | Kim | | D14/138 G |
| D648,298 S | * | 11/2011 | Pierce | | D14/138 G |
| D656,122 S | * | 3/2012 | Niizawa | | D14/203.3 |
| D666,578 S | * | 9/2012 | Lin | | D14/203.3 |
| D693,248 S | * | 11/2013 | Anderssen | | D10/65 |
| D693,249 S | * | 11/2013 | Anderssen | | D10/65 |
| D706,145 S | * | 6/2014 | Pavlak | | D10/50 |
| D714,288 S | * | 9/2014 | Aumiller | | D14/344 |
| D717,298 S | * | 11/2014 | Sale | | D14/371 |
| D721,075 S | * | 1/2015 | Toda | | D14/342 |
| D723,552 S | * | 3/2015 | Clegg | | D14/341 |
| D724,043 S | * | 3/2015 | Umezawa | | D14/130 |

(Continued)

Primary Examiner — Susan Bennett Hattan

Assistant Examiner — Marie D. Fast Horse

(74) *Attorney, Agent, or Firm* — C. G. Mersereau;
Nikolai & Mersereau, P.A.

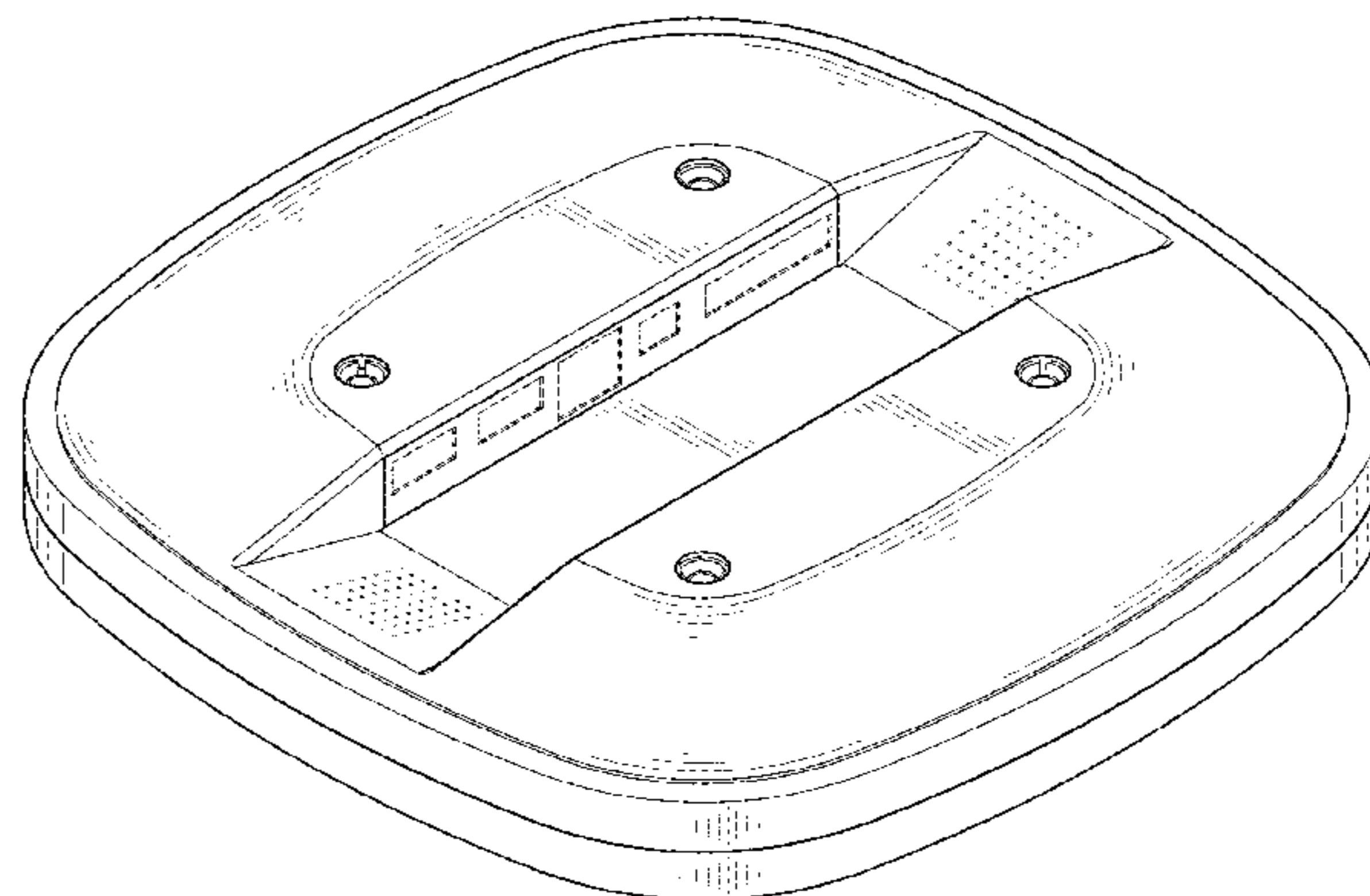
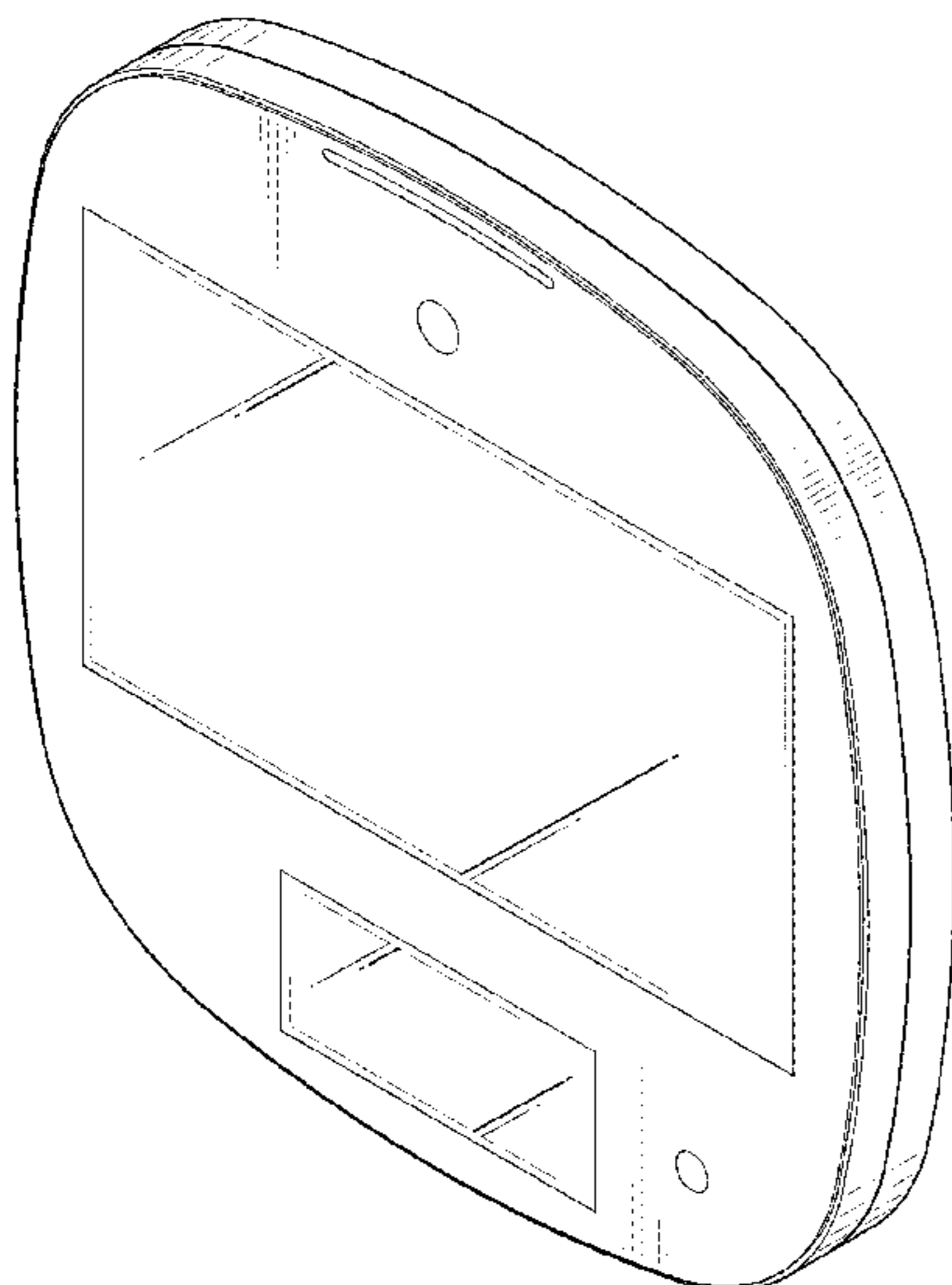
(57) **CLAIM**

The ornamental design for a multimedia device, as shown and described.

DESCRIPTION

FIG. 1 is a perspective view of a multimedia device showing our new design;
FIG. 2 is a front view thereof;
FIG. 3 is a rear view thereof;
FIG. 4 is a left side view thereof;
FIG. 5 is a right side view thereof;
FIG. 6 is a top view thereof;
FIG. 7 is a bottom view thereof; and,
FIG. 8 is another perspective view thereof.
The broken lines depict portions of the multimedia device, are for illustration only and form no part of the claimed design.

1 Claim, 8 Drawing Sheets



(56)

References Cited

U.S. PATENT DOCUMENTS

| | | | | | | |
|----------|---|---|---------|--------------------|-------|---------|
| D726,680 | S | * | 4/2015 | Kim | | D10/37 |
| D728,624 | S | * | 5/2015 | Akana | | D14/496 |
| D734,178 | S | * | 7/2015 | Lombard | | D10/50 |
| D743,393 | S | * | 11/2015 | Lim | | D10/38 |
| D745,005 | S | * | 12/2015 | Kim | | D10/38 |
| D747,490 | S | * | 1/2016 | Harkin | | D24/169 |
| D747,494 | S | * | 1/2016 | Tamsiran | | D24/186 |
| D749,570 | S | * | 2/2016 | Lee | | D14/344 |
| D754,751 | S | * | 4/2016 | Kusano et al. | | D14/496 |
| D759,623 | S | * | 6/2016 | Dahlberg | | D10/30 |
| D761,675 | S | * | 7/2016 | Thaveeprungsriporn | | D10/38 |
| D765,615 | S | * | 9/2016 | Kim | | D14/126 |
| D768,589 | S | * | 10/2016 | Shin | | D14/125 |
| D783,552 | S | * | 4/2017 | Hogan | | D14/125 |
| D785,583 | S | * | 5/2017 | Muller | | D14/126 |
| D786,244 | S | * | 5/2017 | Mohideen | | D14/371 |
| D797,095 | S | * | 9/2017 | Delpier | | D14/314 |

* cited by examiner

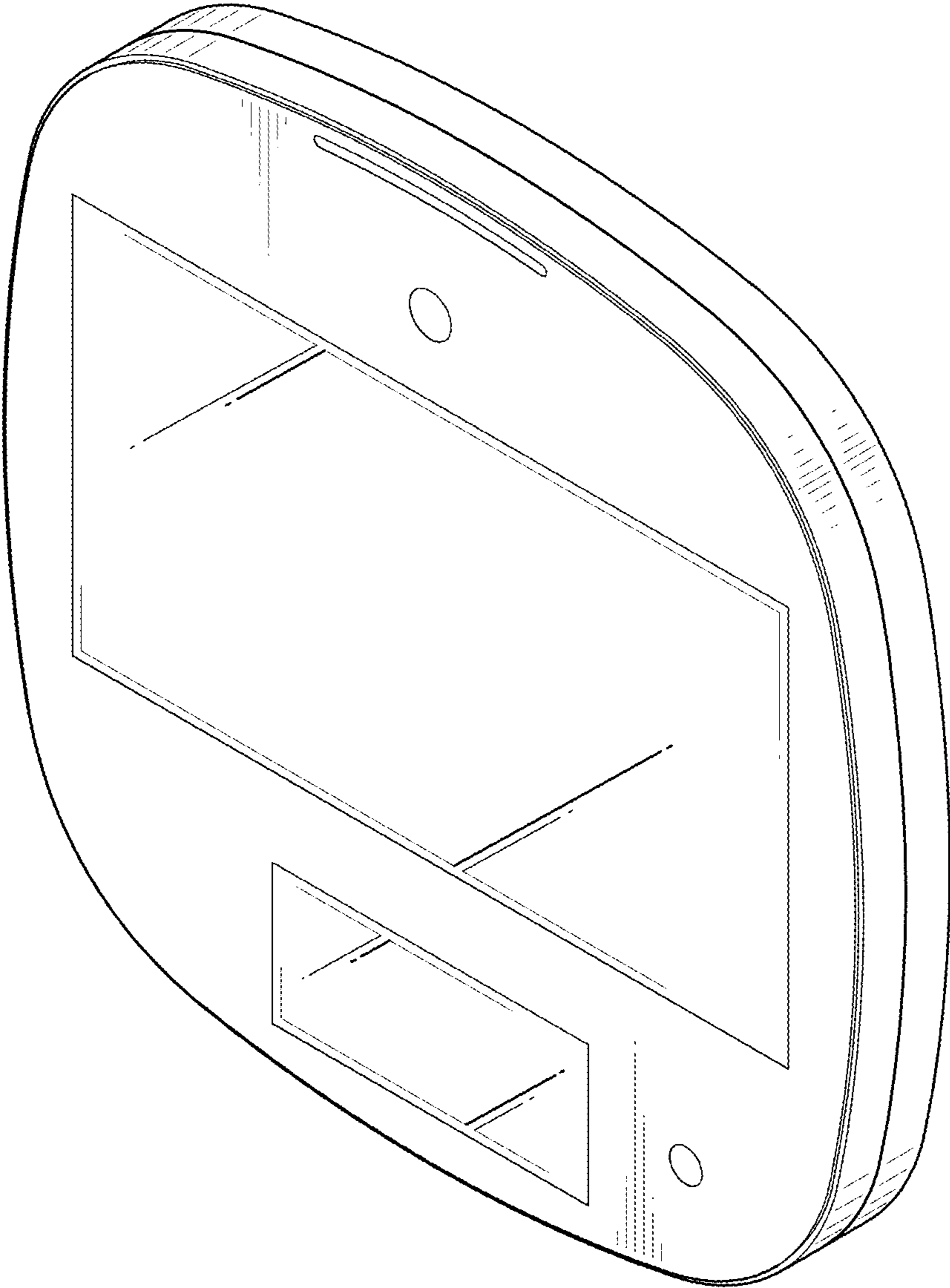


FIG. 1

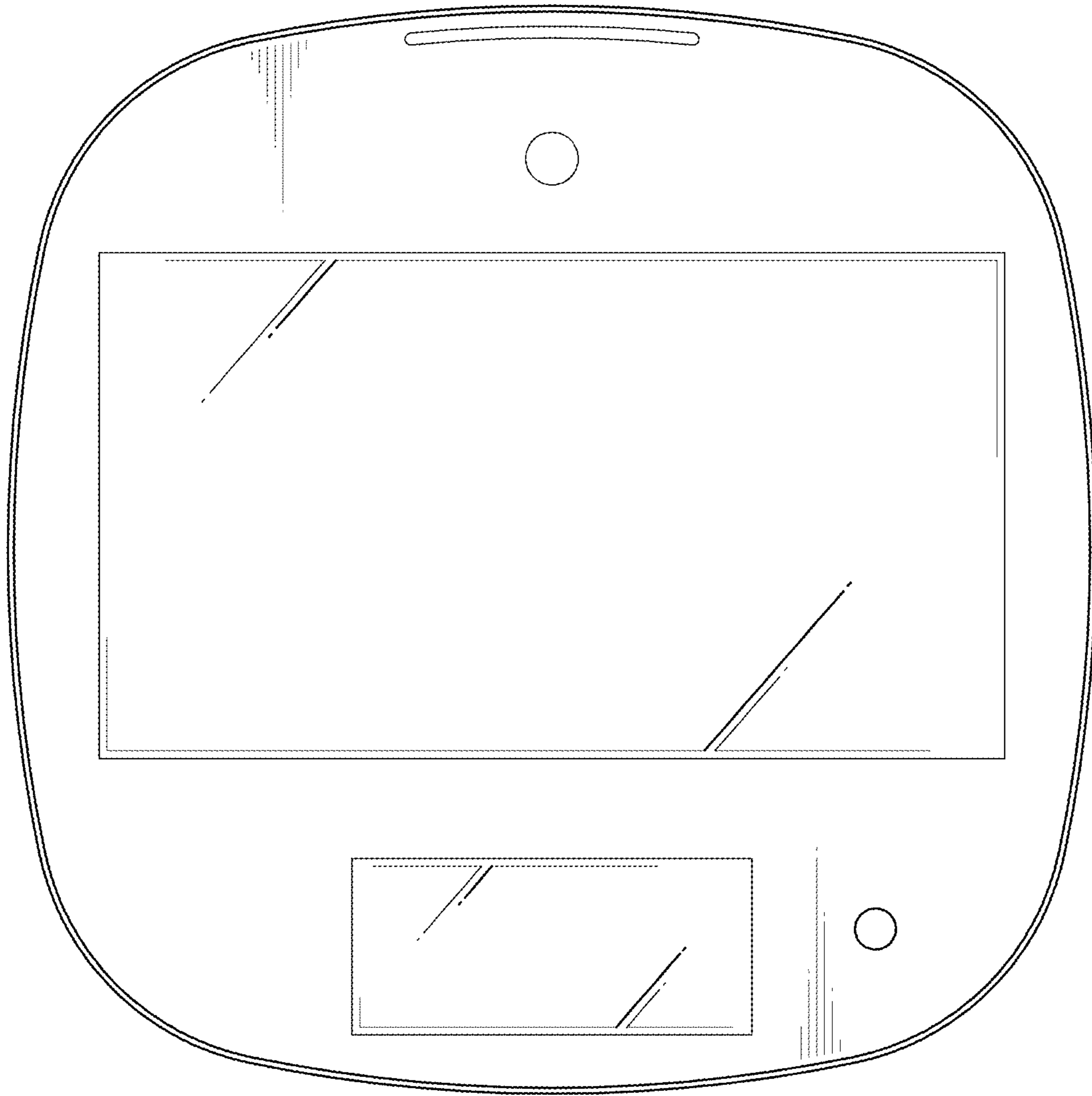


FIG. 2

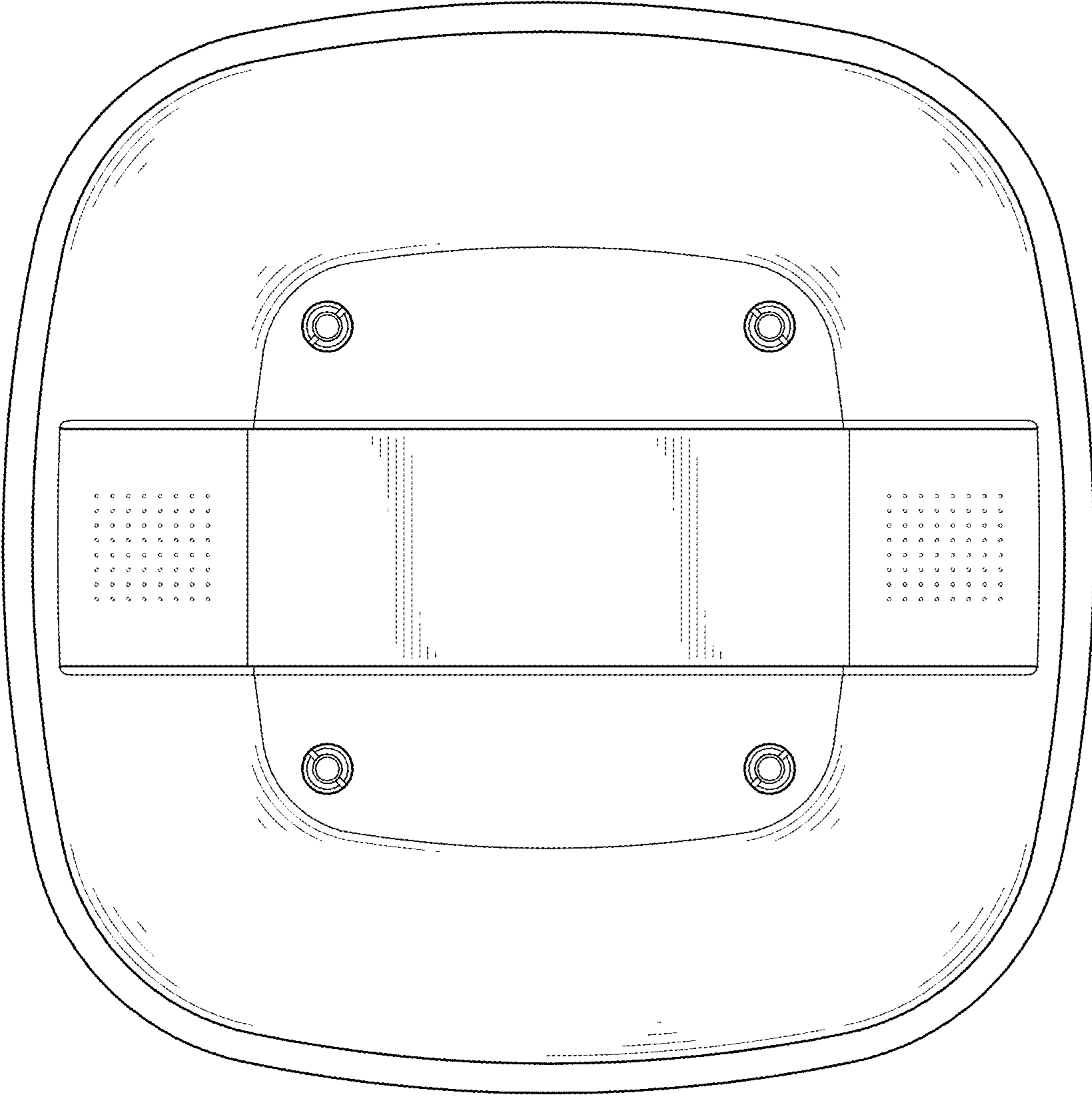


FIG. 3

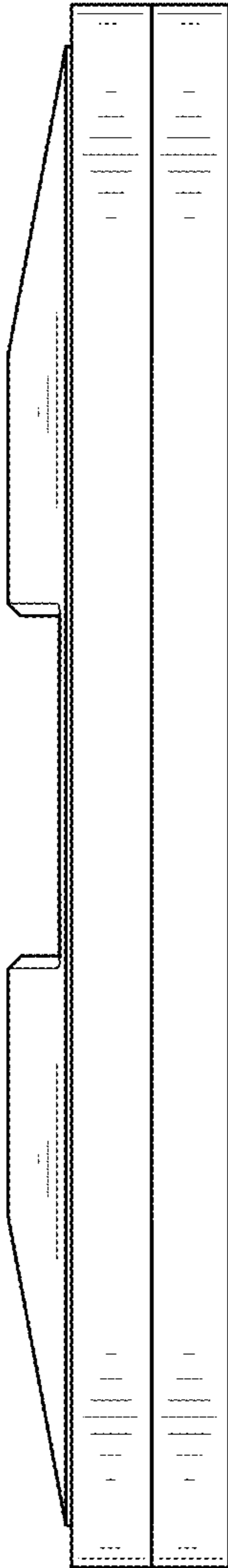


FIG. 4

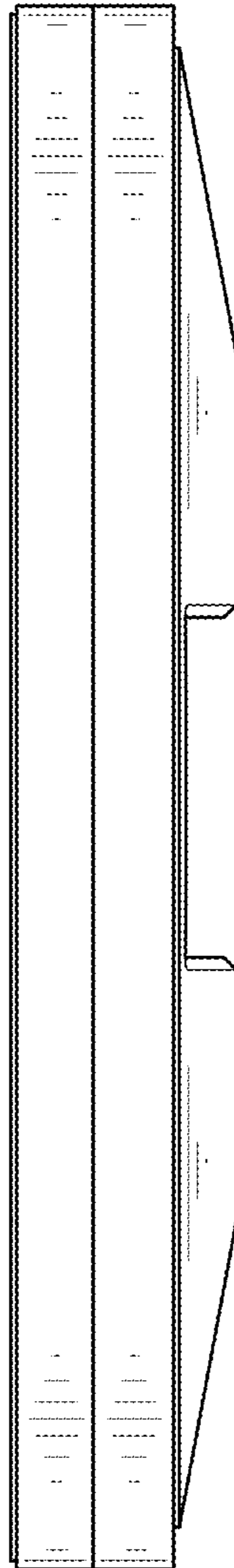


FIG. 5

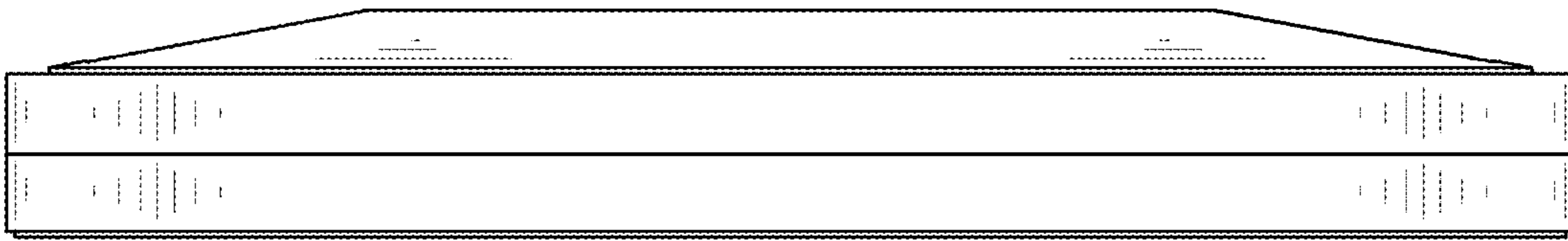


FIG. 6

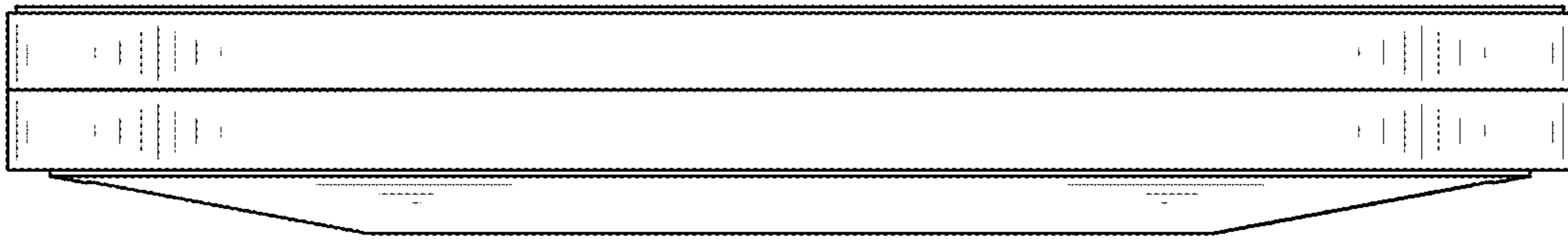


FIG. 7

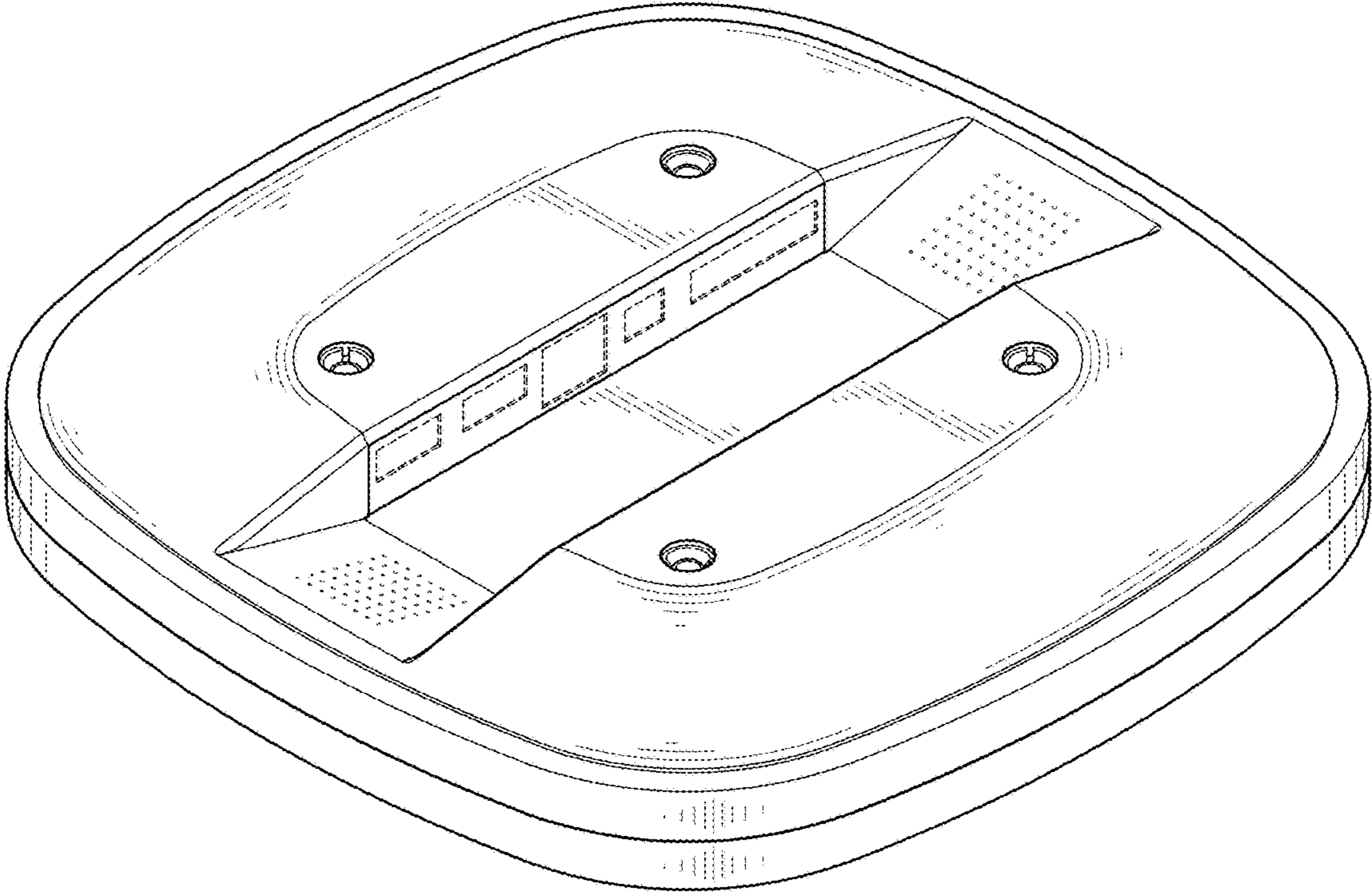


FIG. 8