



US00D805492S

(12) **United States Design Patent**
Ahn et al.

(10) **Patent No.:** **US D805,492 S**

(45) **Date of Patent:** **** Dec. 19, 2017**

(54) **TV RECEIVER**

(71) Applicant: **LG ELECTRONICS INC.**, Seoul (KR)

(72) Inventors: **Hyuntae Ahn**, Seoul (KR); **Chulhee Lim**, Seoul (KR); **Sunggu Joe**, Seoul (KR)

(73) Assignee: **LG ELECTRONICS INC.**, Seoul (KR)

(**) Term: **15 Years**

(21) Appl. No.: **35/501,765**

(22) Filed: **Apr. 26, 2016**

(80) **Hague Agreement Data**

Int. Filing Date: **Apr. 26, 2016**

Int. Reg. No.: **DM/090483**

Int. Reg. Date: **Apr. 26, 2016**

Int. Reg. Pub. Date: **Oct. 28, 2016**

(30) **Foreign Application Priority Data**

Oct. 30, 2015 (KR) 30-2015-0054930

(51) **LOC (10) Cl.** **14-03**

(52) **U.S. Cl.**
USPC **D14/126**

(58) **Field of Classification Search**

USPC D14/125, 126, 128, 133, 239, 336, 371, D14/374-377, 448, 450; D20/10, 19, 39; D21/329, 515; 312/7.2; 348/180, 184, 348/325, 739, 836, 838; 248/465, 248/917-924; 345/87, 104, 133, 156, 345/168, 173

CPC G06F 1/1601; G06F 1/1643; H04N 5/64; H04N 5/66; H04N 5/655; H04N 7/00; H04N 9/3141; H04N 13/0459; H04N 17/04; H04N 17/004; H04N 21/43637; G02B 6/0068; H05K 5/02; H05K 5/0004; H05K 5/0017; H05K 5/0217

See application file for complete search history.

(56) **References Cited**

U.S. PATENT DOCUMENTS

D603,815 S	*	11/2009	Hirasawa	D14/126
D624,895 S	*	10/2010	Kasuga	D14/126
D626,103 S	*	10/2010	Buzzard	D14/126
D671,083 S	*	11/2012	Kim	D14/126
D765,048 S	*	8/2016	Kim	D14/126
D773,418 S	*	12/2016	Won	D14/126

* cited by examiner

Primary Examiner — Keli L Hill

(74) *Attorney, Agent, or Firm* — Birch, Stewart, Kolasch & Birch, LLP

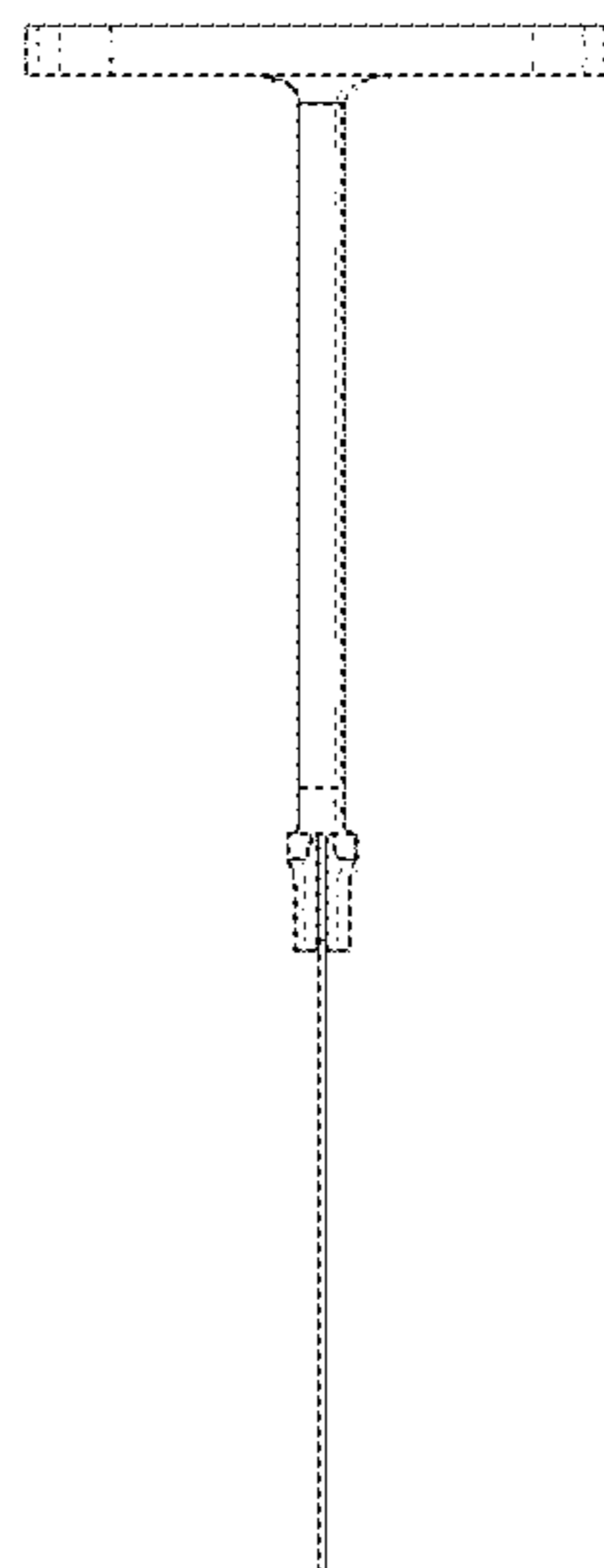
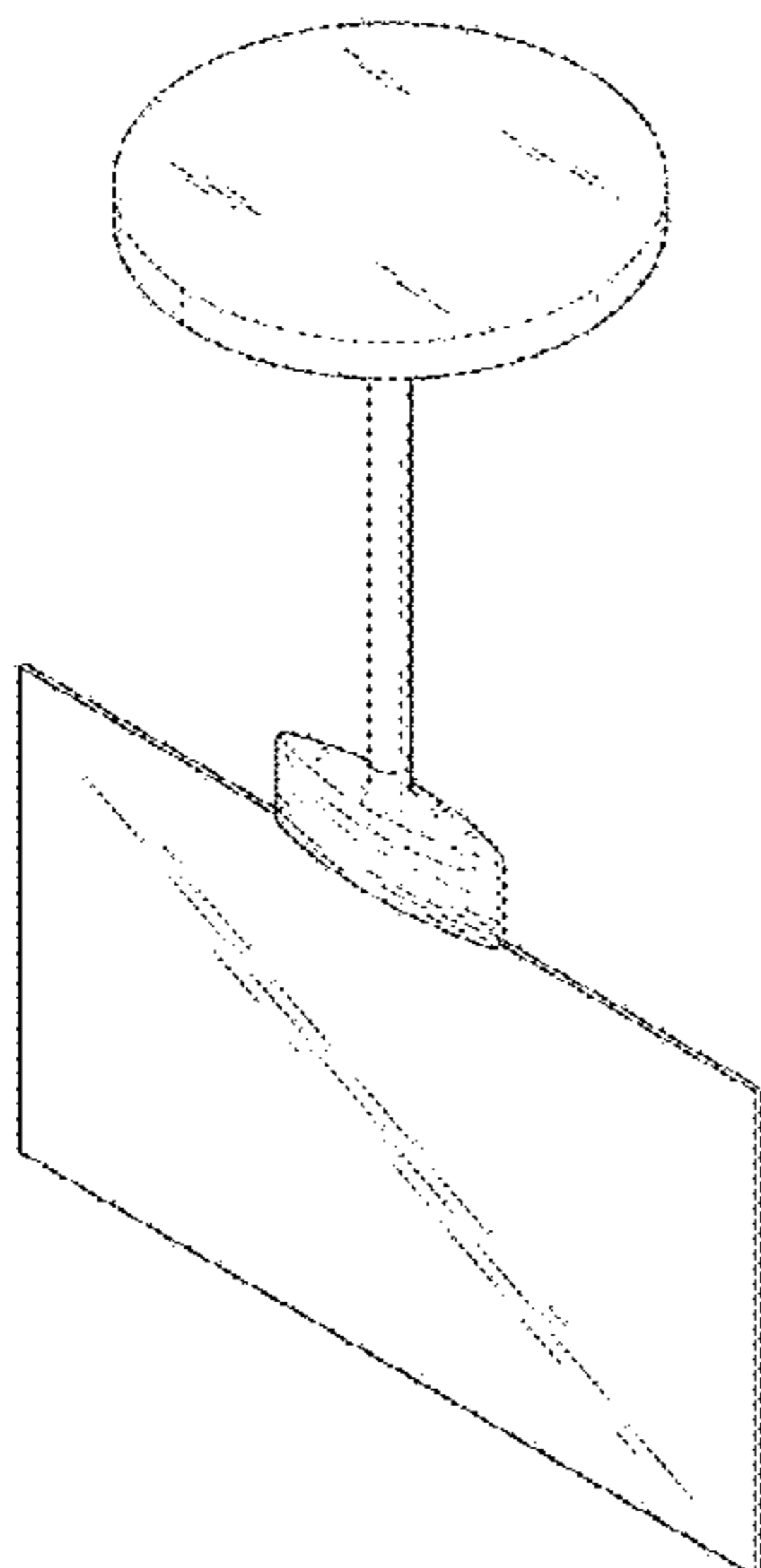
(57) **CLAIM**

The ornamental design for a TV receiver, as shown and described.

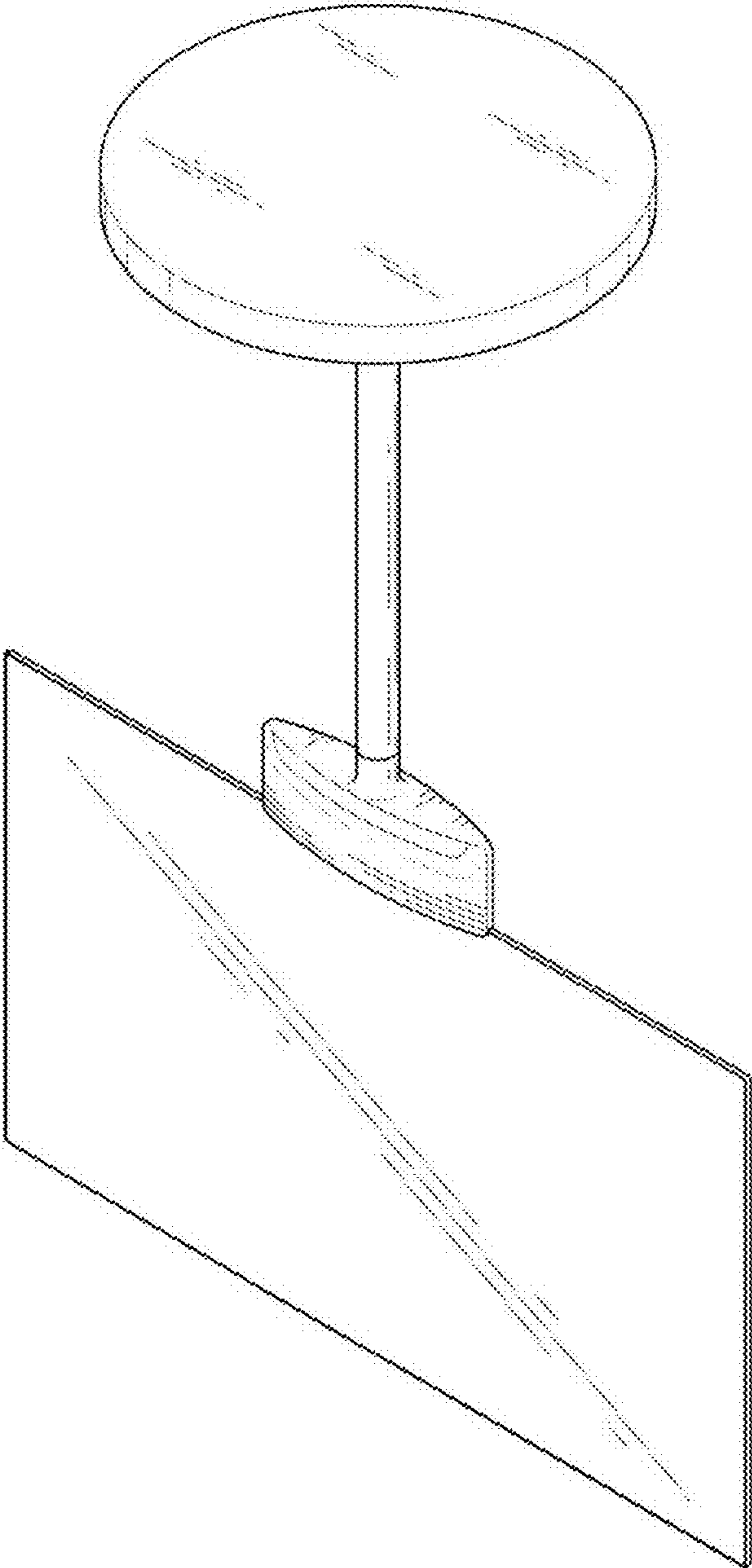
DESCRIPTION

- 1. TV receiver
- 1.1 : Perspective
- 1.2 : Front
- 1.3 : Back
- 1.4 : Left
- 1.5 : Right
- 1.6 : Top
- 1.7 : Bottom
- 1.8 : Reference view

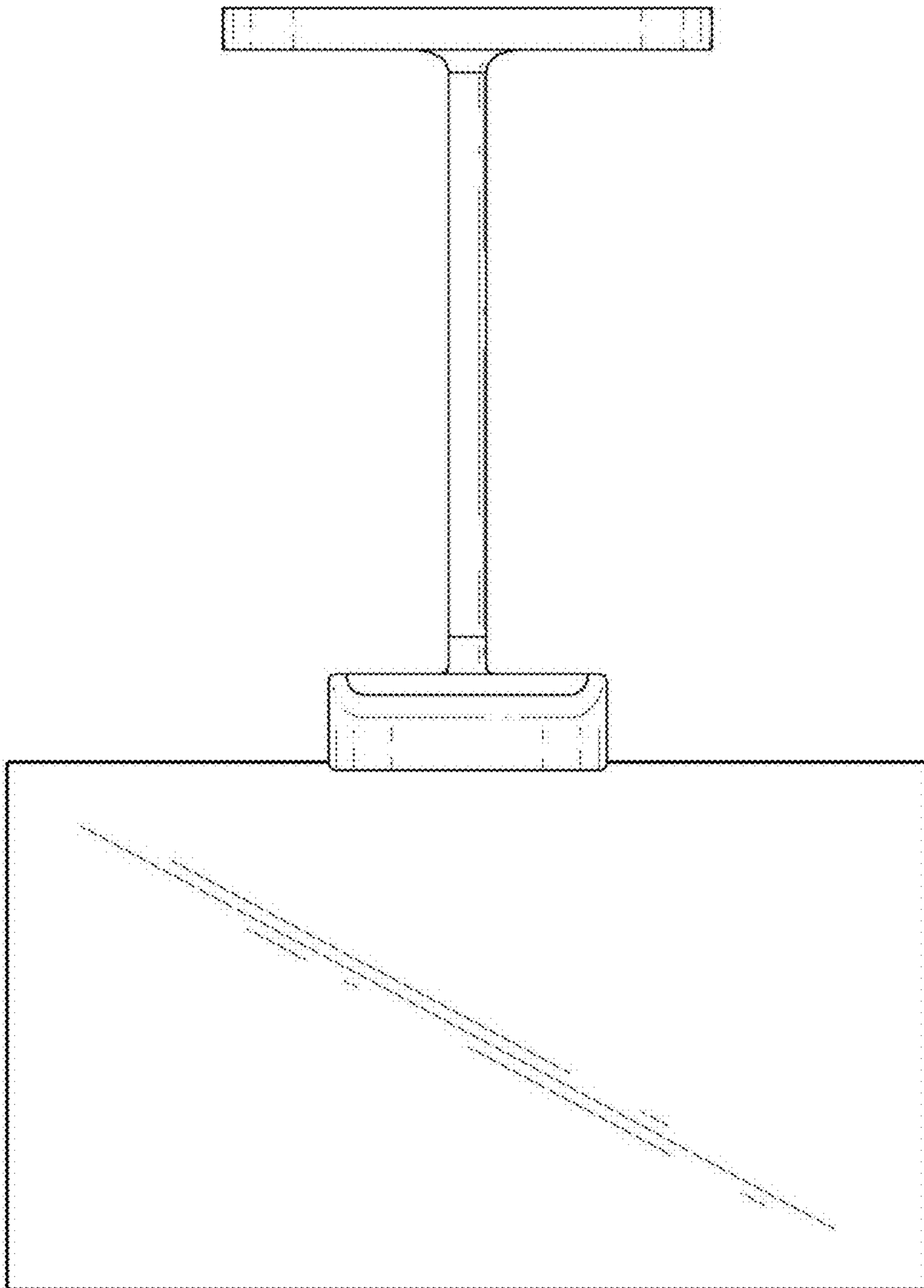
1 Claim, 8 Drawing Sheets



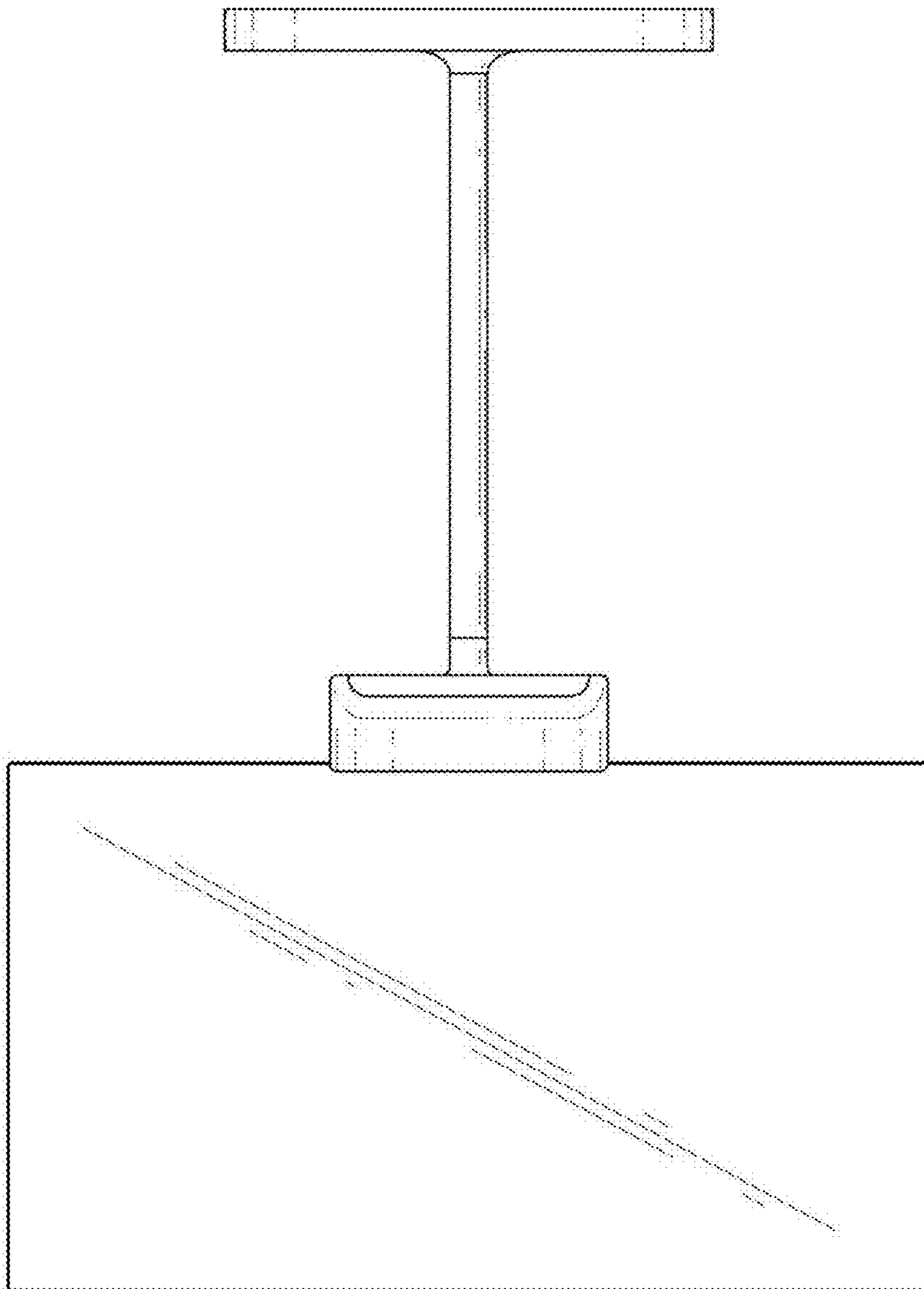
1.1

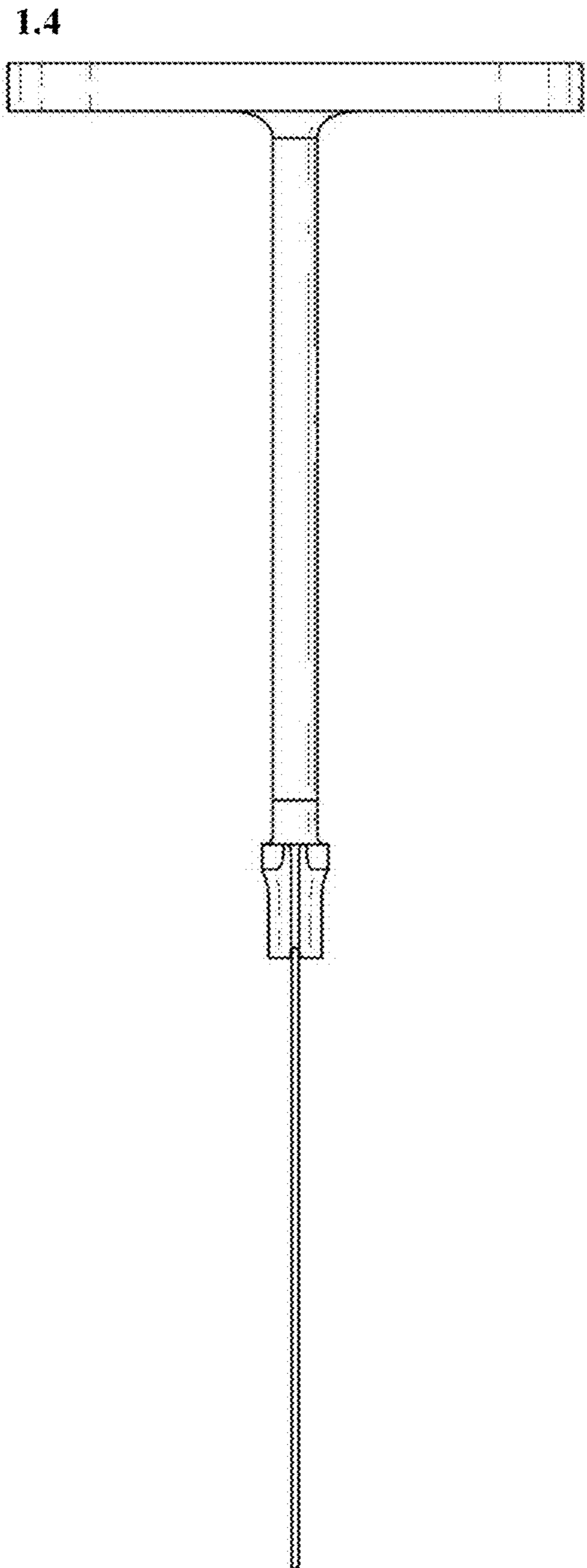


1.2

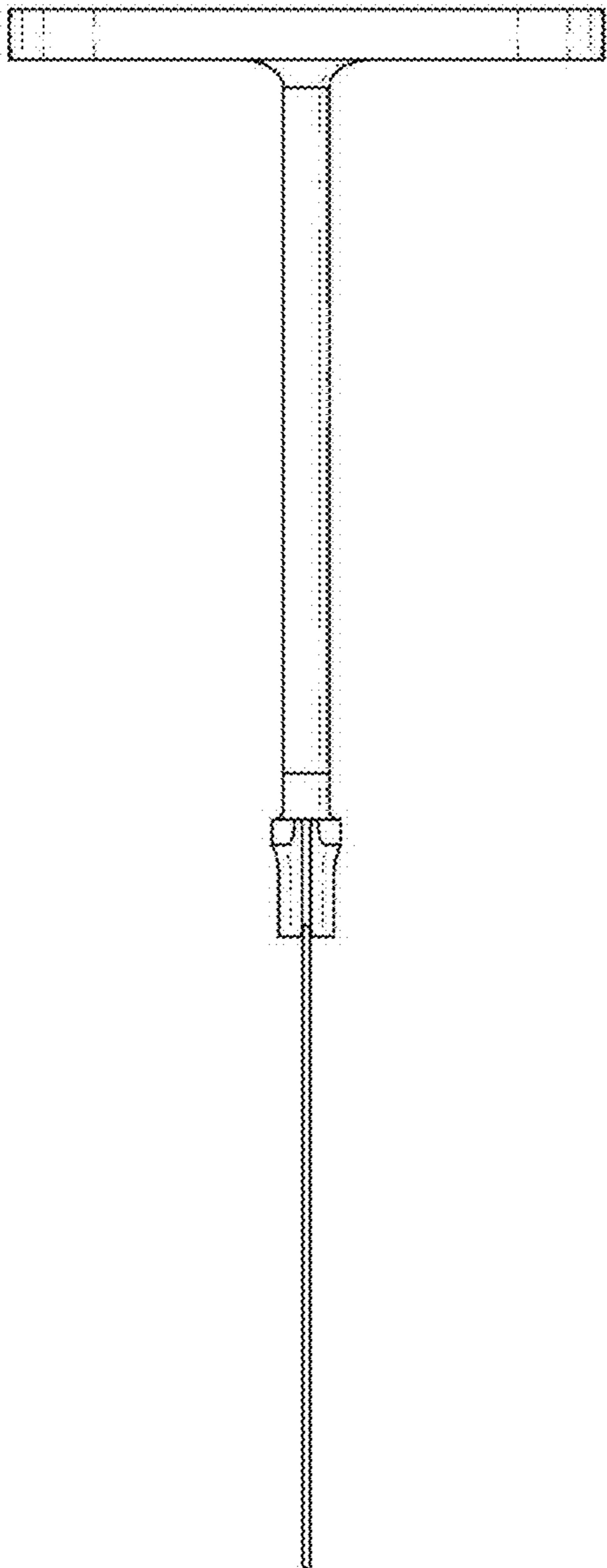


1.3

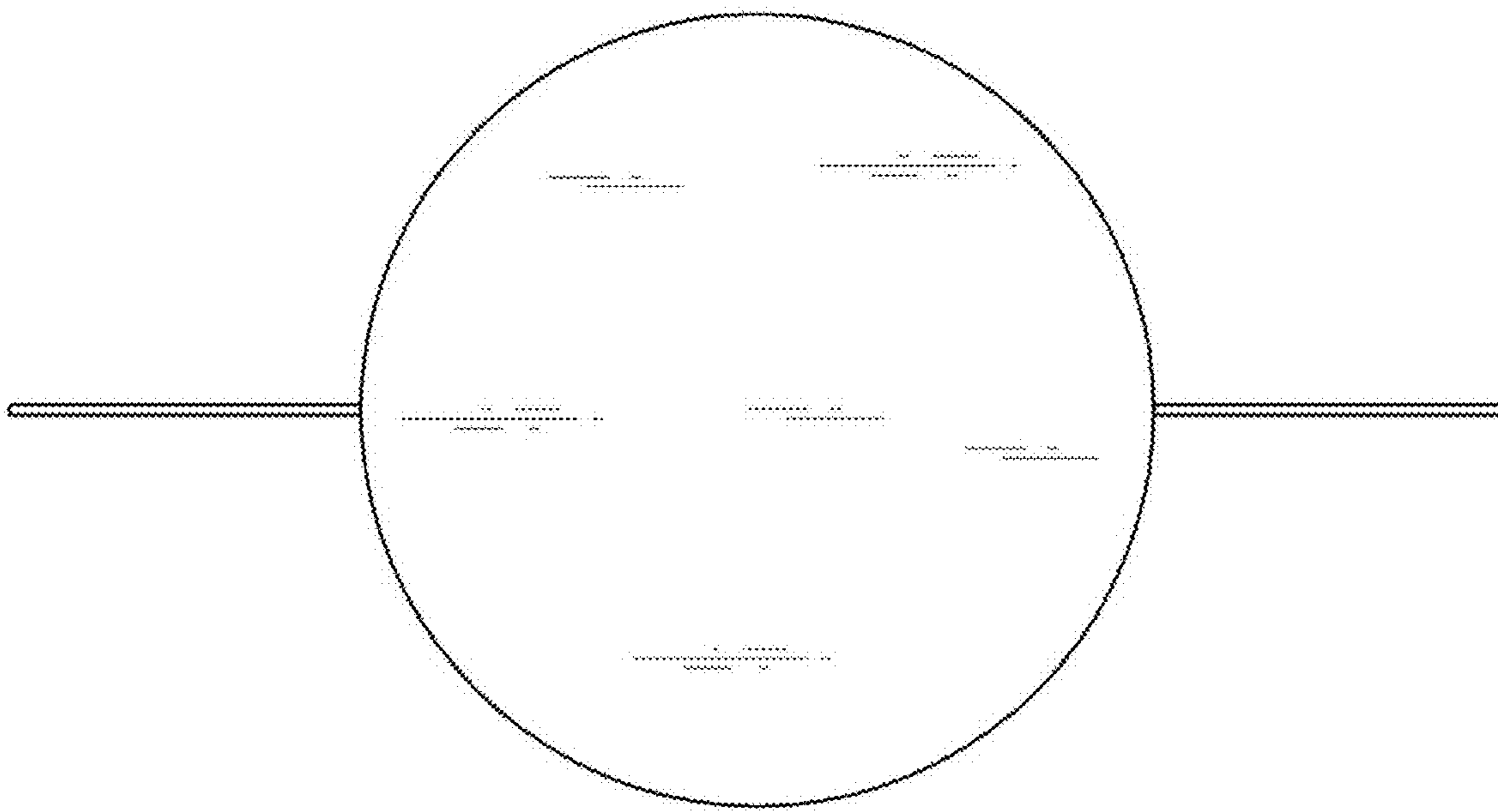




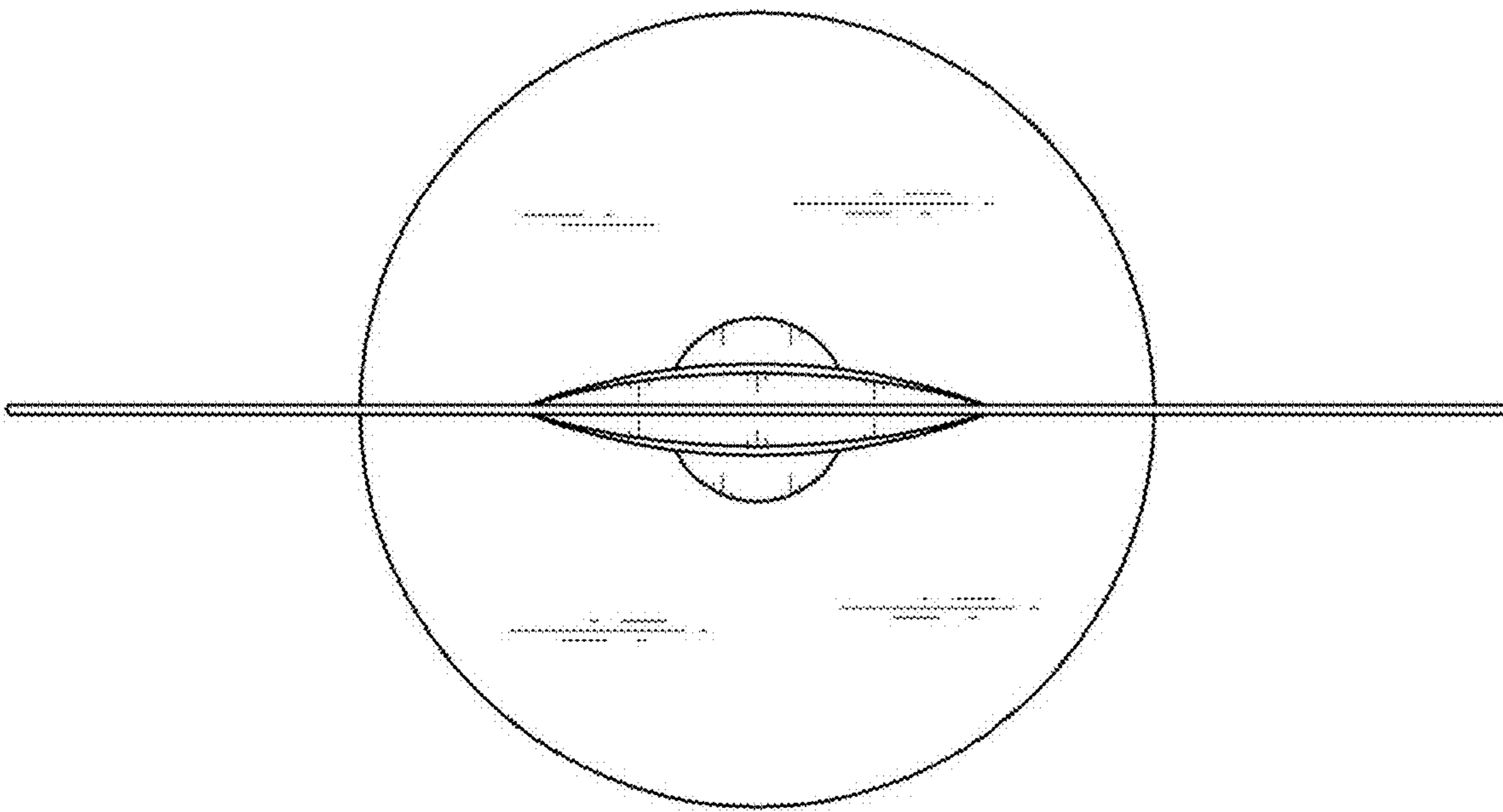
1.5



1.6



1.7



1.8

