



US00D805489S

(12) **United States Design Patent** (10) **Patent No.:** **US D805,489 S**
Dry et al. (45) **Date of Patent:** **** Dec. 19, 2017**

(54) **TELEVISION**

(71) Applicant: **WirePath Home Systems, LLC**,
Charlotte, NC (US)
(72) Inventors: **Jonathan David Dry**, Newbury Park,
CA (US); **Thomas Weaver**, Westlake
Village, CA (US)
(73) Assignee: **Wirepath Home Systems, LLC**,
Charlotte, NC (US)

(**) Term: **15 Years**

(21) Appl. No.: **29/577,466**

(22) Filed: **Sep. 13, 2016**

(51) **LOC (10) Cl.** **14-03**

(52) **U.S. Cl.**
USPC **D14/126**

(58) **Field of Classification Search**
USPC D14/125-134, 239, 371, 136, 374-377,
D14/440, 450, 448, 336, 342, 159;
312/7.2; 348/836, 838, 180, 184, 325,
348/739; 248/917-924, 465; 345/104,
345/133, 156, 168, 87, 173; D21/329,
D21/515, 577, 622, 333, 433, 448, 452,
D21/450, 331, 505; D10/15, 26;
446/484, 175, 356; D6/477, 479, 300;
D20/10, 19, 39
CPC ... G06F 1/1601; G06F 1/1643; H05K 5/0004;
H05K 5/0017; H05K 5/02; H05K 5/0217;
H04N 13/0459

See application file for complete search history.

(56) **References Cited**

U.S. PATENT DOCUMENTS

D691,157 S *	10/2013	Ramesh	D14/486
D709,844 S *	7/2014	Kim	D14/126
D726,135 S *	4/2015	Takechi	D14/126
D734,284 S *	7/2015	Dai	D14/126
D741,275 S *	10/2015	Huh	D14/126
D746,241 S *	12/2015	Kurihara	D14/126

* cited by examiner

Primary Examiner — Randall Gholson

(74) *Attorney, Agent, or Firm* — Myers Bigel, P.A.

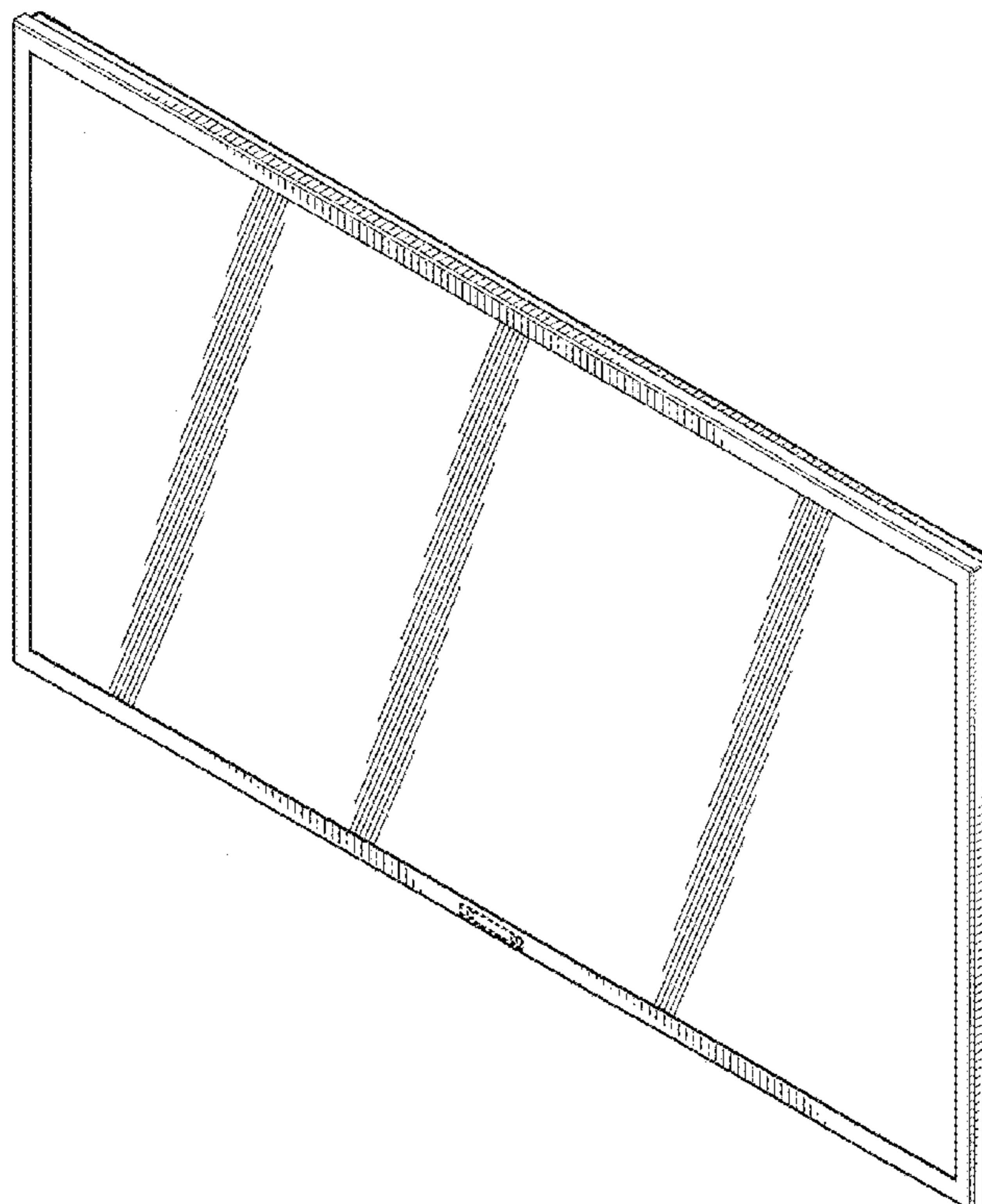
(57) **CLAIM**

The ornamental design for a television, as shown and described.

DESCRIPTION

FIG. 1 is a front perspective view illustrating a television;
FIG. 2 is a back perspective view thereof;
FIG. 3 is a front view thereof;
FIG. 4 is a back view thereof;
FIG. 5 is a side view thereof;
FIG. 6 is an opposing side view thereof;
FIG. 7 is a top view thereof; and,
FIG. 8 is a bottom view thereof.
The broken lines in the drawings show unclaimed subject matter only and form no part of the claimed design.

1 Claim, 6 Drawing Sheets



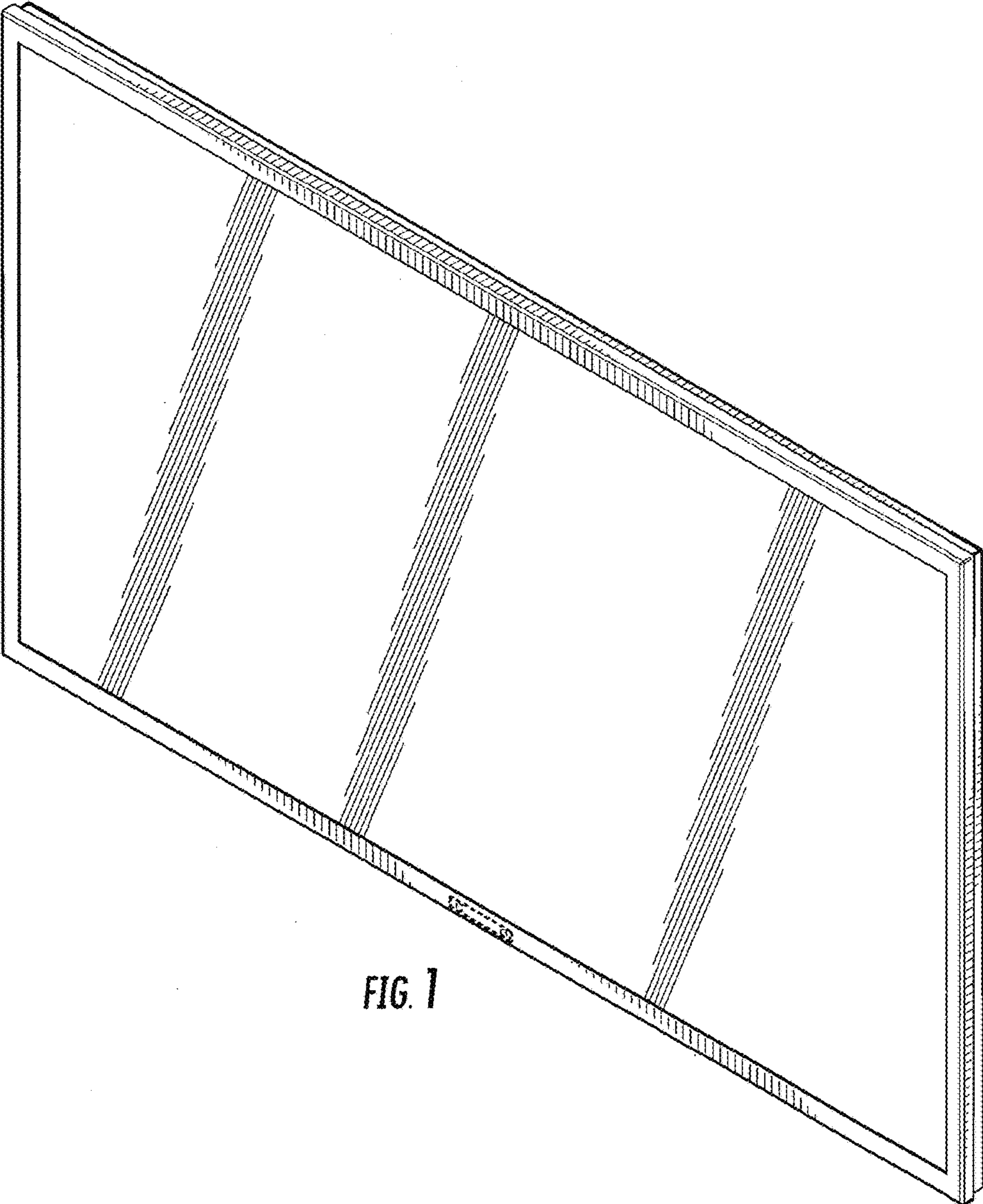


FIG. 1

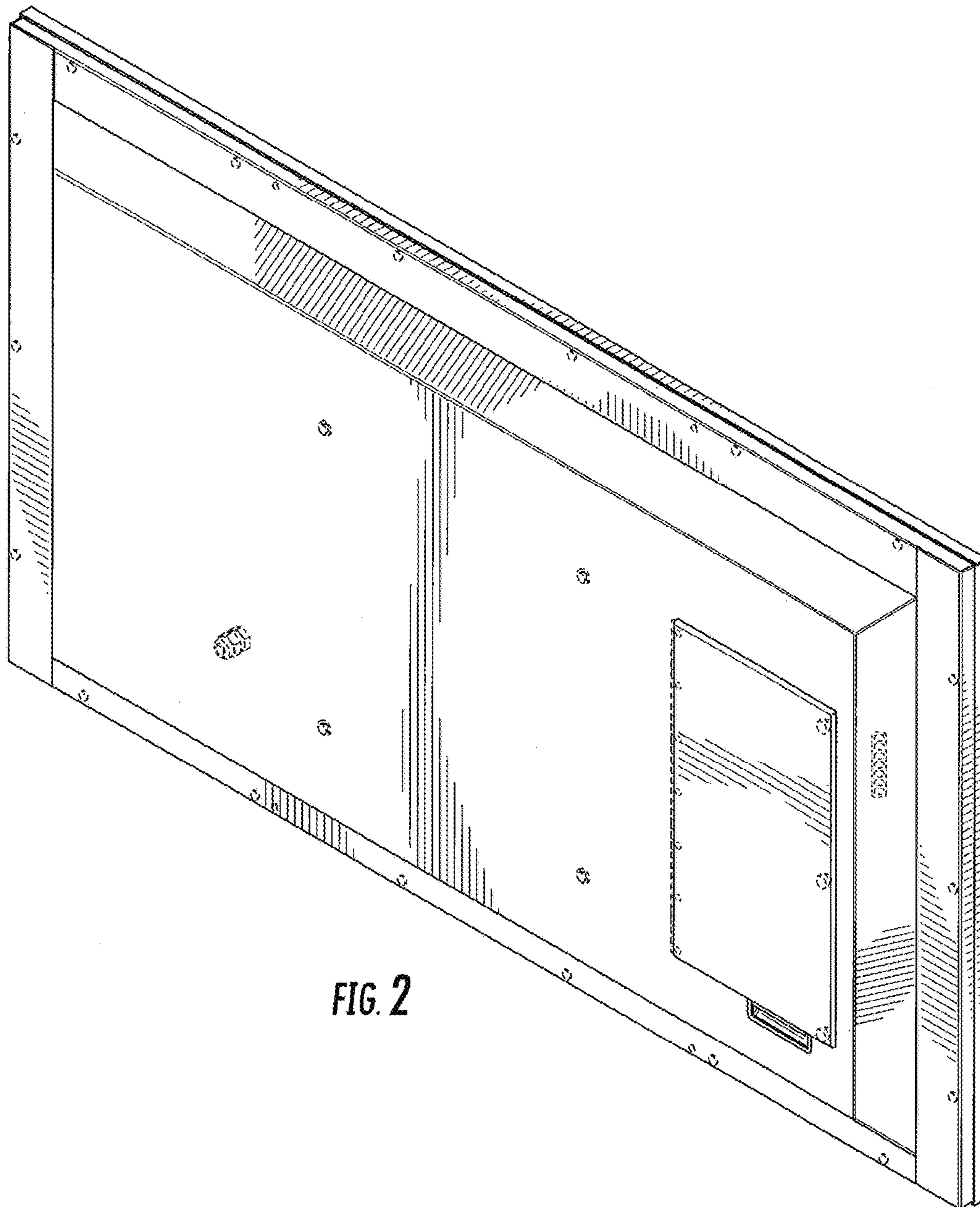


FIG. 2

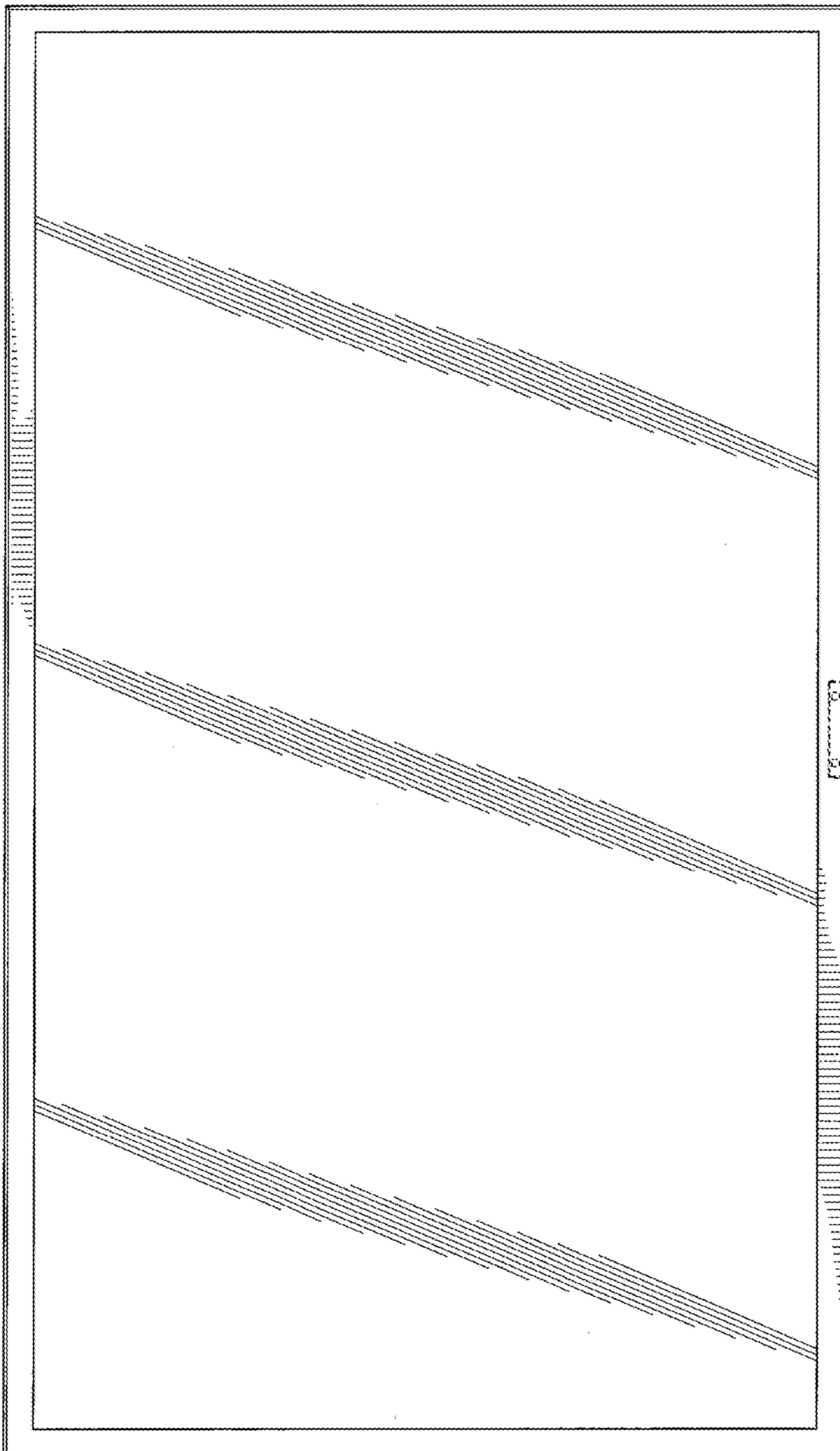


FIG. 3

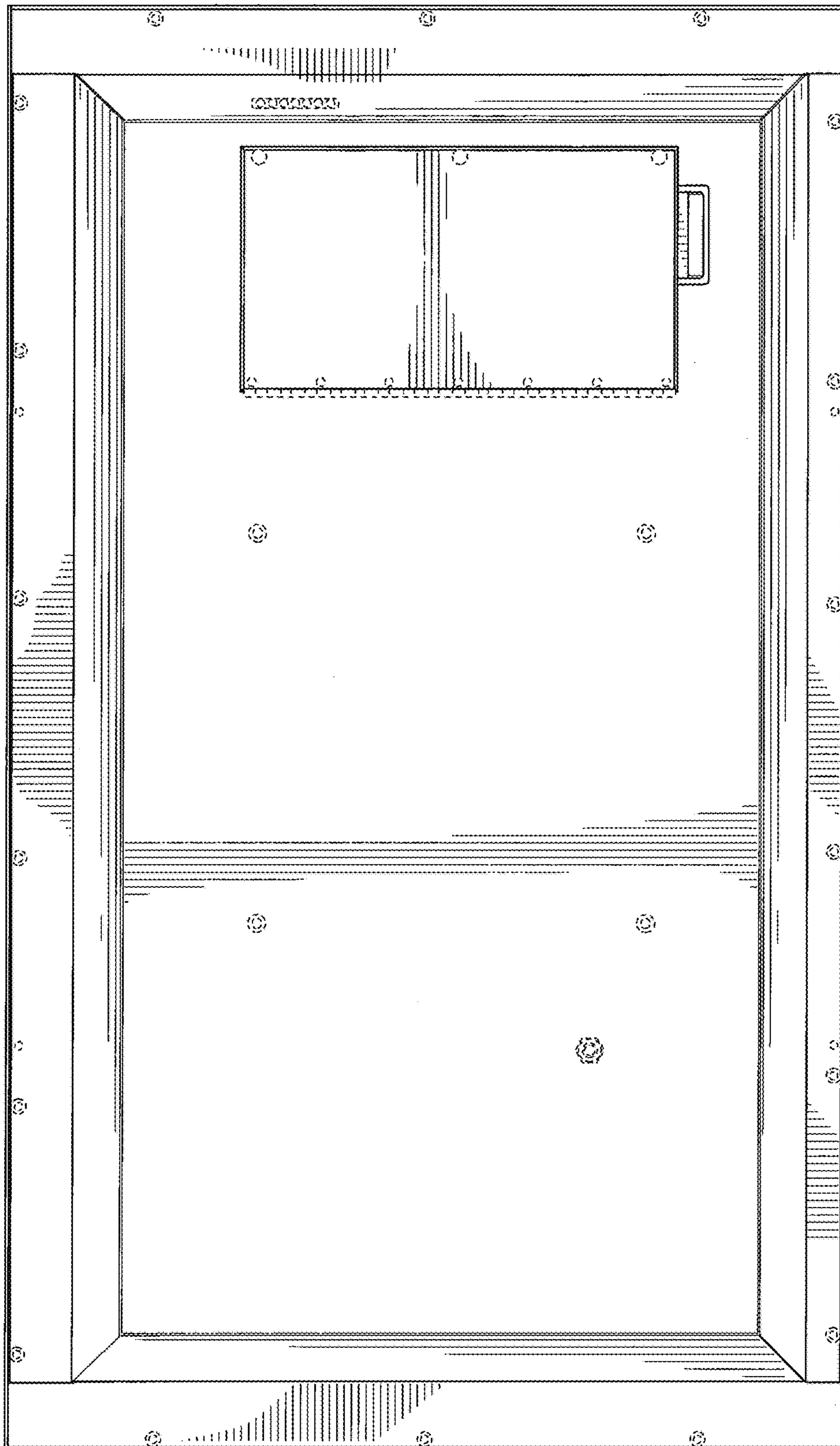


FIG. 4

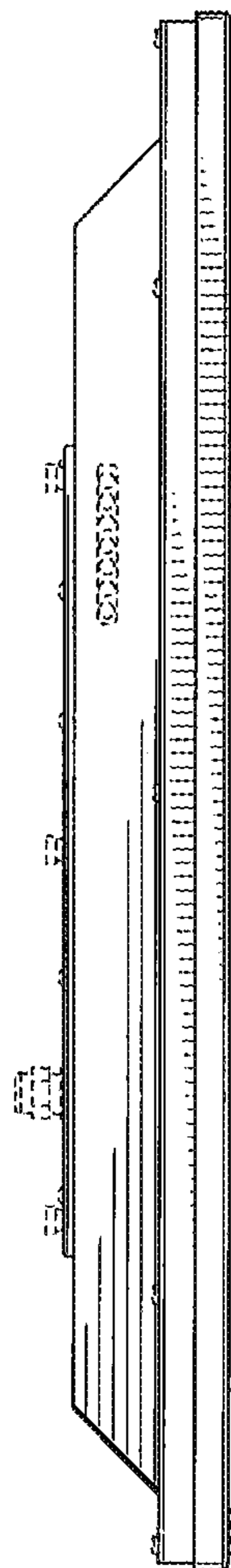


FIG. 5

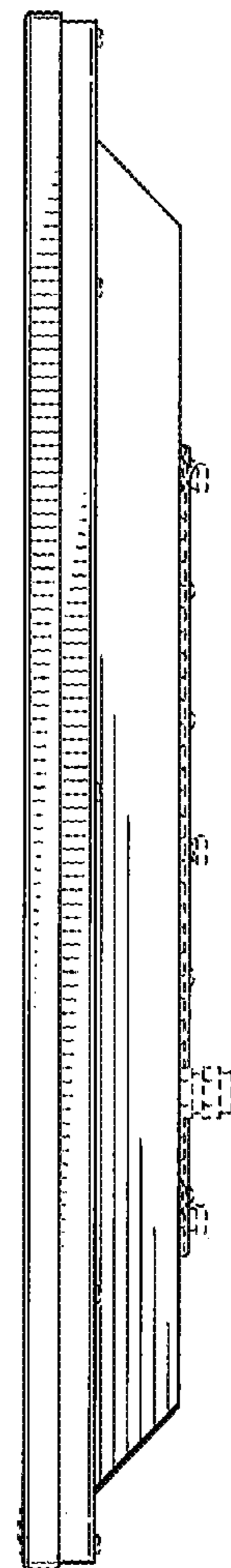


FIG. 6

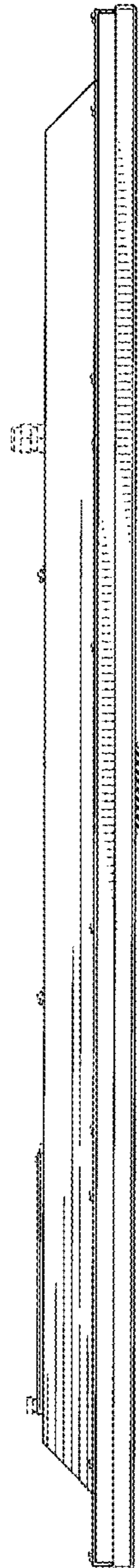


FIG. 7

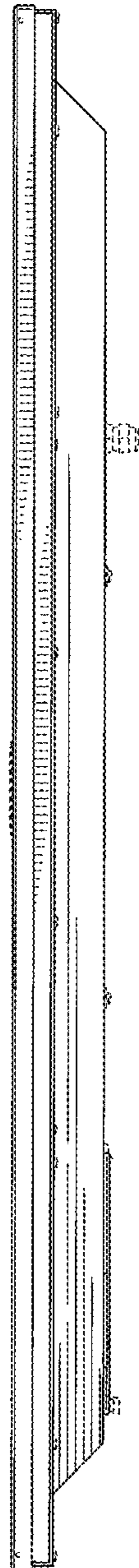


FIG. 8