



US00D805479S

(12) **United States Design Patent** (10) **Patent No.:** **US D805,479 S**
Lin (45) **Date of Patent:** **** Dec. 19, 2017**

(54) **SOCKET ADAPTER**

(71) Applicant: **Yuying Lin**, Lufeng (CN)

(72) Inventor: **Yuying Lin**, Lufeng (CN)

(**) Term: **15 Years**

(21) Appl. No.: **29/527,578**

(22) Filed: **May 20, 2015**

(51) **LOC (10) Cl.** **13-03**

(52) **U.S. Cl.**
USPC **D13/137.2**

(58) **Field of Classification Search**
USPC D13/137.1-137.2, 138.1, 138.2, 139.6,
D13/156, 110, 152, 108; D7/641;
D14/356; 439/172, 131, 171
CPC H01R 27/02; H01R 31/06; H01R 13/4534
See application file for complete search history.

D742,825 S * 11/2015 Tsou D13/108
D751,038 S * 3/2016 Lin D13/137.2
D755,127 S * 5/2016 Wong D13/137.2
D758,312 S * 6/2016 Lin D13/137.2
D765,037 S * 8/2016 Hebert D13/156
D771,039 S * 11/2016 Windstrup D14/356
D776,057 S * 1/2017 Burke D13/137.2
D776,493 S * 1/2017 McConnell D7/641
D777,107 S * 1/2017 Ji D13/137.2

* cited by examiner

Primary Examiner — Rhea Shields
(74) *Attorney, Agent, or Firm* — Schmeiser Olsen & Watts LLP

(56) **References Cited**

U.S. PATENT DOCUMENTS

D465,200 S * 11/2002 Duryea D13/137.3
D480,358 S * 10/2003 Klant D13/110
D515,031 S * 2/2006 Woolley D13/137.2
7,445,513 B1 * 11/2008 Lee H01R 31/06
439/131
D657,314 S * 4/2012 Ruffner D13/139.1
D682,220 S * 5/2013 Lee D13/152
D702,639 S * 4/2014 Ruffner D13/110
8,702,436 B2 * 4/2014 Lee H01R 27/02
439/172
8,734,168 B2 * 5/2014 Lee H01R 13/4534
439/171
D720,695 S * 1/2015 Shen D13/110
D741,265 S * 10/2015 Lee D13/137.2

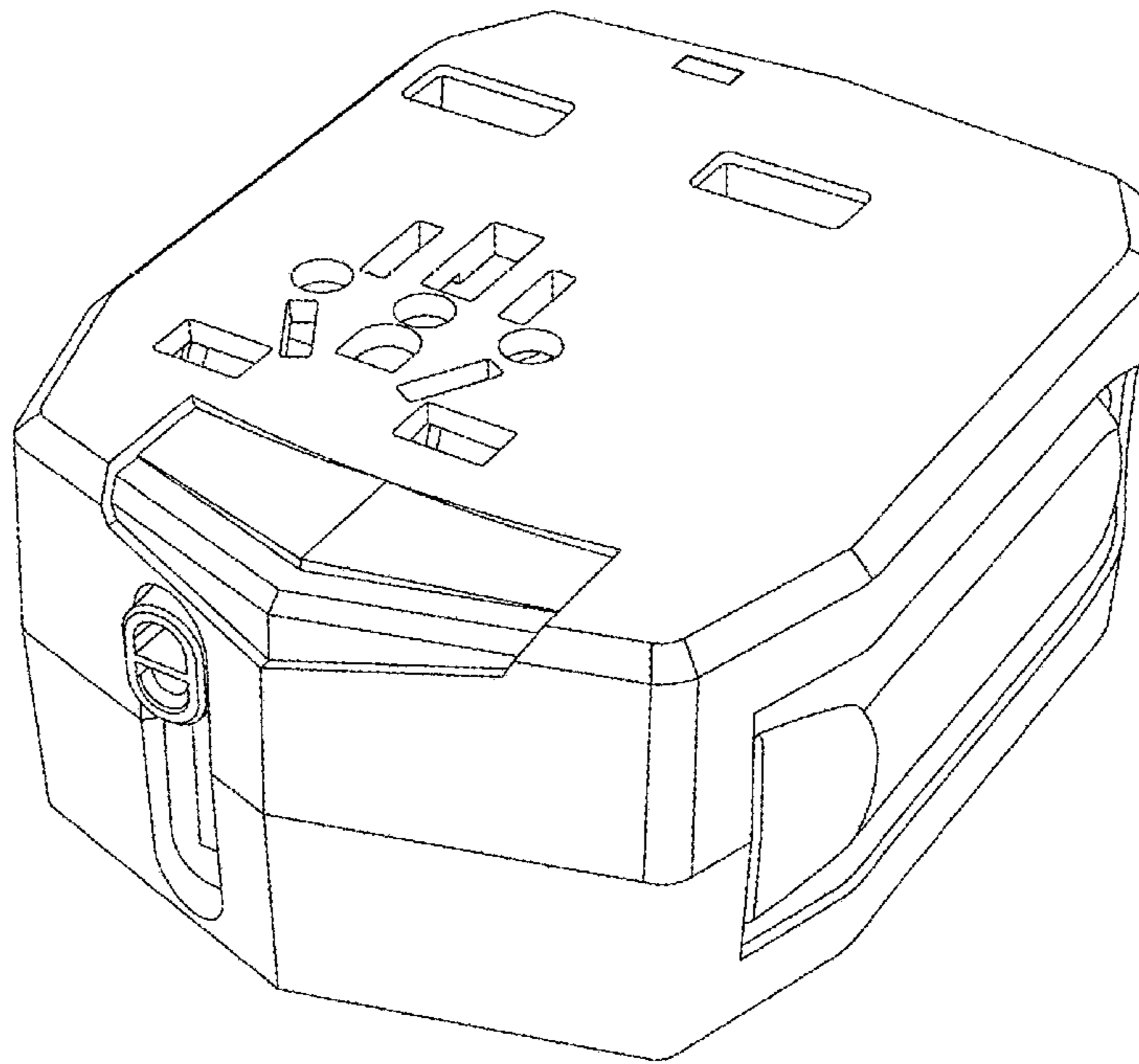
(57) **CLAIM**

The ornamental design for a socket adapter, as shown and described.

DESCRIPTION

FIG. 1 is a front perspective view of a socket adapter showing my new design;
FIG. 2 is a front elevation view thereof;
FIG. 3 is a rear elevation view thereof;
FIG. 4 is a top plan view thereof;
FIG. 5 is a bottom plan view thereof;
FIG. 6 is a left side elevation view thereof; and,
FIG. 7 is a right side elevation view thereof.
In the drawings, the broken lines are for the purpose of illustrating environment only and form no part of the claimed design.

1 Claim, 7 Drawing Sheets



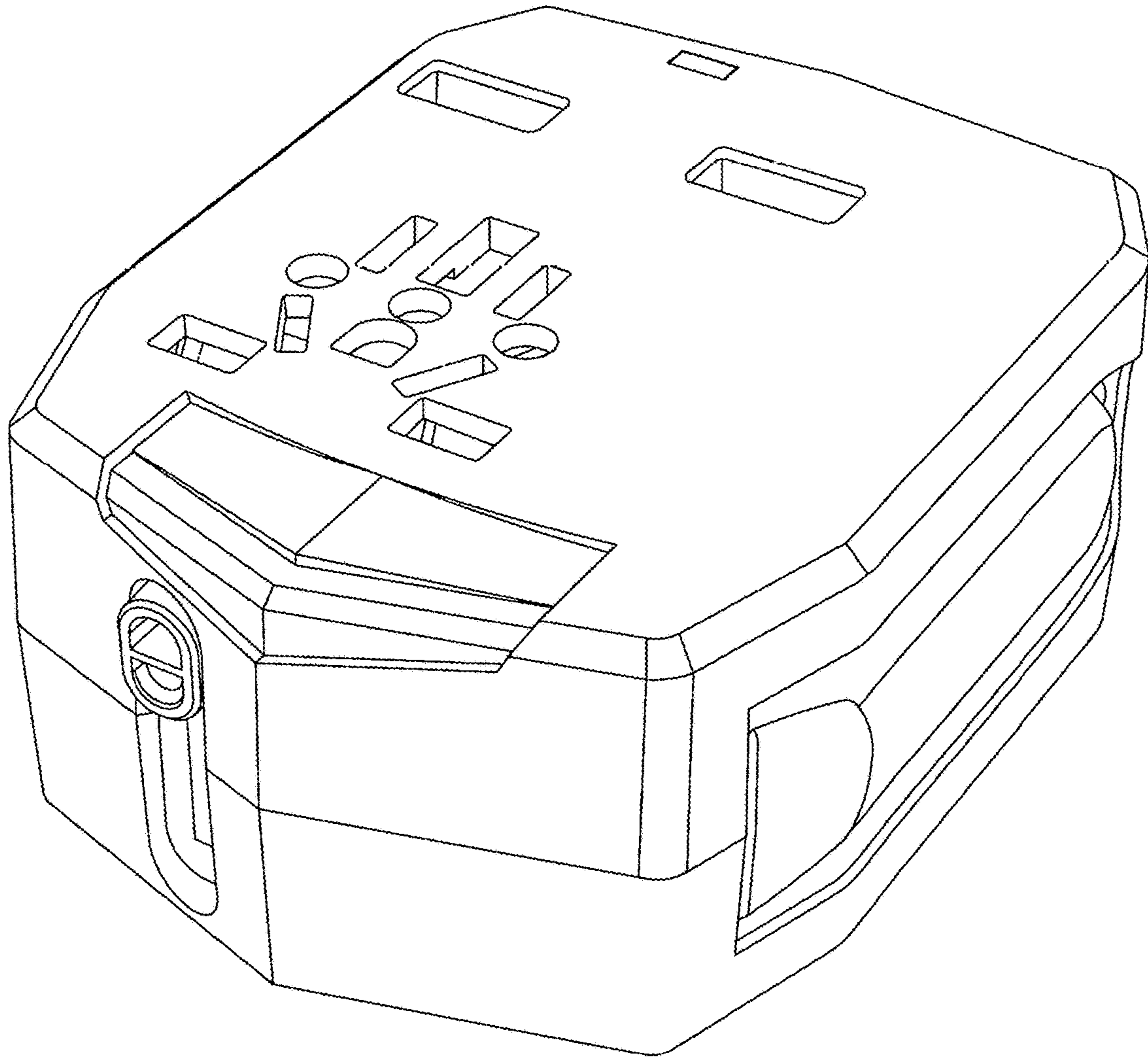


FIG. 1

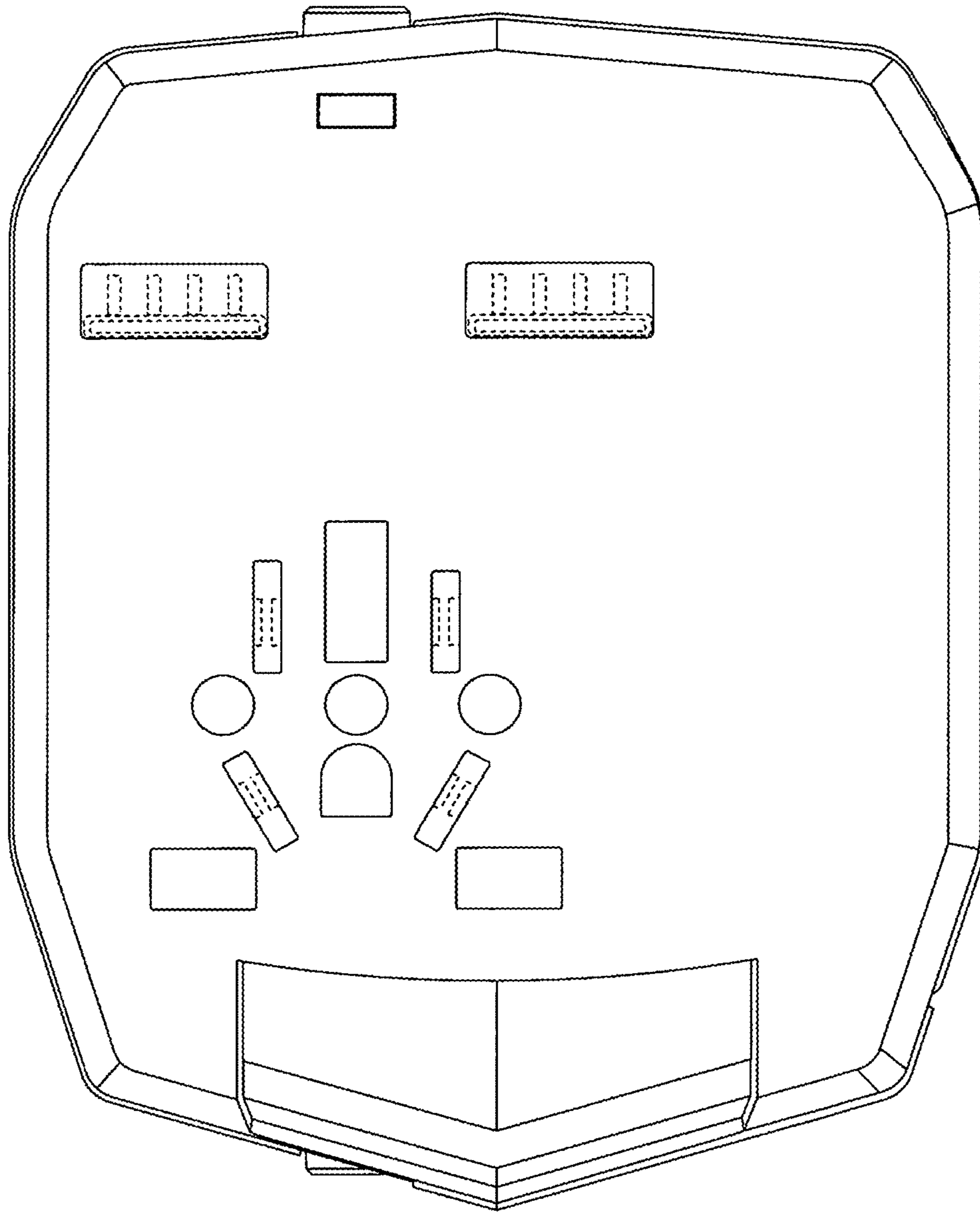


FIG. 2

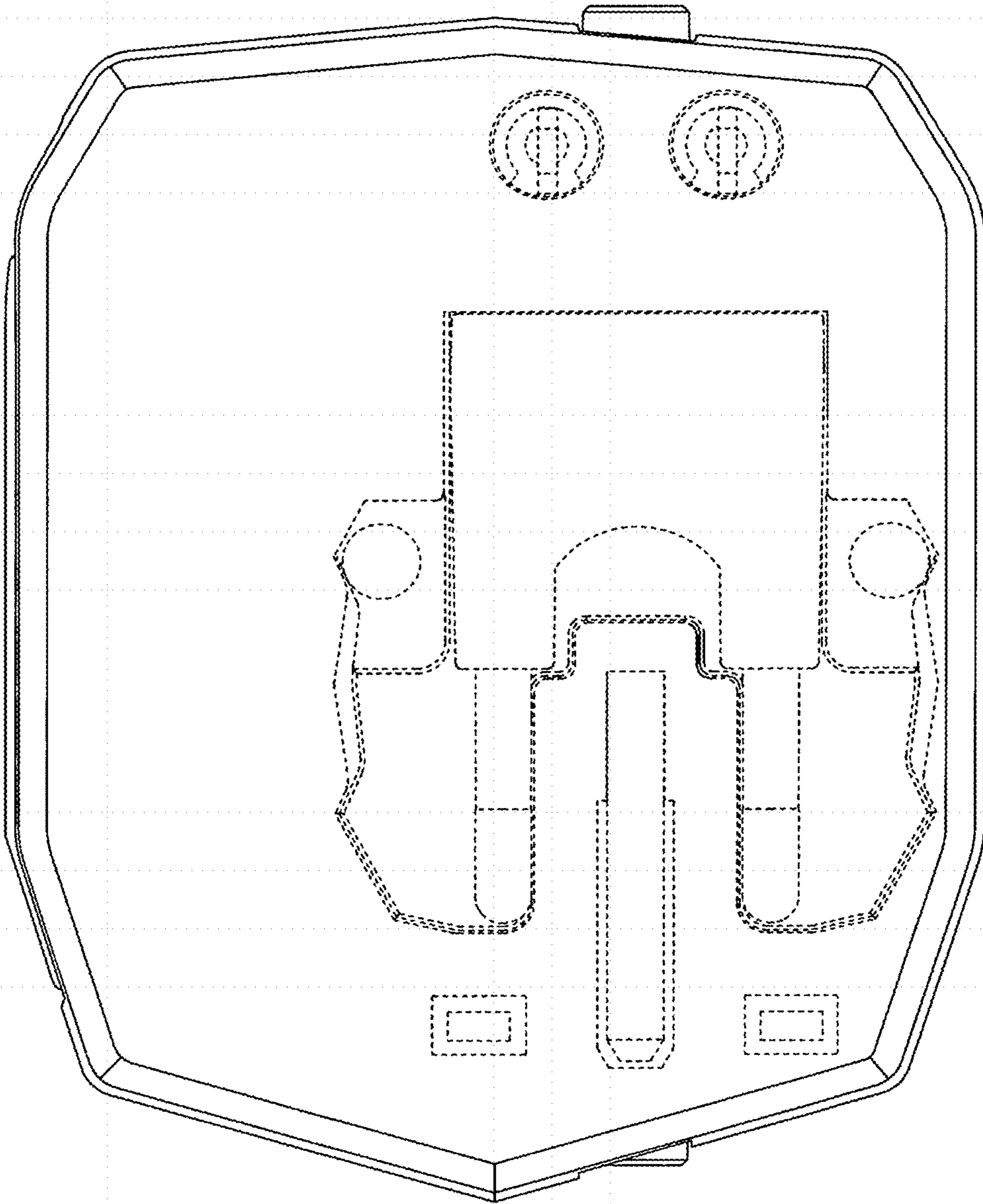


FIG. 3

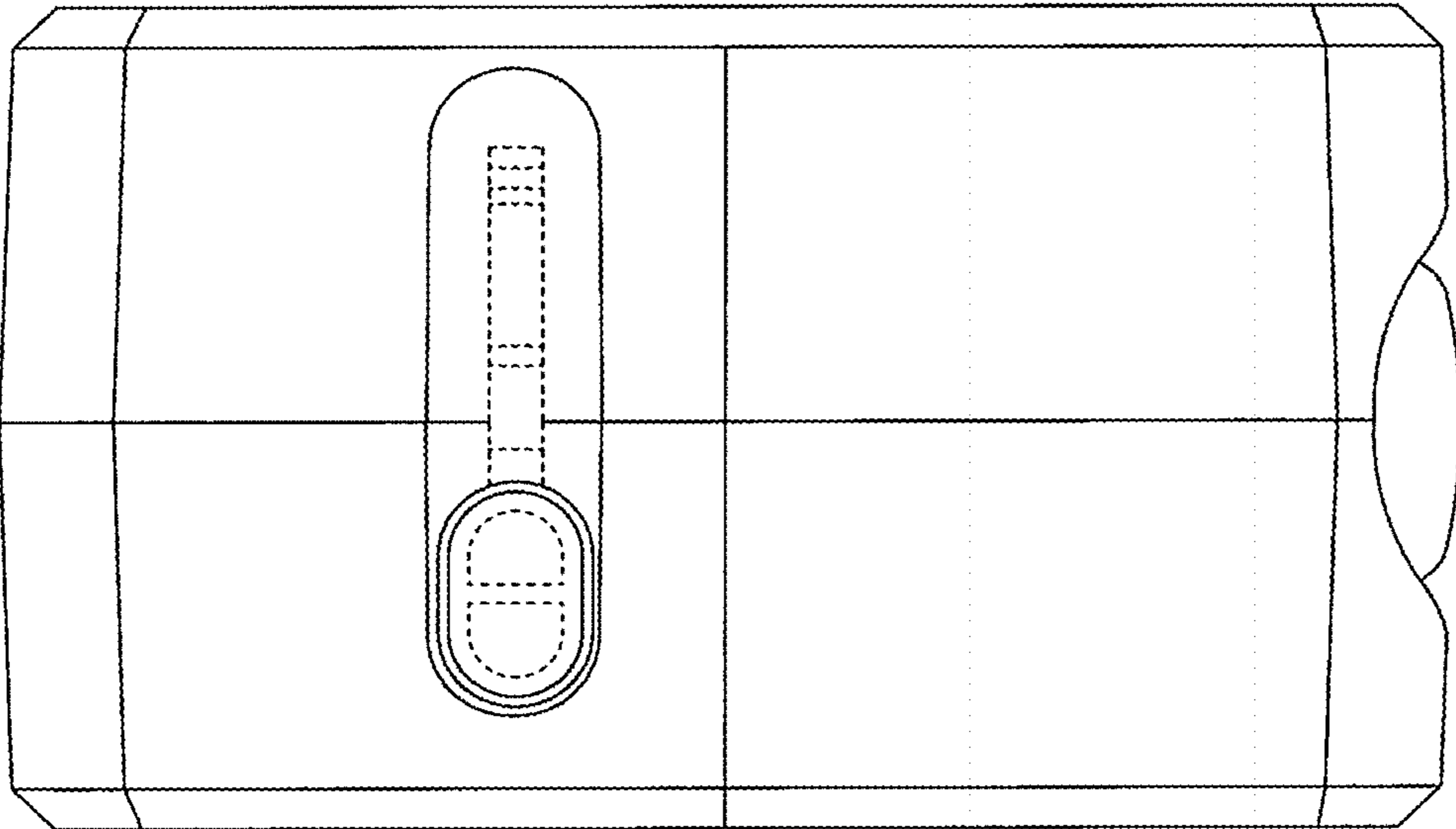


FIG. 4

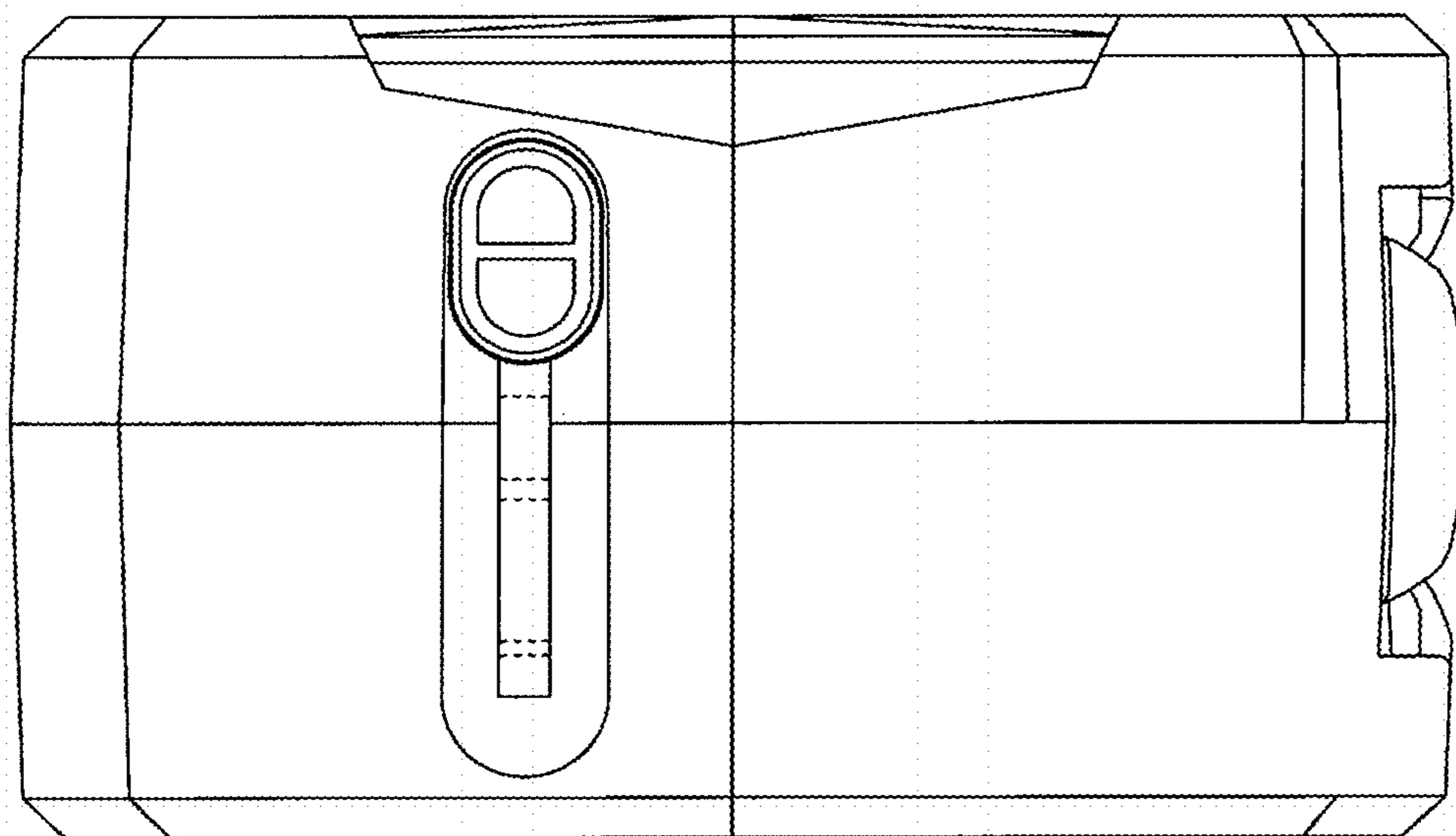


FIG. 5

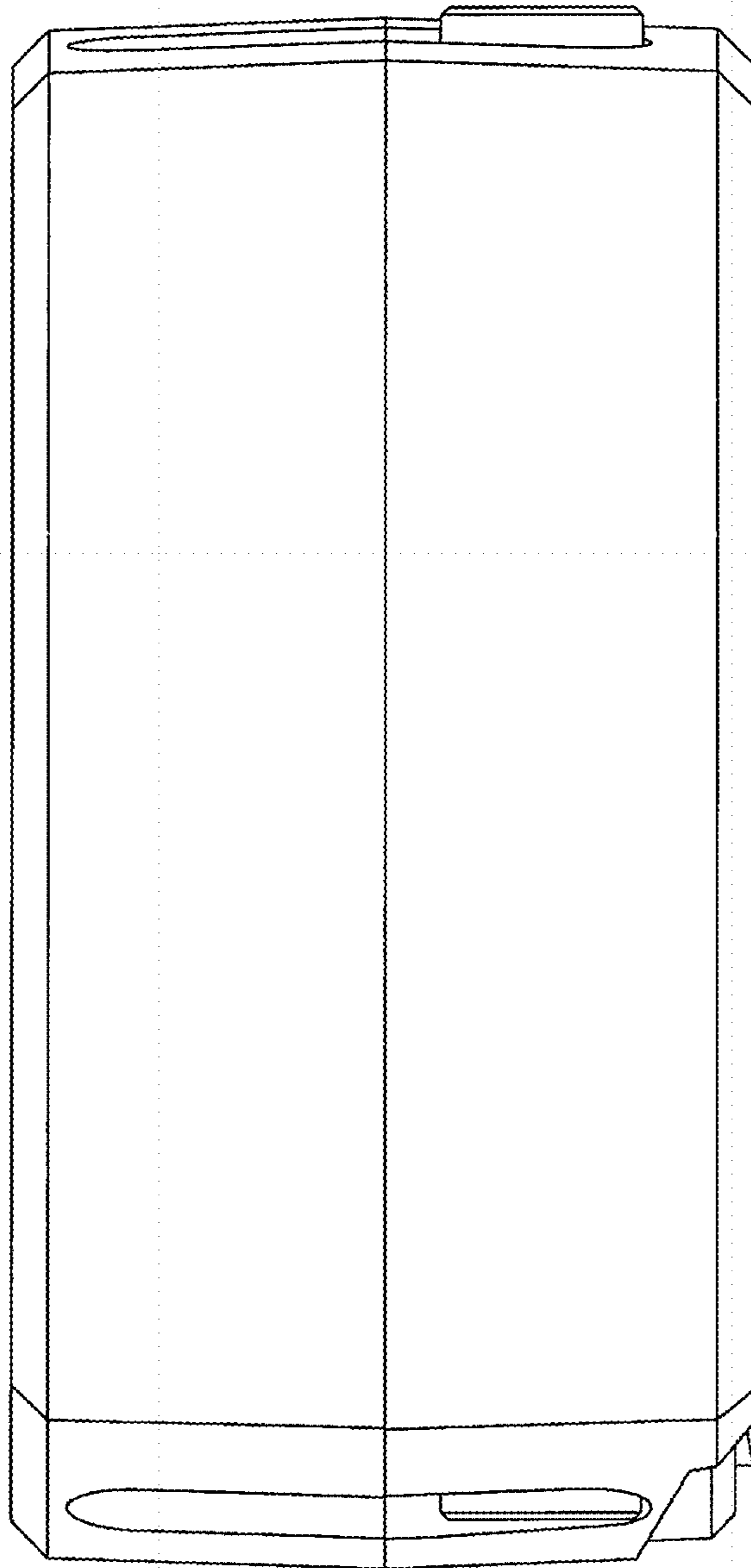


FIG. 6

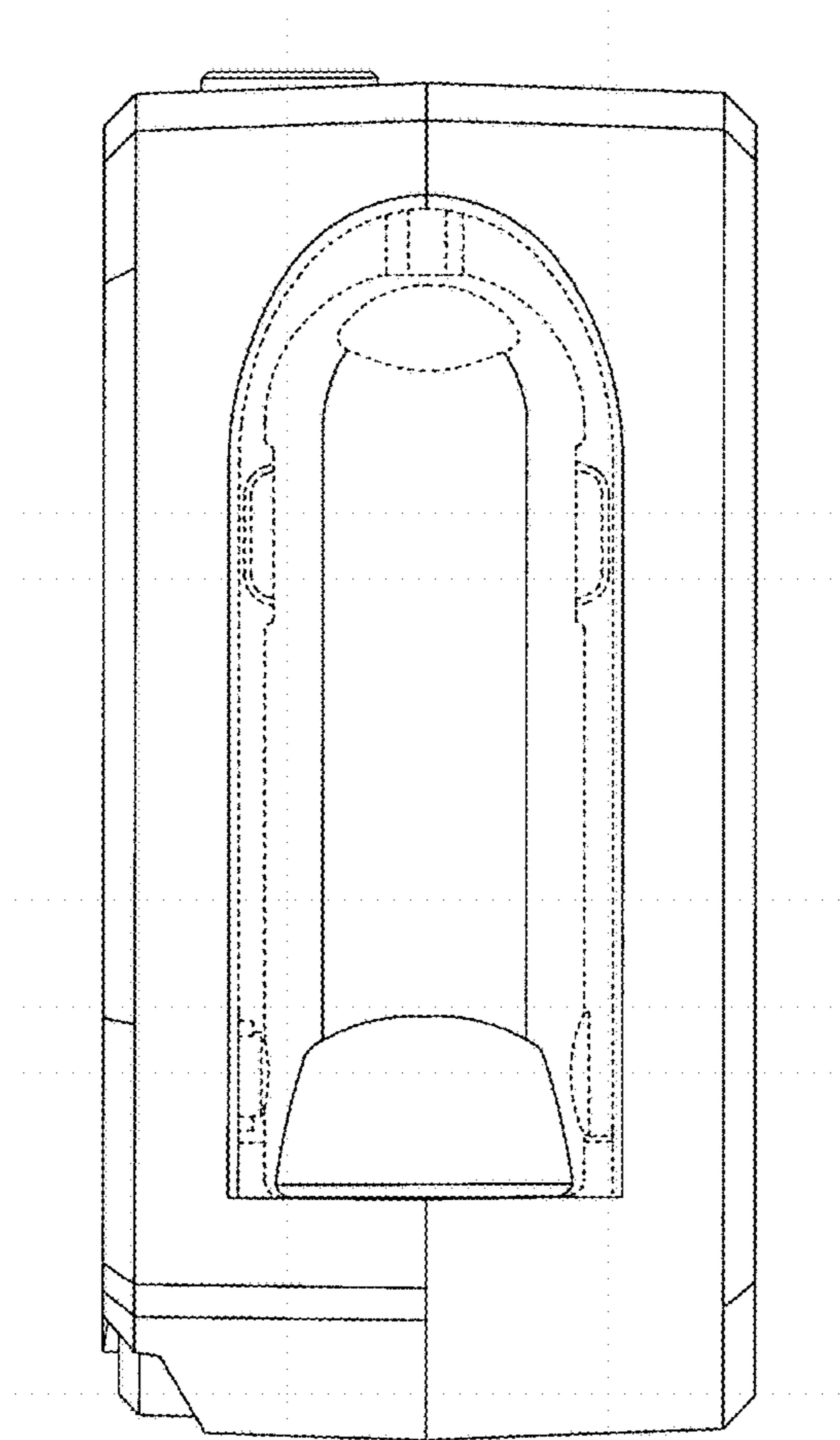


FIG. 7