



US00D805474S

(12) **United States Design Patent** (10) **Patent No.:** **US D805,474 S**
Bills et al. (45) **Date of Patent:** **** Dec. 19, 2017**

(54) **VORTEX PROPELLER**

(71) Applicants: **Chris Bills**, Provo, UT (US); **Donald E. Moriarty**, Provo, UT (US)

(72) Inventors: **Chris Bills**, Provo, UT (US); **Donald E. Moriarty**, Provo, UT (US)

(**) Term: **15 Years**

(21) Appl. No.: **29/585,960**

(22) Filed: **Nov. 30, 2016**

(51) **LOC (10) Cl.** **13-01**

(52) **U.S. Cl.**
 USPC **D13/115**

(58) **Field of Classification Search**
 USPC D15/5, 4; D13/115, 101; D12/214
 CPC .. B63H 1/26; B63H 1/06; F03D 3/005; F03D 7/06; F03D 3/061; F03D 1/0608; F03D 1/0625; F03D 1/0633; F03D 1/0641; F03D 3/02; F03D 3/0409; F03D 7/0224; F03D 7/04; F03D 3/067
 See application file for complete search history.

2011/0006542 A1* 1/2011 Burrell, IV F03D 3/049
 290/55

2011/0081243 A1* 4/2011 Sullivan F03D 3/002
 416/120

2011/0081244 A1* 4/2011 Ro B63H 1/14
 416/176

2011/0164977 A1* 7/2011 Vallejo F03D 3/061
 416/145

2011/0206526 A1* 8/2011 Roberts F03D 3/02
 416/223 R

2011/0255975 A1* 10/2011 Perless F03D 3/061
 416/176

2012/0128500 A1* 5/2012 Perless F03D 3/061
 416/223 R

2012/0242088 A1* 9/2012 Raz F03B 17/061
 290/55

2013/0343891 A1* 12/2013 Rajakaruna F01D 5/023
 416/176

2015/0300177 A1* 10/2015 Mieremet F03D 1/06
 416/175

2017/0022970 A1* 1/2017 Bills B63H 1/26

* cited by examiner

Primary Examiner — T. Chase Nelson
Assistant Examiner — Ania Aman
 (74) *Attorney, Agent, or Firm* — Thorpe North & Western LLP

(56) **References Cited**

U.S. PATENT DOCUMENTS

4,218,175 A * 8/1980 Carpenter F03D 1/04
 415/219.1

5,997,242 A * 12/1999 Hecker F03B 3/12
 415/219.1

8,905,706 B2 * 12/2014 Bills F03D 1/0633
 415/72

D722,965 S * 2/2015 Perless D13/115

2007/0018464 A1* 1/2007 Becker F03D 3/02
 290/55

2008/0095631 A1* 4/2008 Bertony F03D 3/02
 416/197 A

2010/0196144 A1* 8/2010 Morris F03D 3/005
 415/147

2010/0278650 A1* 11/2010 Parker F03D 1/0633
 416/176

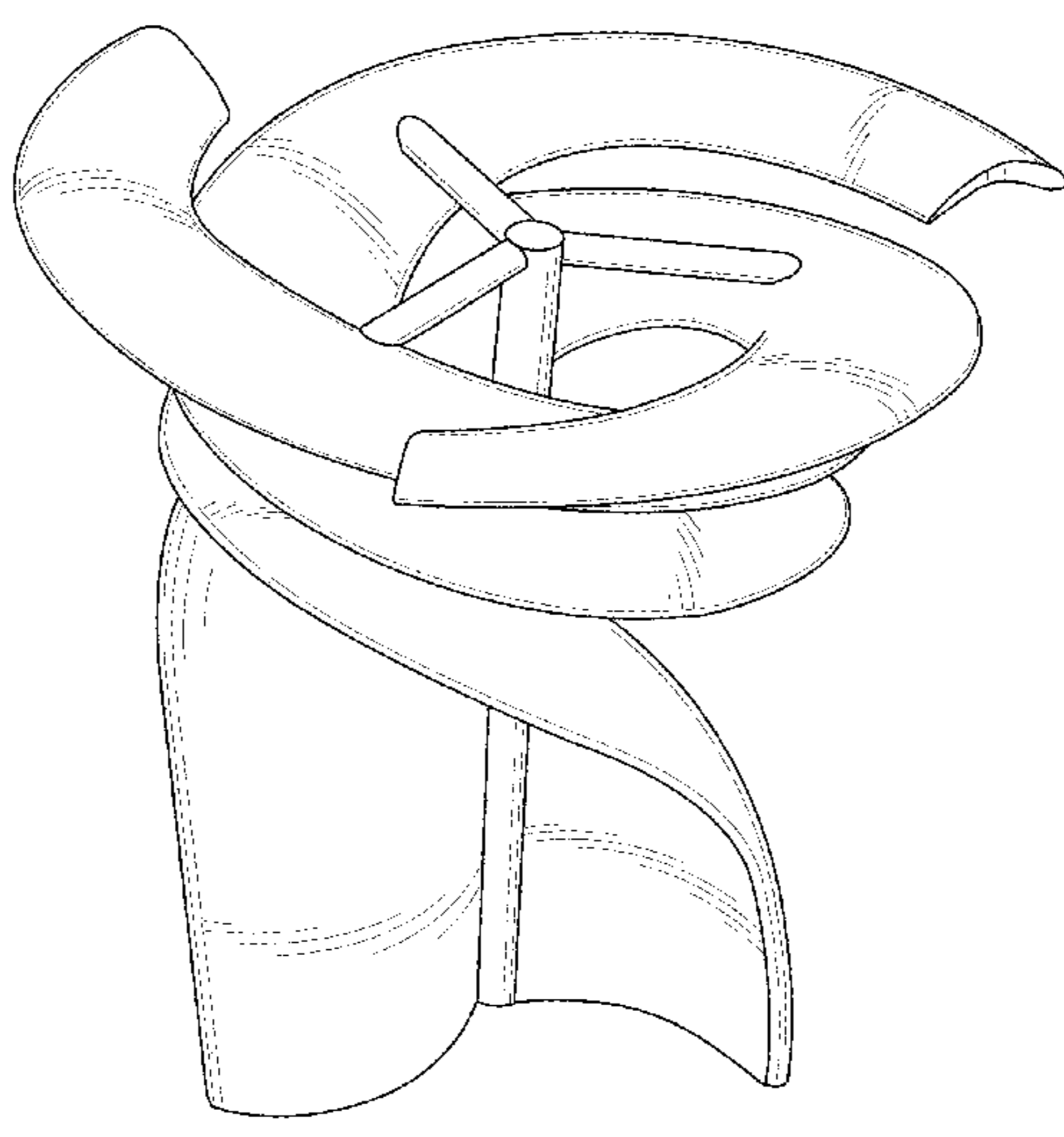
(57) **CLAIM**

The ornamental design for a vortex propeller, as shown and described.

DESCRIPTION

FIG. 1 is an elevated, perspective view of the vortex propeller in accordance with our invention;
 FIG. 2 is a front view thereof;
 FIG. 3 is back view of FIG. 1;
 FIG. 4 is a side view of FIG. 1;
 FIG. 5 is an opposite view of FIG. 4;
 FIG. 6 is a top view of FIG. 1; and,
 FIG. 7 is a bottom view of FIG. 1.

1 Claim, 7 Drawing Sheets



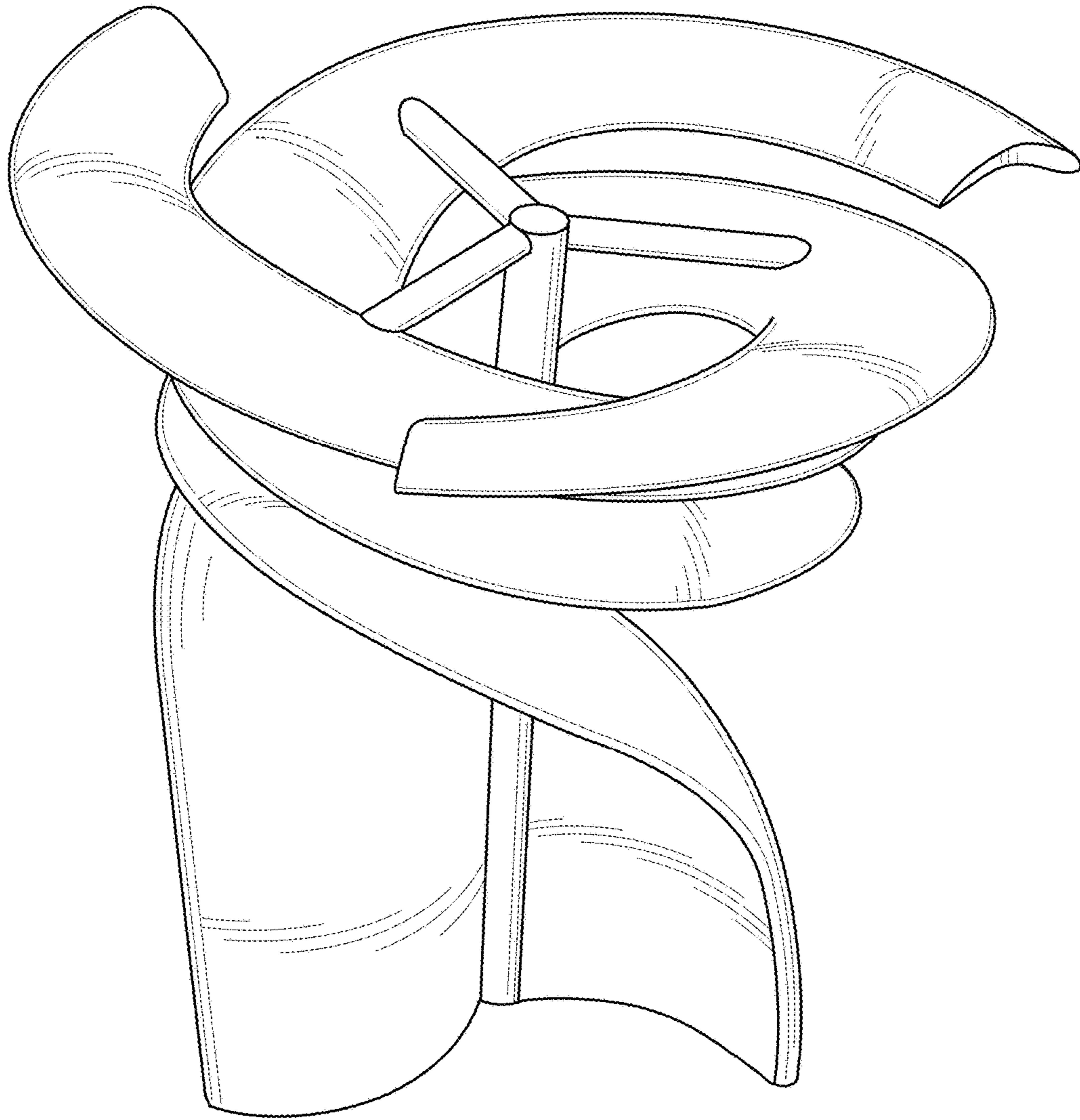


FIG. 1

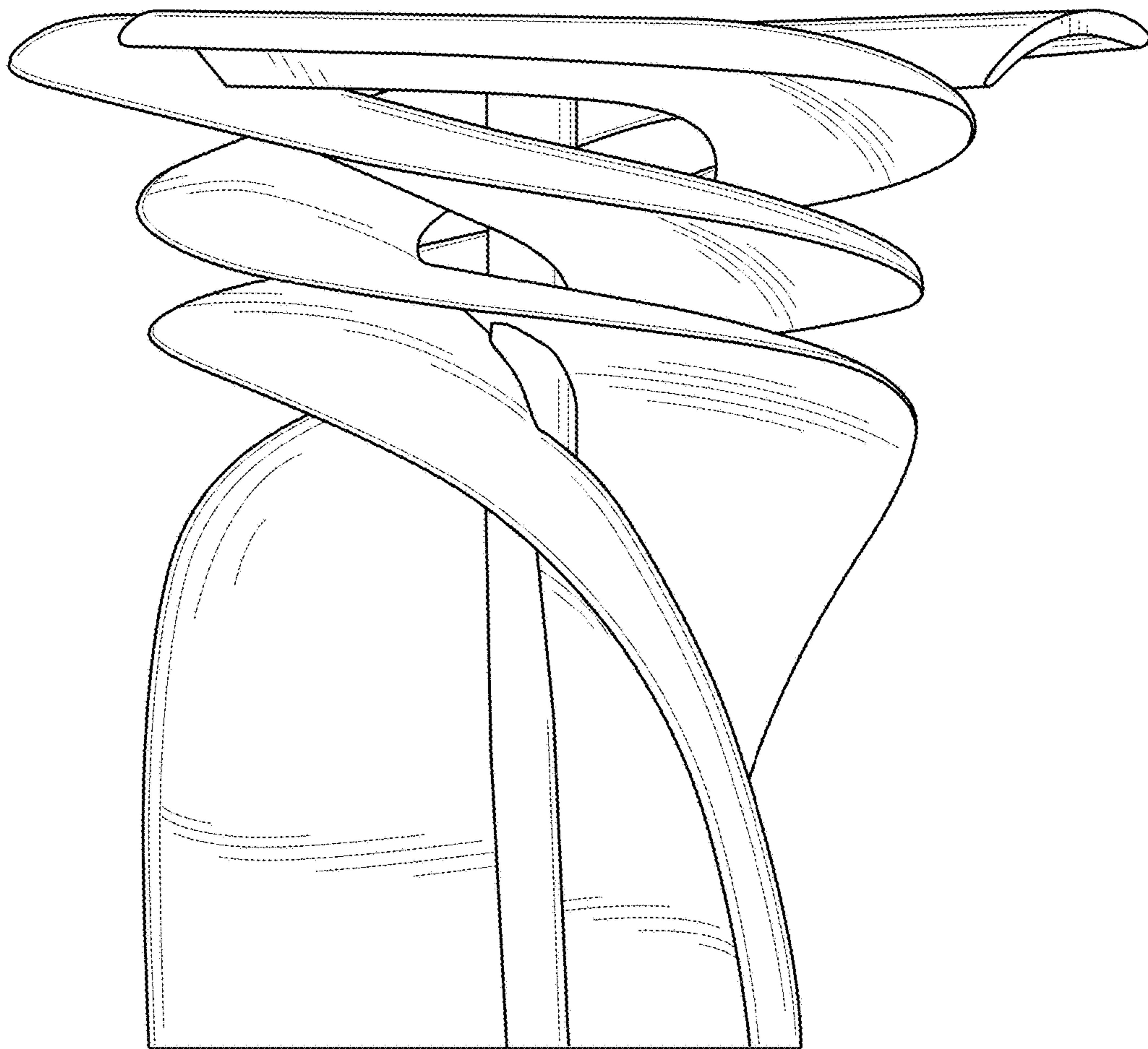


FIG. 2



FIG. 3

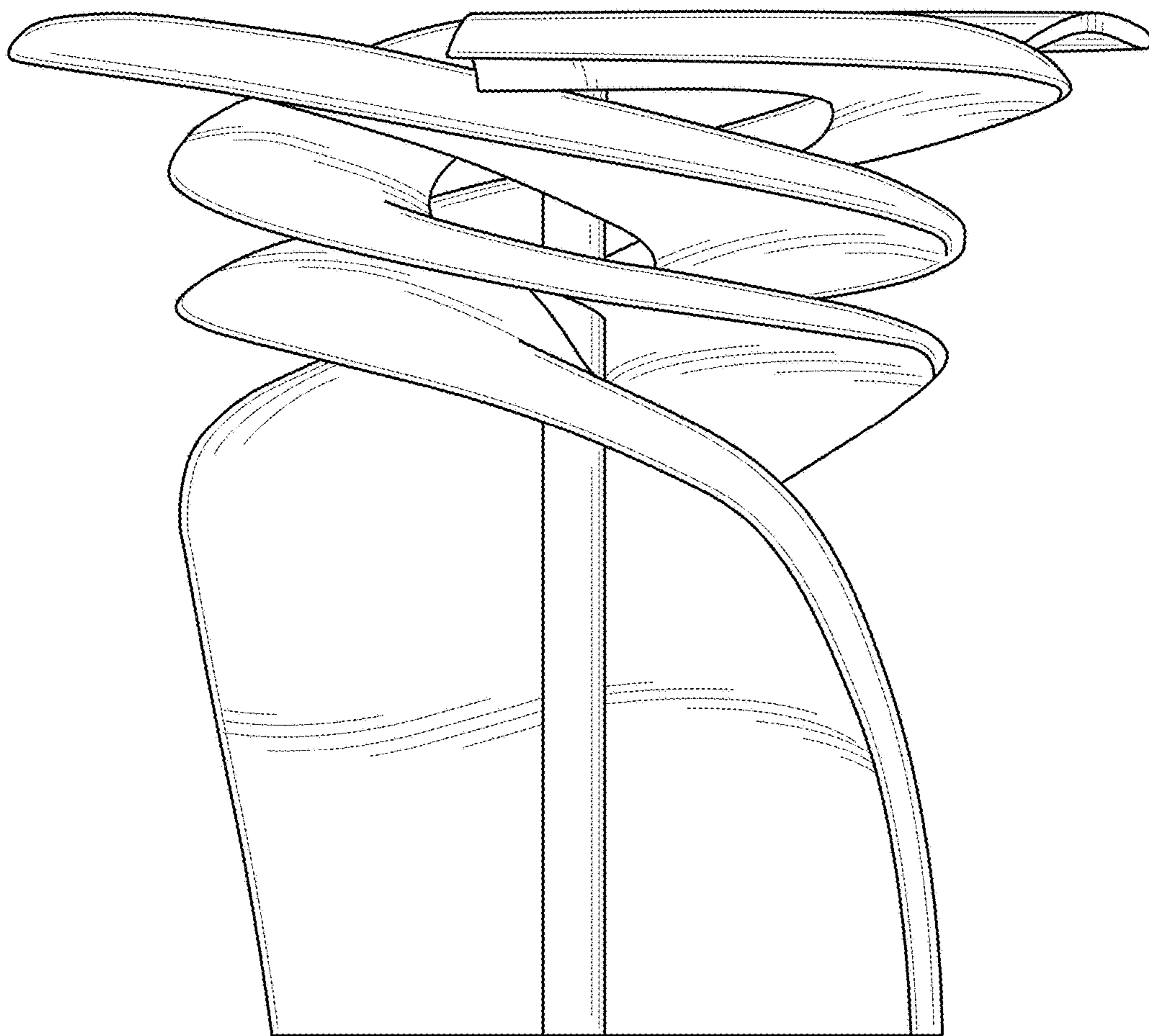


FIG. 4

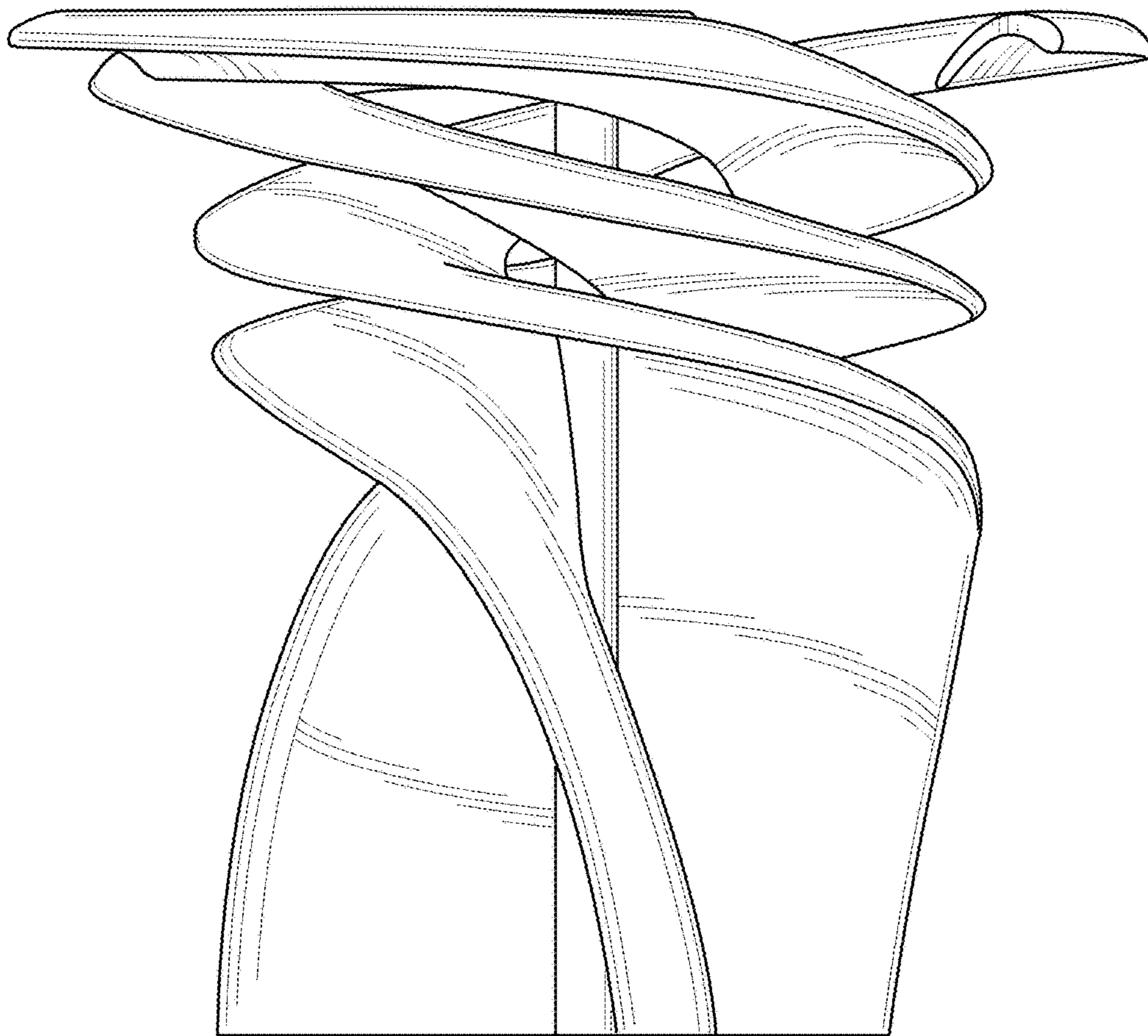


FIG. 5

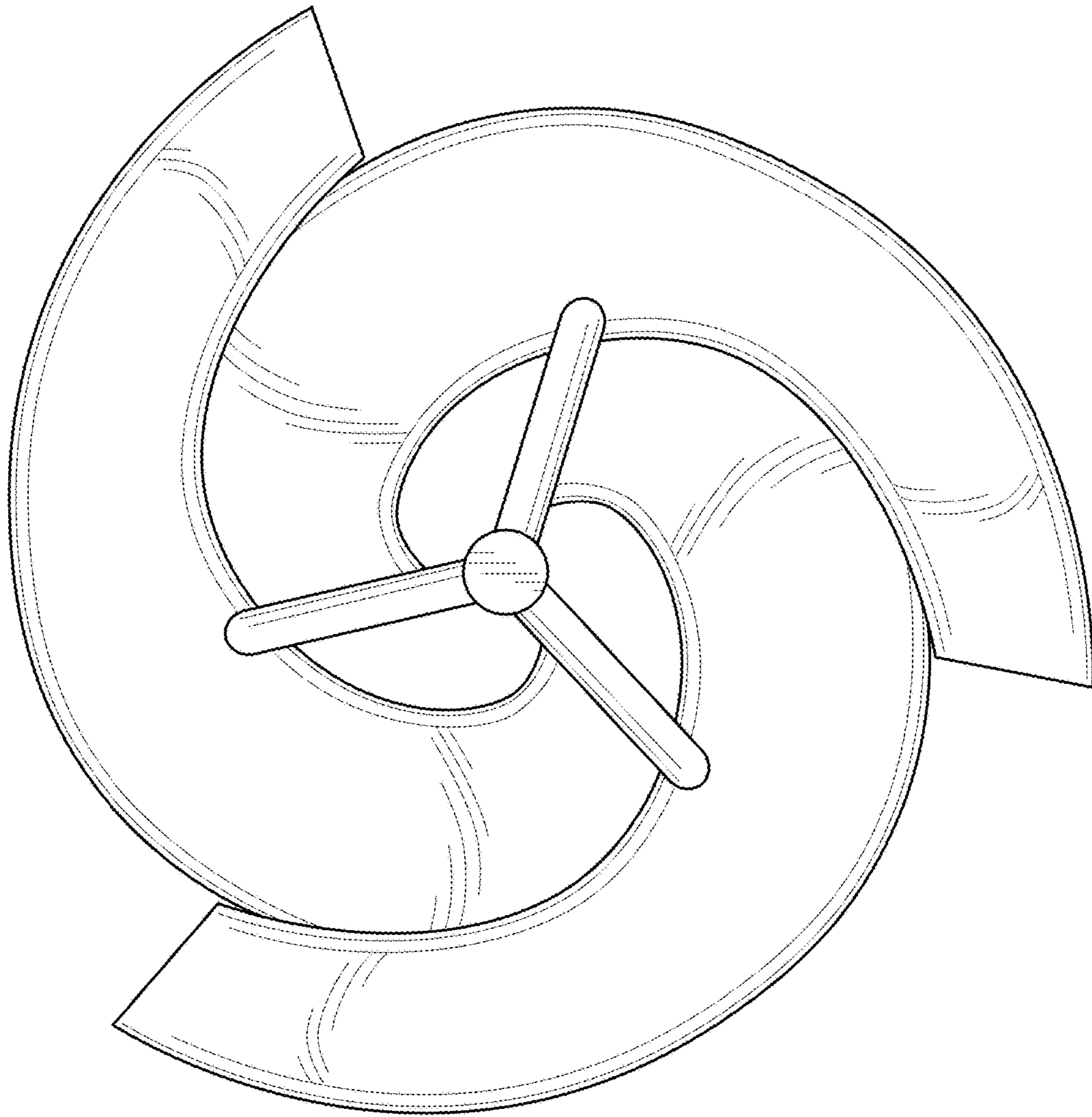


FIG. 6

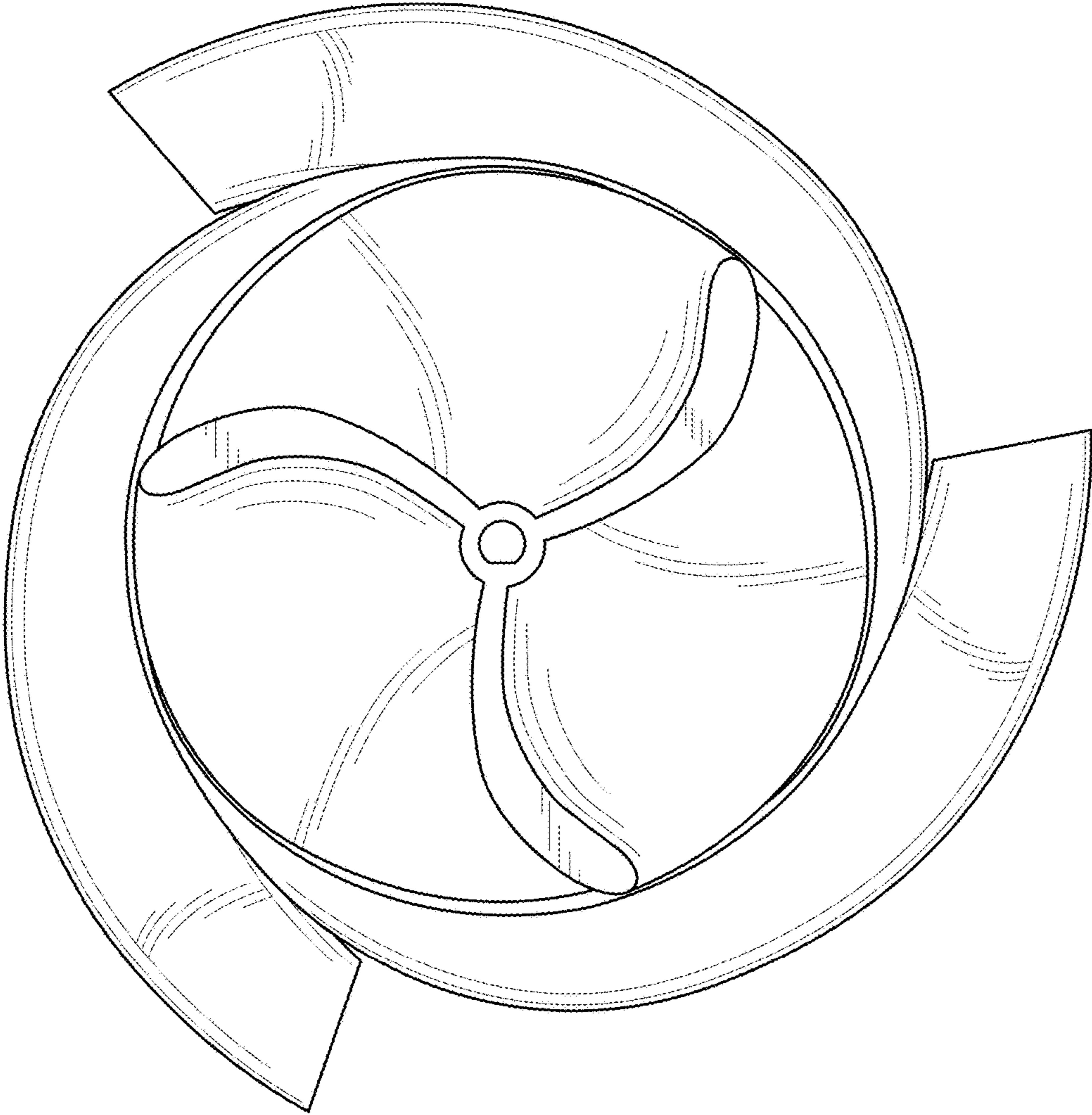


FIG. 7