



US00D805473S

(12) **United States Design Patent**
Montgomery et al.

(10) **Patent No.:** **US D805,473 S**

(45) **Date of Patent:** **** Dec. 19, 2017**

(54) **POWER INVERTER**

(71) Applicants: **Nicholas Montgomery**, The Villages,
FL (US); **Jose Eduardo Illidge**,
Hollywood, FL (US)

(72) Inventors: **Nicholas Montgomery**, The Villages,
FL (US); **Jose Eduardo Illidge**,
Hollywood, FL (US)

(**) Term: **15 Years**

(21) Appl. No.: **29/563,597**

(22) Filed: **May 5, 2016**

(51) **LOC (10) Cl.** **13-02**

(52) **U.S. Cl.**
USPC **D13/110**

(58) **Field of Classification Search**
USPC D13/101, 102, 107, 108, 110, 112, 118,
D13/119, 123, 133, 138.1, 162, 184, 199
CPC H02P 27/04; H02P 27/06; H02P 27/047;
H02P 2201/09; H02P 2201/11; H02M
2001/0067; H02M 2001/007; H02M
2001/0045; H02M 2001/0083; H02M
2001/009; G06F 1/00; G06F 1/188; G06F
1/189; G06F 1/26; G06F 11/2015; H01R
13/66; H01R 13/60; H01R 13/72; H01R
13/6675; H01R 31/065; H05K 5/0021;
H05K 5/0208; H05K 5/0247; H05K 5/00
See application file for complete search history.

(56) **References Cited**

U.S. PATENT DOCUMENTS

D332,443	S	*	1/1993	Sharpe	D13/184
D365,082	S	*	12/1995	Cook, II	D13/110
5,949,640	A	*	9/1999	Cameron	H02M 7/003 361/600
D427,146	S	*	6/2000	Wei	D13/110
D427,148	S	*	6/2000	Wei	D13/110
D551,621	S	*	9/2007	Iacovelli	D13/110
D558,142	S	*	12/2007	Cho	D13/110

D610,539	S	*	2/2010	Dahan	D13/110
D704,638	S	*	5/2014	Inskeep	D13/110
D716,730	S	*	11/2014	Liu	D13/110
D727,846	S	*	4/2015	Wen	D13/110

(Continued)

OTHER PUBLICATIONS

Amazon.com: Thor Manufacturing THMS1000 Professional
Inverter. Published Oct. 27, 2016. Retrieved from the internet at
<[https://www.amazon.com/THOR-Manufacturing-THMS1000-
Professional-Inverter/](https://www.amazon.com/THOR-Manufacturing-THMS1000-Professional-Inverter/)>, Mar. 15, 2017. 1 page.*

Primary Examiner — Rosemary K Tarcza

Assistant Examiner — Christy Nemeth

(74) *Attorney, Agent, or Firm* — Allen D. Hertz, P.A.;
Allen D. Hertz

(57) **CLAIM**

The ornamental design for a power inverter, as shown and
described.

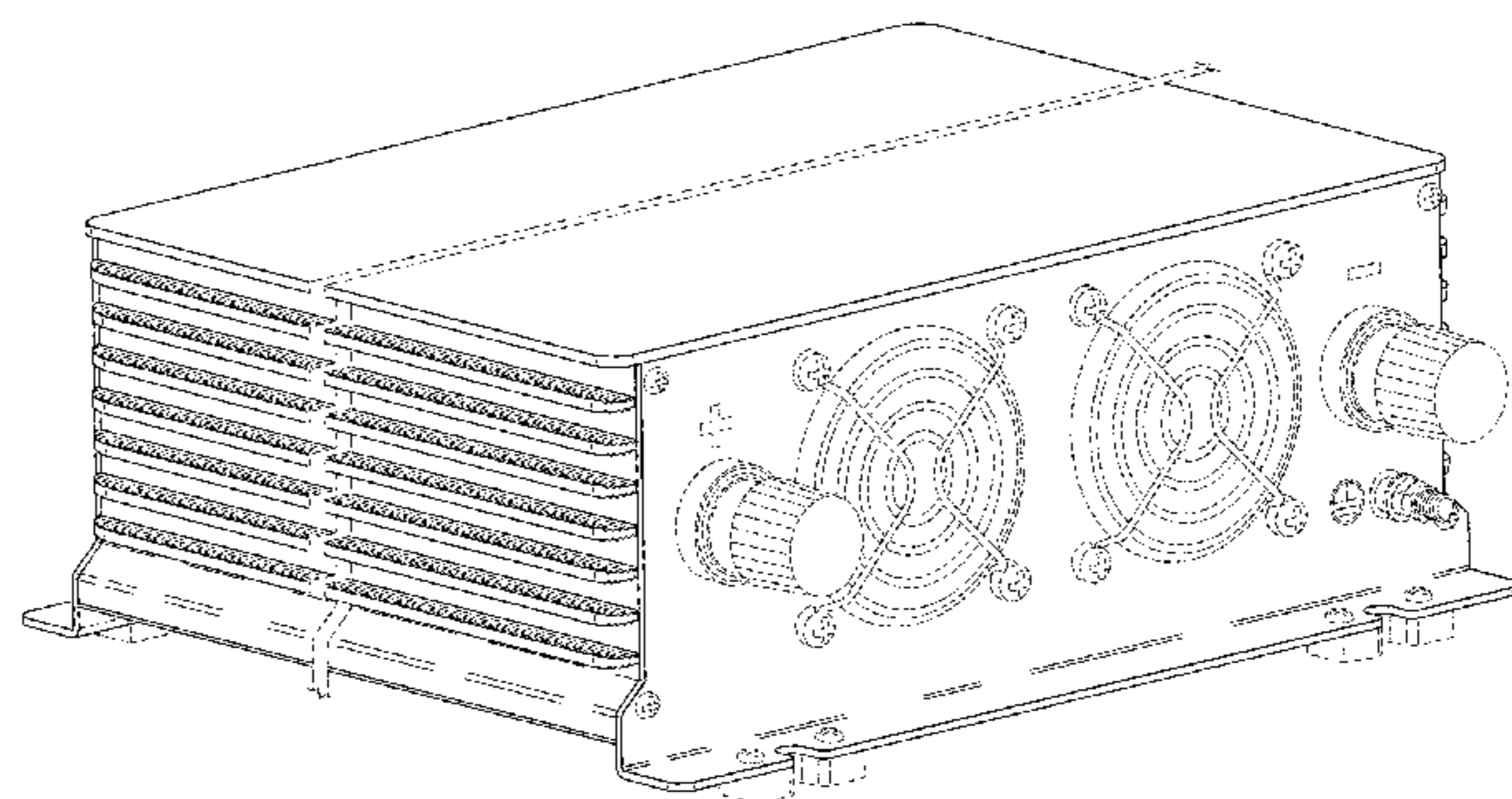
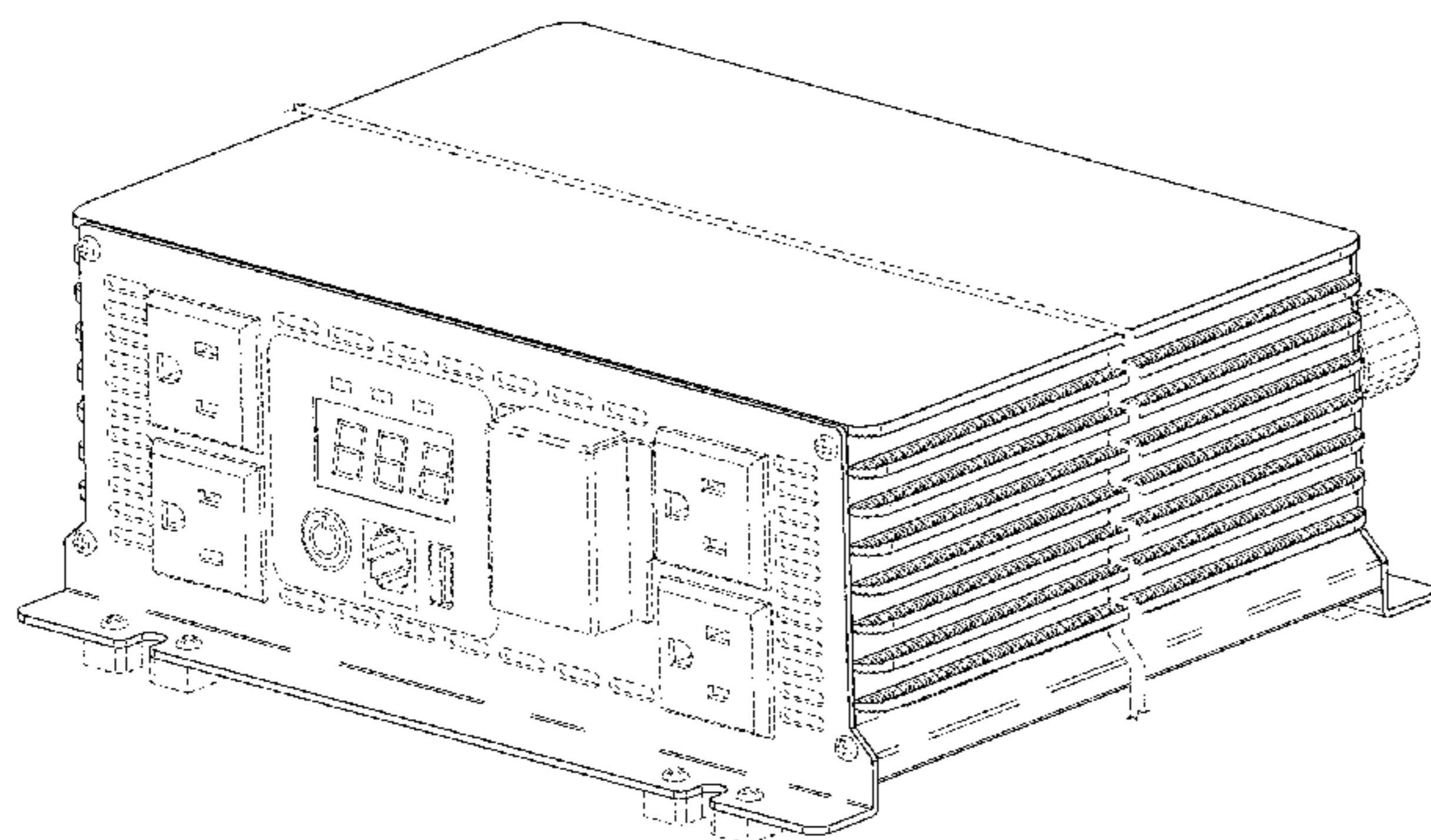
DESCRIPTION

FIG. 1 is an isometric top, front view of a first embodiment
of a power inverter;
FIG. 2 is an isometric top, rear view thereof;
FIG. 3 is a front view thereof;
FIG. 4 is a left side view thereof;
FIG. 5 is a rear view thereof;
FIG. 6 is a right side view thereof;
FIG. 7 is a top view thereof;
FIG. 8 is a bottom view thereof; and,
FIG. 9 is a front view of an alternate embodiment of the
power inverter.

The evenly spaced broken lines in the drawings are for the
purpose of illustrating elements of the power inverter that
form no part of the claimed design.

The power inverter is shown with a symbolic break in
length. The appearance of any portion of the article between
the break lines forms no part of the claimed design.

1 Claim, 9 Drawing Sheets



(56)

References Cited

U.S. PATENT DOCUMENTS

D739,347 S *	9/2015	Huang	D13/110
D742,826 S *	11/2015	Hetzroni	D13/110
D770,976 S *	11/2016	Xu	D13/110
D773,993 S *	12/2016	Hoffman	D13/110
2005/0200206 A1 *	9/2005	Hussaini	H02J 7/0042 307/150

* cited by examiner

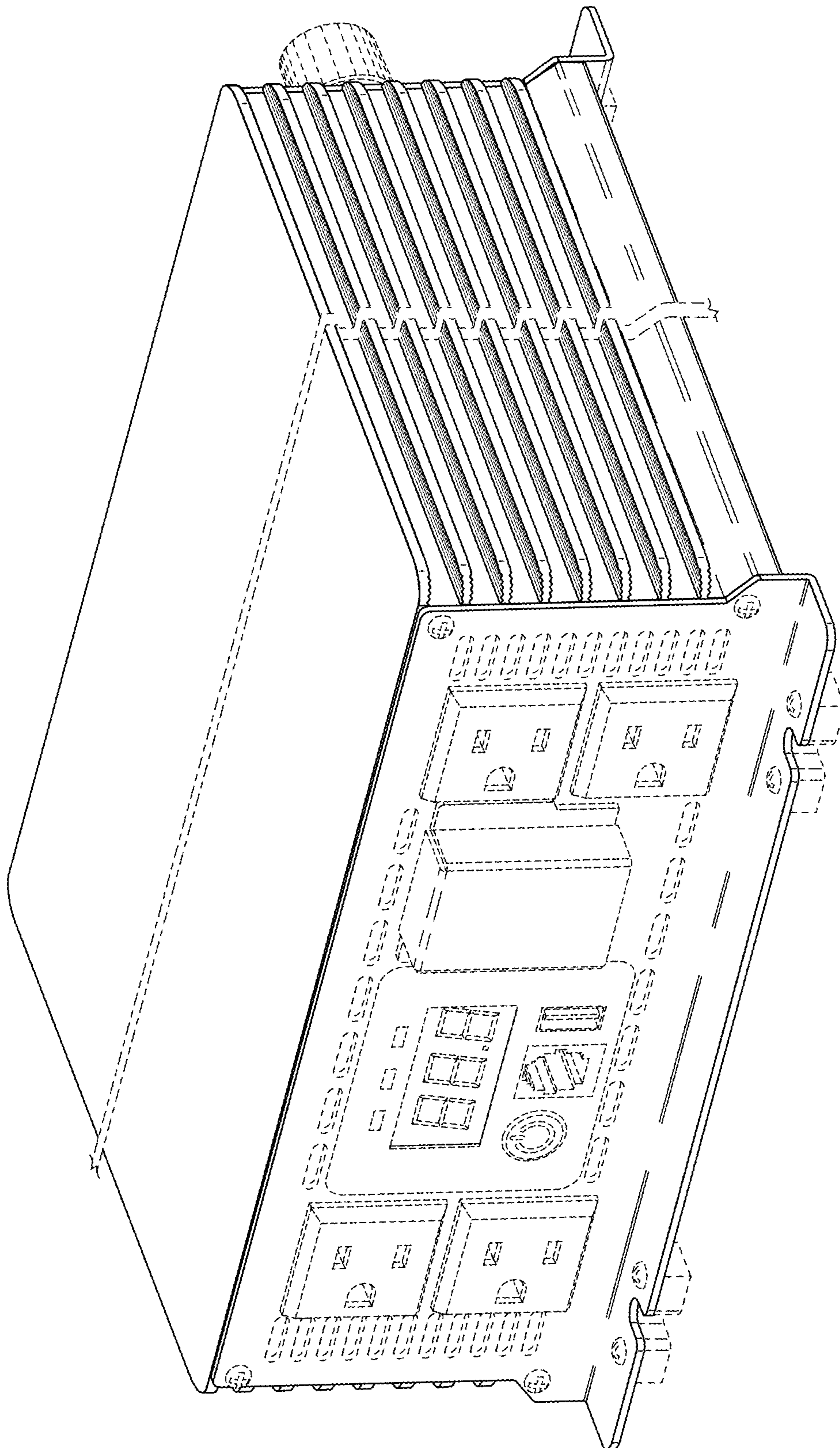


FIG. 1

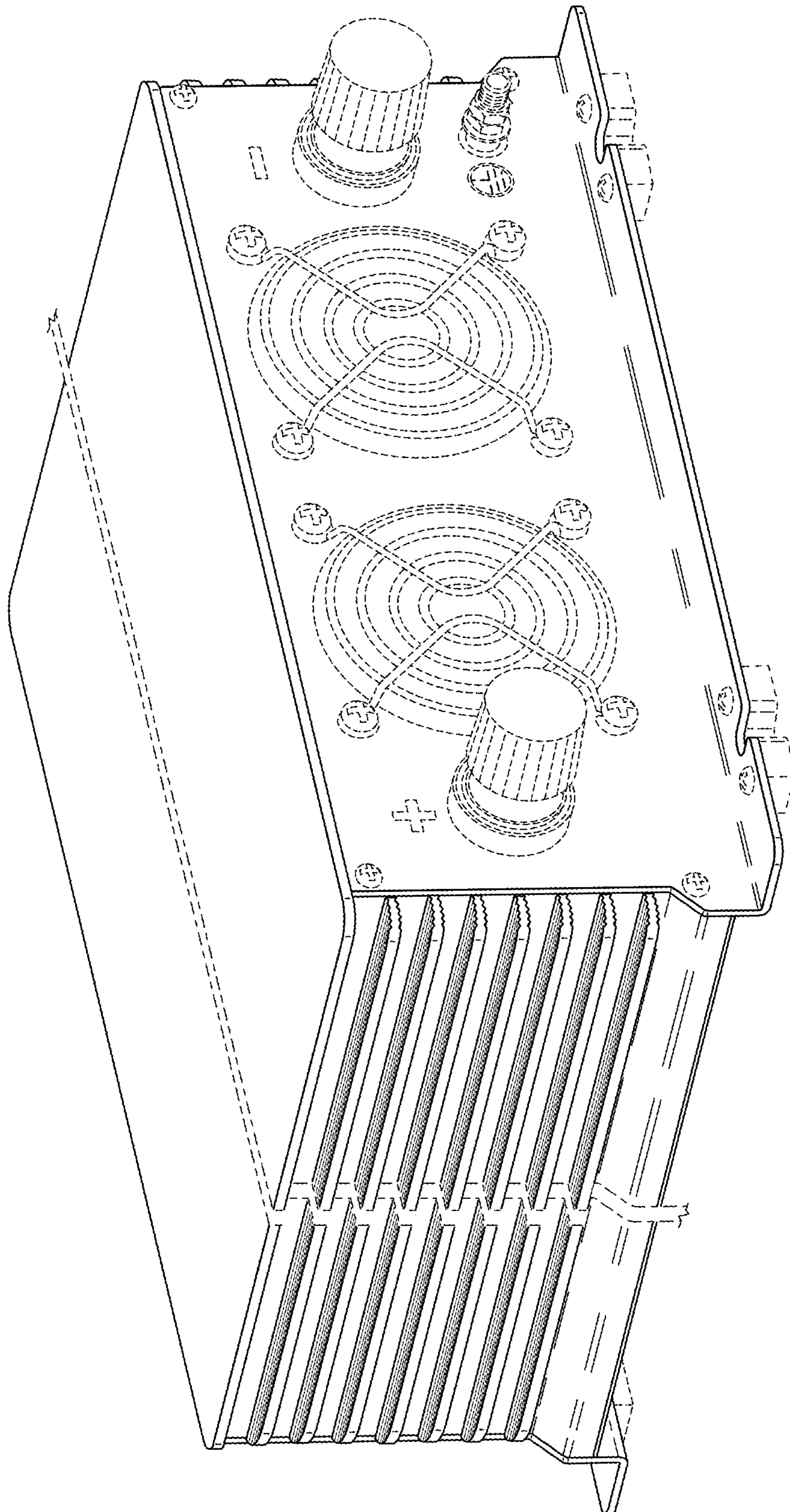


FIG. 2

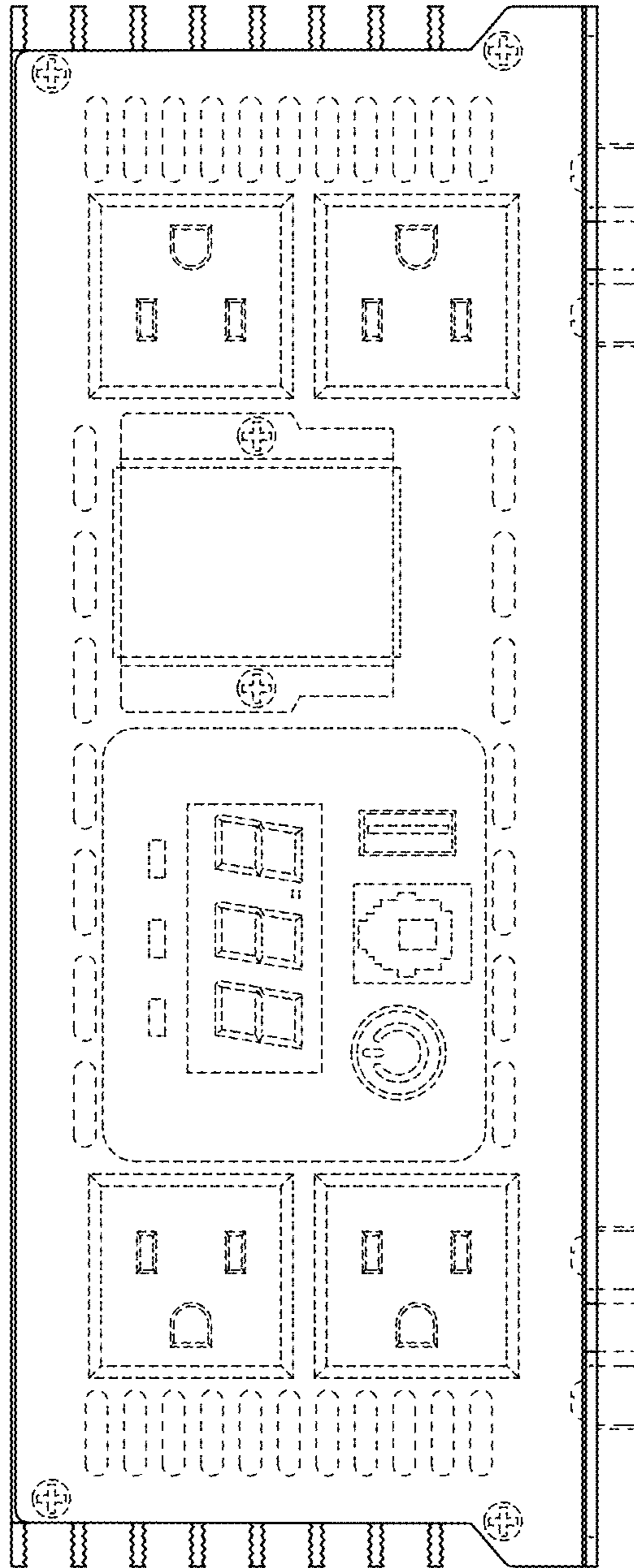


FIG. 3

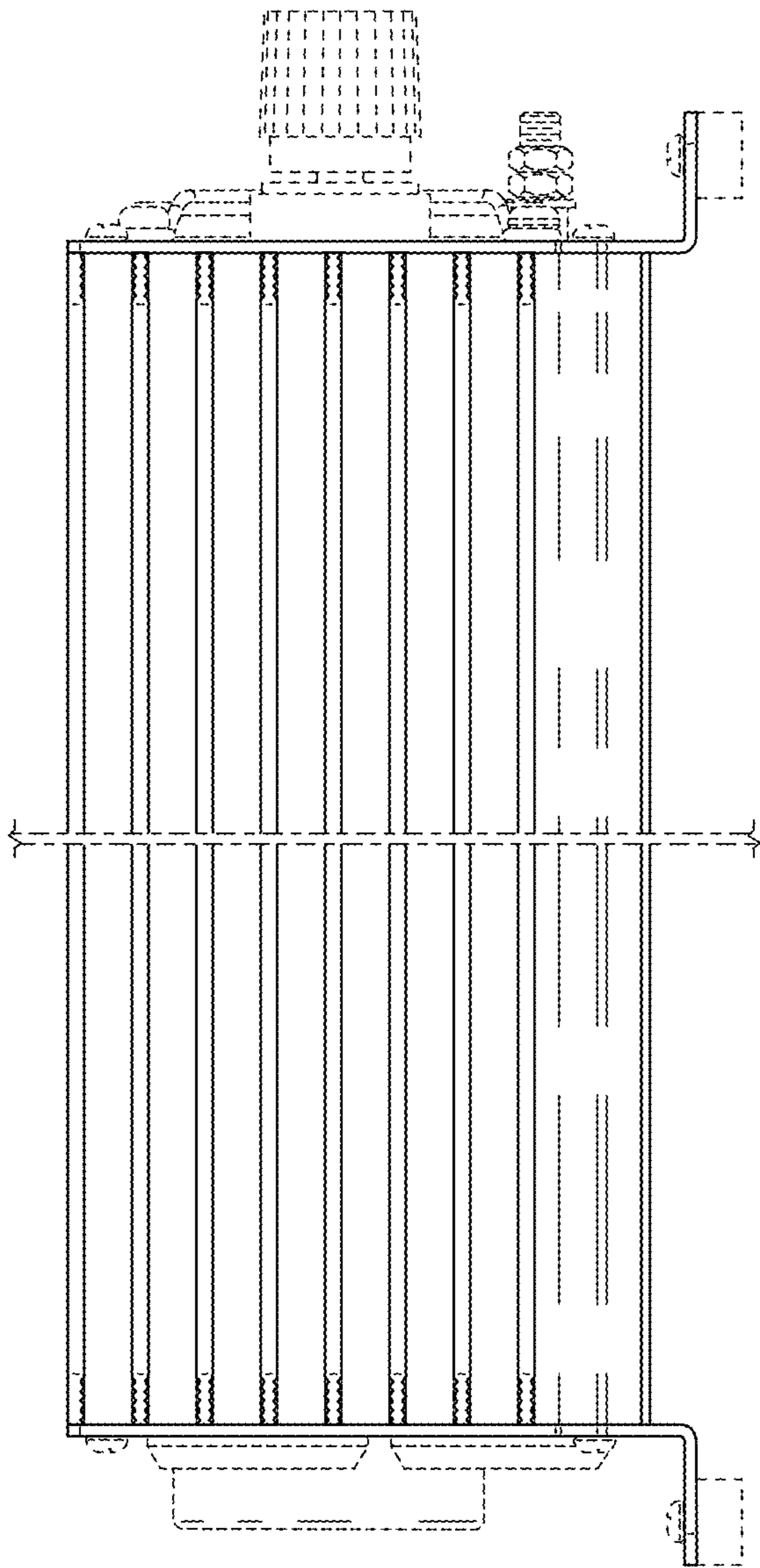


FIG. 4

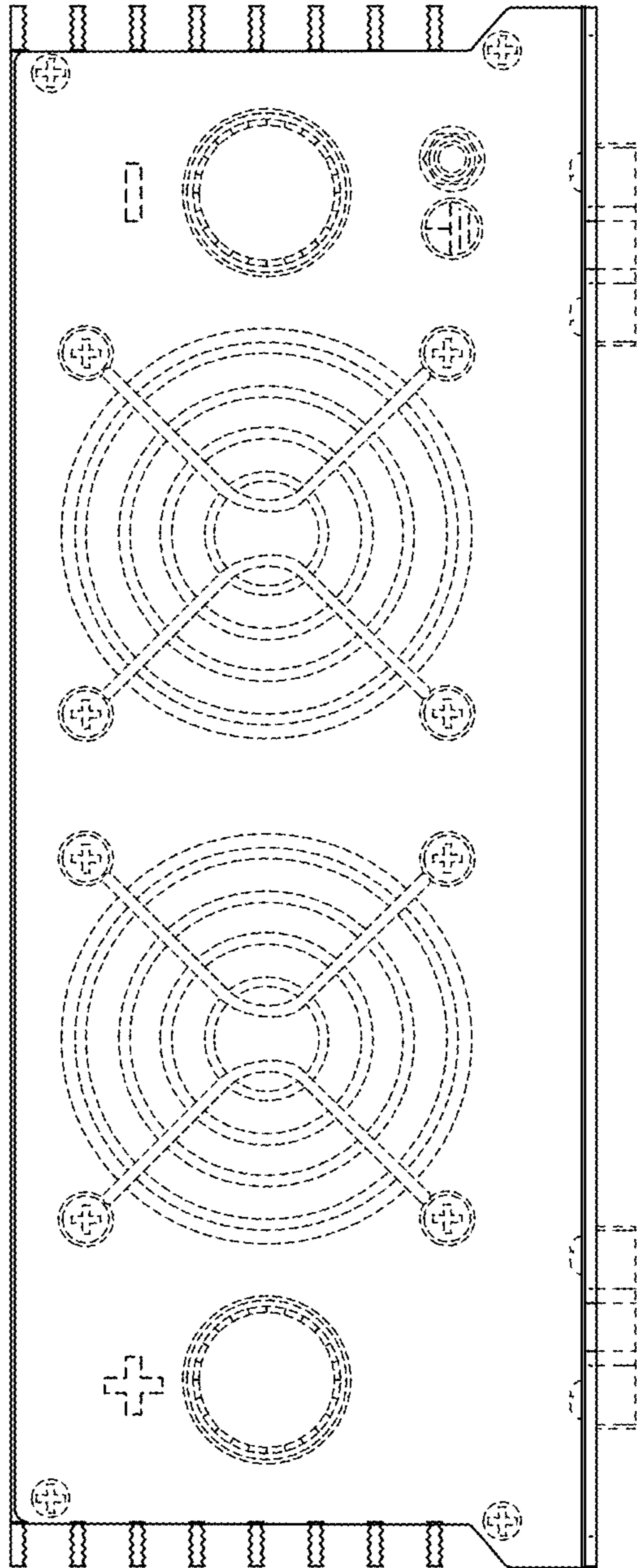


FIG. 5

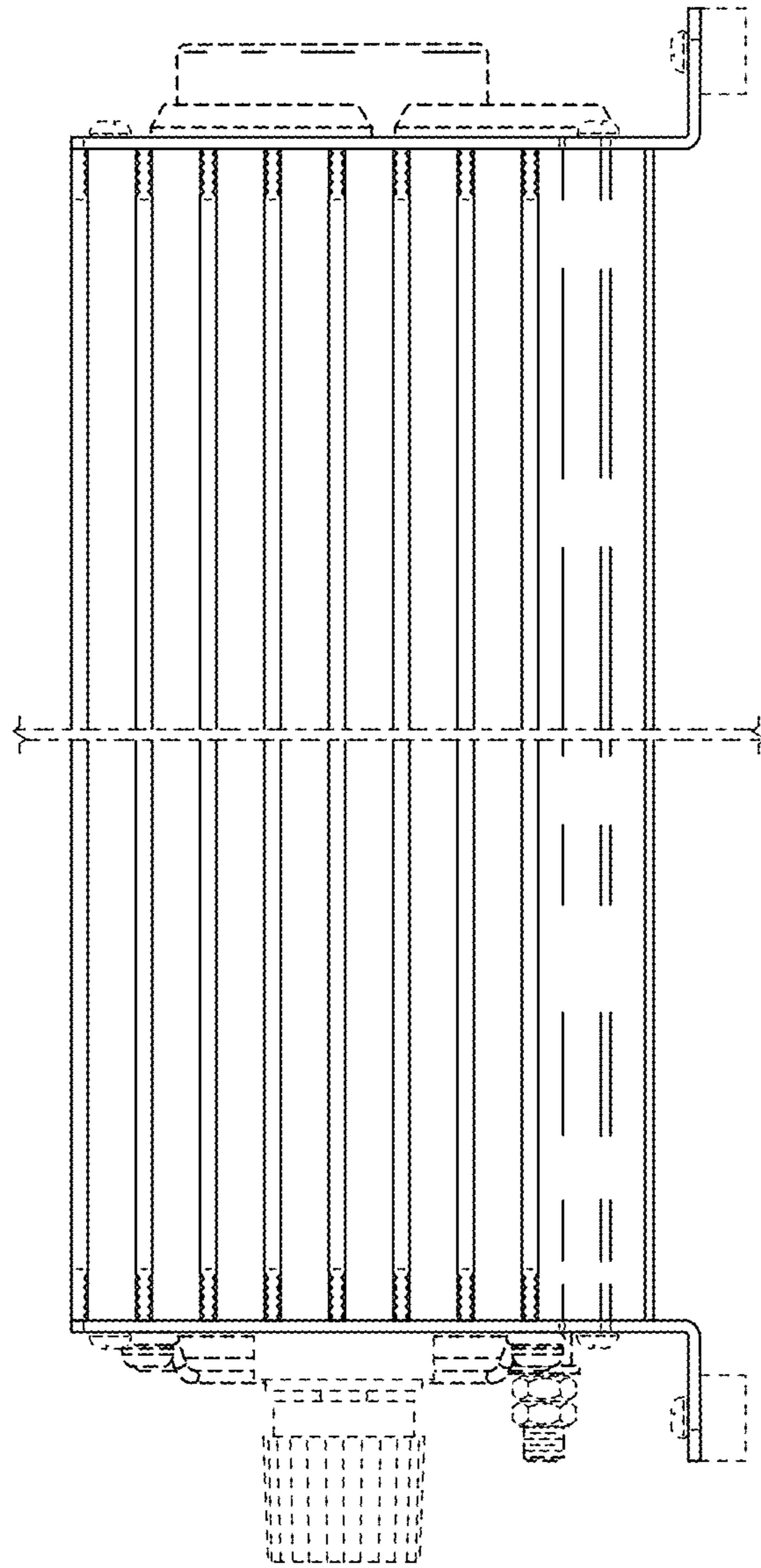


FIG. 6

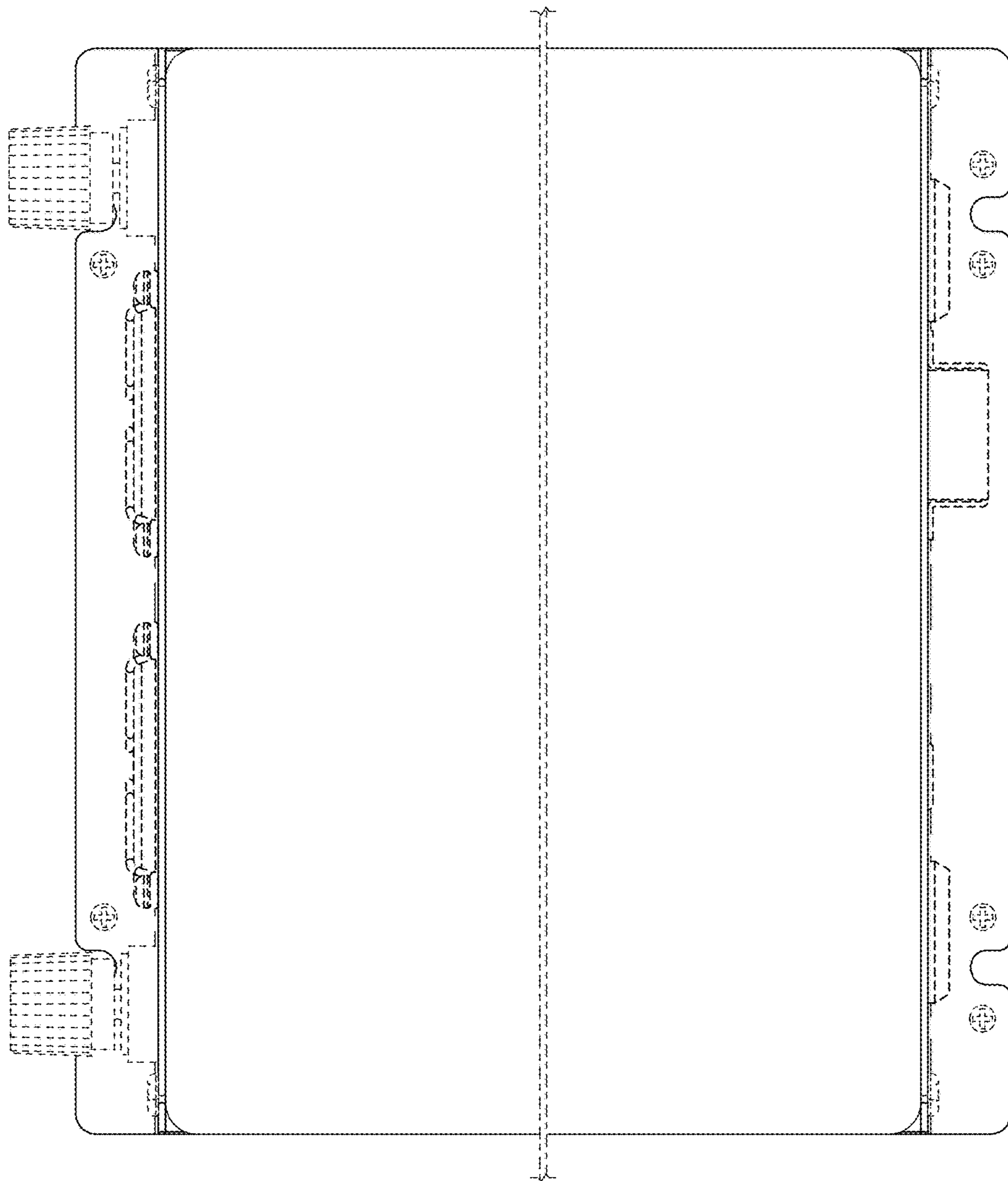


FIG. 7

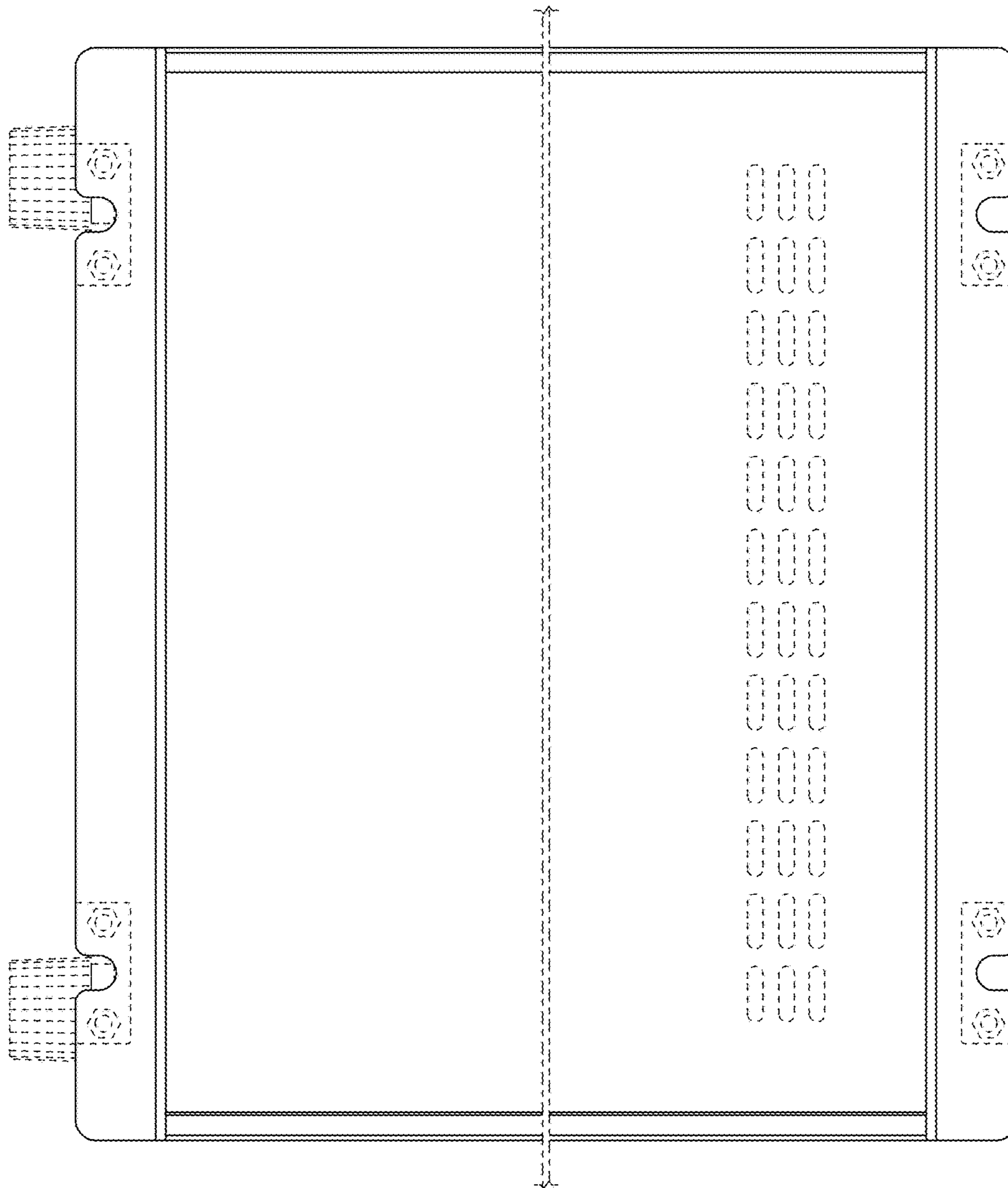


FIG. 8

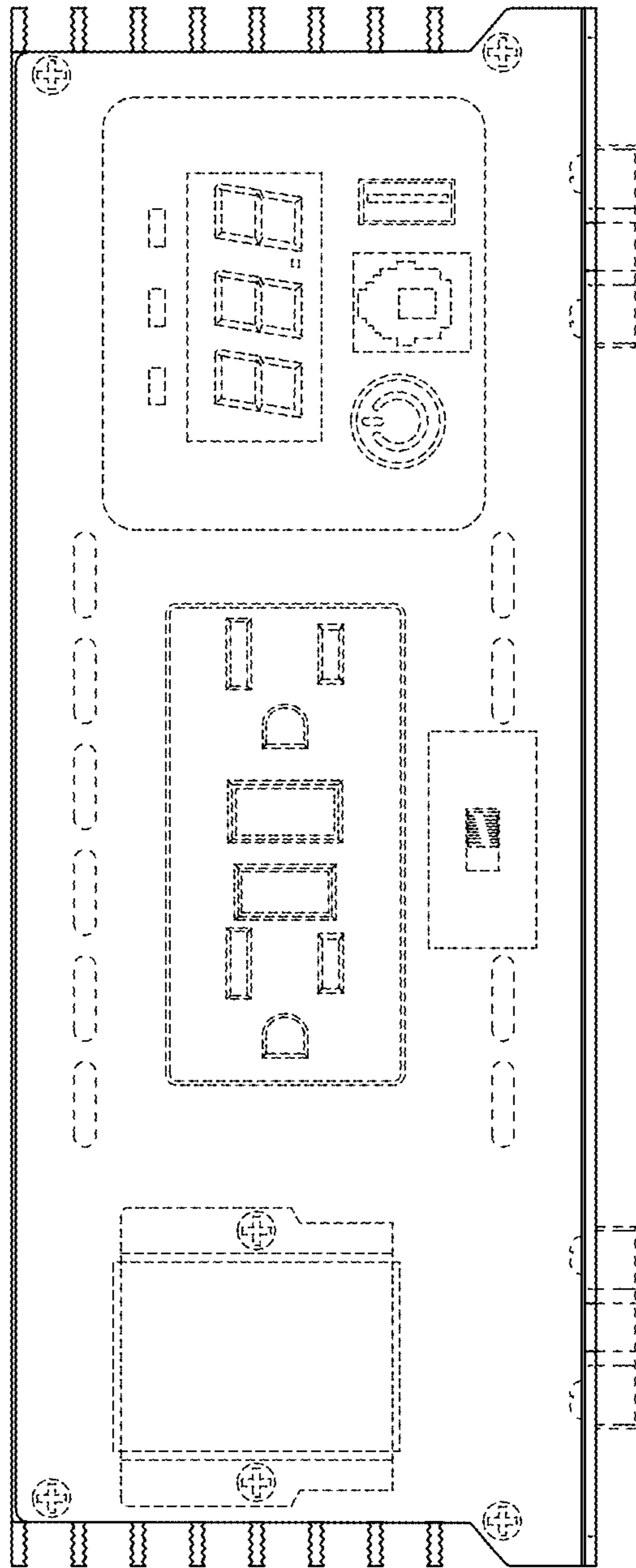


FIG. 9