



US00D805468S

(12) **United States Design Patent**
Yamakawa et al.

(10) **Patent No.:** **US D805,468 S**
(45) **Date of Patent:** **** Dec. 19, 2017**

(54) **AUTOMOBILE TIRE**

(71) Applicant: **THE YOKOHAMA RUBBER CO., LTD.**, Minato-ku, Tokyo (JP)

(72) Inventors: **Takahiro Yamakawa**, Hiratsuka (JP);
Yasutaka Akashi, Hiratsuka (JP)

(73) Assignee: **THE YOKOHAMA RUBBER CO., LTD.**, Minato-ku, Tokyo (JP)

(**) Term: **15 Years**

(21) Appl. No.: **29/571,846**

(22) Filed: **Jul. 22, 2016**

(30) **Foreign Application Priority Data**

Jan. 29, 2016 (JP) 2016-001927

Jan. 29, 2016 (JP) 2016-001928

Jan. 29, 2016 (JP) 2016001929

(51) **LOC (10) Cl.** **12-15**

(52) **U.S. Cl.**
USPC **D12/604**

(58) **Field of Classification Search**
USPC D12/531, 532, 564, 565, 566, 567, 599,
D12/600, 601, 602, 603, 604
(Continued)

(56) **References Cited**

U.S. PATENT DOCUMENTS

D414,147 S * 9/1999 Matsuda D12/600

D510,065 S * 9/2005 Kuramochi D12/601

(Continued)

Primary Examiner — Robert M Spear

(74) *Attorney, Agent, or Firm* — Banner & Witcoff, Ltd.

(57) **CLAIM**

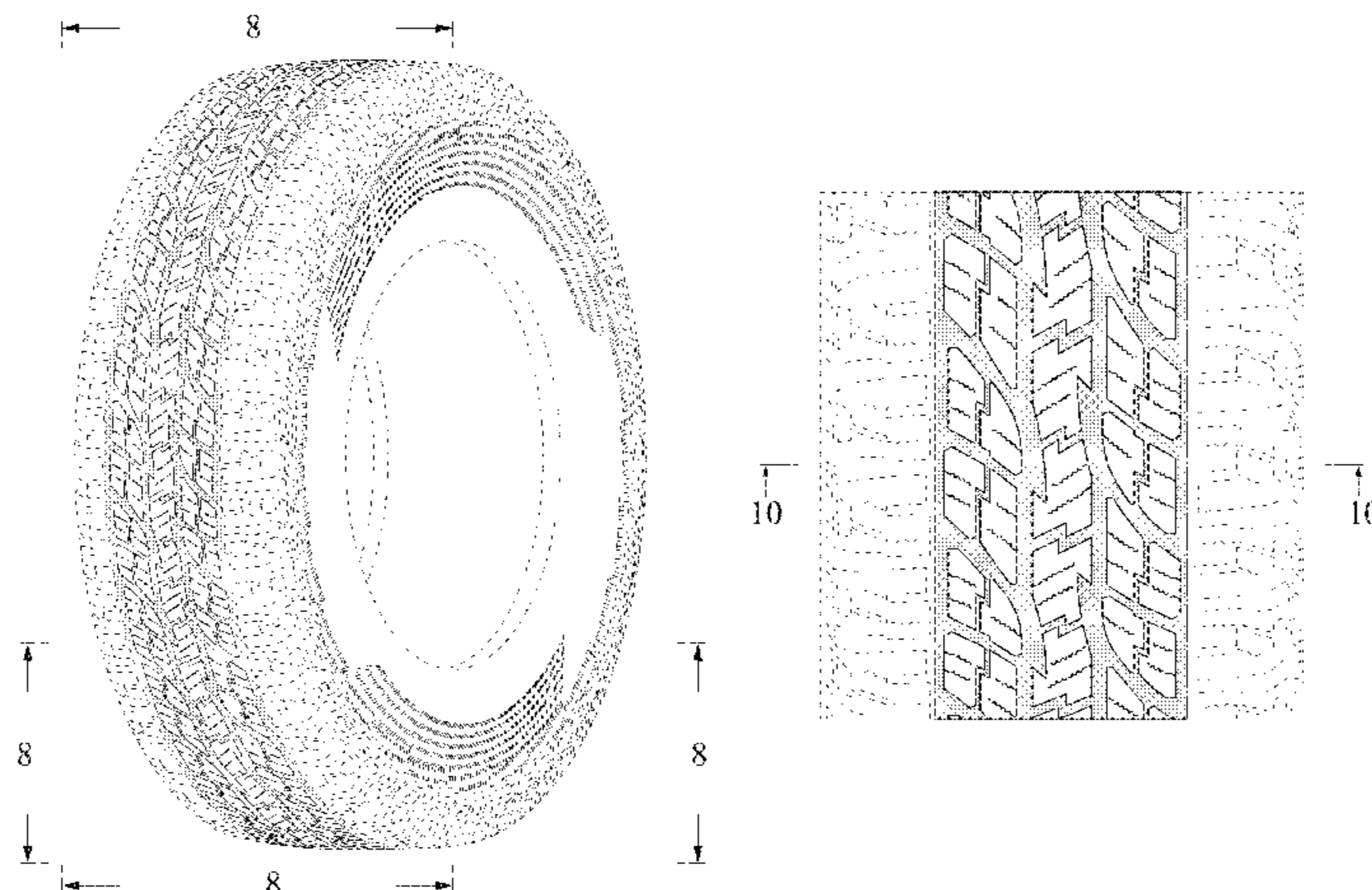
The ornamental design for an automobile tire, as shown and described.

DESCRIPTION

FIG. 1 is a perspective view of an automobile tire showing a first embodiment of our new design;

FIG. 2 is a front view thereof;
FIG. 3 is a rear view thereof;
FIG. 4 is a right side view thereof;
FIG. 5 is a left side view thereof;
FIG. 6 is a top view thereof;
FIG. 7 is a bottom view thereof;
FIG. 8 is an enlarged detail view of the portion defined by lines 8-8 shown in FIG. 1;
FIG. 9 is an enlarged detail view of the portion defined by lines 9-9 shown in FIG. 2;
FIG. 10 is a cross sectional view of a portion defined by lines 10-10 shown in FIG. 9;
FIG. 11 is a perspective view of an automobile tire showing a second embodiment of our new design;
FIG. 12 is a front view thereof;
FIG. 13 is a rear view thereof;
FIG. 14 is a right side view thereof;
FIG. 15 is a left side view thereof;
FIG. 16 is a top view thereof;
FIG. 17 is a bottom view thereof;
FIG. 18 is a partially enlarged view of a portion defined by lines 18-18 shown in FIG. 11;
FIG. 19 is a partially enlarged view of a portion defined by lines 19-19 shown in FIG. 12;
FIG. 20 is a cross sectional view of a portion defined by lines 20-10 shown in FIG. 19.
FIG. 21 is a perspective view of an automobile tire showing a third embodiment of our new design;
FIG. 22 is a front view thereof;
FIG. 23 is a rear view thereof;
FIG. 24 is a right side view thereof;
FIG. 25 is a left side view thereof;
FIG. 26 is a top view thereof;
FIG. 27 is a bottom view thereof;
FIG. 28 is a partially enlarged view of a portion defined by lines 28-28 shown in FIG. 21;
FIG. 29 is a partially enlarged view of a portion defined by lines 29-29 shown in FIG. 22; and,
FIG. 30 is a cross sectional view of a portion defined by lines 30-30 shown in FIG. 29.
In the drawings, the broken lines depict environmental subject matter only and form no part of the claimed design.

(Continued)



The dot and dashed lines represents a boundary between the claimed portion and the non-claimed portion.

1 Claim, 30 Drawing Sheets

(58) Field of Classification Search

CPC . B60C 11/03; B60C 11/0306; B60C 11/0311;
B60C 2011/0341; B60C 2011/0346;
B60C 2011/0374

See application file for complete search history.

(56) References Cited

U.S. PATENT DOCUMENTS

D517,980 S *	3/2006	Umstot	D12/600
D762,161 S *	7/2016	Wang	D12/594
D777,654 S *	1/2017	Lundgren	D12/600
D786,786 S *	5/2017	In	D12/600

* cited by examiner

FIG. 1

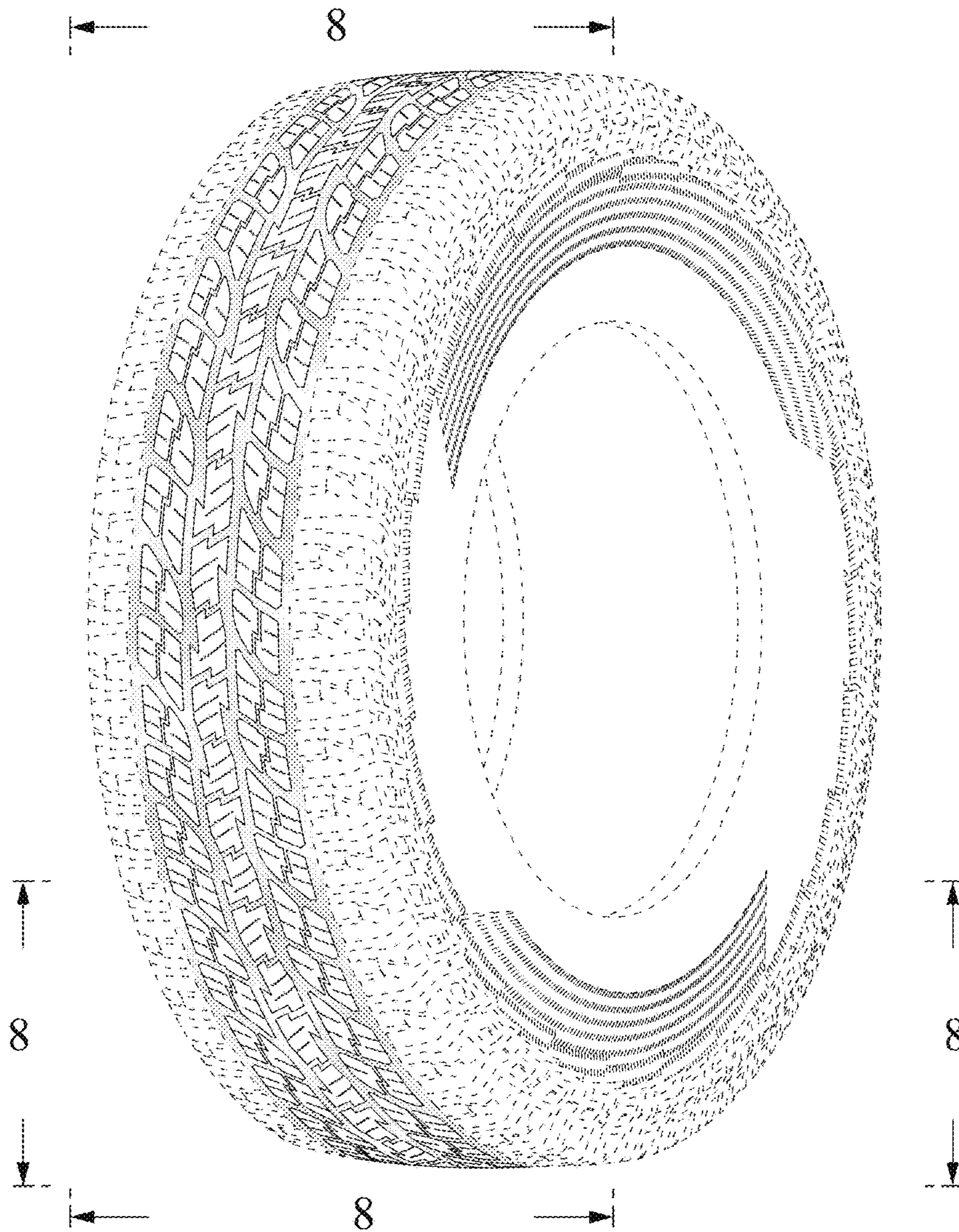


FIG. 2

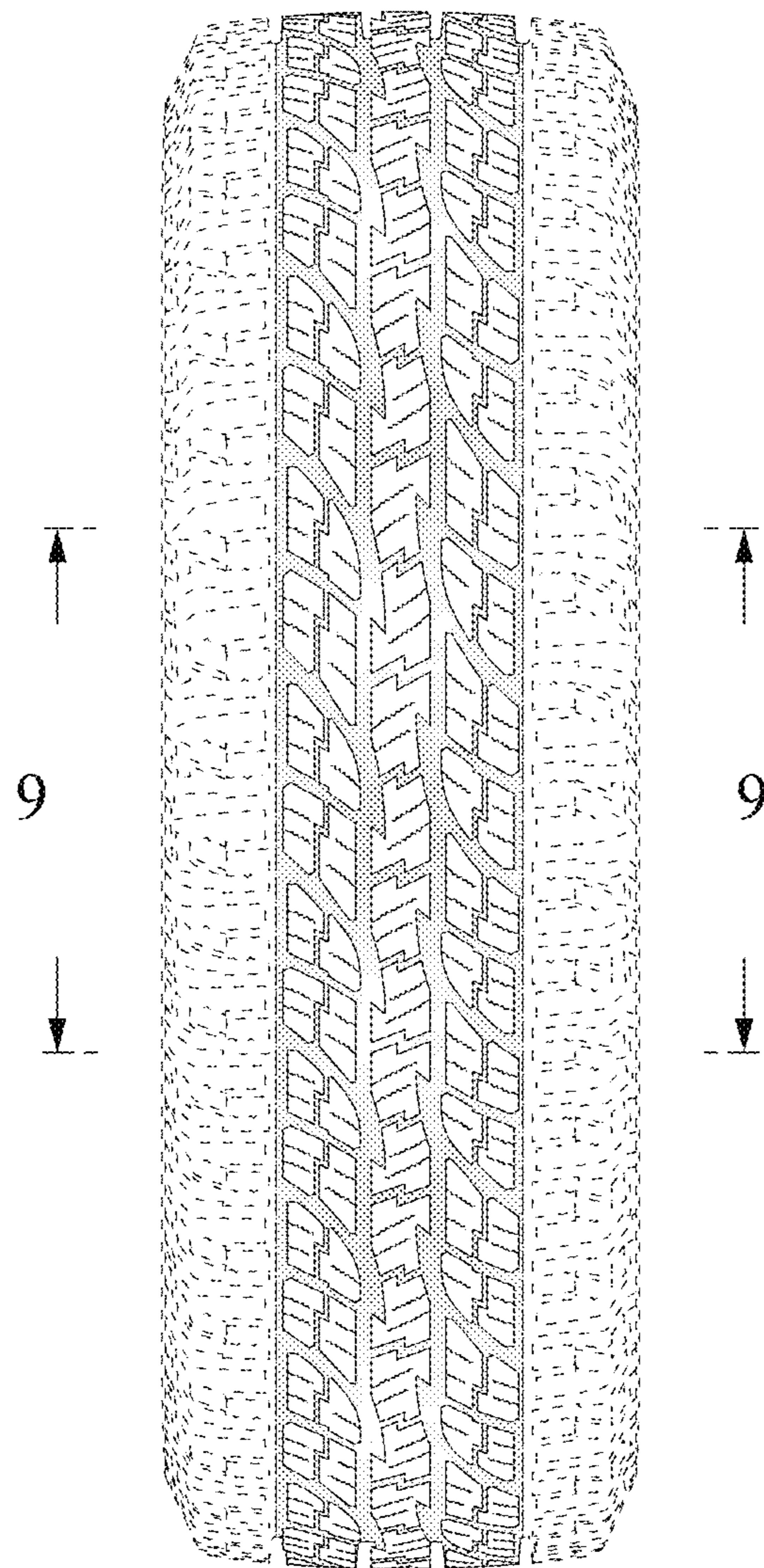


FIG. 3

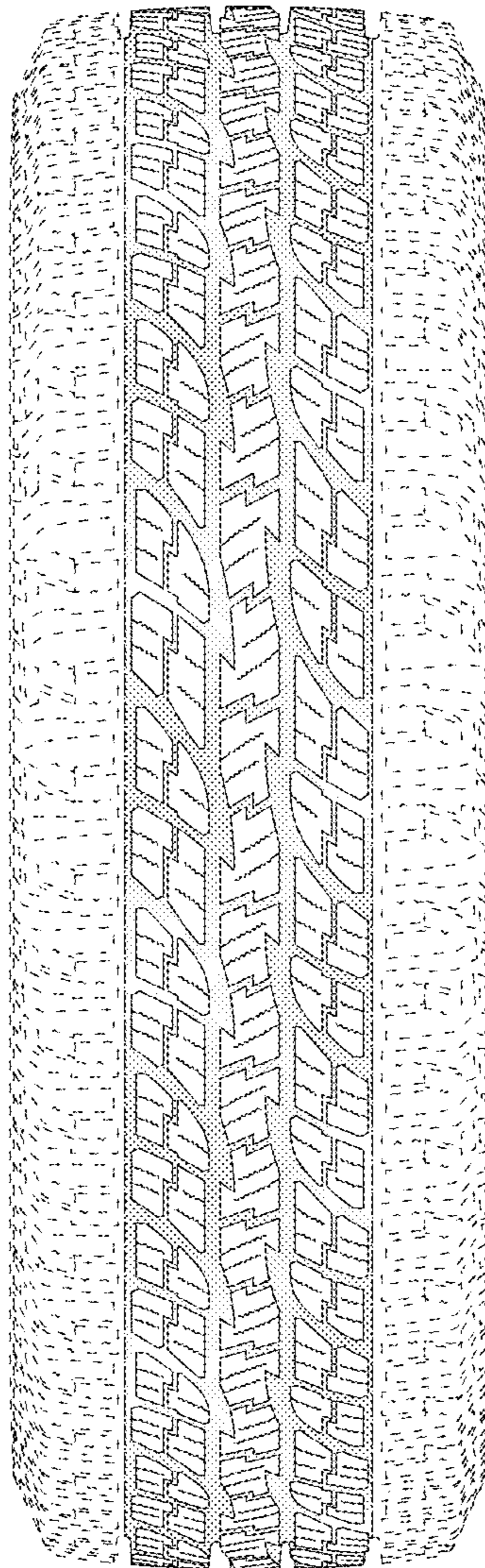


FIG. 4

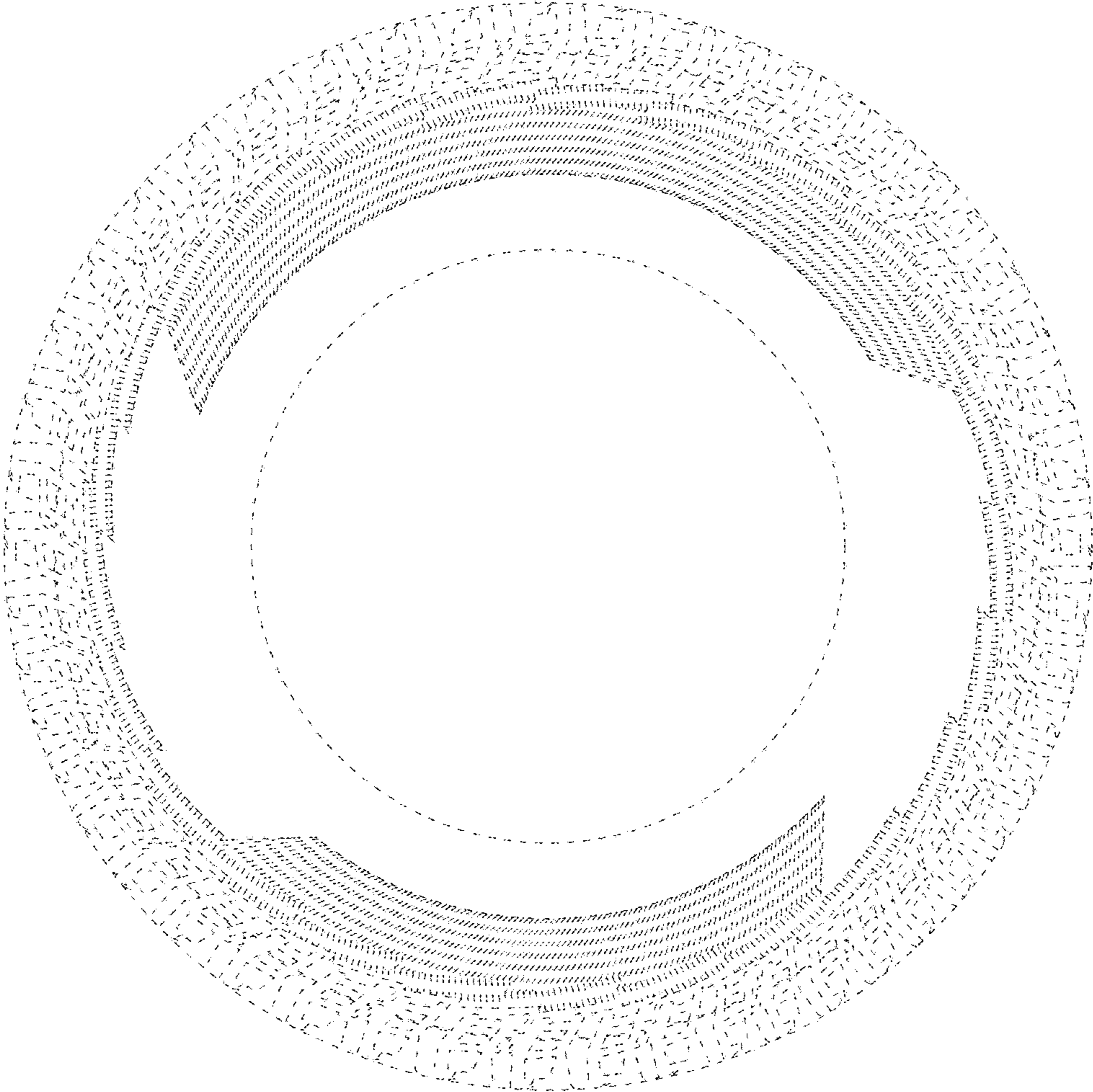


FIG. 5

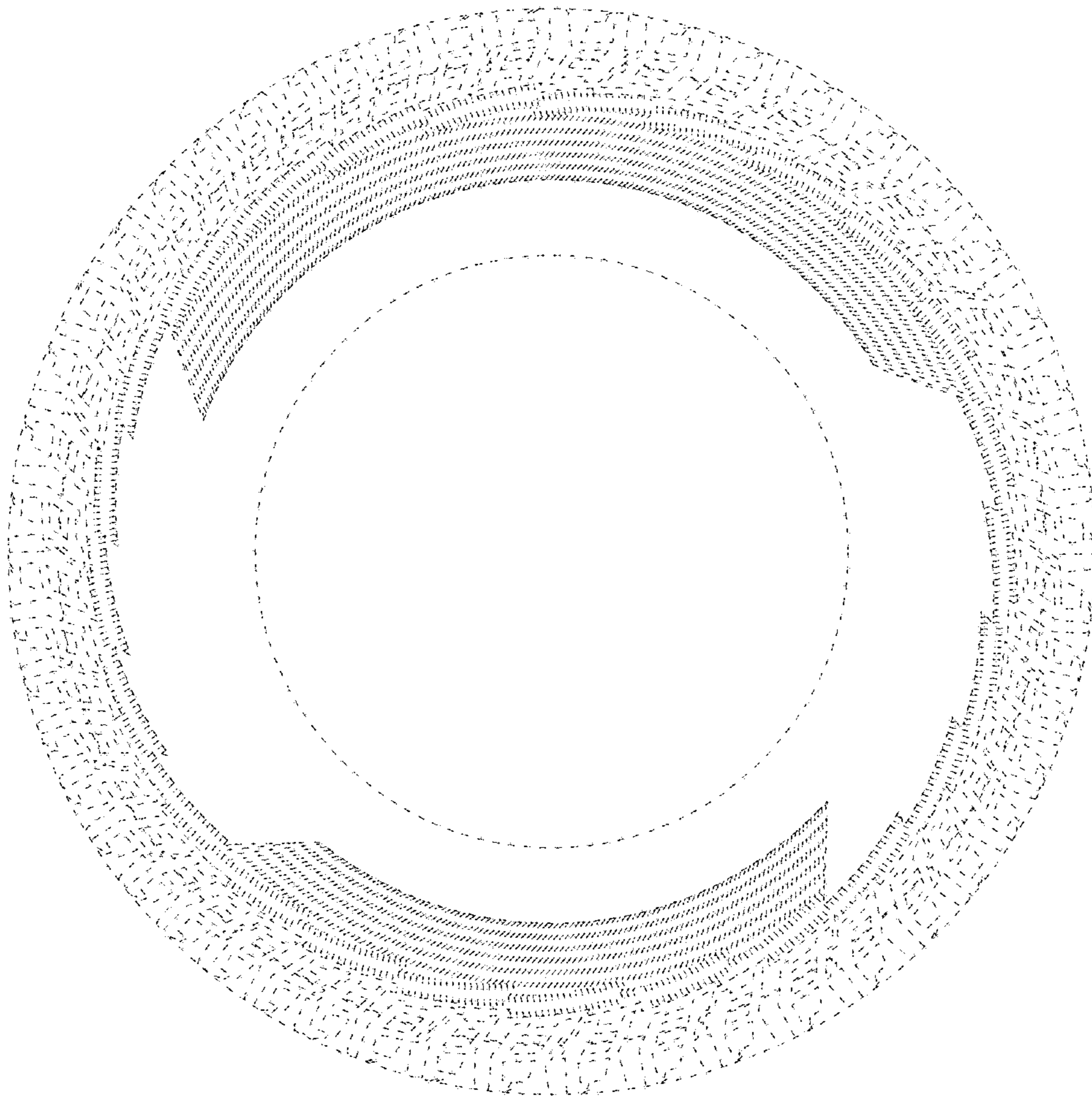


FIG. 6

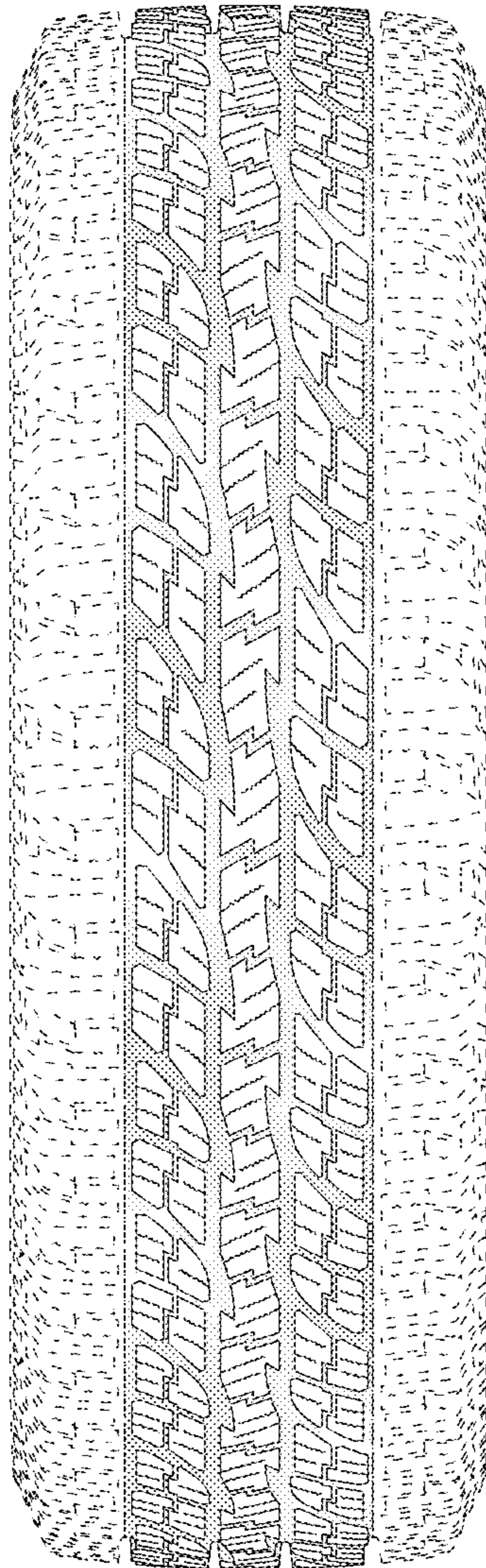


FIG. 7

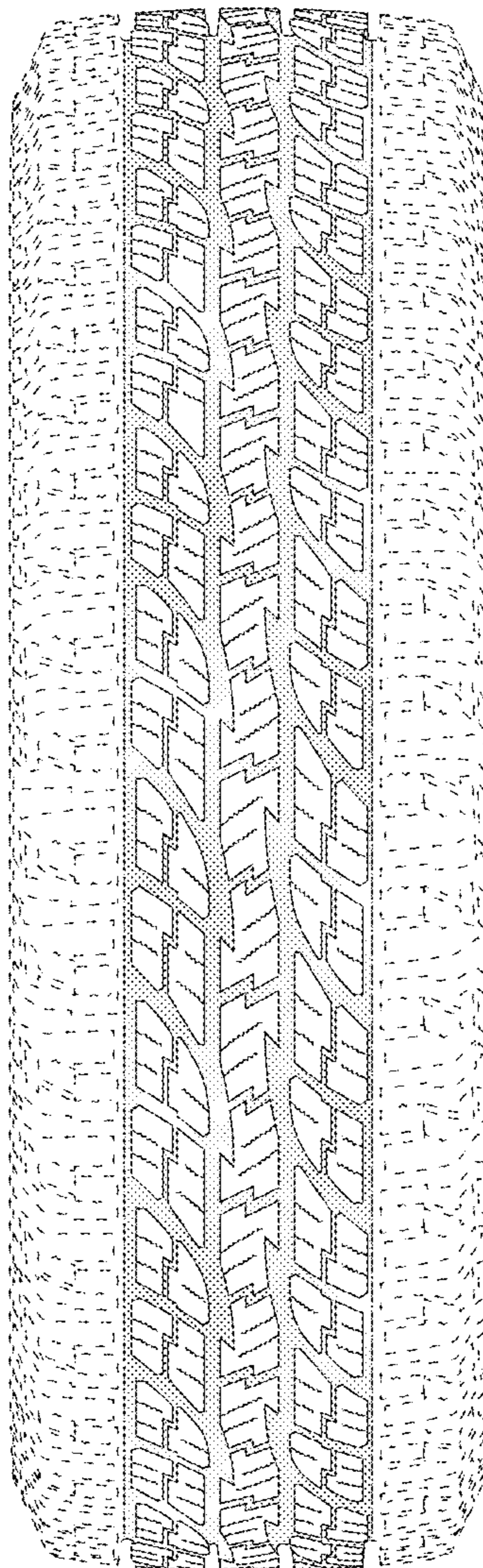


FIG. 8

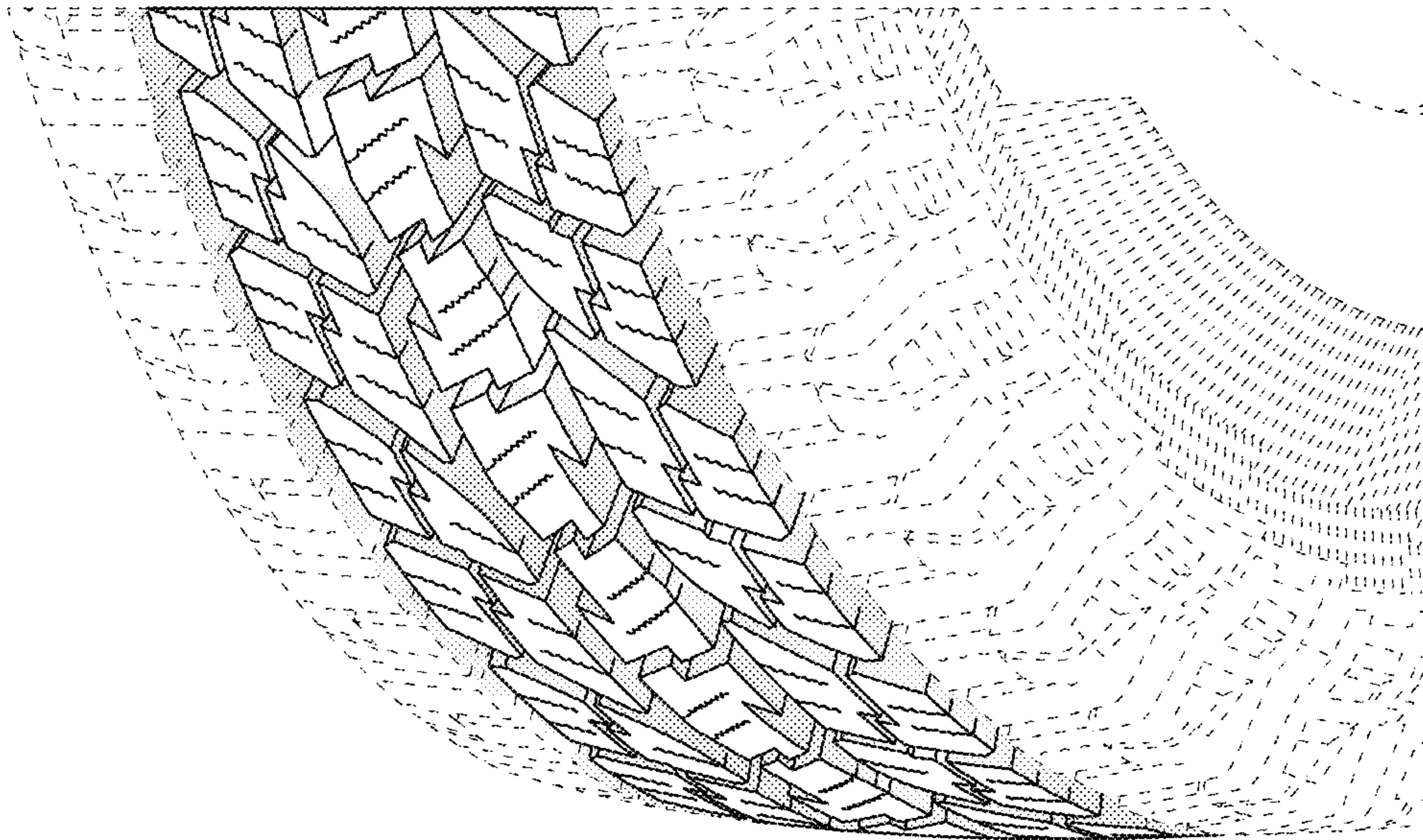


FIG. 9

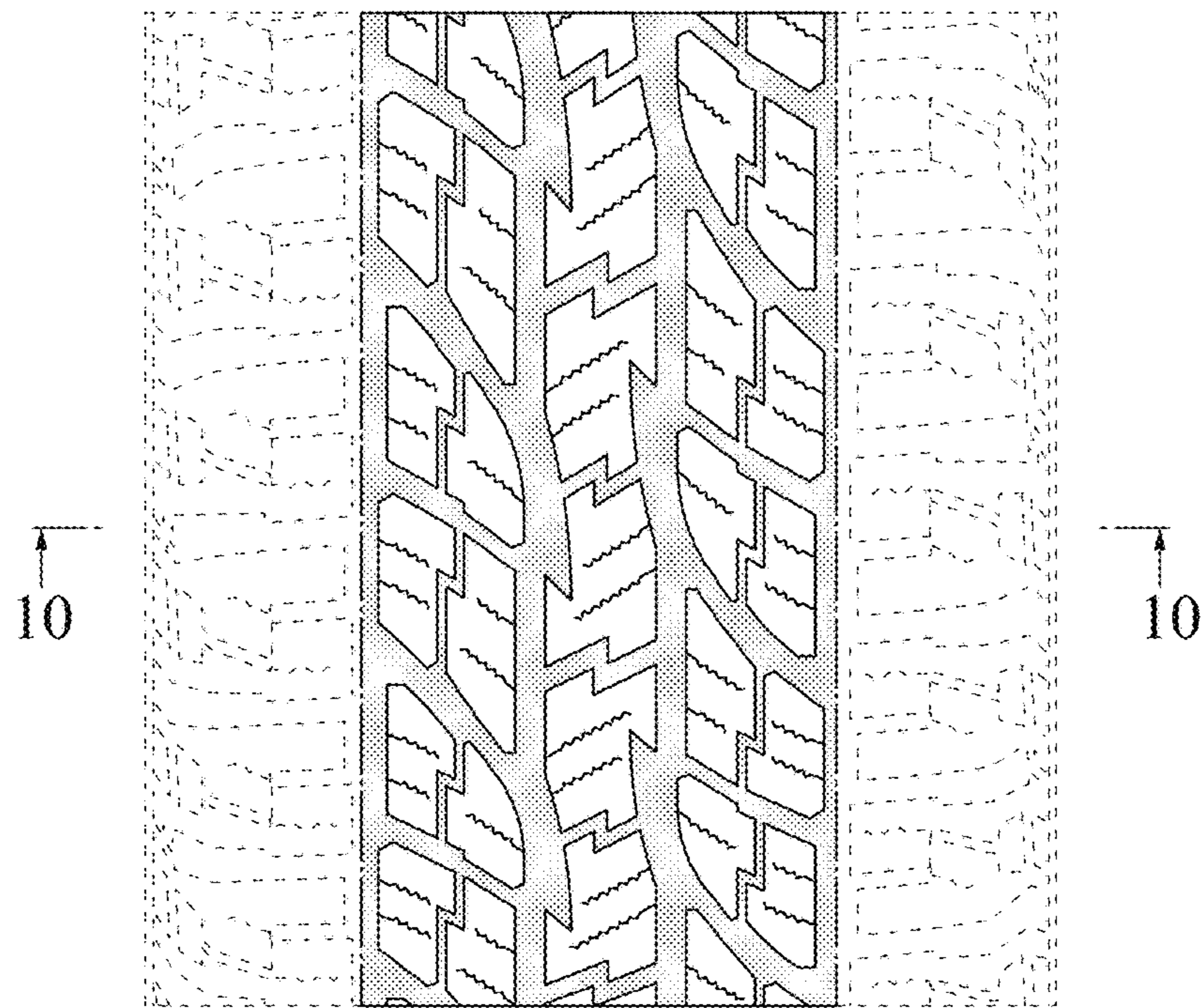


FIG. 10

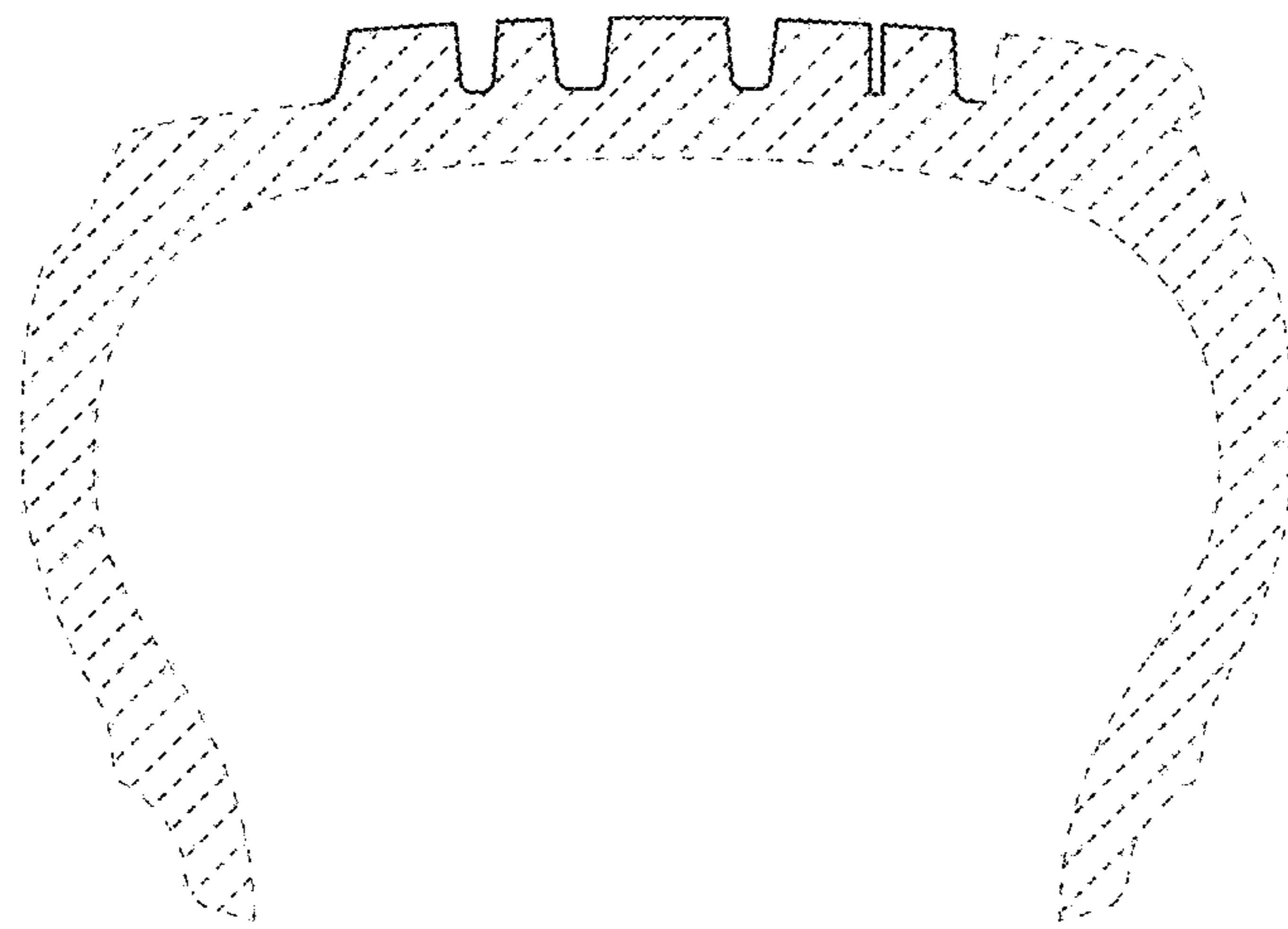


FIG. 11

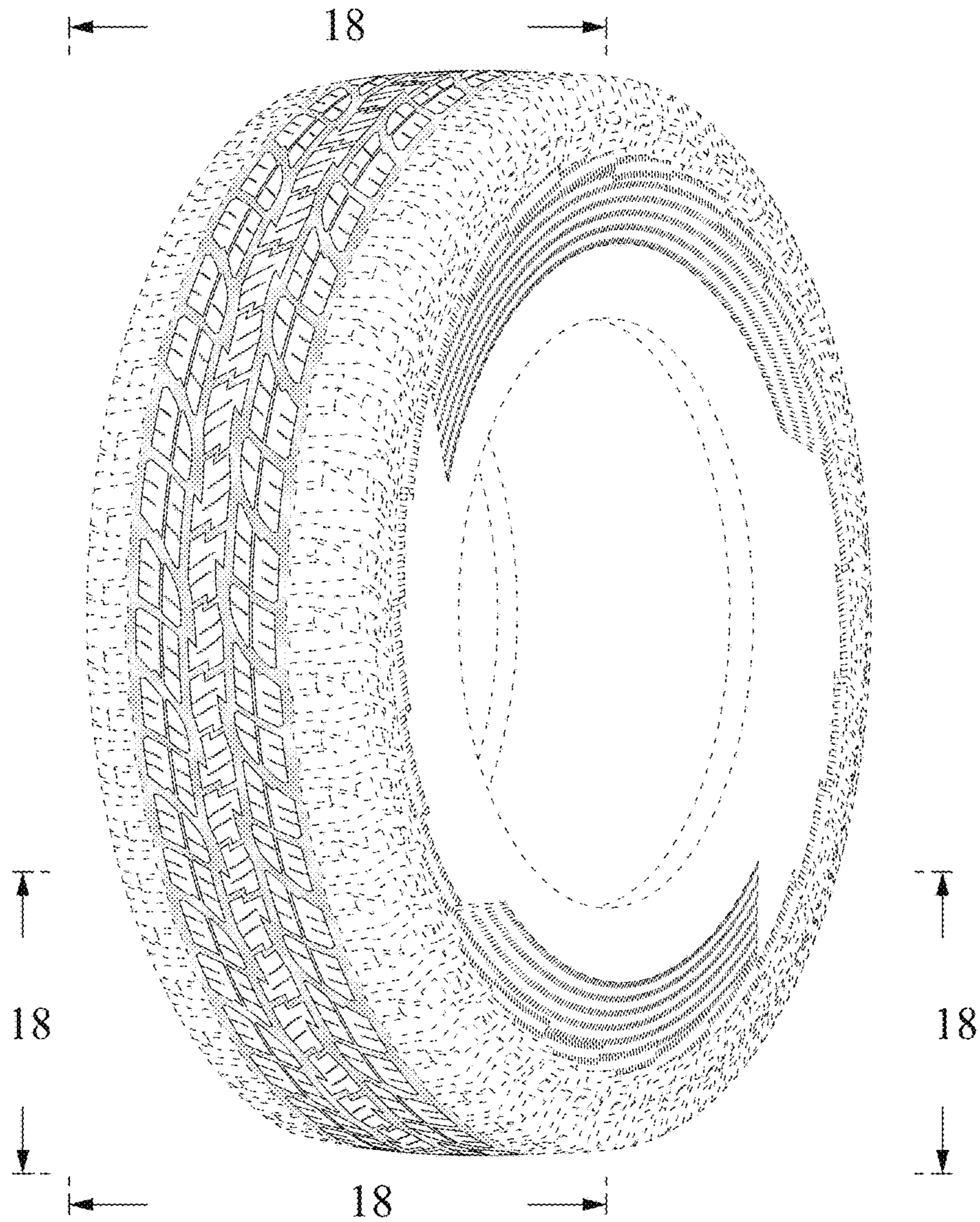


FIG. 12

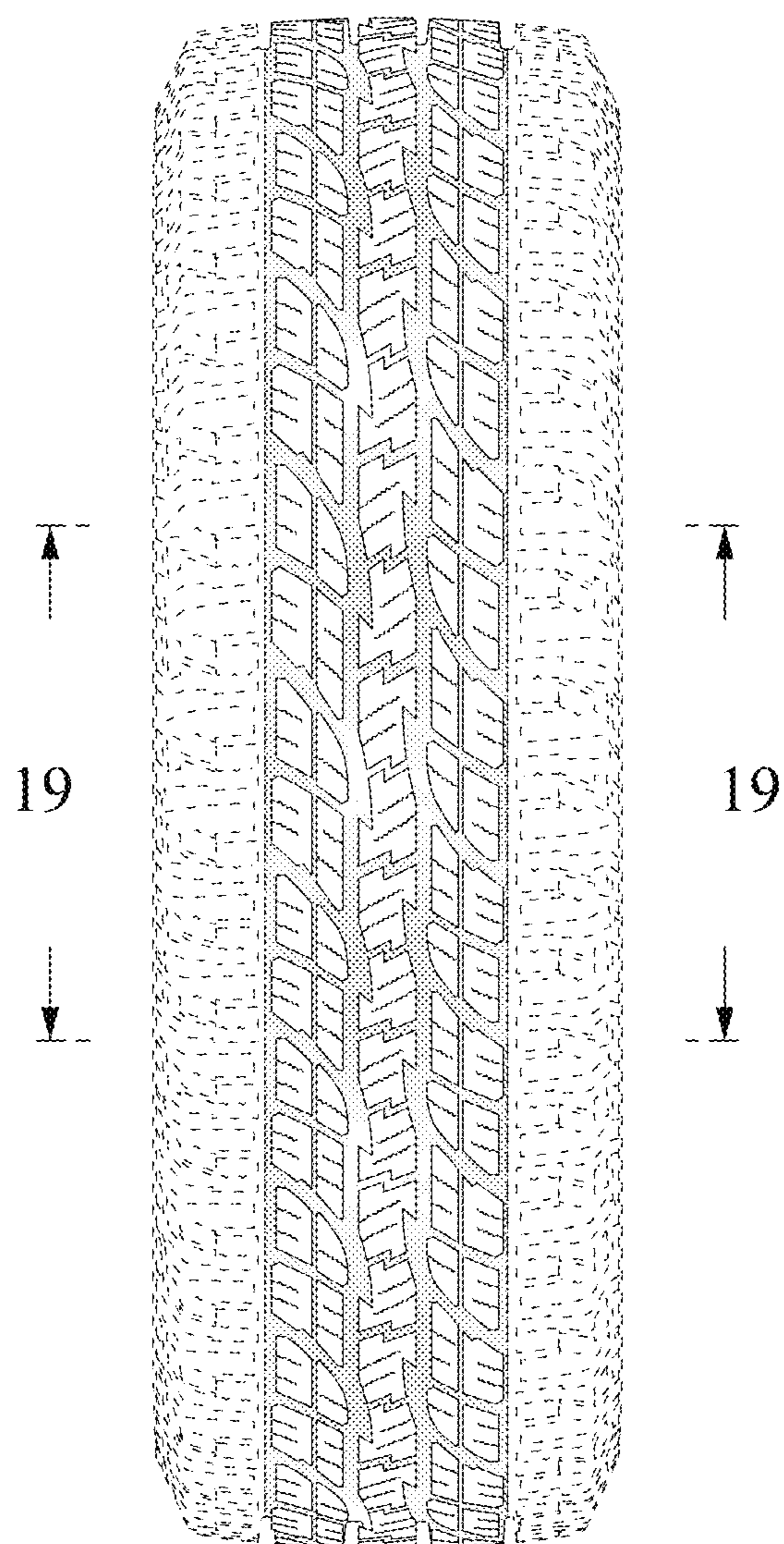


FIG. 13

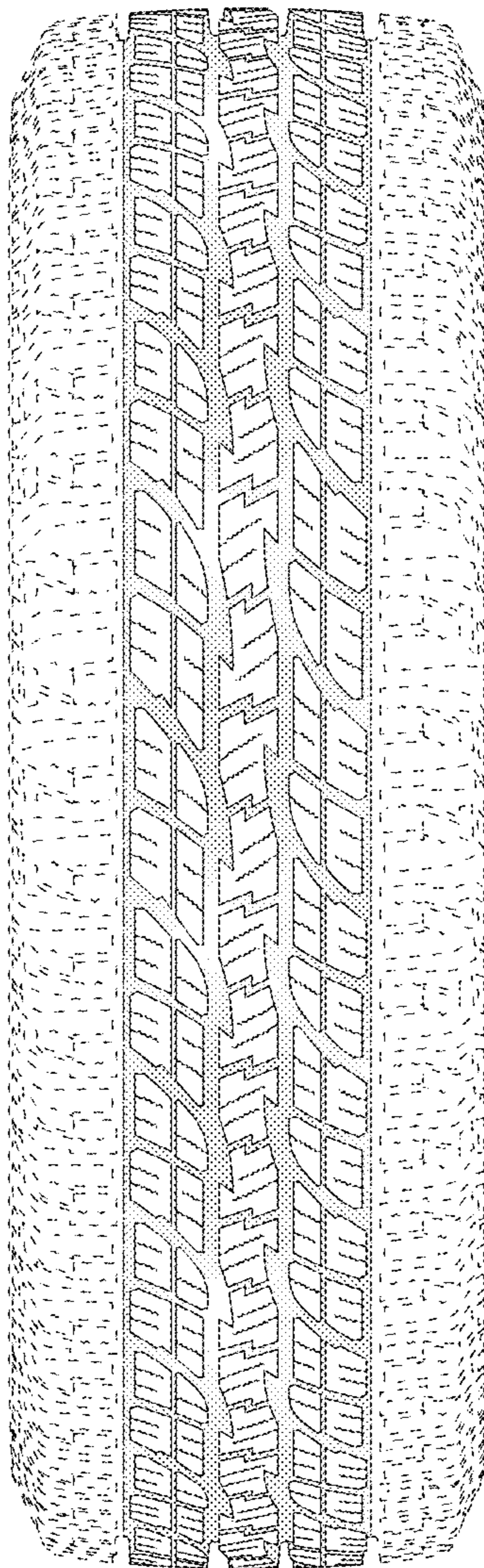


FIG. 14

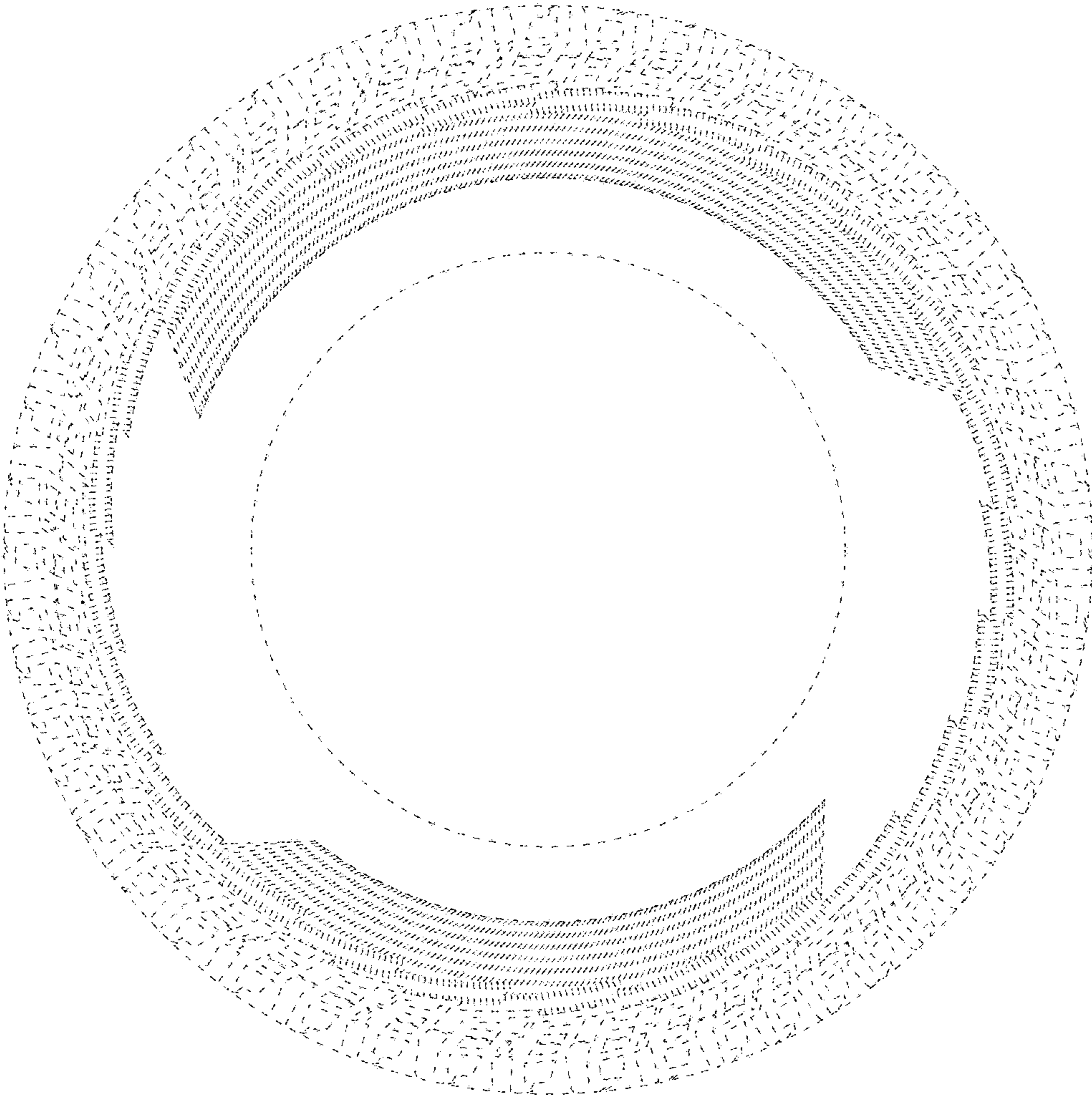


FIG. 15

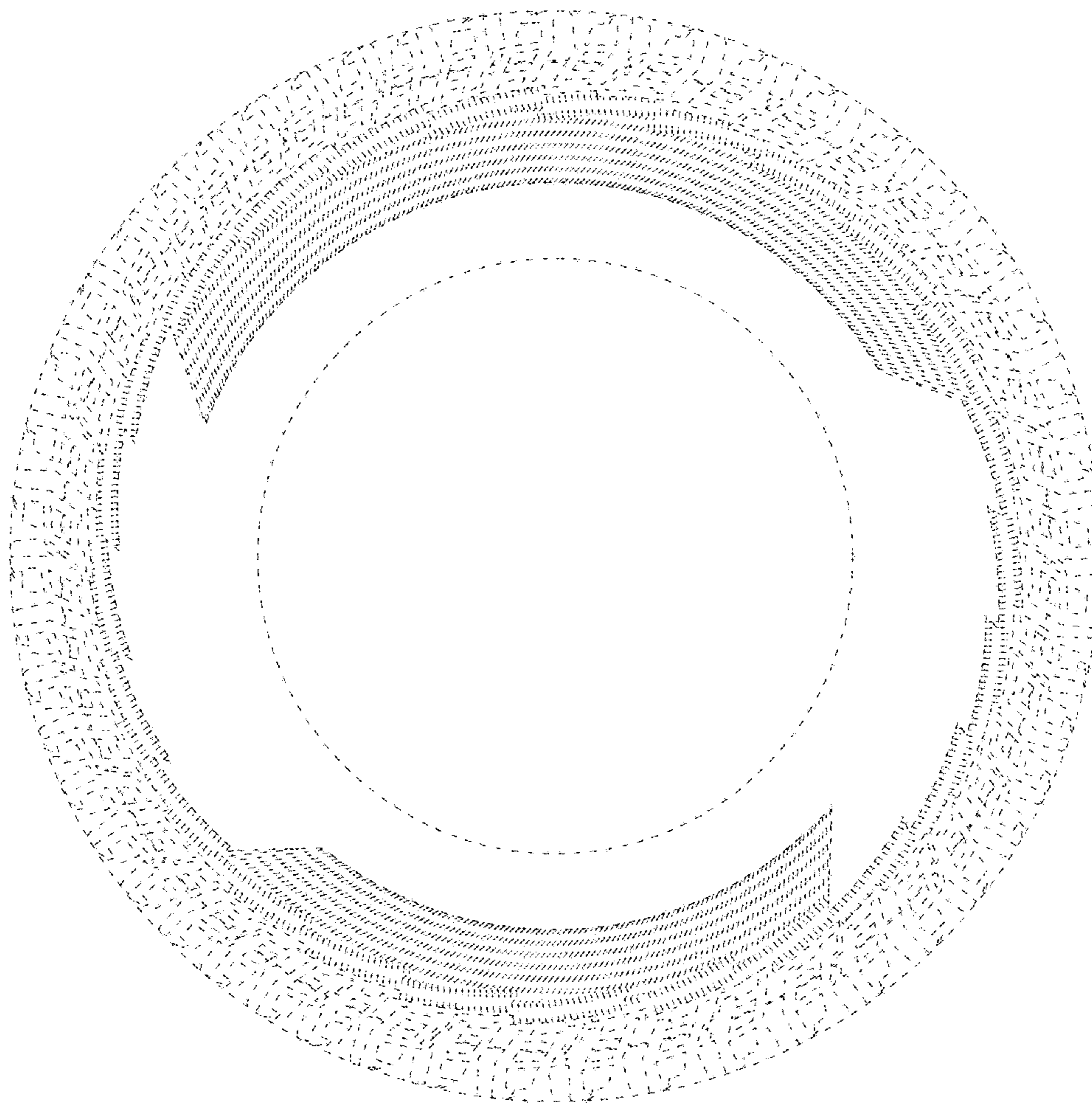


FIG. 16

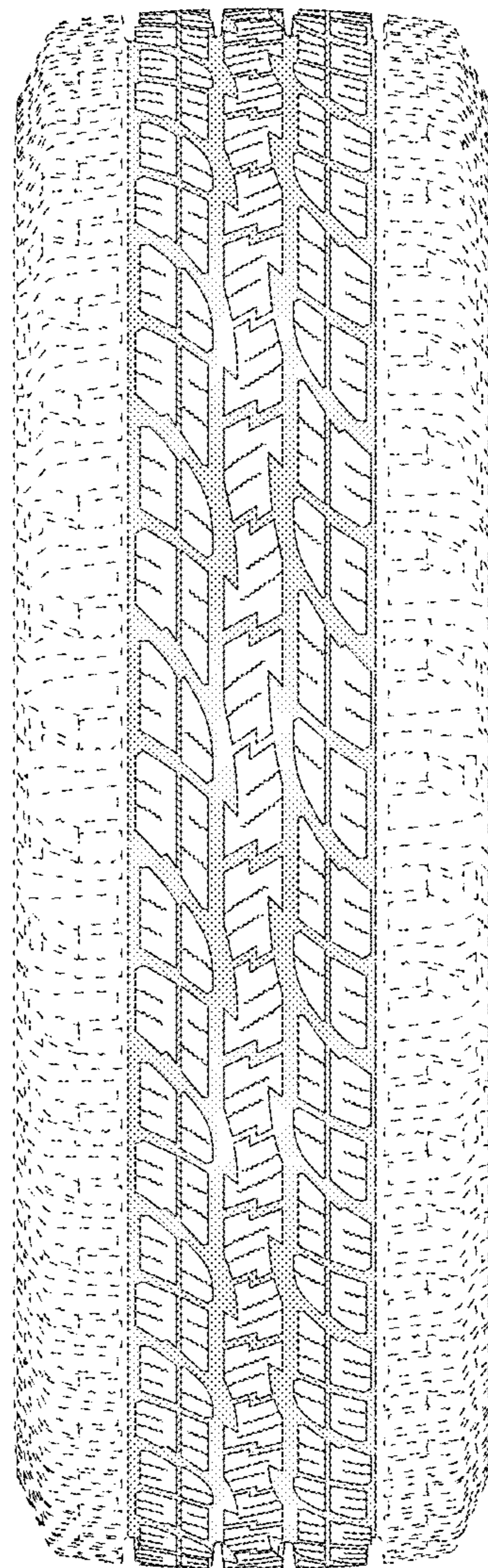


FIG. 17

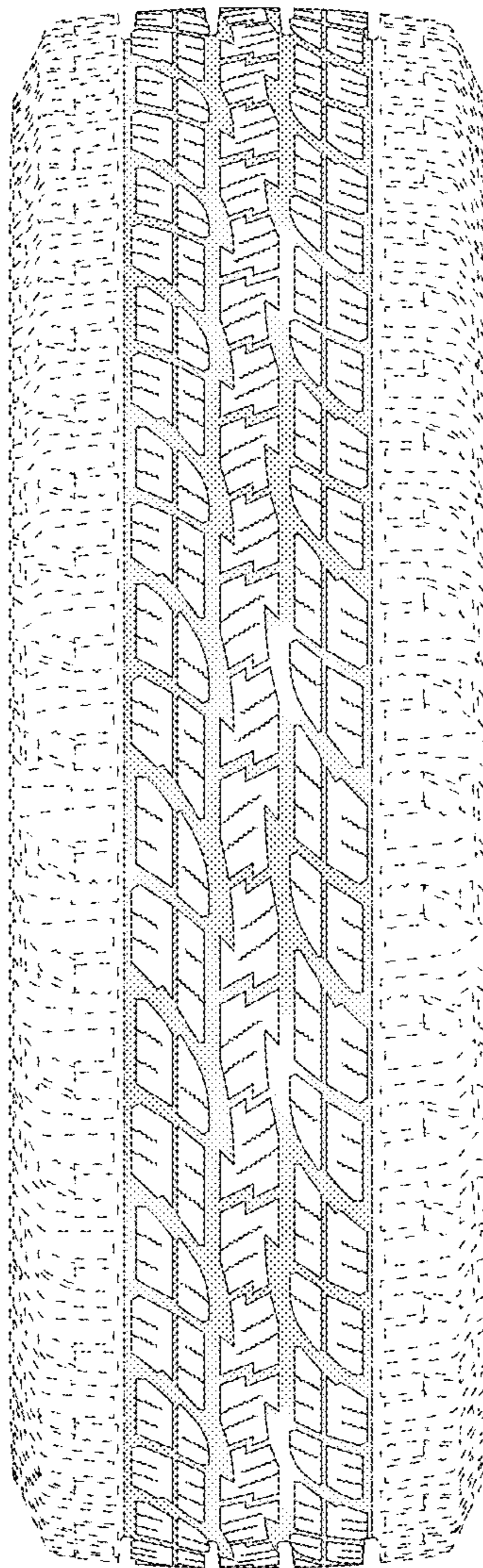


FIG. 18

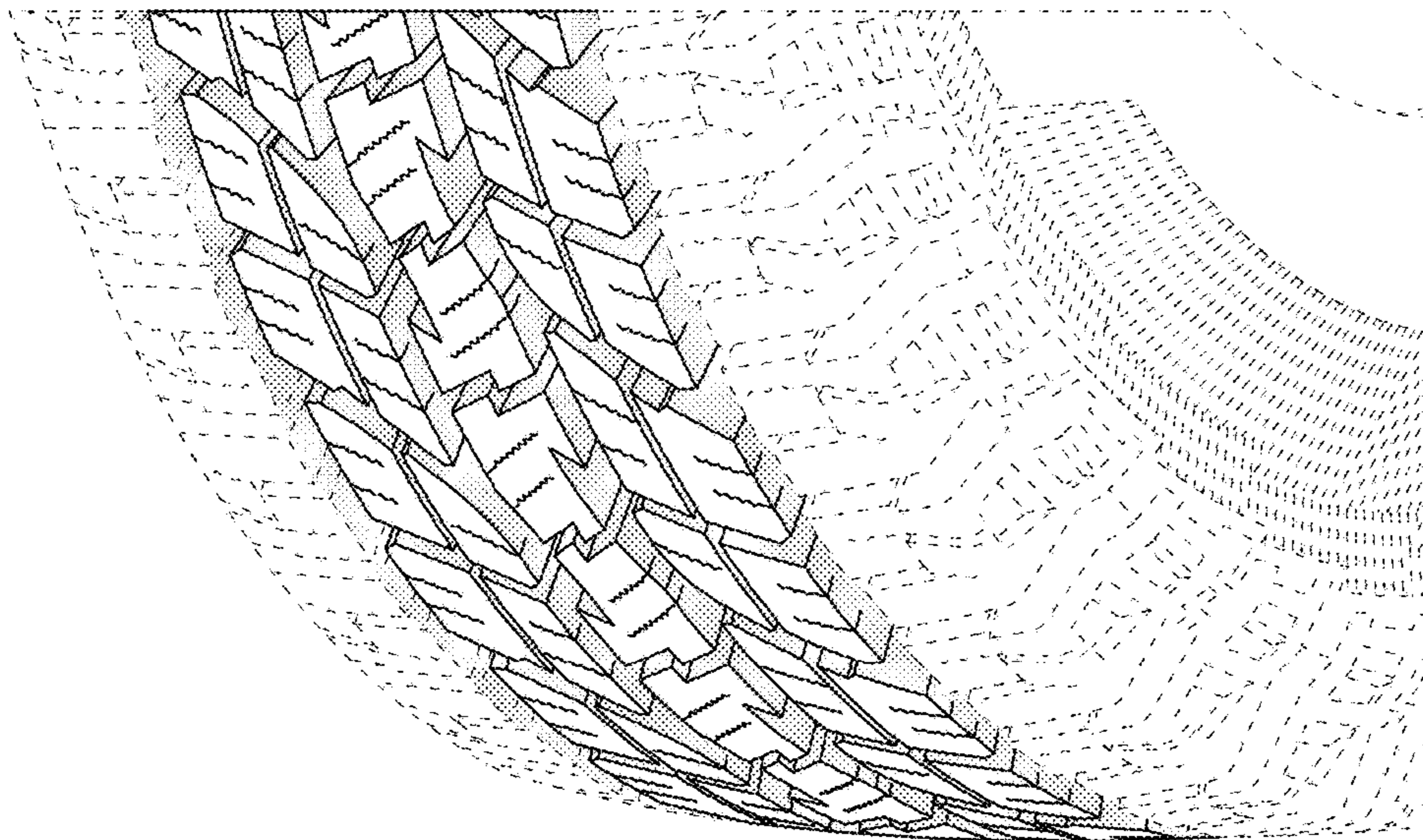


FIG. 19

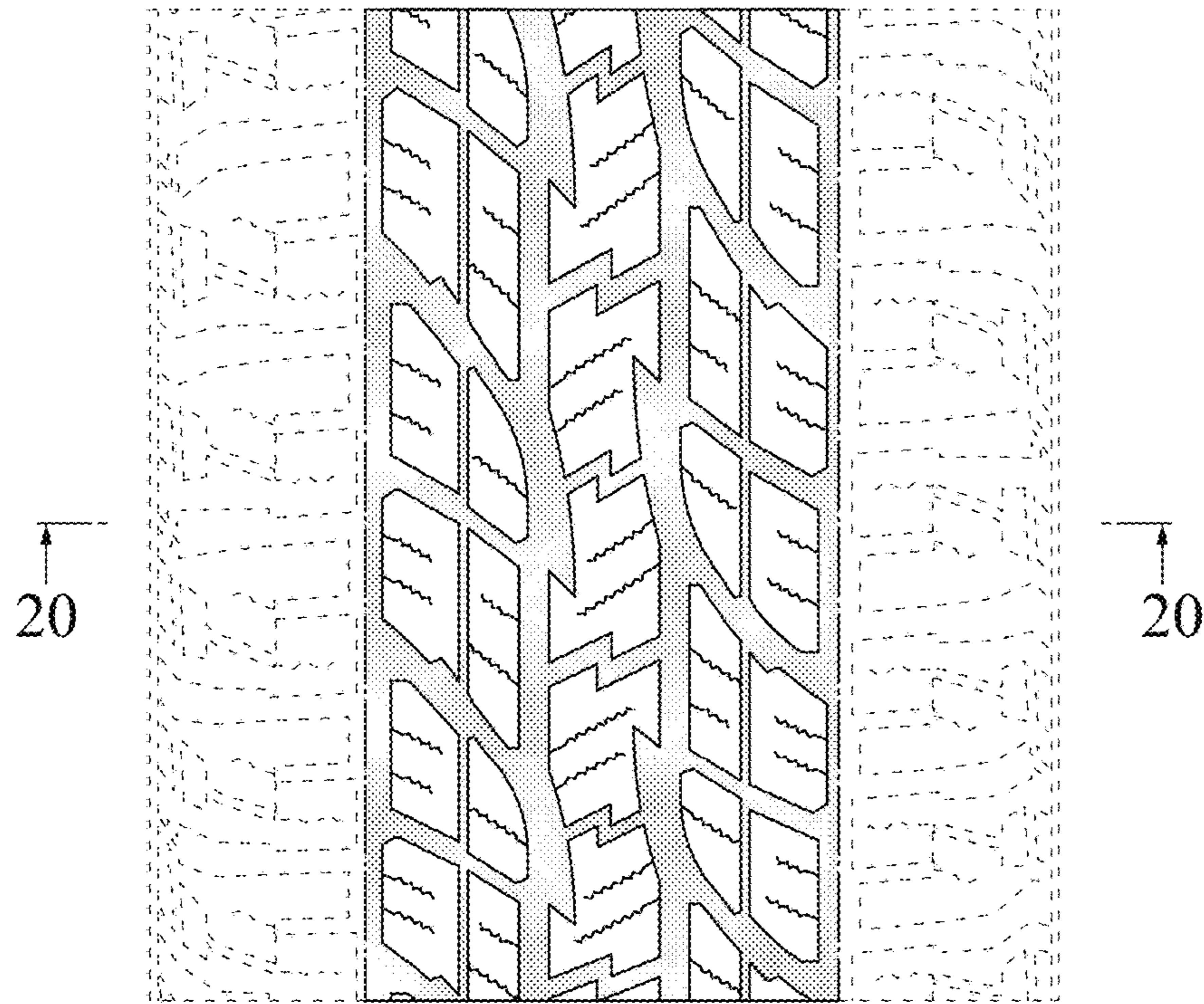


FIG. 20

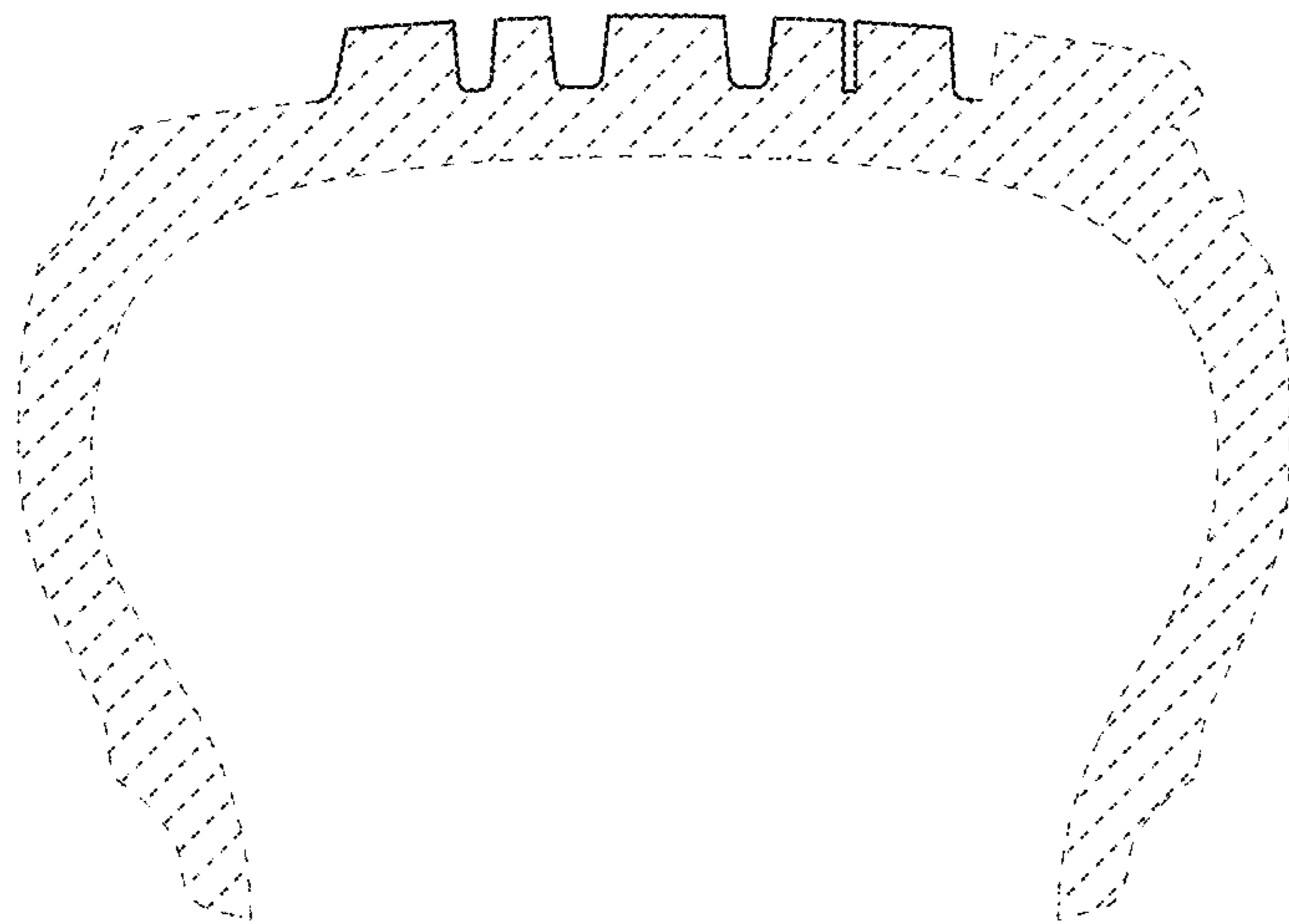


FIG. 21

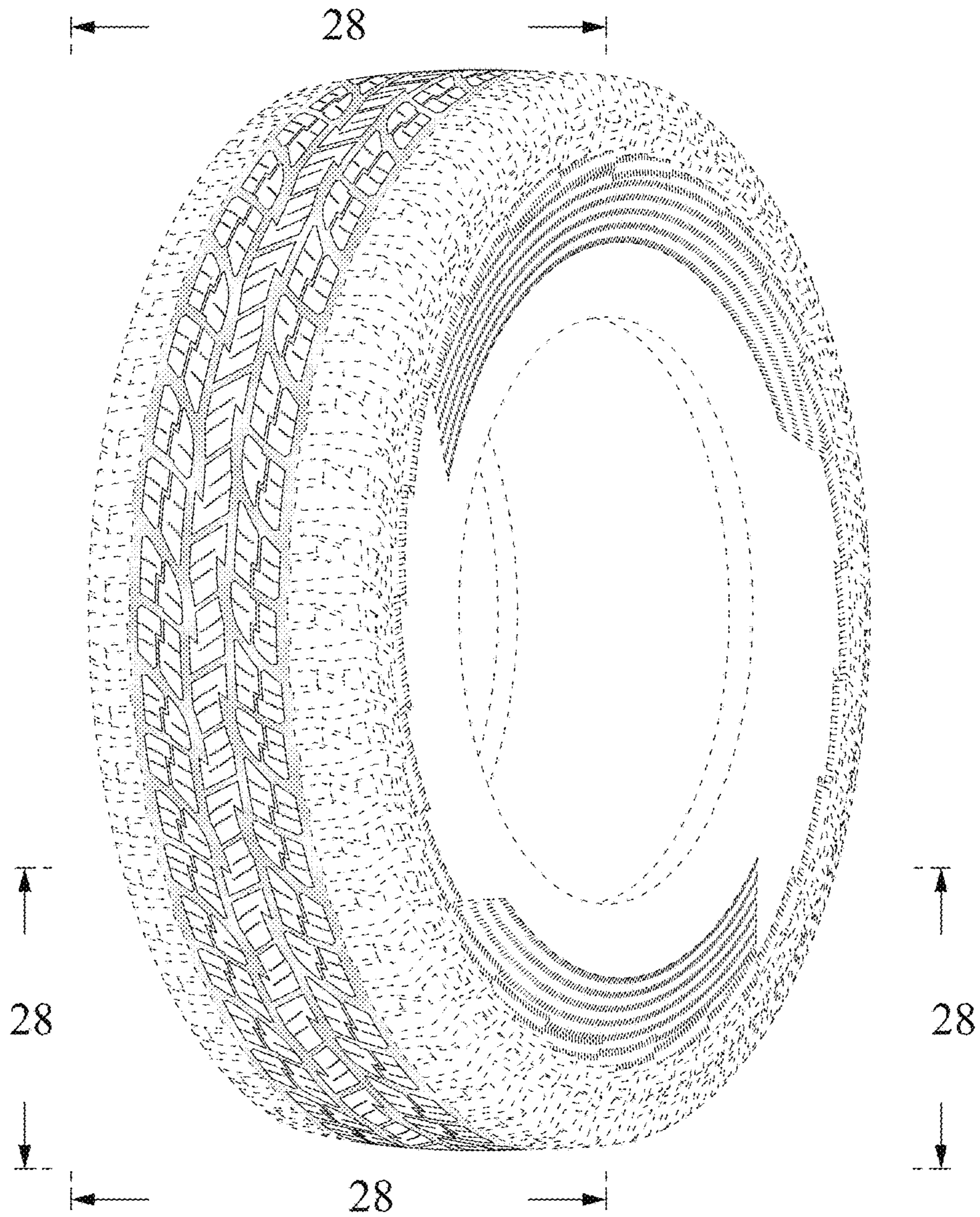


FIG. 22

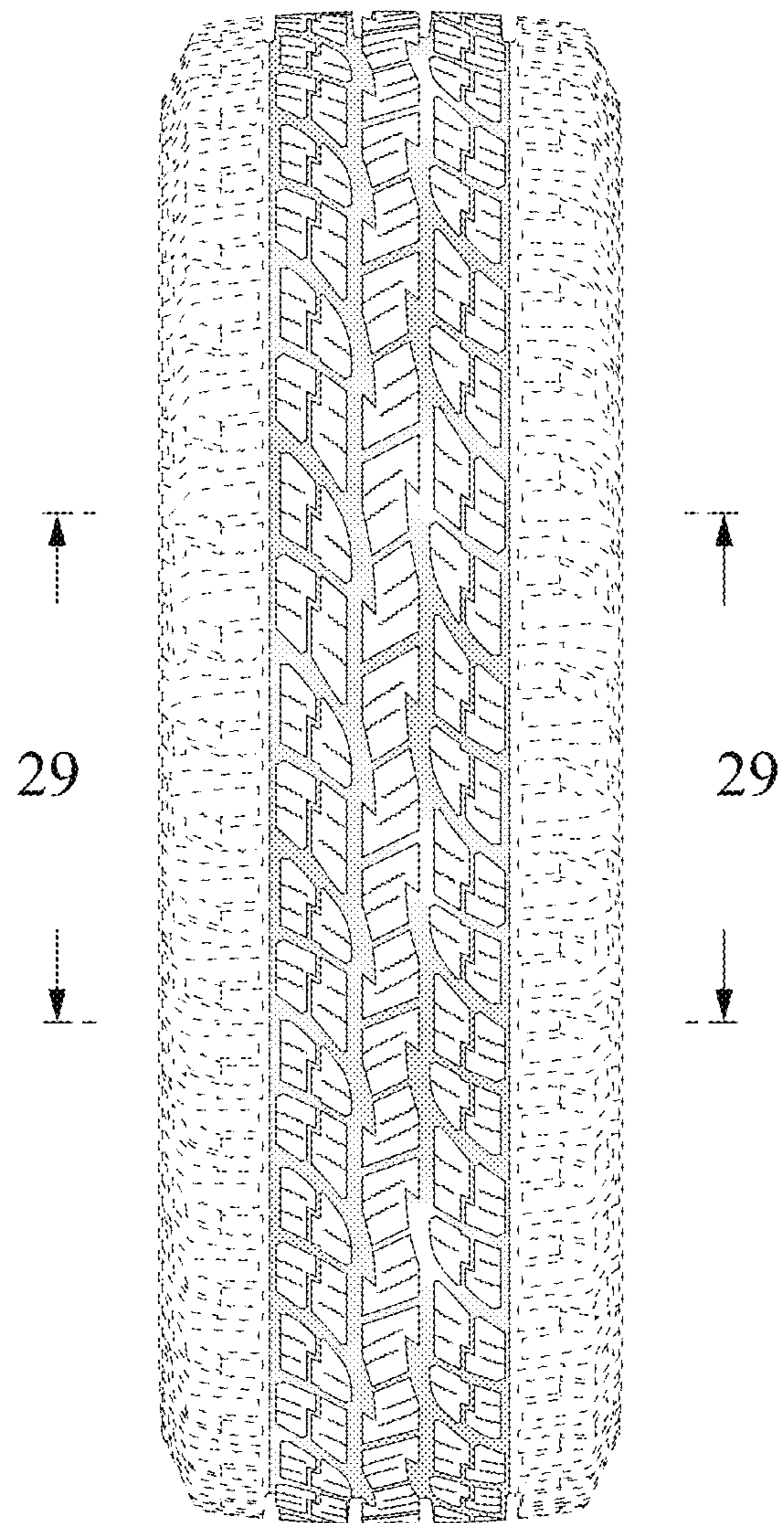


FIG. 23

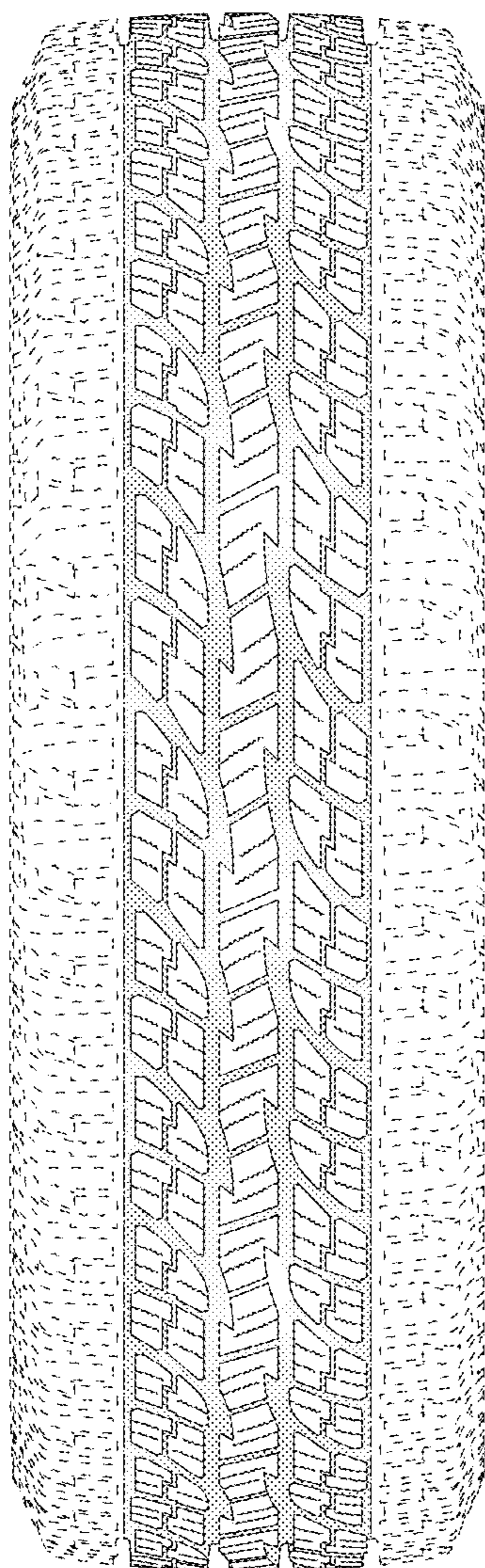


FIG. 24

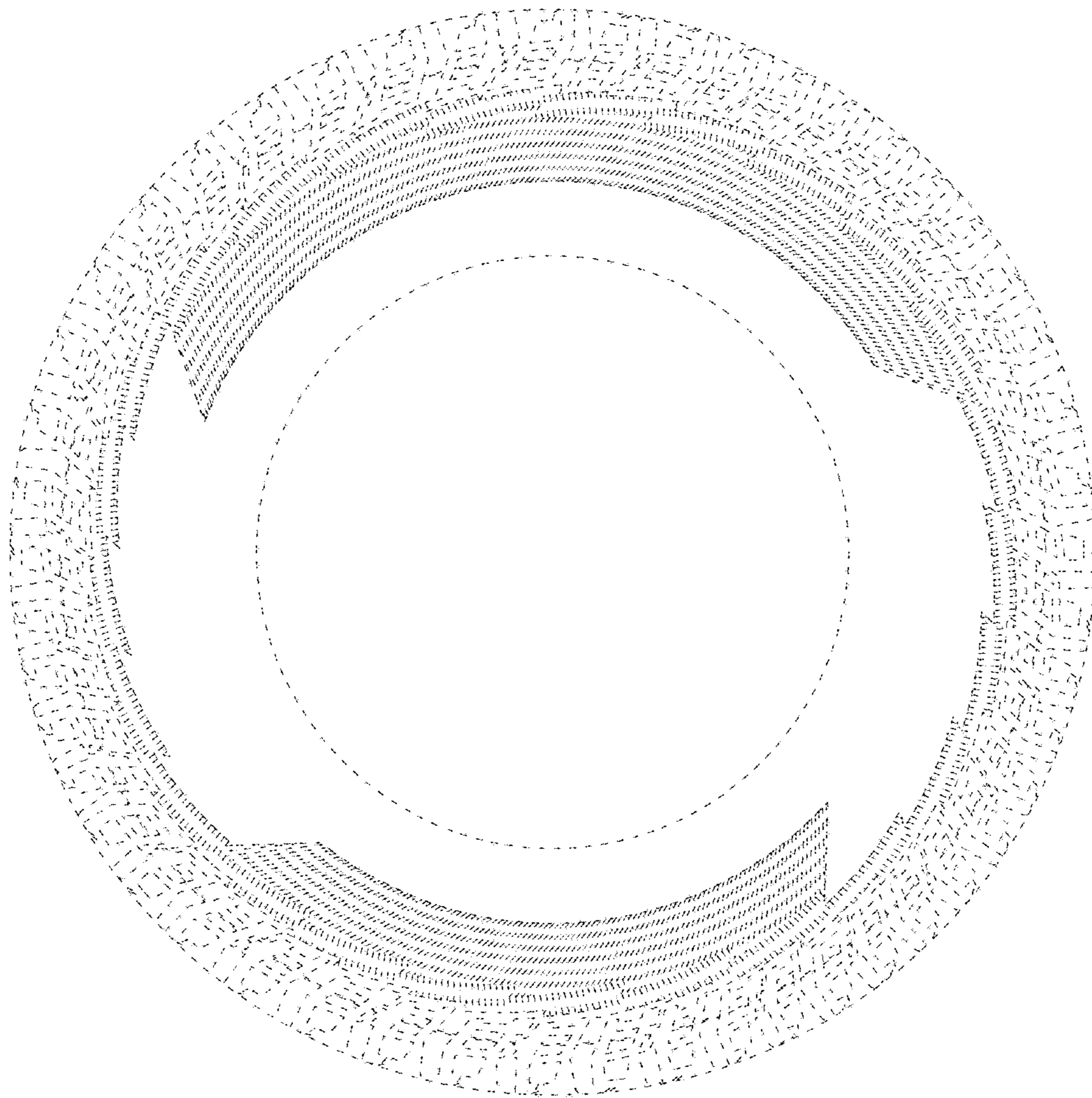


FIG. 25

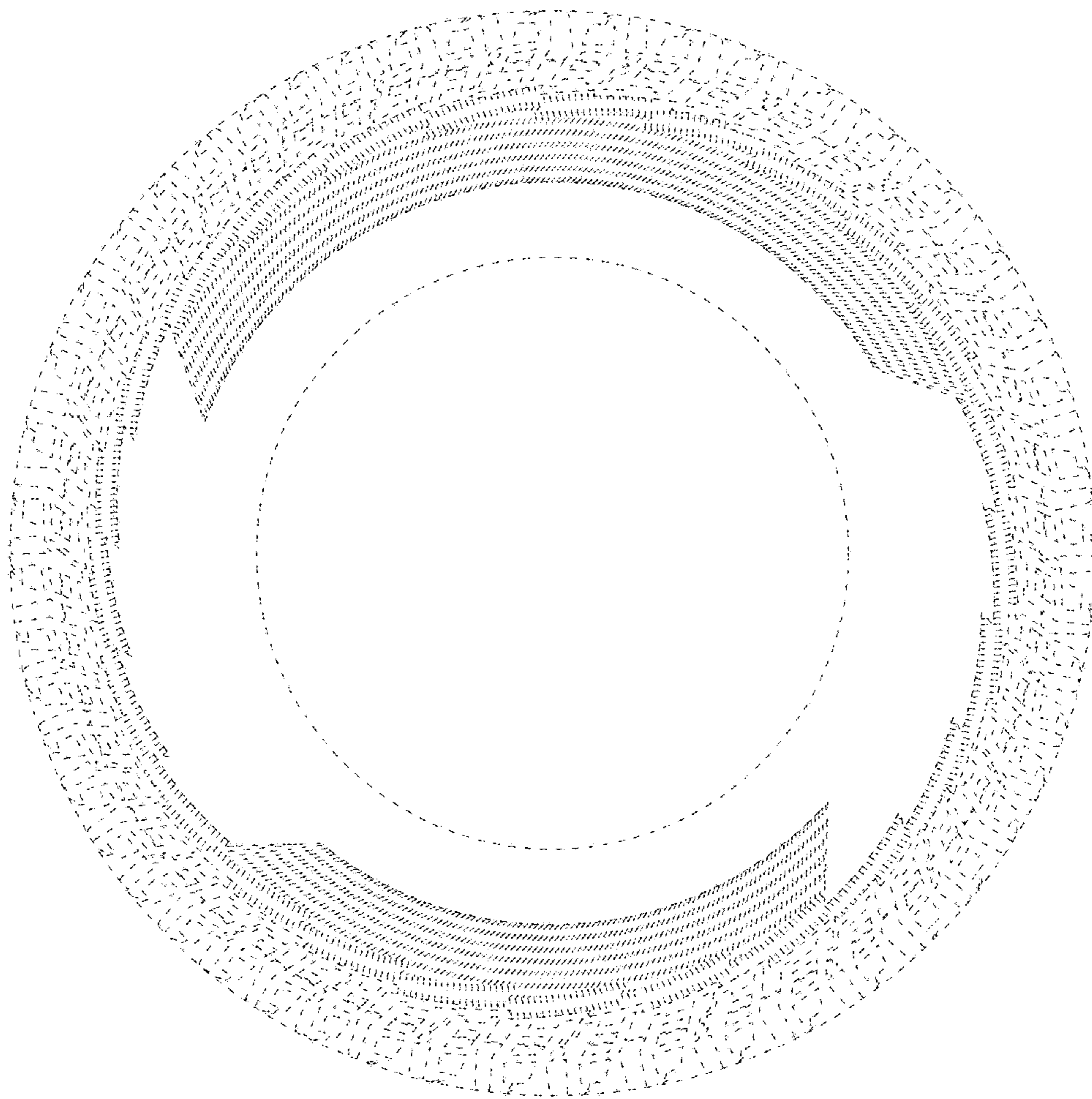


FIG. 26

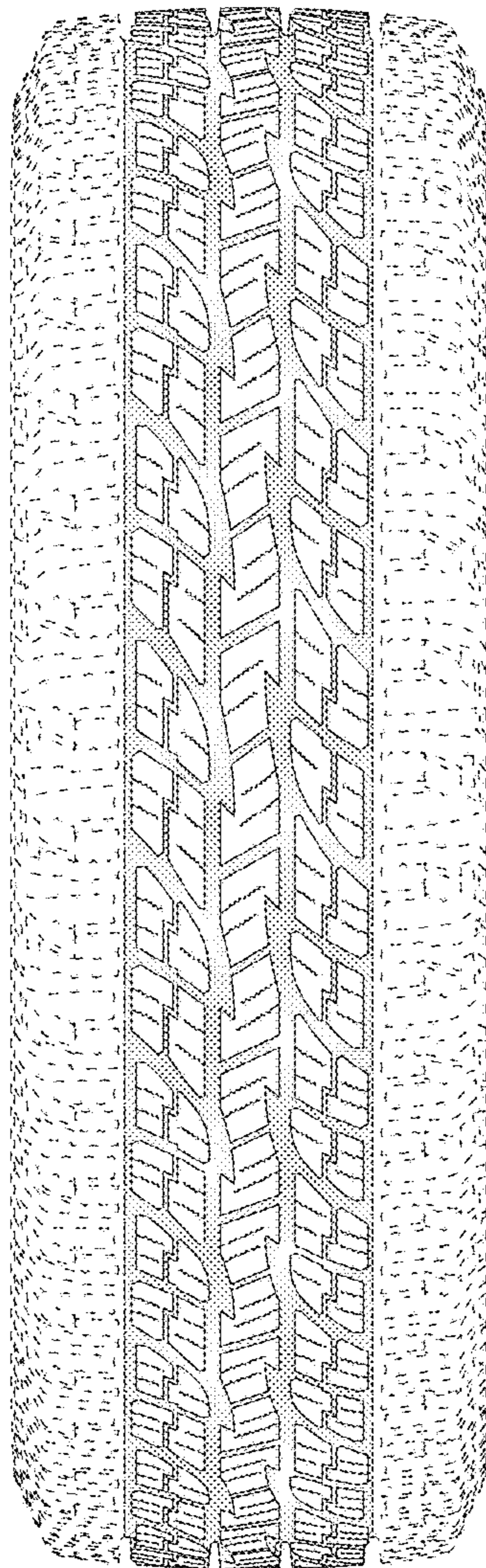


FIG. 27

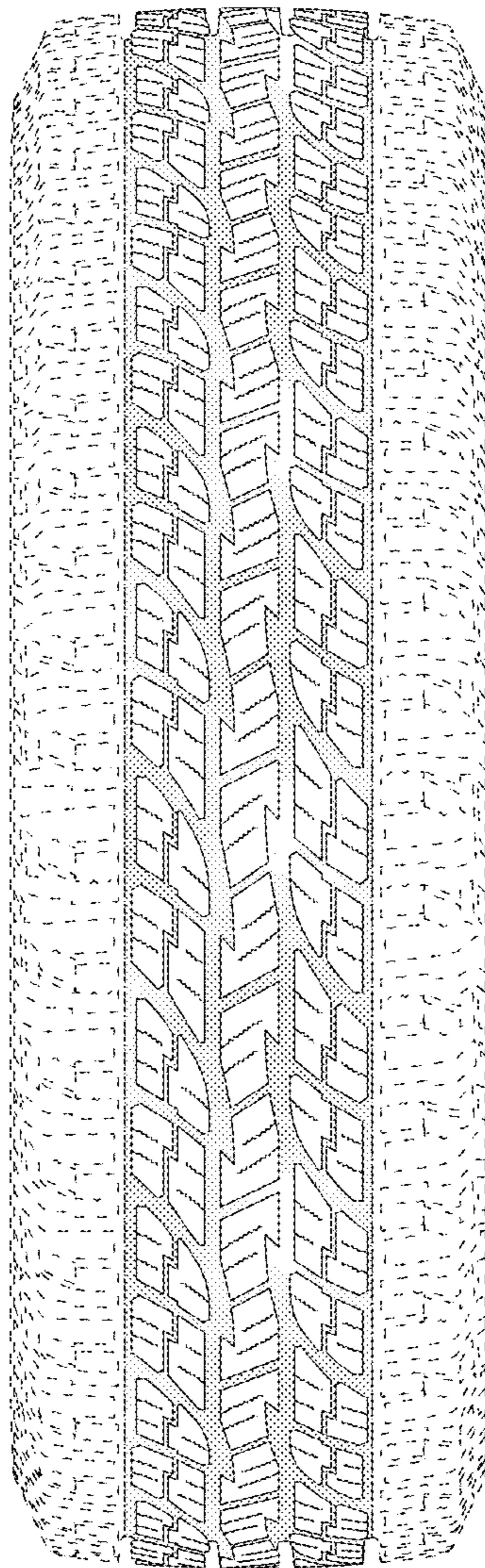


FIG. 28

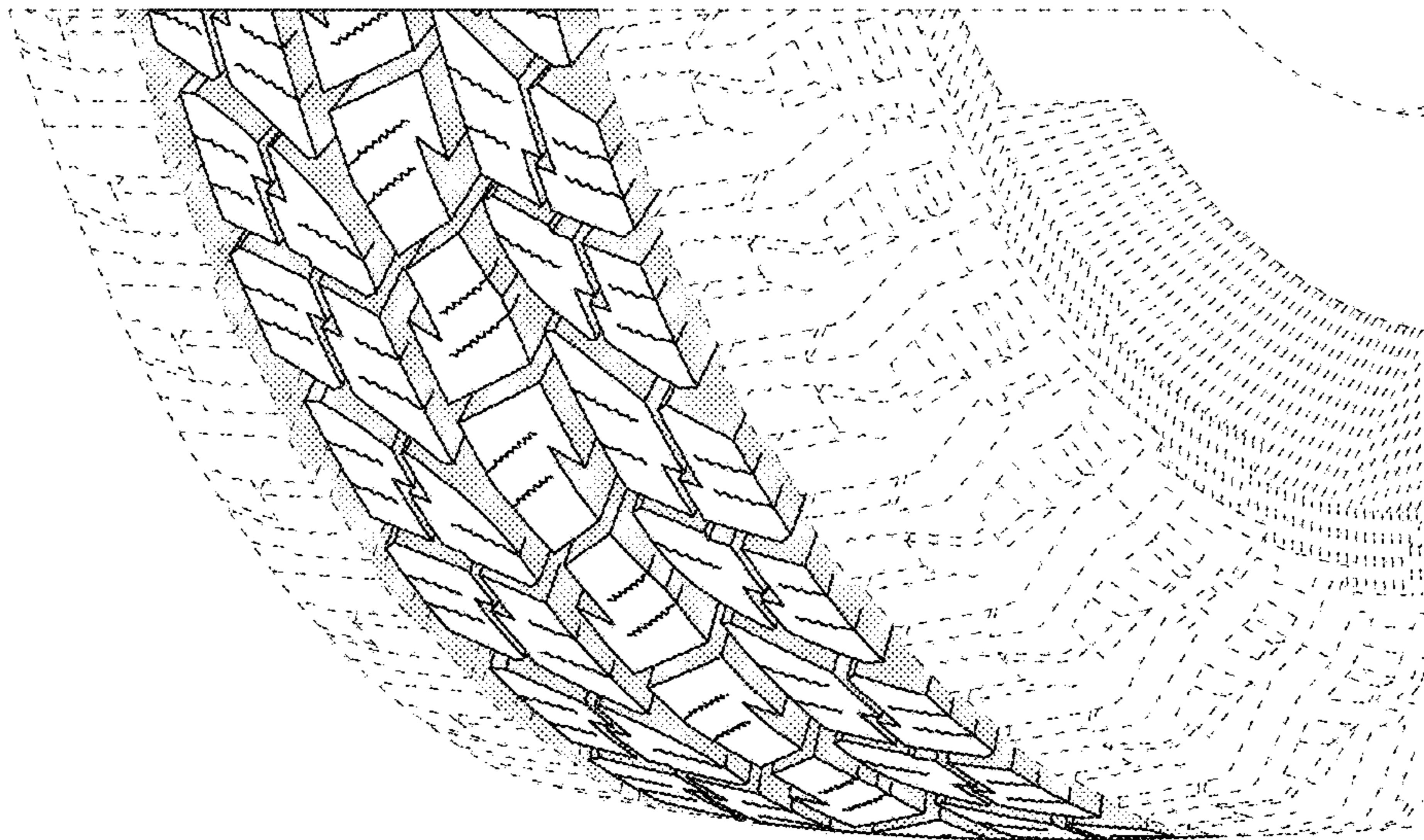


FIG. 29

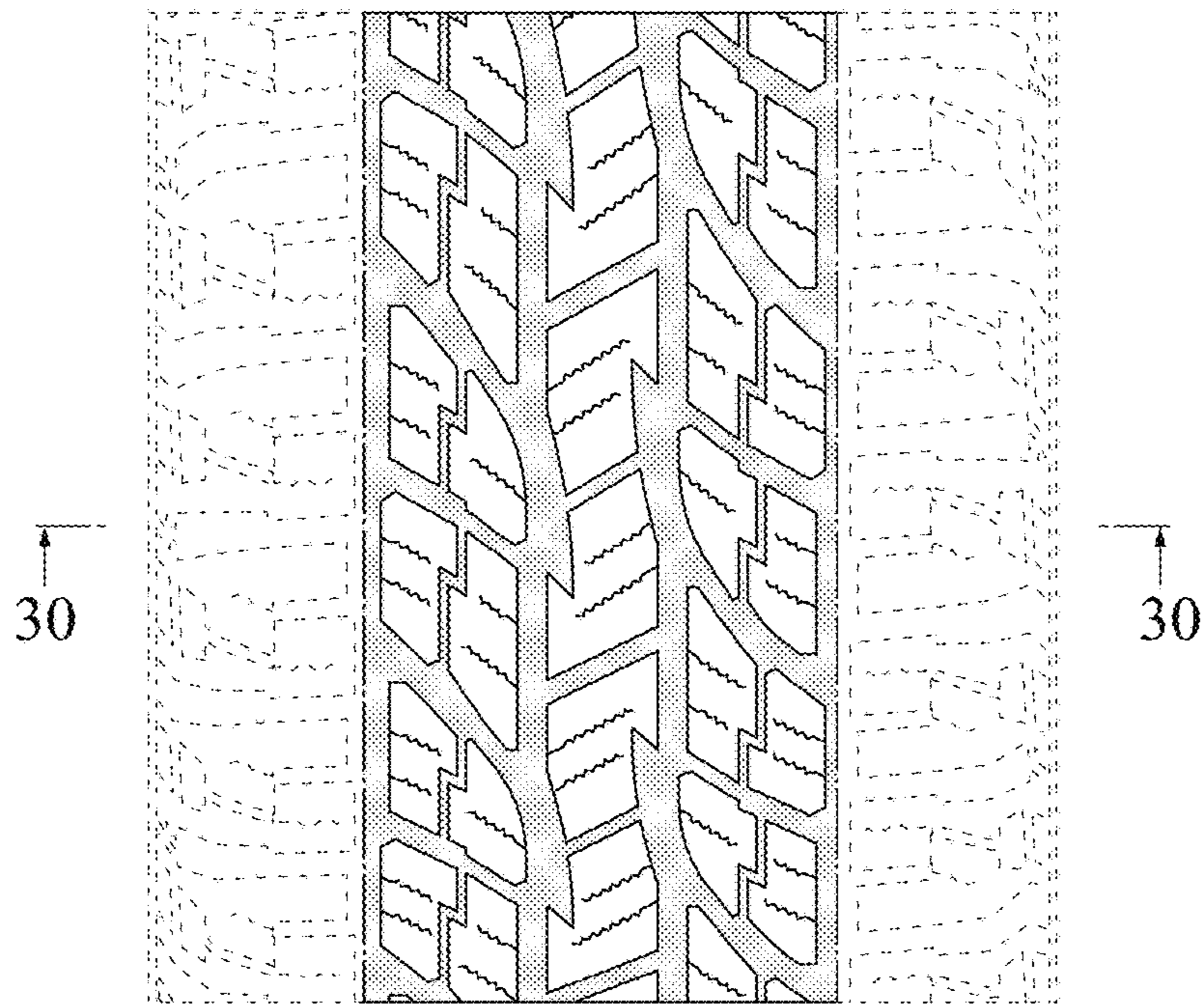


FIG. 30

