



US00D805463S

(12) **United States Design Patent**
Akashi et al.

(10) **Patent No.:** **US D805,463 S**

(45) **Date of Patent:** **** Dec. 19, 2017**

(54) **AUTOMOBILE TIRE**

(71) Applicant: **THE YOKOHAMA RUBBER CO., LTD.**, Minato-ku, Tokyo (JP)

(72) Inventors: **Yasutaka Akashi**, Hiratsuka (JP);
Hiroshi Tokizaki, Tokyo (JP)

(73) Assignee: **THE YOKOHAMA RUBBER CO., LTD.**, Minato-ku, Tokyo (JP)

(**) Term: **15 Years**

(21) Appl. No.: **29/571,851**

(22) Filed: **Jul. 22, 2016**

(30) **Foreign Application Priority Data**

Jan. 29, 2016 (JP) 2016-001922

(51) **LOC (10) Cl.** **12-15**

(52) **U.S. Cl.**
USPC **D12/594**

(58) **Field of Classification Search**
USPC D12/531, 532, 564, 565, 566, 567, 594,
D12/595, 599, 600, 601, 604, 605
CPC . B60C 11/03; B60C 11/0306; B60C 11/0311;
B60C 2011/0341; B60C 2011/0346;
B60C 2011/0374
See application file for complete search history.

(56) **References Cited**

U.S. PATENT DOCUMENTS

D427,951 S * 7/2000 Takei D12/600
D490,366 S * 5/2004 Kindig D12/601
D510,065 S * 9/2005 Kuramochi D12/601

D517,979 S * 3/2006 Dumigan D12/600

* cited by examiner

Primary Examiner — Robert M Spear

(74) *Attorney, Agent, or Firm* — Banner & Witcoff, Ltd.

(57) **CLAIM**

The ornamental design for an automobile tire, as shown and described.

DESCRIPTION

FIG. 1 is a perspective view of an automobile tire showing our new design;
FIG. 2 is a front view thereof;
FIG. 3 is a rear view thereof;
FIG. 4 is a right side view thereof;
FIG. 5 is a left side view thereof;
FIG. 6 is a top view thereof;
FIG. 7 is a bottom view thereof;
FIG. 8 is an enlarged partial view of the portion defined by lines 8-8 shown in FIG. 1;
FIG. 9 is an enlarged partial view of the portion defined by lines 9-9 shown in FIG. 2; and,
FIG. 10 is an enlarged cross sectional view of the portion defined by lines 10-10 shown in FIG. 9.
In the drawings evenly-spaced, the broken lines depict environmental subject matter only and form no part of the claimed design. The dot and dashed lines represent a boundary between the claimed portion and the non-claimed portion.

1 Claim, 10 Drawing Sheets

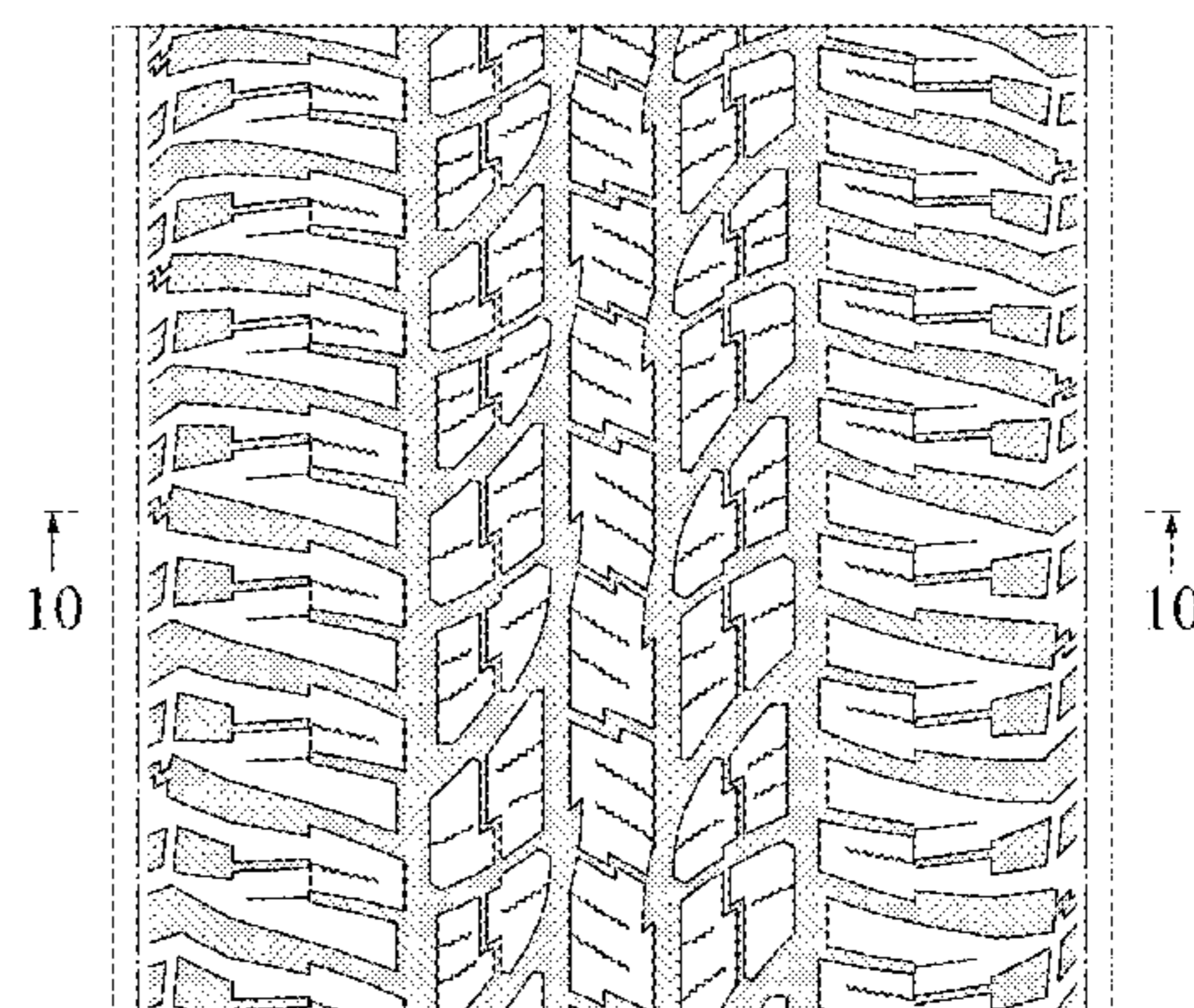
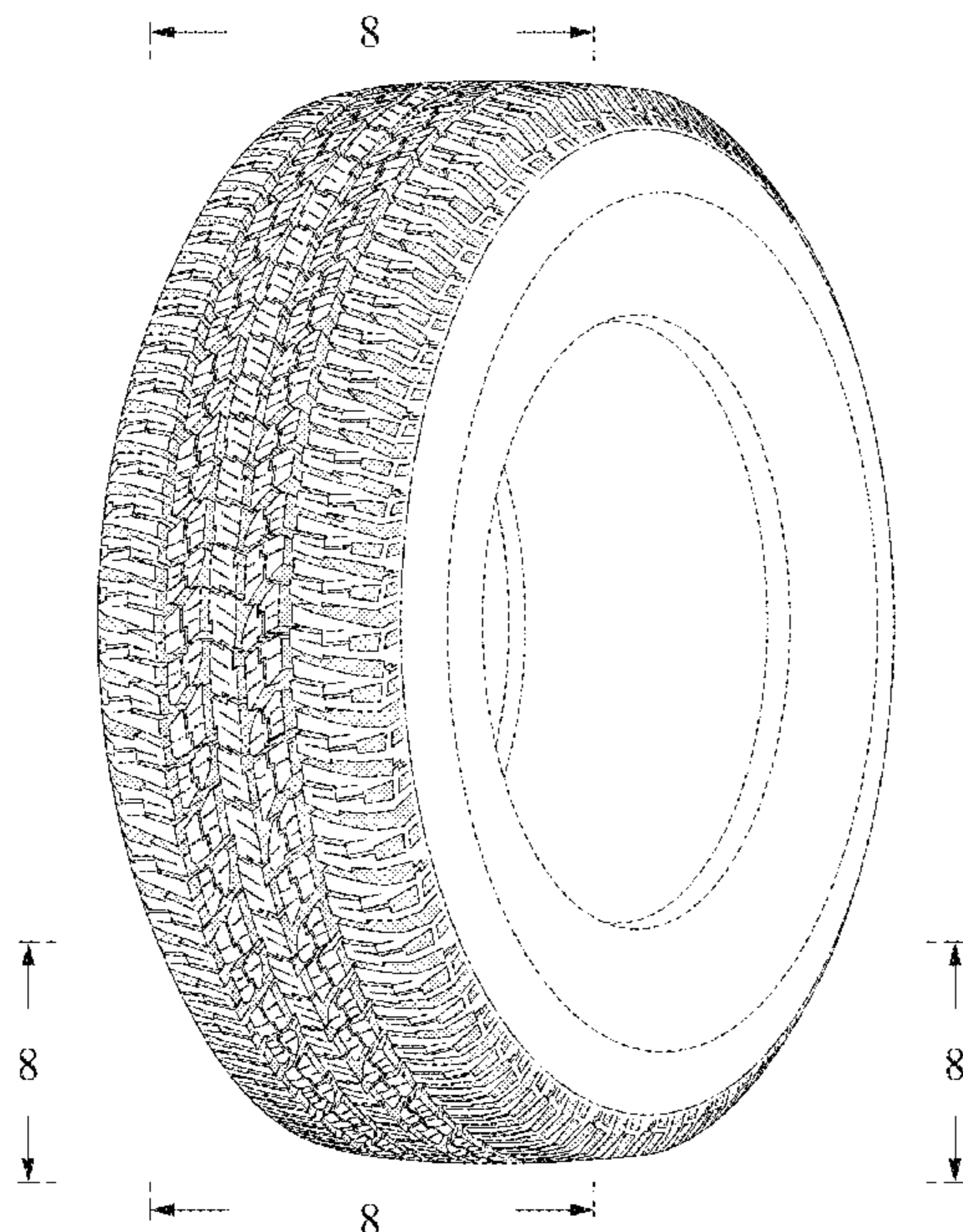


FIG. 1

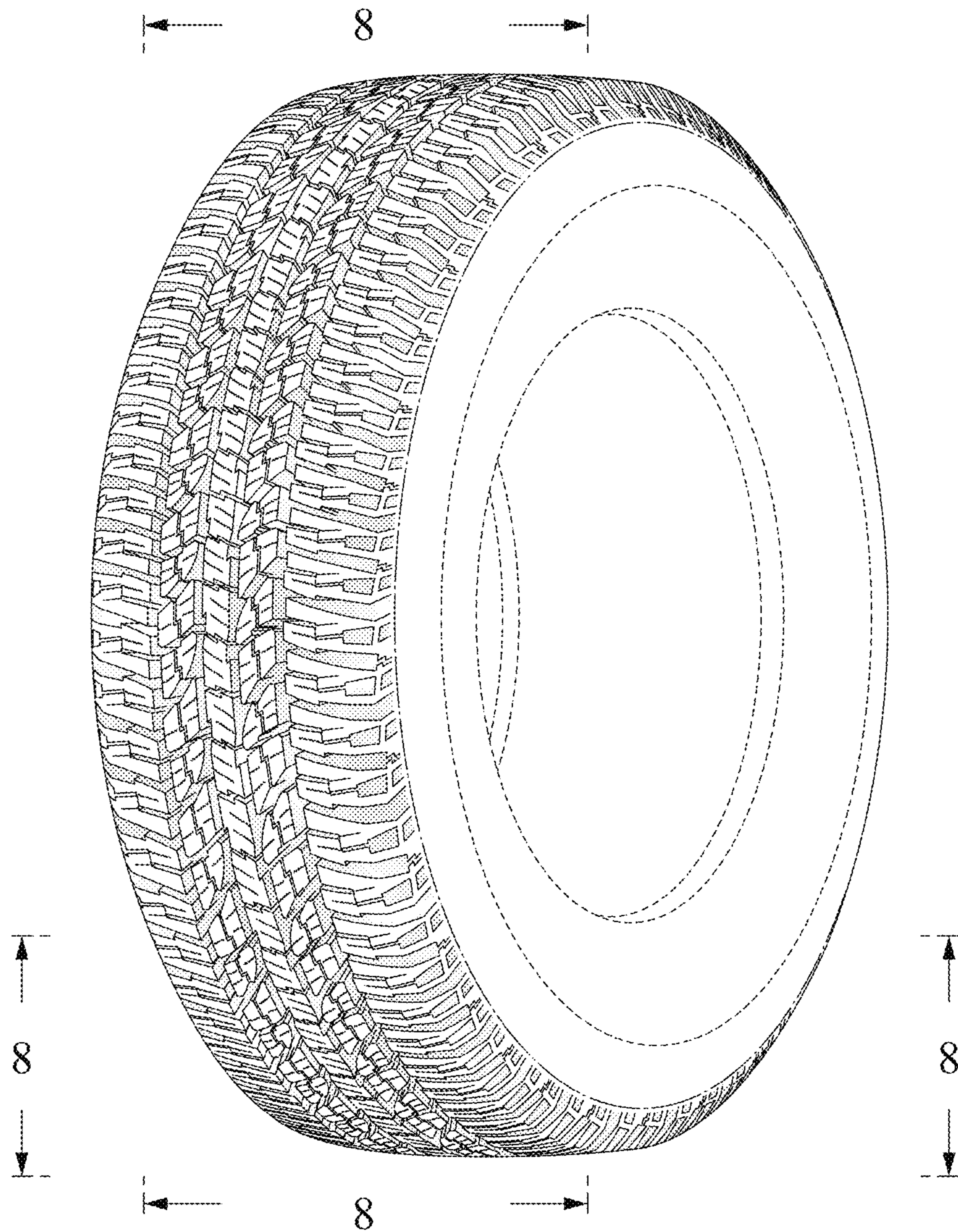


FIG. 2

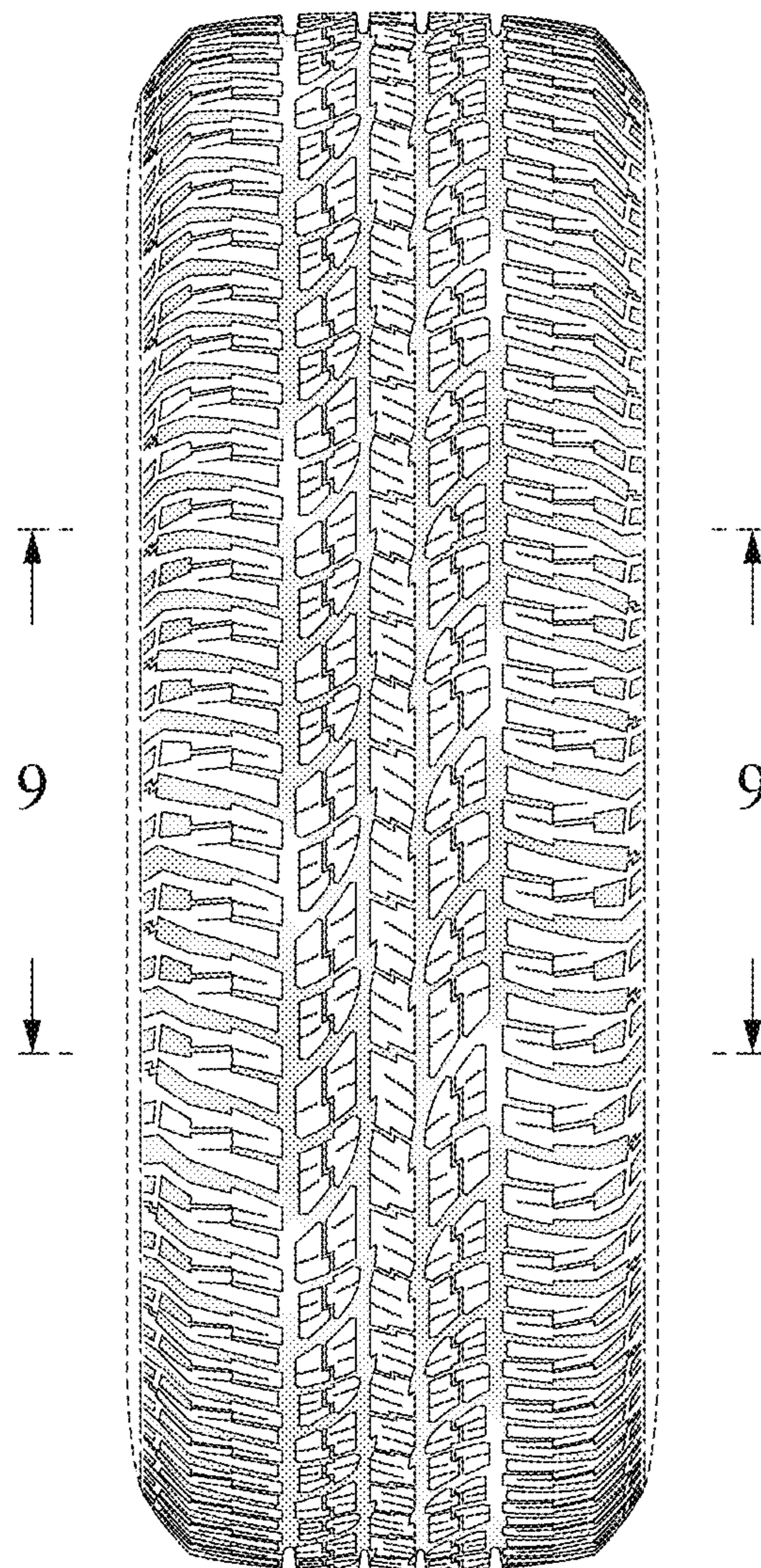


FIG. 3

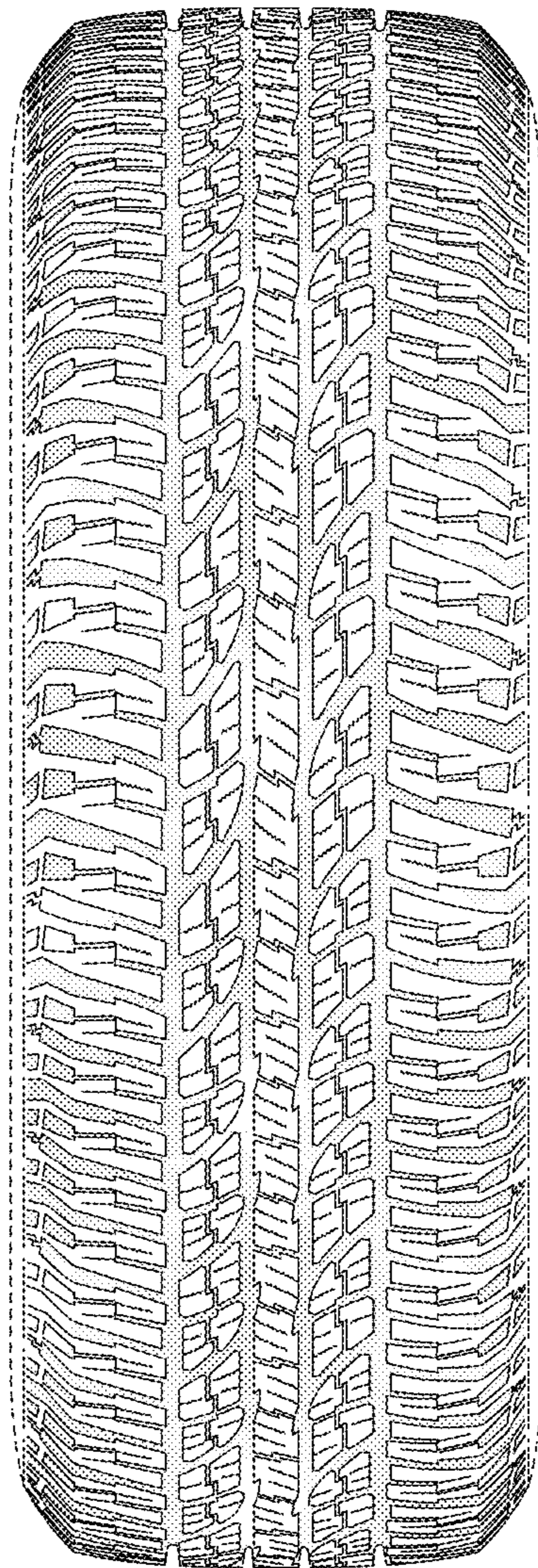


FIG. 4

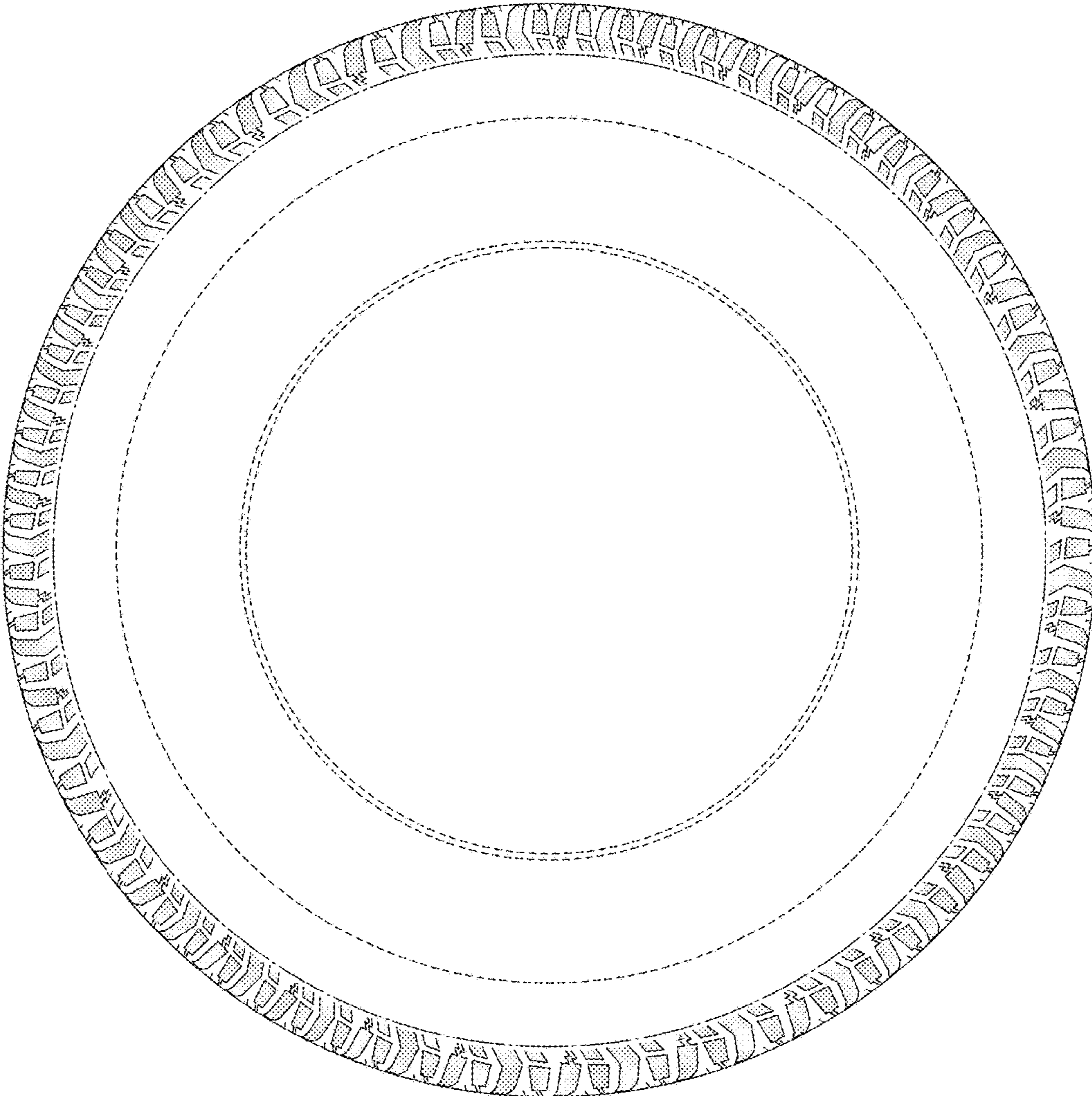


FIG. 5

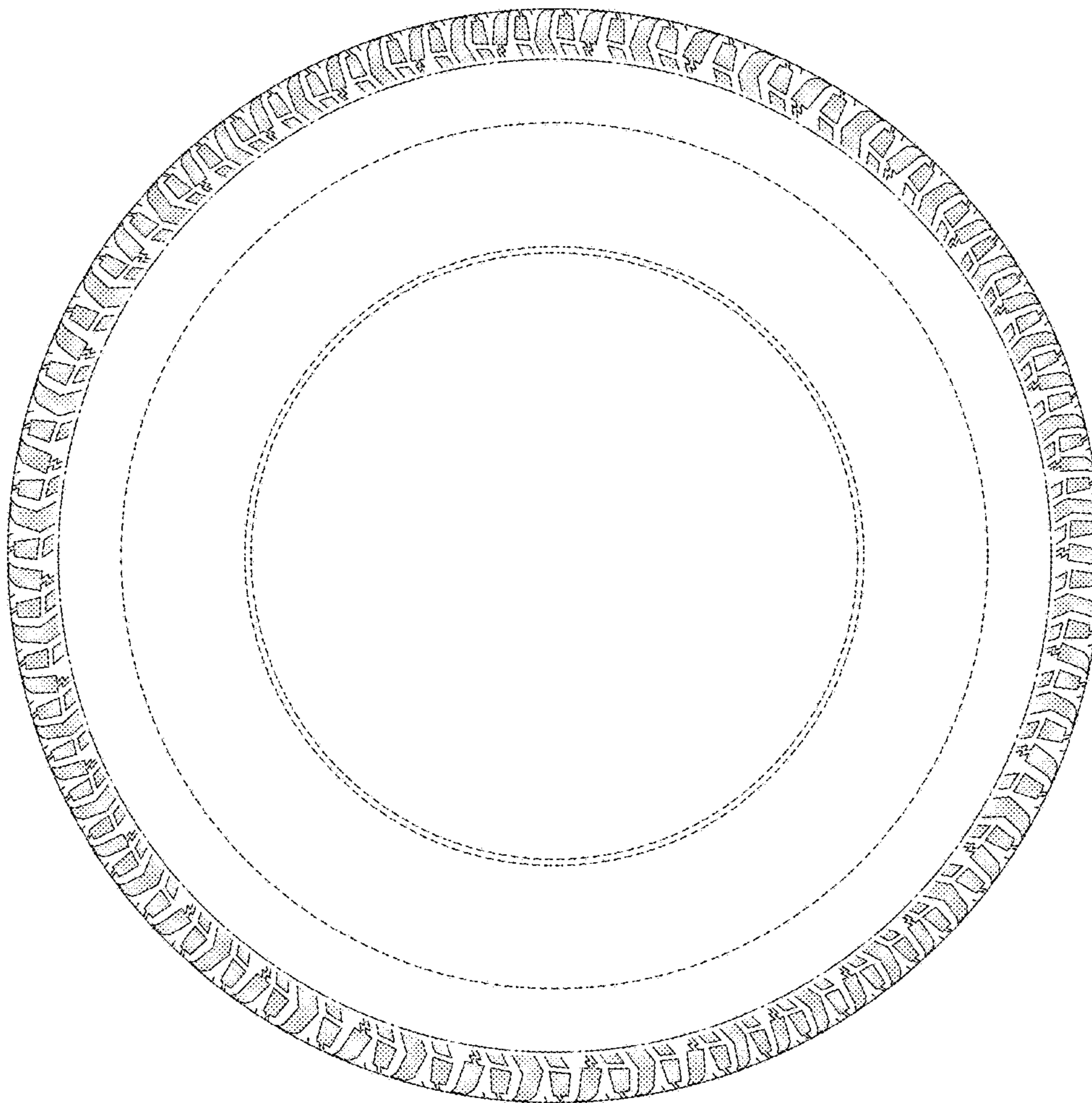


FIG. 6

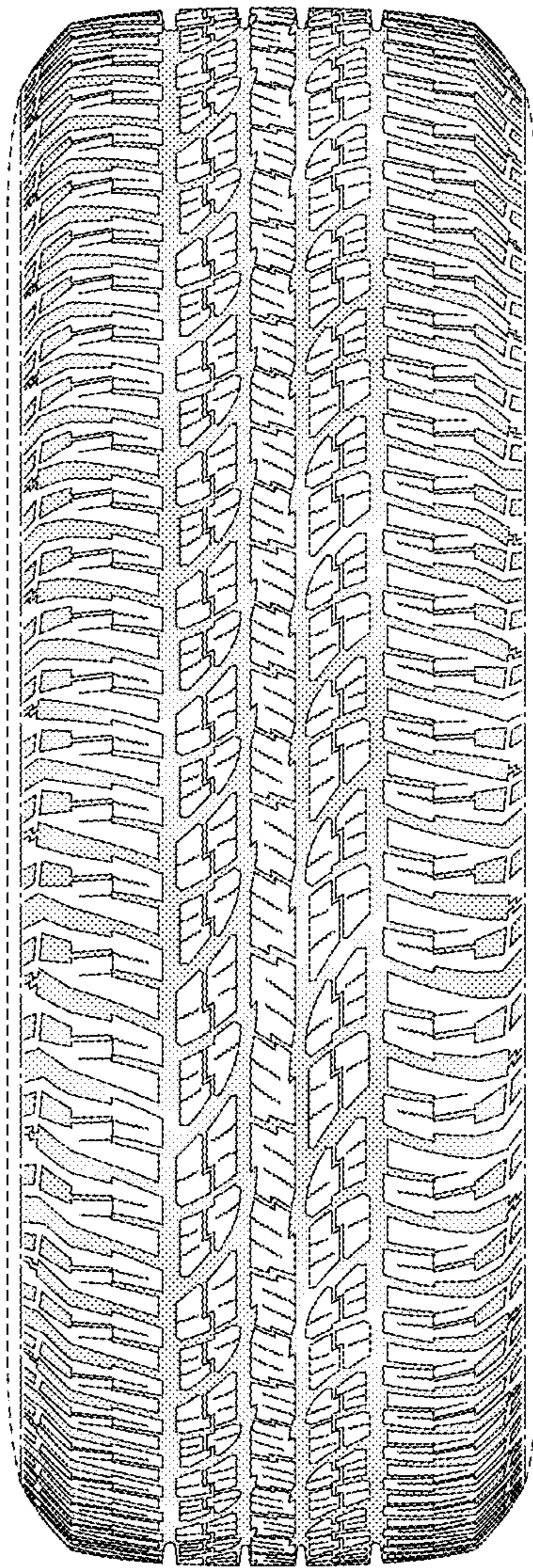


FIG. 7

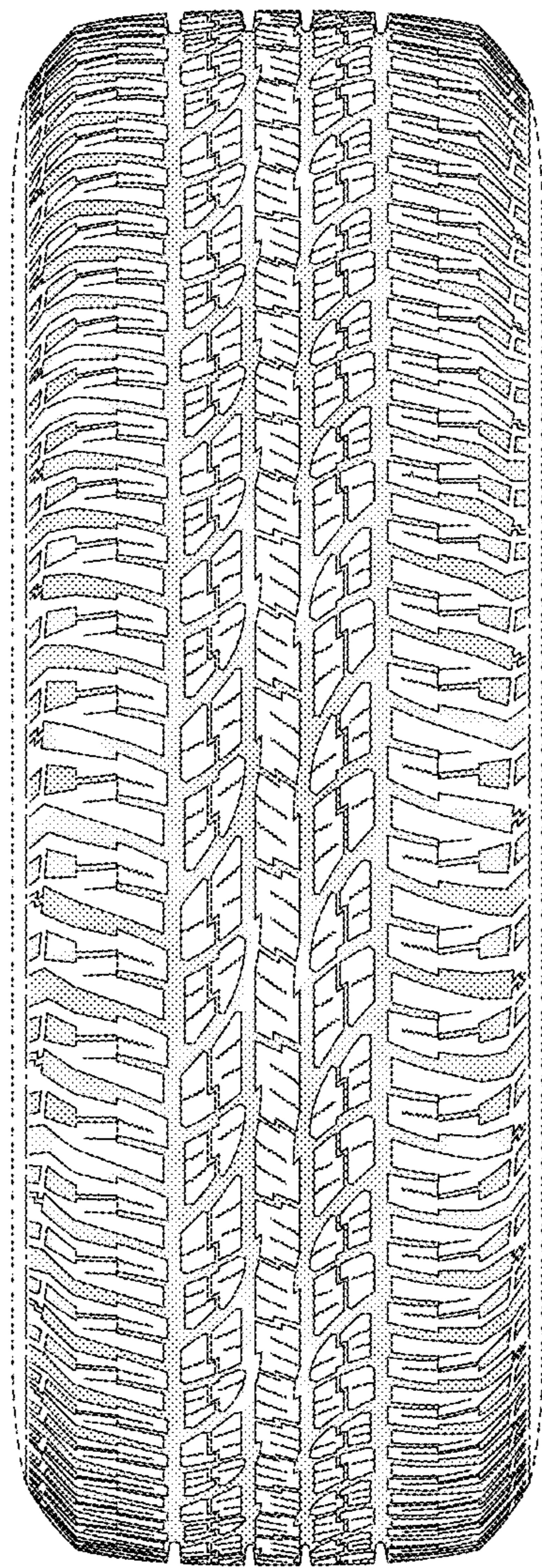


FIG. 8

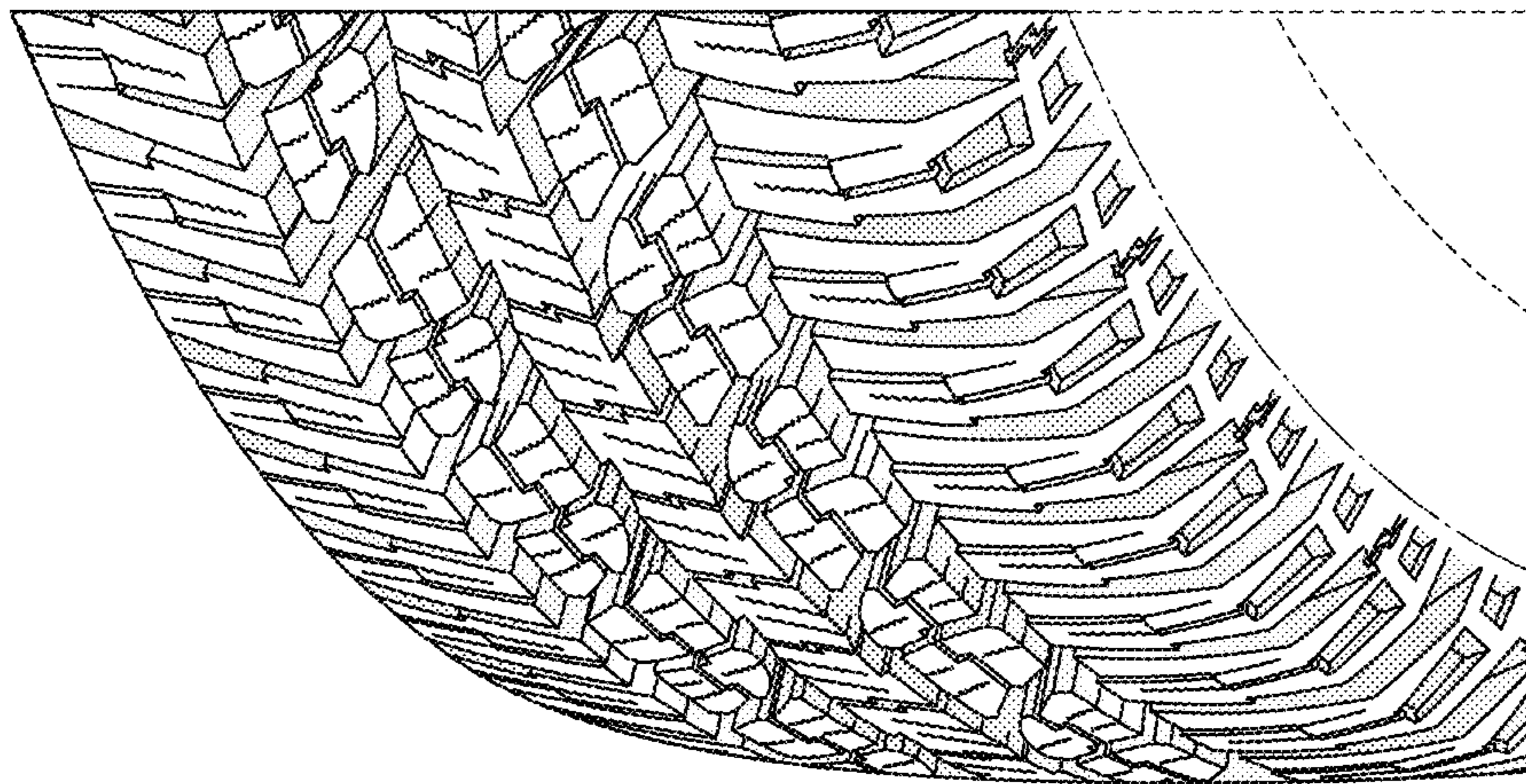


FIG. 9

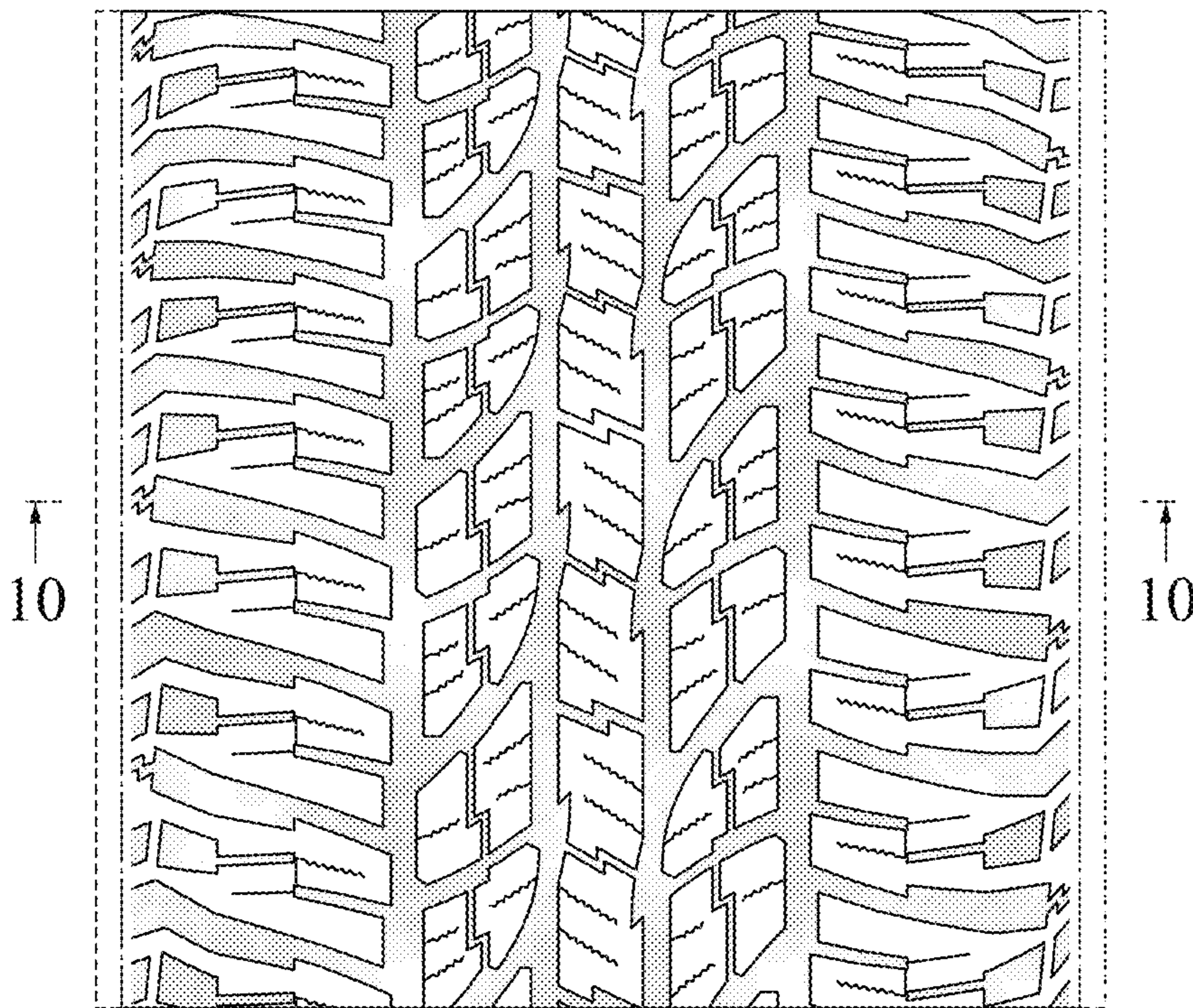


FIG. 10

