



US00D805459S

(12) **United States Design Patent**  
**Choo et al.**

(10) **Patent No.:** **US D805,459 S**

(45) **Date of Patent:** **\*\* Dec. 19, 2017**

(54) **BLACK BOX FOR VEHICLE**

(71) Applicant: **LG ELECTRONICS INC.**, Seoul  
(KR)

(72) Inventors: **Zhimin Choo**, Seoul (KR); **Sanghyuck Lee**, Seoul (KR); **Hyunjin Yoon**, Seoul (KR)

(73) Assignee: **LG ELECTRONICS INC.**, Seoul  
(KR)

(\*\*) Term: **15 Years**

(21) Appl. No.: **29/533,720**

(22) Filed: **Jul. 21, 2015**

(30) **Foreign Application Priority Data**

Jan. 22, 2015 (KR) ..... 30-2015-0003604

(51) **LOC (10) Cl.** ..... **12-16**

(52) **U.S. Cl.**  
USPC ..... **D12/400**

(58) **Field of Classification Search**  
USPC ..... D12/107, 110, 114, 115, 117, 126, 400,  
D12/401, 404, 415, 423, 179; D25/48.1,  
D25/48.3  
CPC . B60R 1/025; B60R 1/08; B62H 5/001; B62J  
9/006; B65D 43/16; B65D 43/22; B65D  
55/02; F21S 48/00; G01S 13/931  
See application file for complete search history.

(56) **References Cited**

**U.S. PATENT DOCUMENTS**

- D530,246 S \* 10/2006 Shipman ..... D12/162
- 8,590,229 B2 \* 11/2013 Taylor ..... E04F 11/062
- 182/46
- D696,932 S \* 1/2014 Rodenhouse ..... D8/399
- D736,054 S \* 8/2015 Heva ..... D8/303
- D741,777 S \* 10/2015 Henderson ..... D12/213
- D742,214 S \* 11/2015 Yuan ..... D8/399

- D745,369 S \* 12/2015 Tungesvick ..... D8/349
- D748,098 S \* 1/2016 Khodapanah ..... D14/447
- D748,973 S \* 2/2016 Rodenhouse ..... D8/399

(Continued)

**OTHER PUBLICATIONS**

Unseen Sensors, image post date May 2, 2014, site visited Apr. 19, 2017, (online), <<http://designmind.frogdesign.com/2014/05/unseen.sensors-constantly-sensing-rarely-seen/>>.\*

(Continued)

*Primary Examiner* — Kevin Rudzinski

*Assistant Examiner* — Sean D Lough

(74) *Attorney, Agent, or Firm* — Birch, Stewart, Kolasch & Birch, LLP

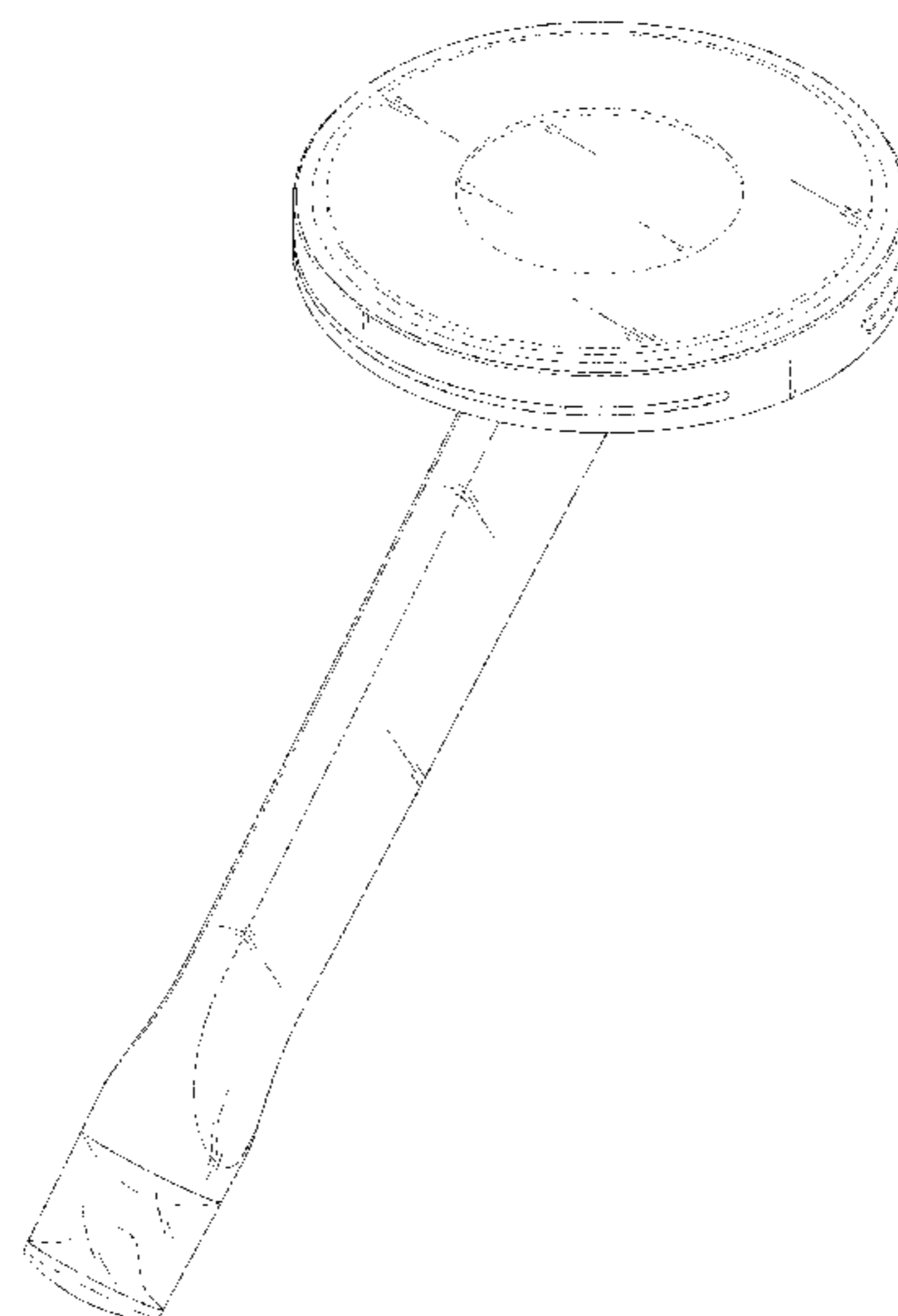
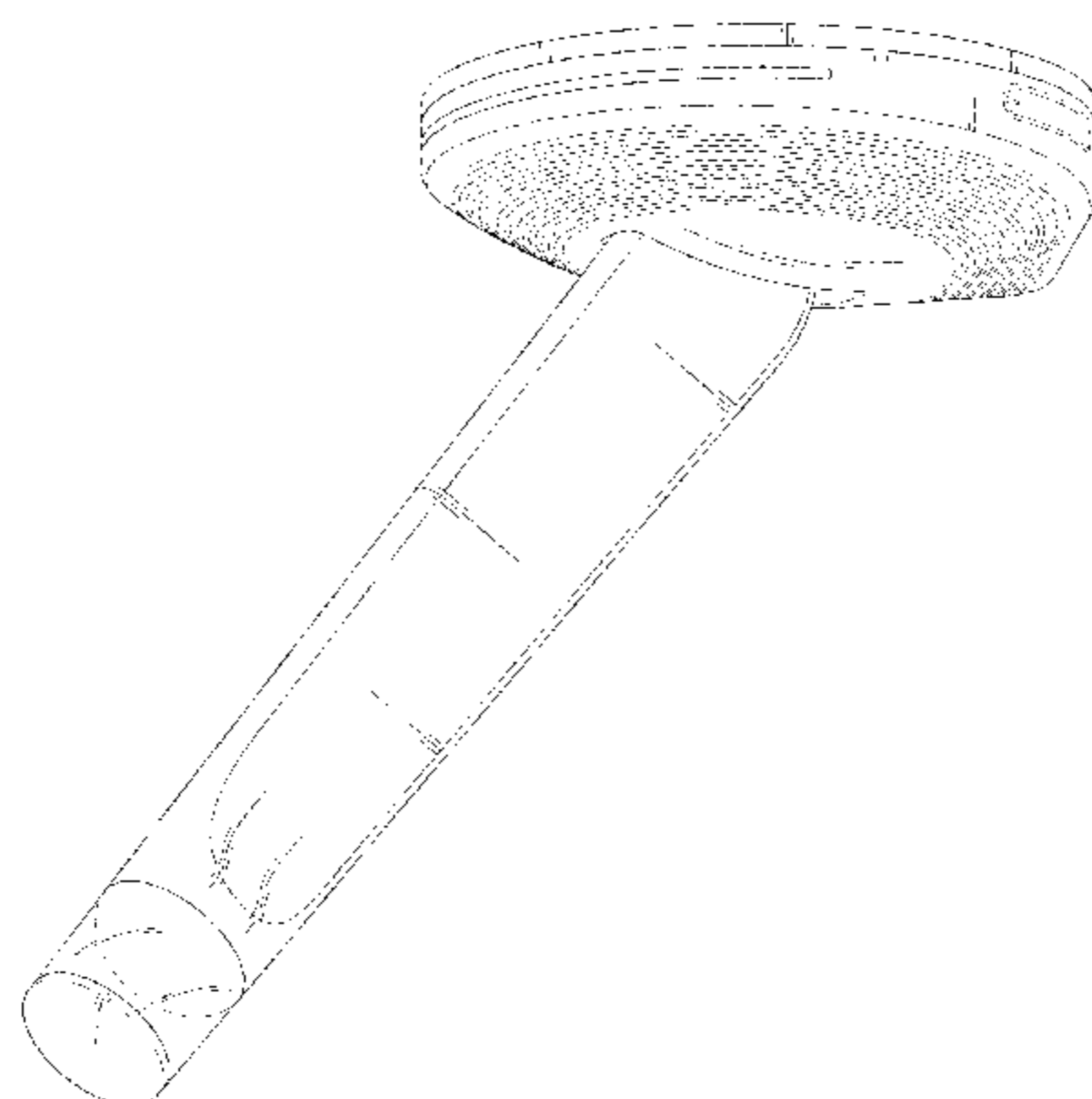
(57) **CLAIM**

The ornamental design for a black box for vehicle, as shown and described.

**DESCRIPTION**

FIG. 1 is a bottom perspective view of a black box for vehicle showing our new design;  
 FIG. 2 is a front view thereof;  
 FIG. 3 is a rear view thereof;  
 FIG. 4 is a left side view thereof;  
 FIG. 5 is a right side view thereof;  
 FIG. 6 is a top plan view thereof;  
 FIG. 7 is a bottom plan view thereof;  
 FIG. 8 is a top perspective view thereof; and,  
 FIG. 9 is a right side view thereof showing an example of the usage of the subject design in which the black box is installed inside the vehicle (windshield).  
 The broken lines depict portions of the black box for vehicle that form no part of the claimed design. The environment of FIG. 9 forms no part of the claimed design and the dash dot line surrounding said environment forms a boundary of the environment that also forms no part of the claimed design.

**1 Claim, 9 Drawing Sheets**



(56)

**References Cited**

## U.S. PATENT DOCUMENTS

D773,972 S \* 12/2016 Cloete ..... D12/197  
D773,995 S \* 12/2016 Jabaji ..... D13/112  
D774,984 S \* 12/2016 Panichgasem ..... D12/118  
D779,706 S \* 2/2017 Starck ..... D26/93  
2006/0289541 A1\* 12/2006 Boback ..... B65D 43/0254  
220/266  
2009/0193632 A1\* 8/2009 Yeh ..... B62J 9/006  
24/581.1  
2015/0158641 A1\* 6/2015 Choi ..... B65D 51/18  
220/255  
2016/0009459 A1\* 1/2016 Miyamoto ..... B43K 23/08  
220/259.1  
2016/0051071 A1\* 2/2016 Buck ..... A47G 21/187  
239/33  
2016/0123559 A1\* 5/2016 Ahn ..... F21V 14/04  
362/510  
2017/0057707 A1\* 3/2017 Lin ..... B65D 43/22

## OTHER PUBLICATIONS

MagicMOUNT window, image post date Feb. 28, 2014, site visited  
Apr. 21, 2017, (online), <[http://www.scosche.com/  
mmwindow#product\\_tabs\\_review\\_tabbed](http://www.scosche.com/mmwindow#product_tabs_review_tabbed)>.\*  
Samsung Galaxy Black Universal Vehicle Navigation Mount ECS-  
K200BEGSTA, image post date Aug. 4, 2013, site visited Apr. 21,  
2017, (online), <[https://www.newegg.com/Product/Product.  
aspx?Item=9SIA3PC2U26469](https://www.newegg.com/Product/Product.aspx?Item=9SIA3PC2U26469)>.\*

\* cited by examiner

FIG. 1

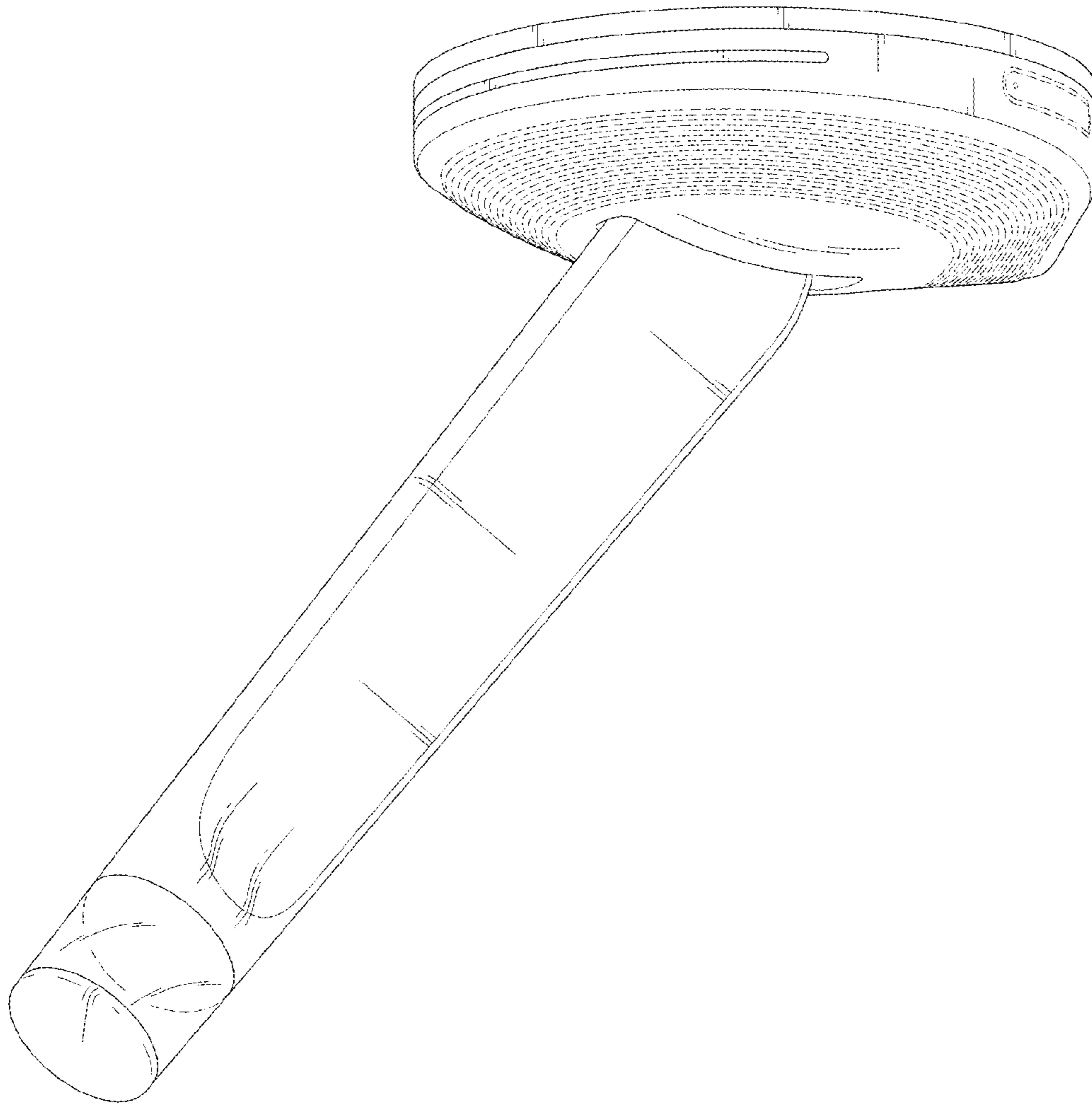


FIG. 2

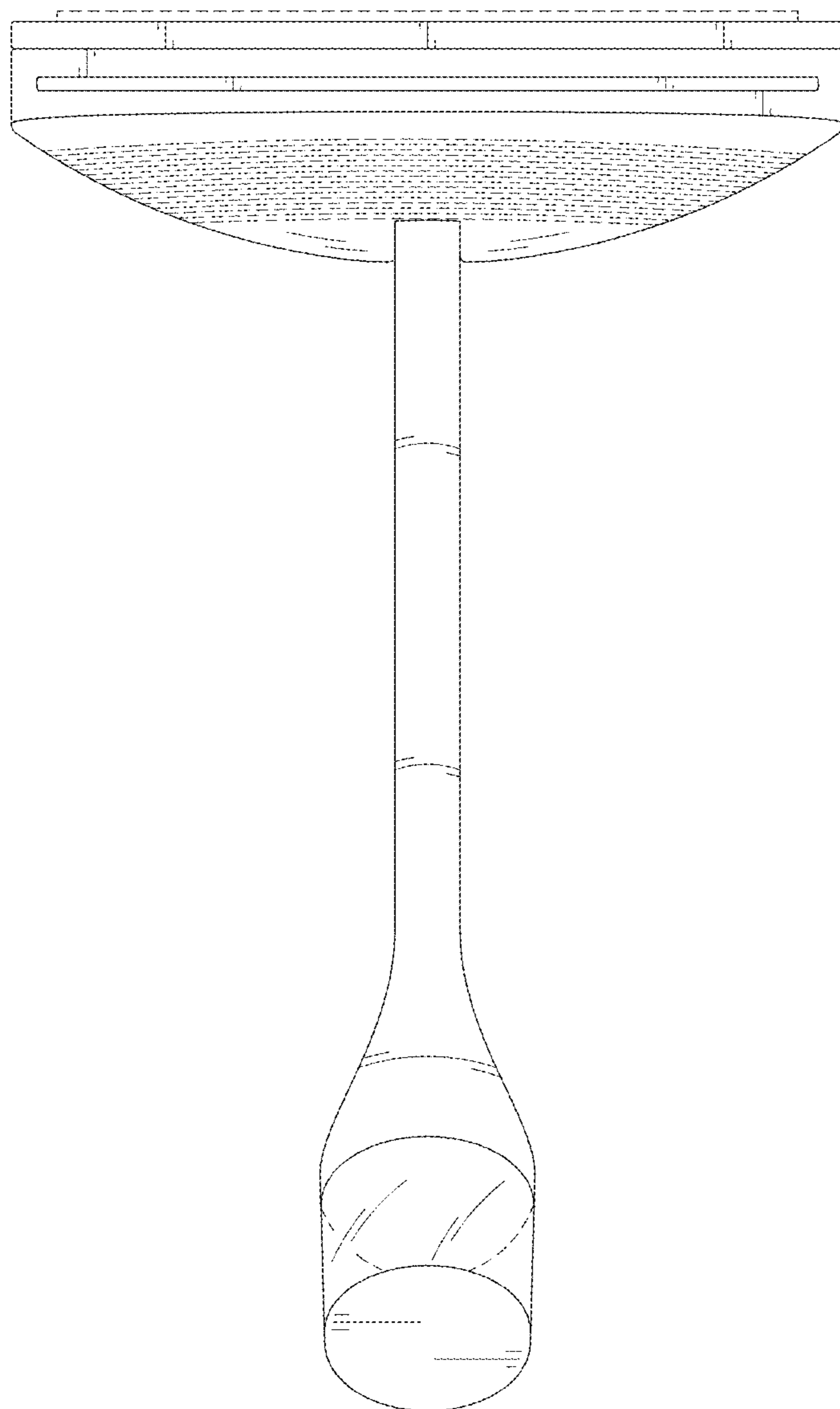


FIG. 3

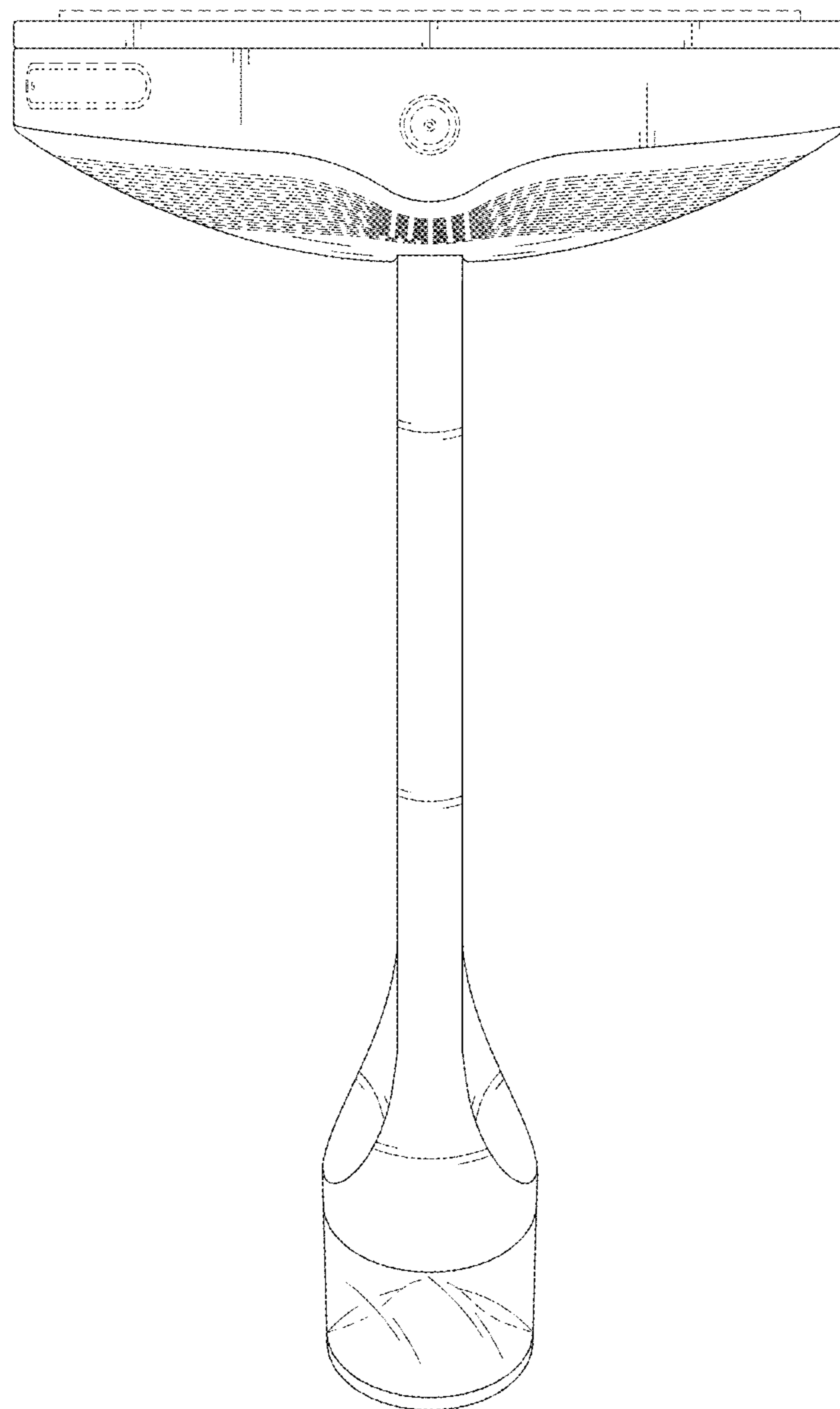


FIG. 4

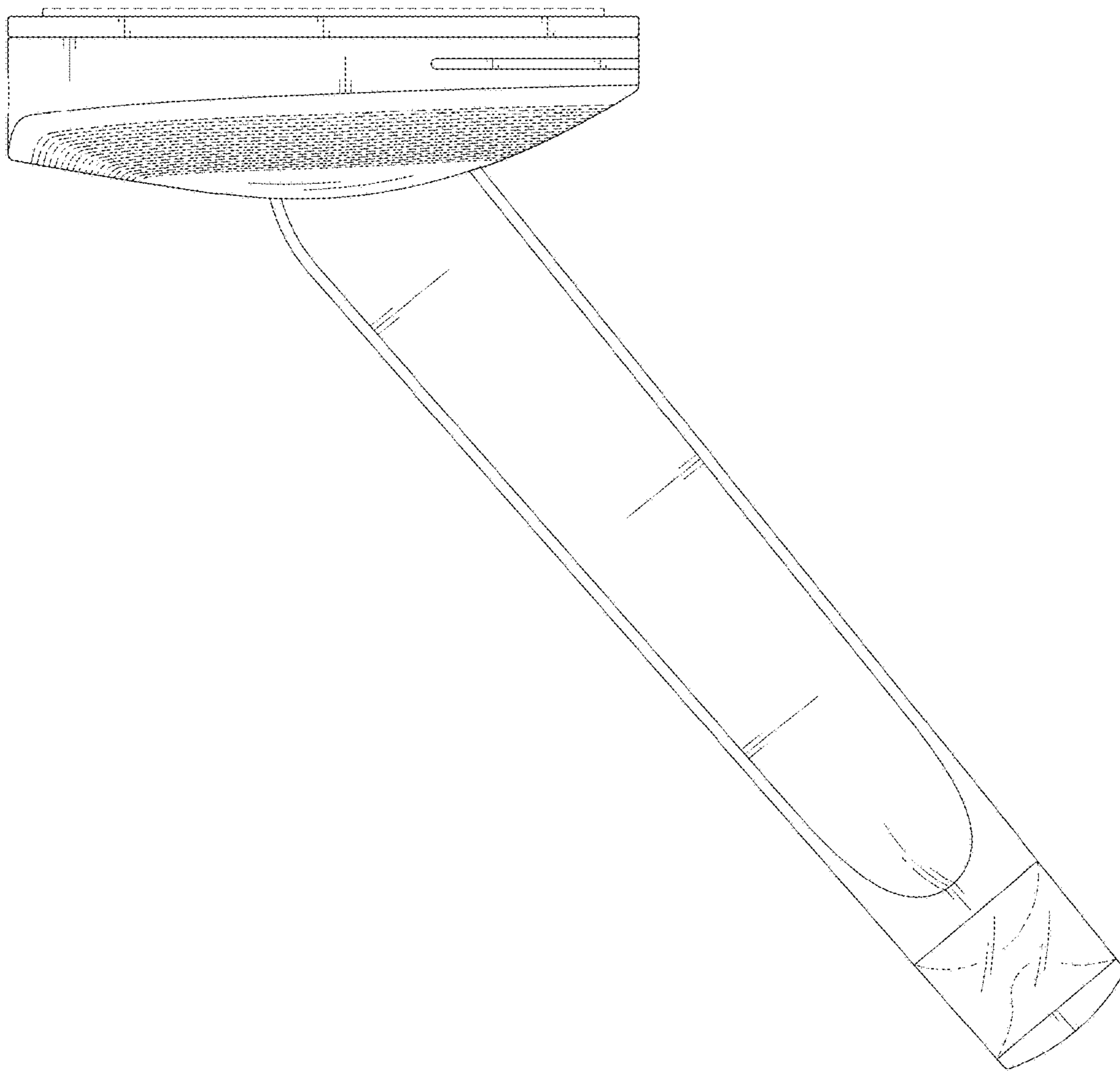


FIG. 5

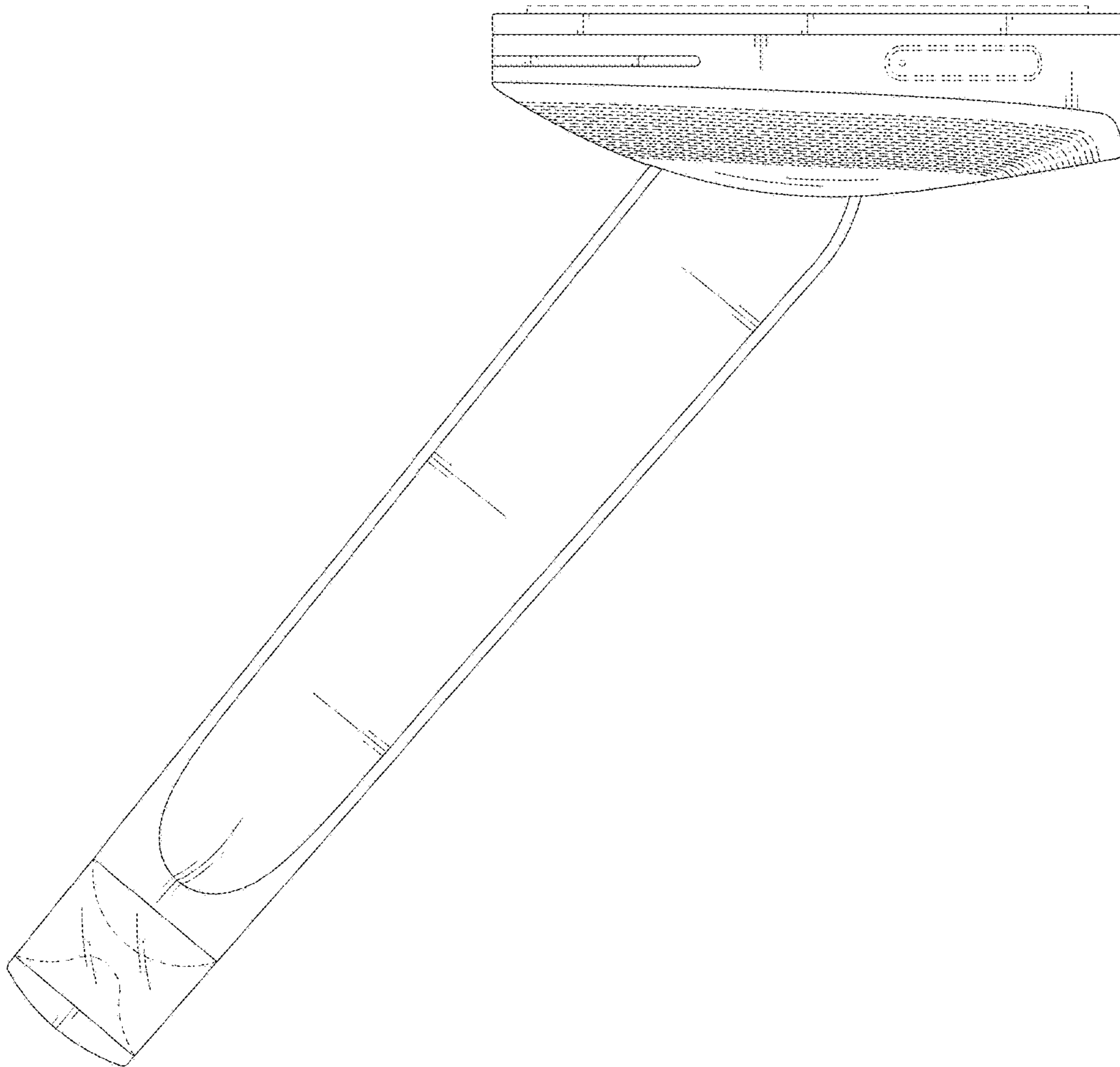


FIG. 6

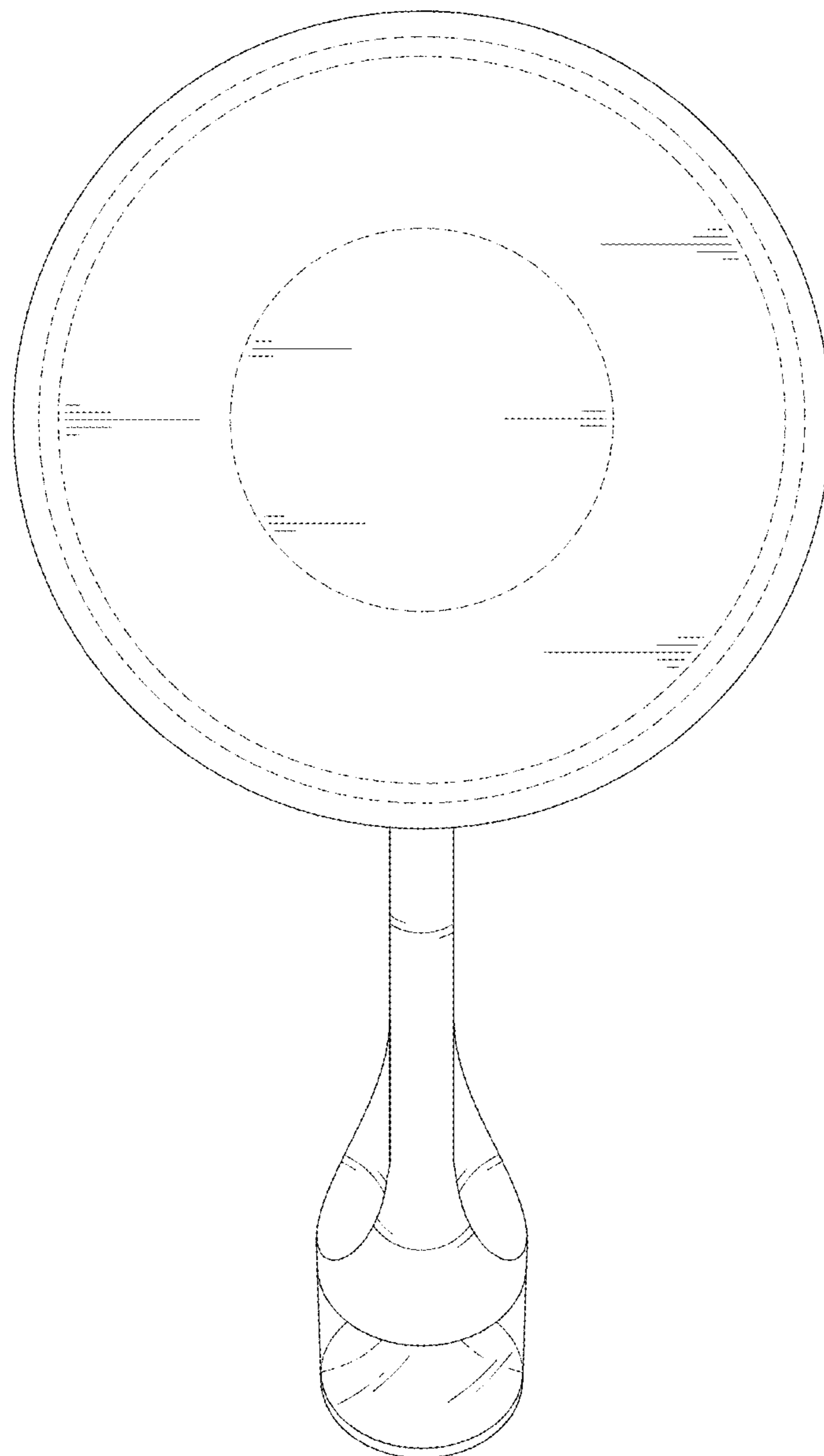




FIG. 7

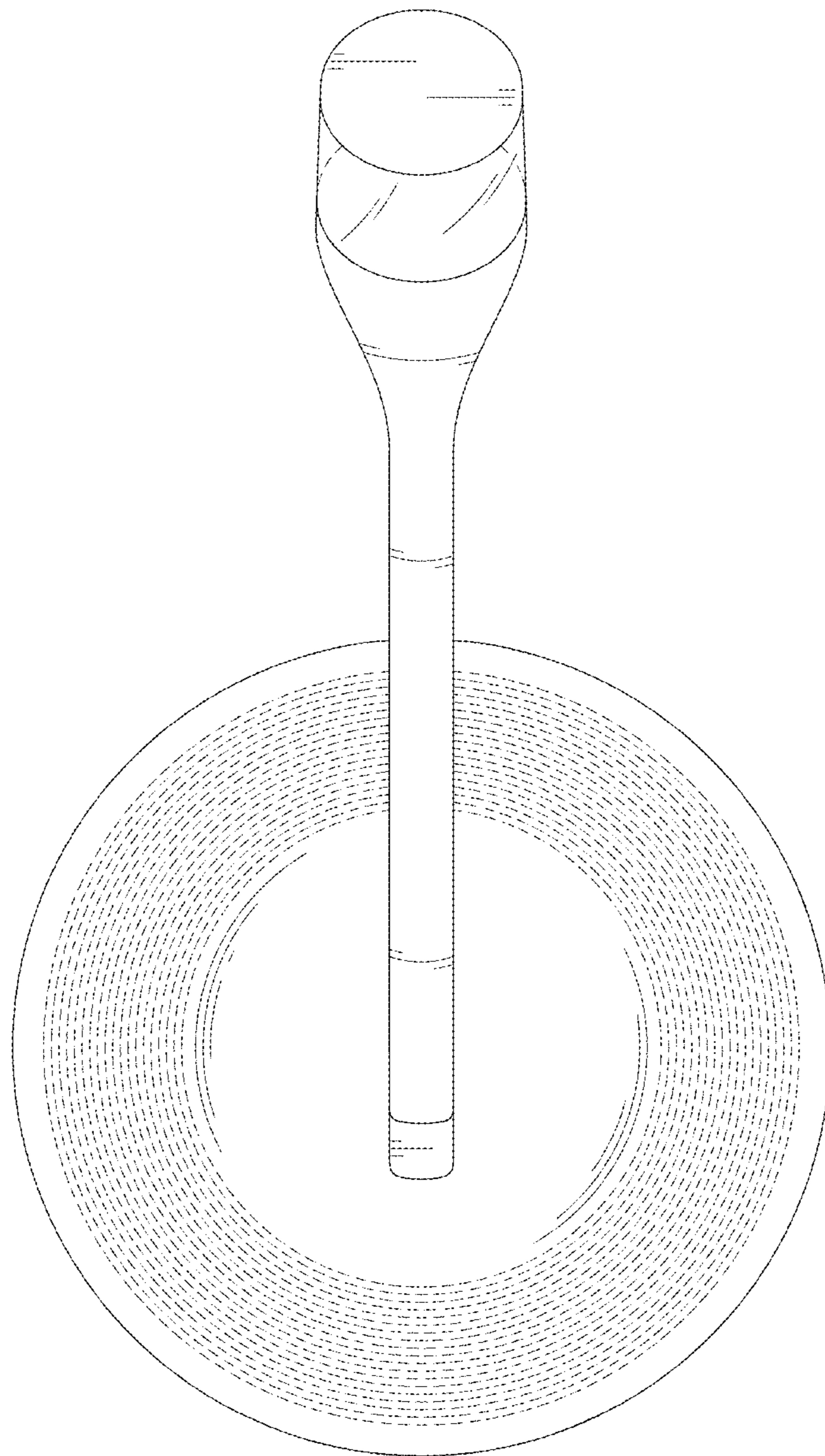


FIG. 8

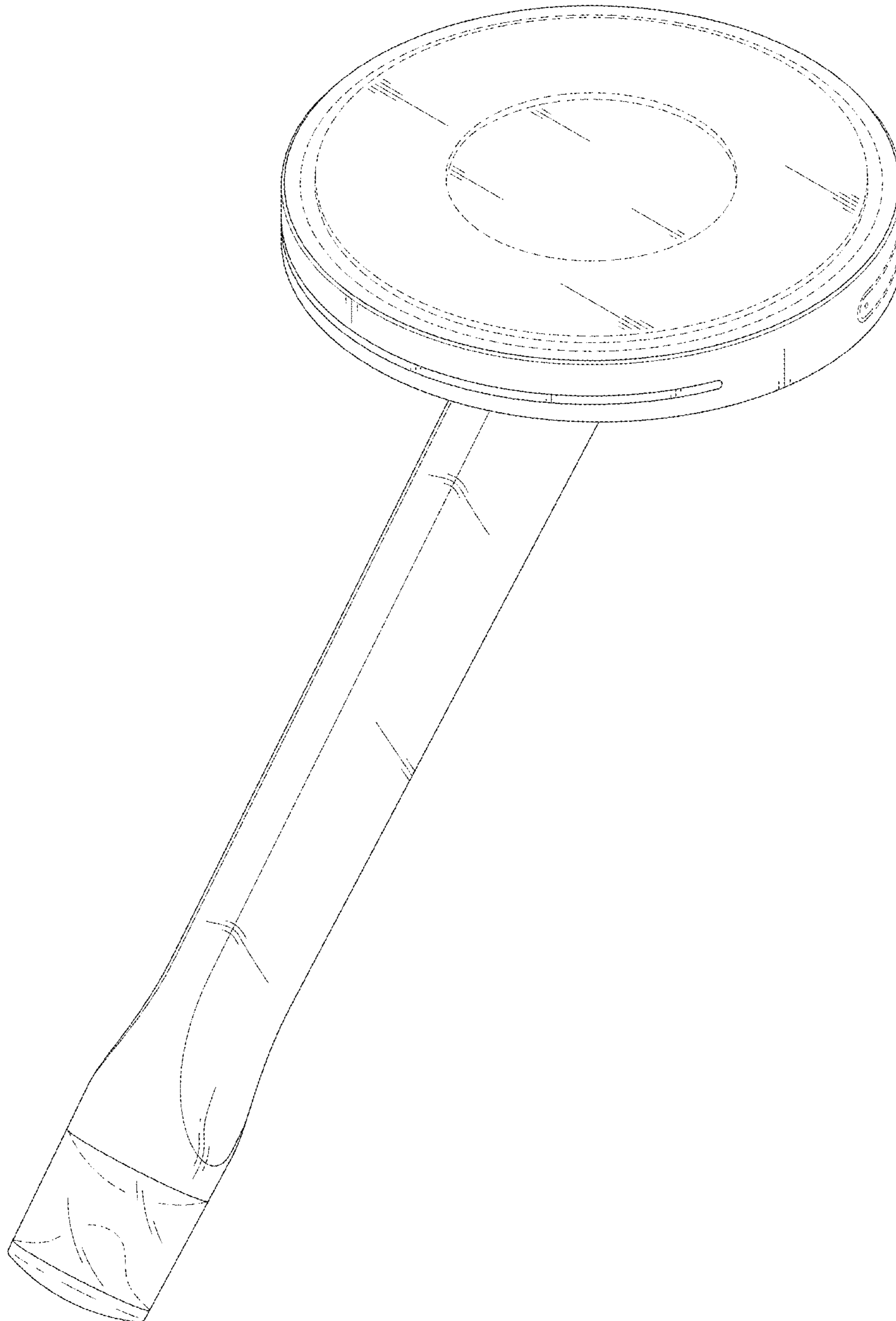


FIG. 9

