



US00D805458S

(12) **United States Design Patent**
Taylor et al.

(10) **Patent No.:** **US D805,458 S**

(45) **Date of Patent:** **** Dec. 19, 2017**

- (54) **ACCESSORY BASE**
- (71) Applicant: **DOMETIC SWEDEN AB**, Solna (SE)
- (72) Inventors: **Brent Alan Taylor**, Granger, IN (US);
Kent A. Becker, Huntertown, IN (US)
- (73) Assignee: **Dometic Sweden AB**, Solna (SE)
- (**) Term: **15 Years**
- (21) Appl. No.: **29/527,177**

- 5,375,655 A 12/1994 Lee
 - 5,577,830 A 11/1996 Barry
 - 5,594,623 A 1/1997 Schwegler
 - 5,760,558 A 6/1998 Popat
- (Continued)

FOREIGN PATENT DOCUMENTS

- AU 366561 1/2016
 - AU 366562 1/2016
- (Continued)

OTHER PUBLICATIONS

Base systems for cars, image post date 2010, site visited Apr. 9, 2017, (online), <https://www.aliexpress.com/price/base-systems-for-cars_price.html>.*

(Continued)

Primary Examiner — Kevin Rudzinski
Assistant Examiner — Sean D Lough
(74) *Attorney, Agent, or Firm* — Middleton Reutlinger

- (22) Filed: **May 15, 2015**
- (51) **LOC (10) Cl.** **12-16**
- (52) **U.S. Cl.**
USPC **D12/400**
- (58) **Field of Classification Search**
USPC D12/107, 110, 114, 115, 117, 126, 400,
D12/401, 404, 415, 423; D25/48.1, 48.3
CPC . B60R 1/025; B60R 1/08; B62H 5/001; B62J
9/006; B65D 43/16; B65D 43/22; B65D
55/02; F21S 48/00; G01S 13/931
See application file for complete search history.

(57) **CLAIM**

The ornamental design for an accessory base, as shown and described.

(56) **References Cited**

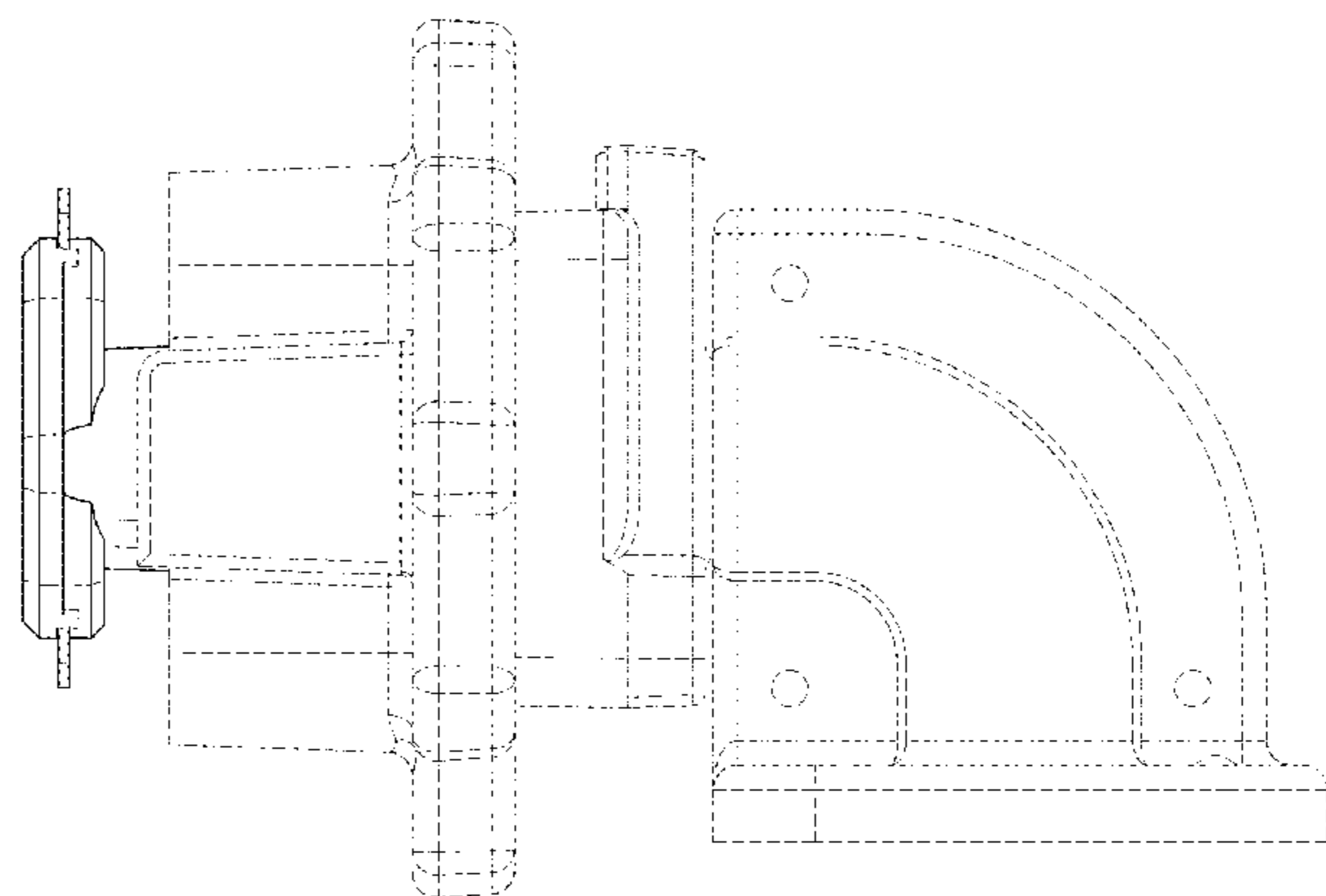
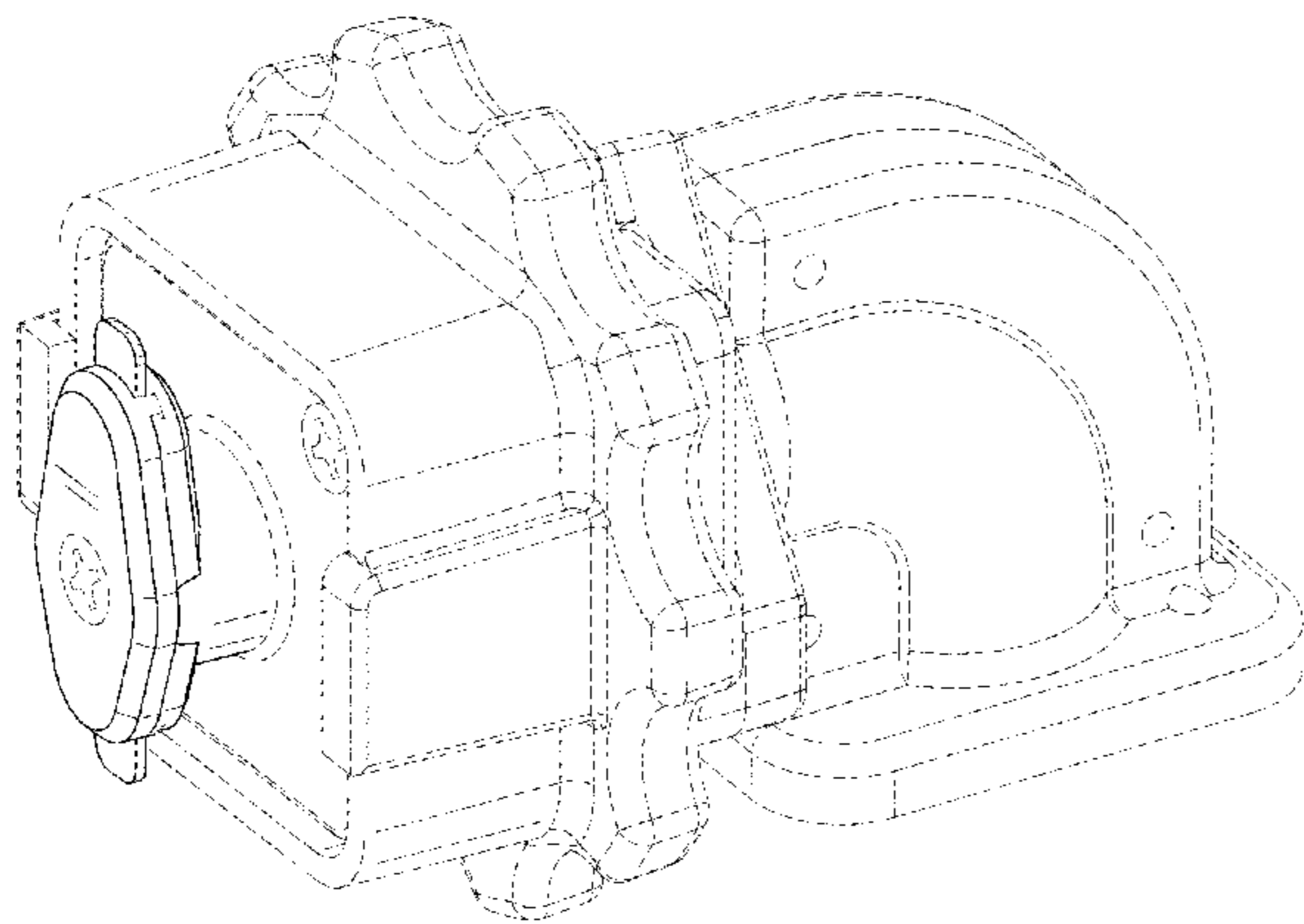
U.S. PATENT DOCUMENTS

- 3,847,171 A 11/1974 Akers et al.
- 3,955,611 A 5/1976 Coles et al.
- 4,159,162 A 6/1979 Christoffel
- 4,190,309 A 2/1980 Glass
- 4,417,185 A 11/1983 Bullat
- 4,446,506 A 5/1984 Larson
- 4,615,371 A 10/1986 Clauss
- 4,657,462 A 4/1987 Hoen
- 4,807,684 A 2/1989 Melton
- 4,822,292 A 4/1989 Thayer et al.
- 5,010,940 A 4/1991 Marocco
- 5,148,849 A 9/1992 Faludy
- 5,180,223 A 1/1993 McNamee
- 5,197,797 A 3/1993 Jaksich
- 5,259,774 A 11/1993 Gabrius
- 5,335,722 A 8/1994 Wu

DESCRIPTION

FIG. 1 is a front perspective view of the accessory base showing my design;
FIG. 2 is a rear perspective view of FIG. 1;
FIG. 3 is a right side elevation view of FIG. 1;
FIG. 4 is a left side elevation view of FIG. 1;
FIG. 5 is a top plan view of FIG. 1;
FIG. 6 is a bottom plan view of FIG. 1;
FIG. 7 is a front elevation view of FIG. 1; and,
FIG. 8. is a rear elevation view of FIG. 1.
The broken line disclosure represents portions of the accessory base that form no part of the claimed design.

1 Claim, 8 Drawing Sheets



(56)

References Cited

U.S. PATENT DOCUMENTS

5,793,174 A 8/1998 Kovach et al.
 5,819,407 A 10/1998 Terada
 5,853,294 A 12/1998 Rehder
 5,864,464 A 1/1999 Lin
 5,934,349 A 8/1999 Faller
 5,984,687 A 11/1999 Schwarz
 6,137,680 A 10/2000 Kodaira et al.
 6,176,304 B1 1/2001 Lee et al.
 6,230,785 B1 5/2001 Tokuyama et al.
 6,269,864 B1 8/2001 Kabadi
 6,273,172 B1 8/2001 Frey
 6,328,529 B1 12/2001 Yamaguchi et al.
 6,353,178 B1 3/2002 Linhart
 6,407,920 B1 6/2002 Jui-Yuan et al.
 6,421,175 B1 7/2002 Shopp
 6,489,702 B1 12/2002 Bartman
 6,494,246 B1 12/2002 Blevins
 6,545,872 B1 4/2003 Lonergan et al.
 6,692,135 B2 2/2004 Li
 6,700,246 B1 3/2004 Bruhn
 6,760,221 B2 7/2004 Goth et al.
 6,837,255 B2 1/2005 Bunch et al.
 6,843,301 B2 1/2005 Carrillo et al.
 6,983,783 B2 1/2006 Carmen, Jr. et al.
 7,057,360 B1 6/2006 Hsu
 7,061,197 B1 6/2006 Mullet et al.
 7,066,618 B1 6/2006 Little
 7,105,858 B2 9/2006 Popovich
 7,281,560 B2 10/2007 Hicks et al.
 7,289,322 B2 10/2007 Chen et al.
 7,311,290 B1 12/2007 Barnes
 7,387,483 B1 6/2008 Scheurn
 7,387,514 B2 6/2008 Bienert
 7,604,015 B2 10/2009 Fraser
 7,661,462 B2 2/2010 Kuo
 7,723,939 B2 5/2010 Carmen, Jr.
 7,748,675 B2 7/2010 Nestor et al.
 D621,773 S * 8/2010 Norman D12/218
 7,819,665 B1 10/2010 Nishizawa
 7,821,479 B2 10/2010 Zhang
 7,861,990 B2 1/2011 Barnes
 7,871,017 B2 1/2011 Van Zutven
 7,883,247 B2 2/2011 Calleja
 7,914,198 B2 3/2011 Mier-Langner
 7,967,059 B2 6/2011 Li et al.
 7,980,765 B2 7/2011 Reitz et al.
 D652,779 S * 1/2012 Richter D12/223
 8,238,102 B2 8/2012 Wei et al.
 8,258,993 B2 9/2012 Inoue et al.
 8,287,284 B1 10/2012 Nishizawa
 D674,469 S * 1/2013 Boyer D23/235
 8,348,677 B2 1/2013 Angerpointner et al.
 8,368,328 B2 2/2013 Mullet et al.
 8,376,757 B2 2/2013 Yamamoto et al.
 D681,028 S * 4/2013 Richter D14/253
 D681,029 S * 4/2013 Richter D14/253
 8,418,741 B2 4/2013 Cheung
 D686,113 S * 7/2013 Lin D12/114
 8,506,136 B1 8/2013 Herdt
 D691,548 S * 10/2013 Kismarton D12/345
 8,708,877 B2 4/2014 Kirihara et al.
 8,723,454 B2 5/2014 Skinner et al.
 8,776,861 B2 7/2014 Bohlen et al.
 8,887,785 B2 11/2014 Goth
 D719,887 S * 12/2014 Hensel D12/207
 D721,315 S * 1/2015 Delavy D12/207
 8,950,460 B2 2/2015 Worthman et al.
 8,960,260 B2 2/2015 Anderson et al.
 D731,044 S * 6/2015 Fulkerson D23/324
 9,091,118 B2 7/2015 Anderson et al.
 D737,089 S * 8/2015 Taylor D6/716.7
 D745,913 S * 12/2015 Cho D16/218
 9,228,359 B2 1/2016 Taylor
 D753,025 S * 4/2016 Chen D12/118
 D754,208 S * 4/2016 Niakan D15/5

D760,070 S * 6/2016 Sarnowski D8/382
 9,394,743 B2 7/2016 Mullet et al.
 D762,735 S * 8/2016 Niakan D15/5
 D772,970 S * 11/2016 Balmer D12/114
 D780,562 S * 3/2017 Baiz D8/387
 D780,743 S * 3/2017 Chun D14/253
 D783,013 S * 4/2017 Chun D14/253
 2004/0020611 A1 2/2004 Coenraets
 2004/0041743 A1 3/2004 Ling et al.
 2004/0129849 A1 7/2004 Walker et al.
 2005/0039861 A1 2/2005 Faludy et al.
 2005/0045628 A1 * 3/2005 Chan A45C 13/1084
 220/4.22
 2006/0158045 A1 7/2006 Speri
 2007/0039911 A1 2/2007 Sator
 2008/0093030 A1 4/2008 Gutierrez
 2008/0128095 A1 6/2008 Van Zutven
 2008/0163989 A1 7/2008 Sales et al.
 2008/0173341 A1 7/2008 Falin
 2008/0192492 A1 8/2008 Chen
 2008/0230192 A1 9/2008 Kane
 2009/0145580 A1 6/2009 Lin et al.
 2010/0061093 A1 3/2010 Janssen et al.
 2010/0194785 A1 8/2010 Huitema et al.
 2010/0307701 A1 12/2010 Peterson
 2011/0048651 A1 3/2011 Goth
 2011/0048655 A1 3/2011 Andreasen et al.
 2012/0073624 A1 3/2012 Nocito et al.
 2012/0289064 A1 11/2012 Angerpointner
 2013/0235558 A1 9/2013 Zhou
 2014/0090258 A1 * 4/2014 Luetgens A45D 40/00
 30/459
 2014/0110065 A1 4/2014 Beland et al.
 2014/0142436 A1 5/2014 Hutchins et al.
 2014/0183194 A1 * 7/2014 Ambriz B65D 51/16
 220/203.22
 2014/0224437 A1 8/2014 Colson et al.
 2014/0262058 A1 9/2014 Mullet et al.
 2014/0305602 A1 10/2014 Kirby et al.
 2015/0034259 A1 2/2015 Bohlen et al.
 2015/0179994 A1 6/2015 Lemaitre et al.
 2015/0203264 A1 * 7/2015 Im B65D 41/16
 220/324
 2015/0330086 A1 11/2015 Taylor
 2015/0330087 A1 11/2015 Taylor et al.
 2016/0111862 A1 4/2016 Taylor
 2016/0230460 A1 8/2016 Colson et al.
 2016/0332778 A1 * 11/2016 Roman B65D 21/0233
 2017/0096268 A1 * 4/2017 Perry B65D 51/24

FOREIGN PATENT DOCUMENTS

BE 1016946 10/2007
 CA 165362 6/2016
 CA 165363 6/2016
 CN 103147585 6/2013
 DE 102010054920 6/2011
 DE 202011051085 11/2011
 DE 202011051105 11/2011
 EM 002861385 11/2015
 EM 002861393 11/2015
 EP 0883179 12/1998
 EP 0916781 7/2001
 EP 1396592 3/2004
 EP 1484459 12/2004
 EP 1785544 1/2008
 FR 2808047 10/2001
 GB 2205888 12/1988
 GR 1003642 8/2001
 JP 06267327 9/1994
 JP 2008337118 12/1996
 KR 101065173 9/2011
 KR 101224491 1/2013
 KR 101284733 7/2013
 WO 9518898 7/1995
 WO 9735146 9/1997

(56)

References Cited

FOREIGN PATENT DOCUMENTS

WO	2006056348	6/2006
WO	2013129916	9/2013

OTHER PUBLICATIONS

Opel led accessories, image post date 1999, site visited Apr. 9, 2017, (online), <<https://www.alibaba.com/showroom/opel-led.html>>.*

Slab Base T-Nut Club Car Model DS, image post date 1982, site visited Apr. 9, 2017, (online), <<http://blockbustergolfcarts.com/cowltrimaluminumforclubcargande1982-updscars-1.aspx>>.*

Canadian Intellectual Property Office, Office Action for Application No. 2,948,559 dated Dec. 16, 2016.

Canadian Patent Application No. 2,948,559 entitled "Rotatable Awning with Illumination" filed Nov. 8, 2016.

Australian Patent Application No. 2015258913 entitled "Rotatable Awning with Illumination" filed Nov. 8, 2016.

Canadian Patent Application No. 2,948,854 entitled "Power Track Awning Assembly" filed Nov. 10, 2016.

European Patent Application No. 15 793 333.4 entitled "Power Track Awning Assembly" filed Dec. 8, 2016.

U.S. Appl. No. 15/311,110 entitled "Power Track Awning Assembly" filed Nov. 14, 2016.

Canadian Patent Application No. 2,948,856 entitled "Power Track Assembly and Accessory Base Therefore" filed Nov. 10, 2016.

European Patent Application No. 15 793 465.4 entitled "Power Track Assembly and Accessory Base Therefore" filed Dec. 13, 2016.

U.S. Appl. No. 15/311,131 entitled "Power Track Assembly and Accessory Base Therefore" filed Nov. 14, 2016.

United States Patent and Trademark Office, Office Action for U.S. Appl. No. 14/278,036 dated Apr. 14, 2015.

United States Patent and Trademark Office, Office Action for U.S. Appl. No. 14/984,484 dated Dec. 23, 2016.

United States Patent and Trademark Office, Office Action for U.S. Appl. No. 14/278,180 dated Sep. 30, 2016.

Transmittal Letter of Related Cases dated Dec. 1, 2016.

Korean Intellectual Property Office, International Search Report and Written Opinion for PCT/US15/031206 dated Aug. 24, 2015.

Larson Enterprises "Awna-Roll"; Valley Center, CA [PowerPoint Presentation], 21 pages Jan. 1, 2000.

Welcome to a World of Relaxation Right in Your Backyard, Retractable Awnings, Retractable Window, Patio and Porch Awning Features at <http://www.aristocratawnings.com/awnings/retractable-awnings>; 5 pages Dec. 28, 2013.

RV Outfitters, Awnings, Awning Accessories Online Catalog at <http://www.bellrpg.net/Rvout/RV/group.asp>; 11 pages Dec. 28, 2013.

Eclipse Lunar Light Package; Retractable Awnings, Retractable Shades and Solar Shades by Eclipse Awning at <http://www.eclipseawning.com/home/products/accessories>; eclipse-lunar-light-package; 3 pages Dec. 28, 2013.

Korean Intellectual Property Office, International Search Report and Written Opinion for PCT/US15/031175 dated Aug. 12, 2015.

Korean Intellectual Property Office, International Search Report and Written Opinion of PCT Serial No. PCT/US15/031182 dated Aug. 24, 2015.

LED Light Kit 18-21; Introduction, Description and Price of product at <http://www.rvawningsmart.com/LED-Light-Kit-13-21-68205.htm> Nov. 14, 2013.

Carefree Thin-Lite Awning Roller Light; Introduction and Description of product at <http://www.carefreeofcolorado.com/carefree/products>; 2 pages. Nov. 14, 2013.

* cited by examiner

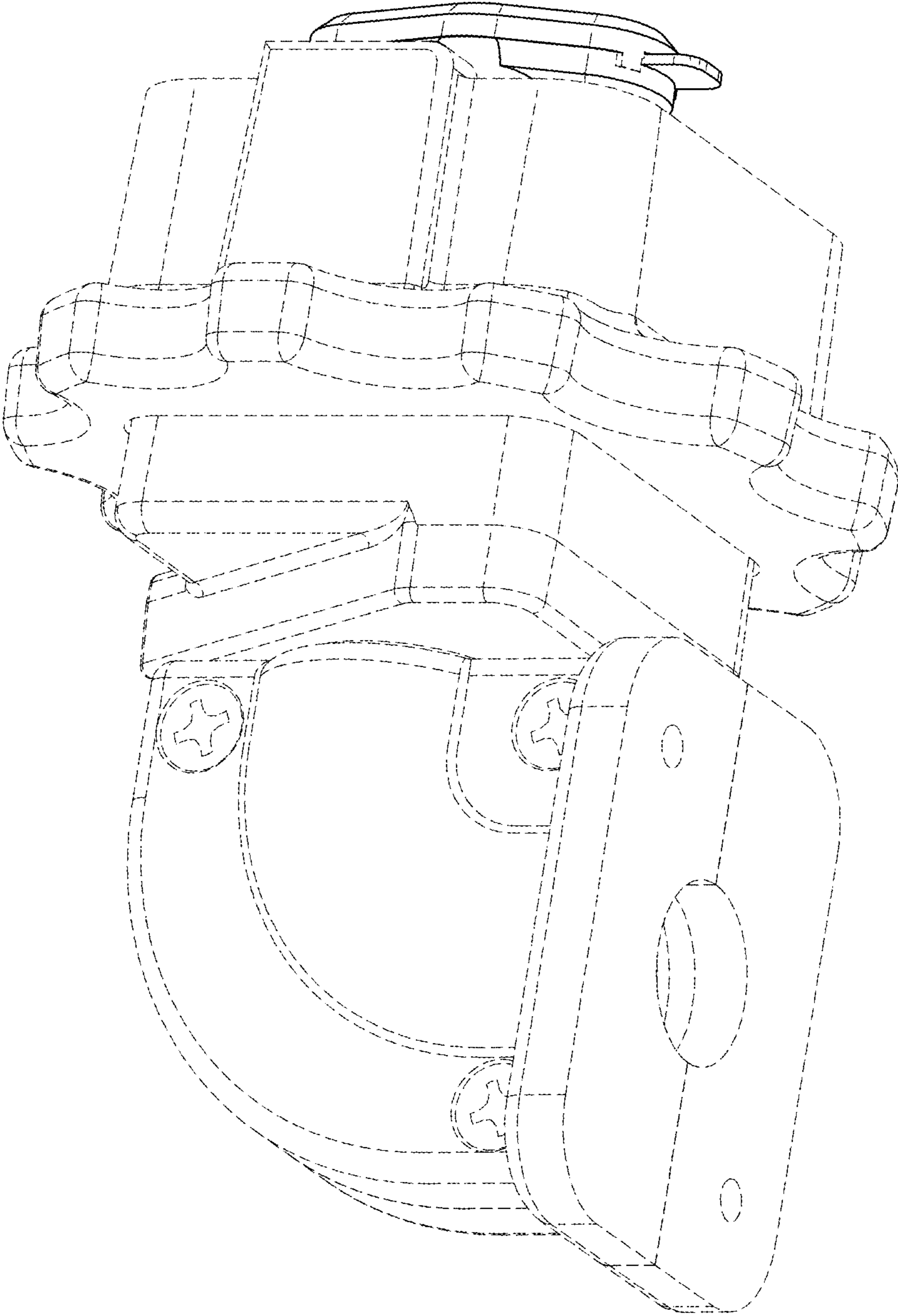


FIG. 1

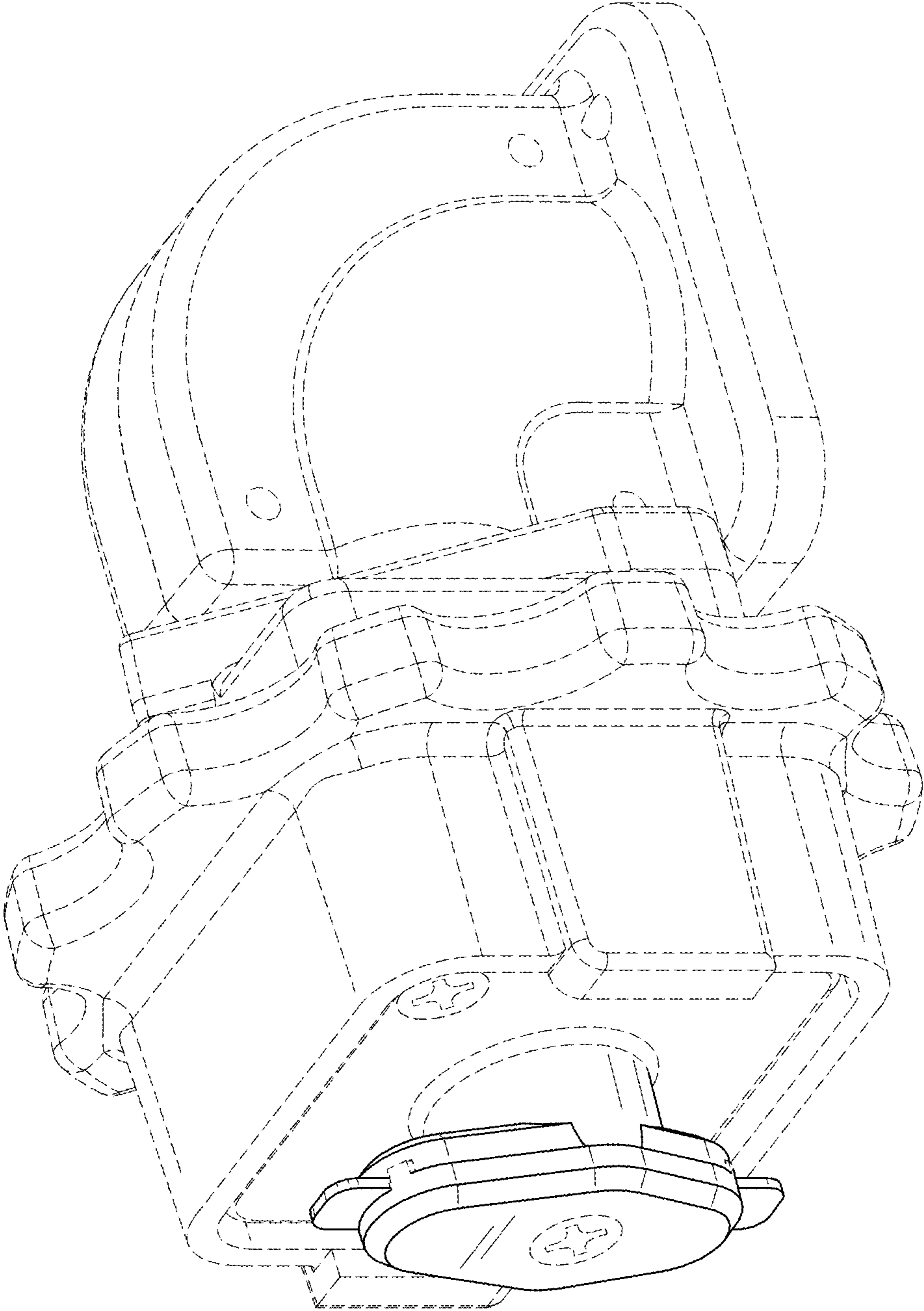


FIG. 2

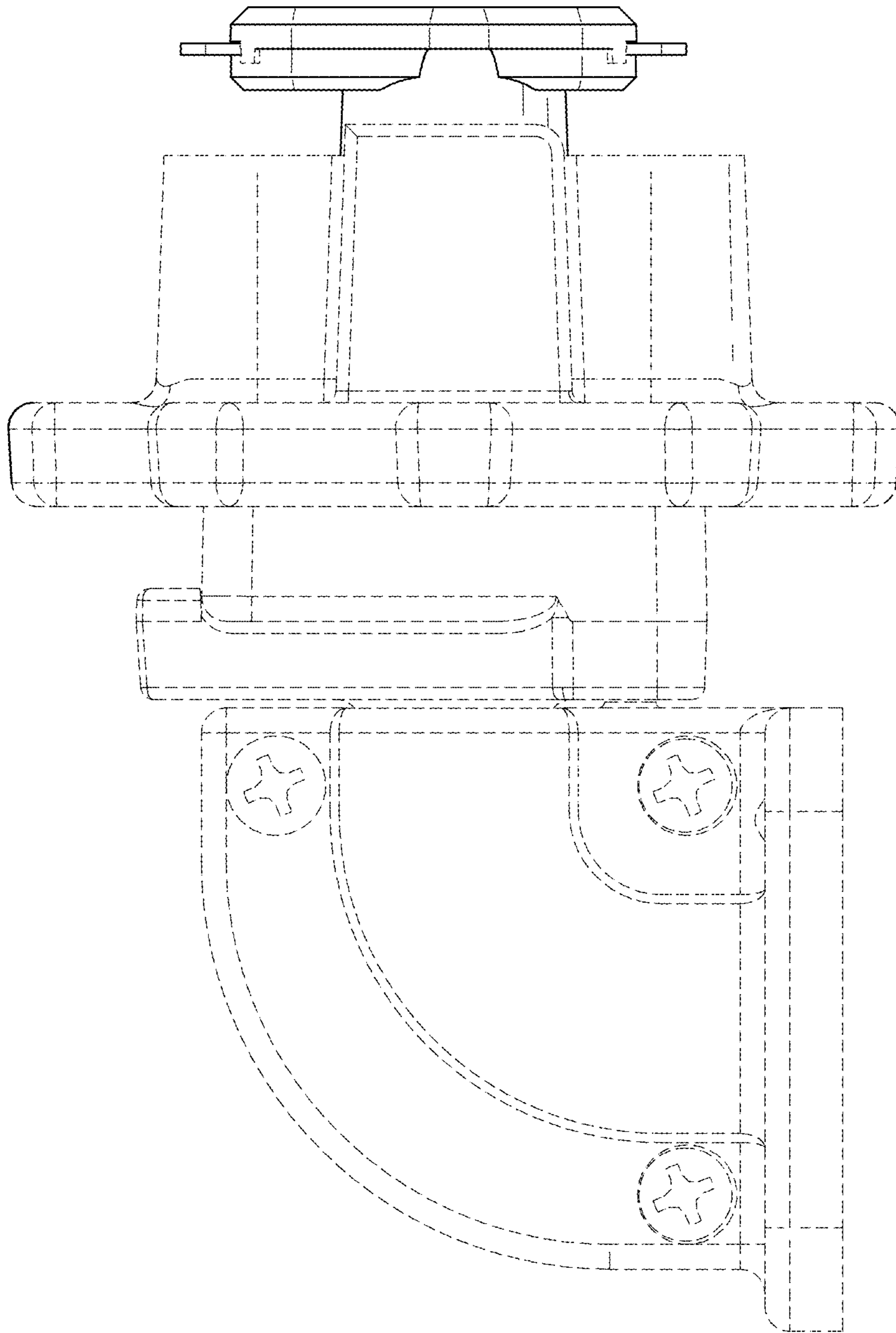


FIG. 3

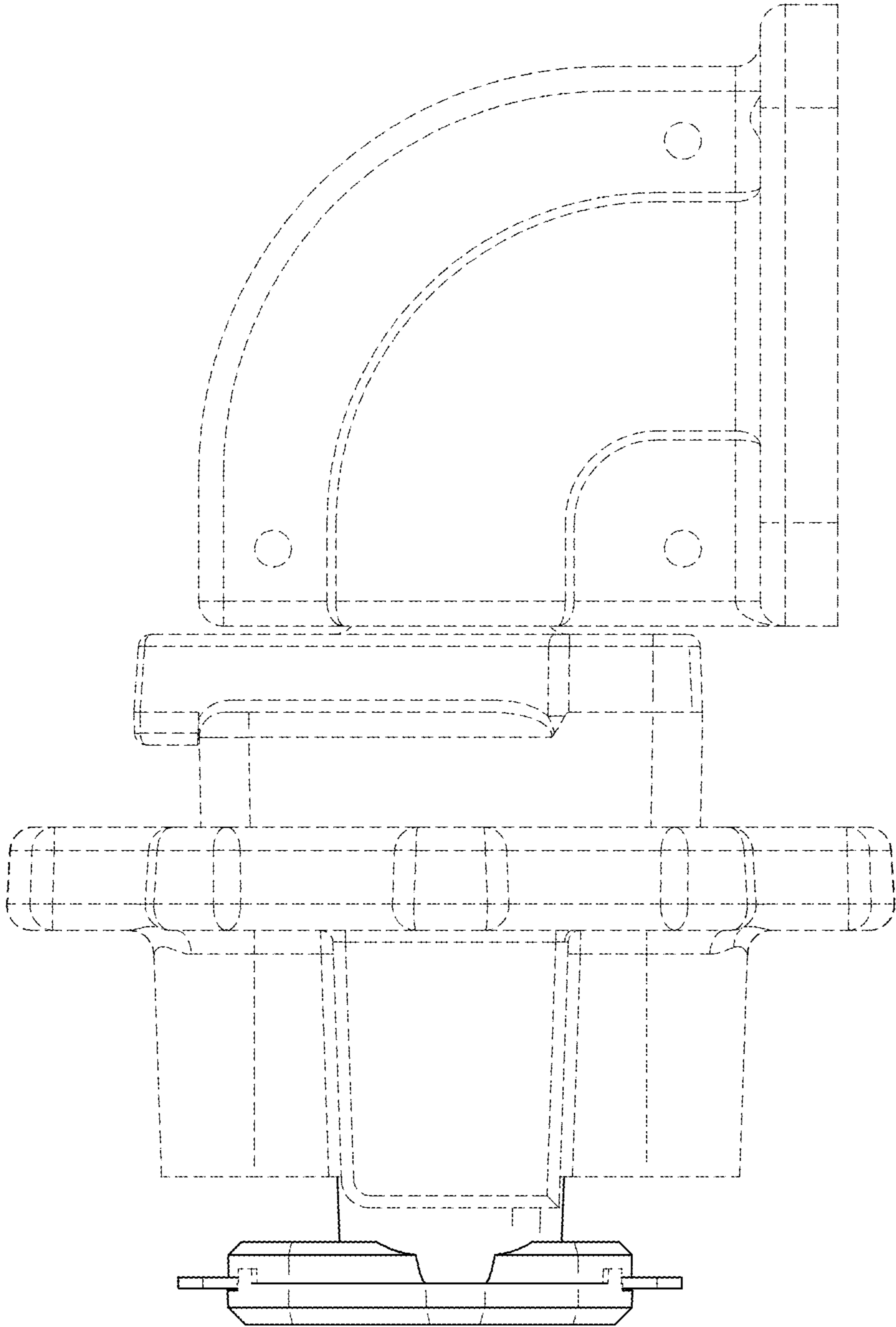


FIG. 4

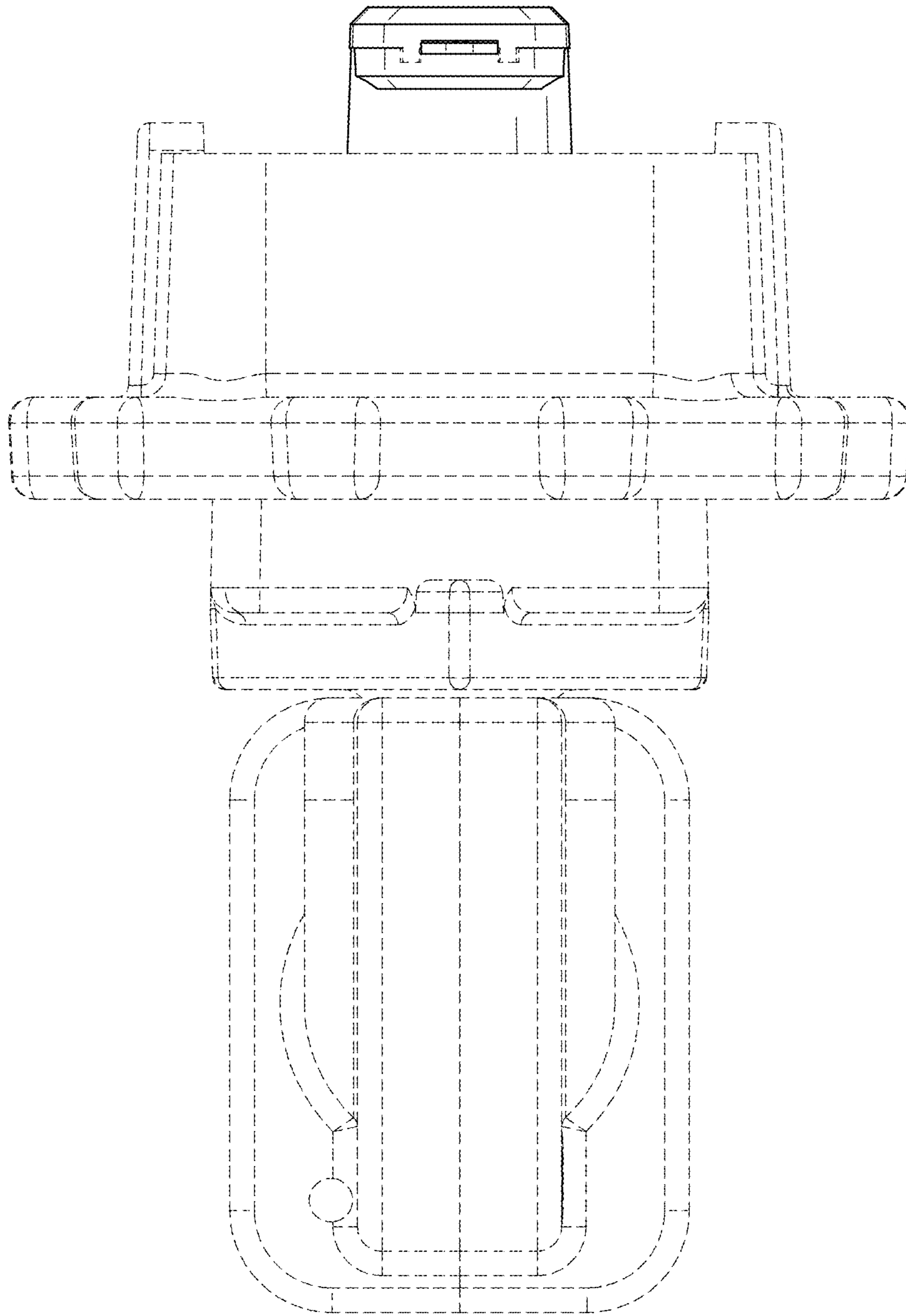


FIG. 5

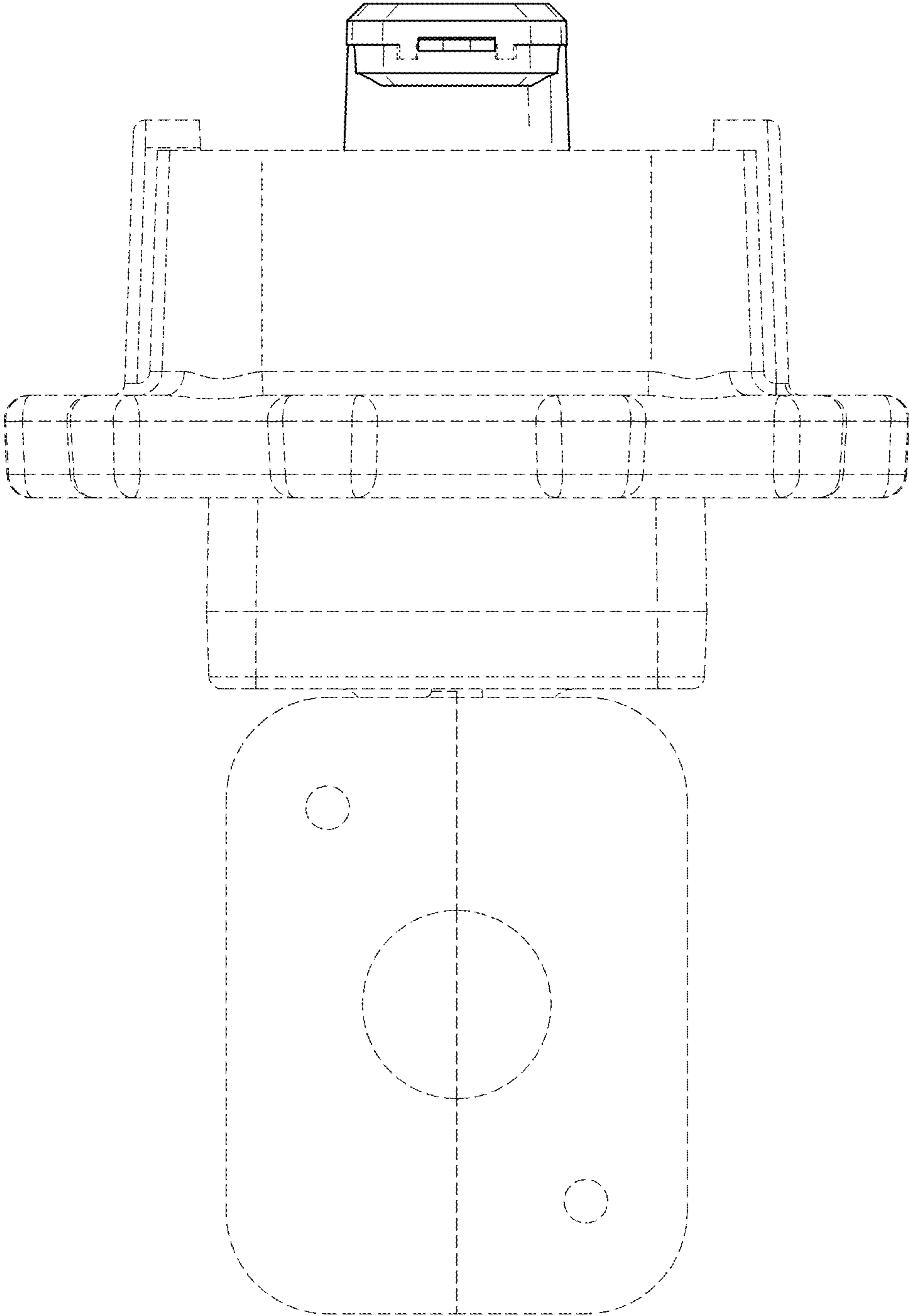


FIG. 6

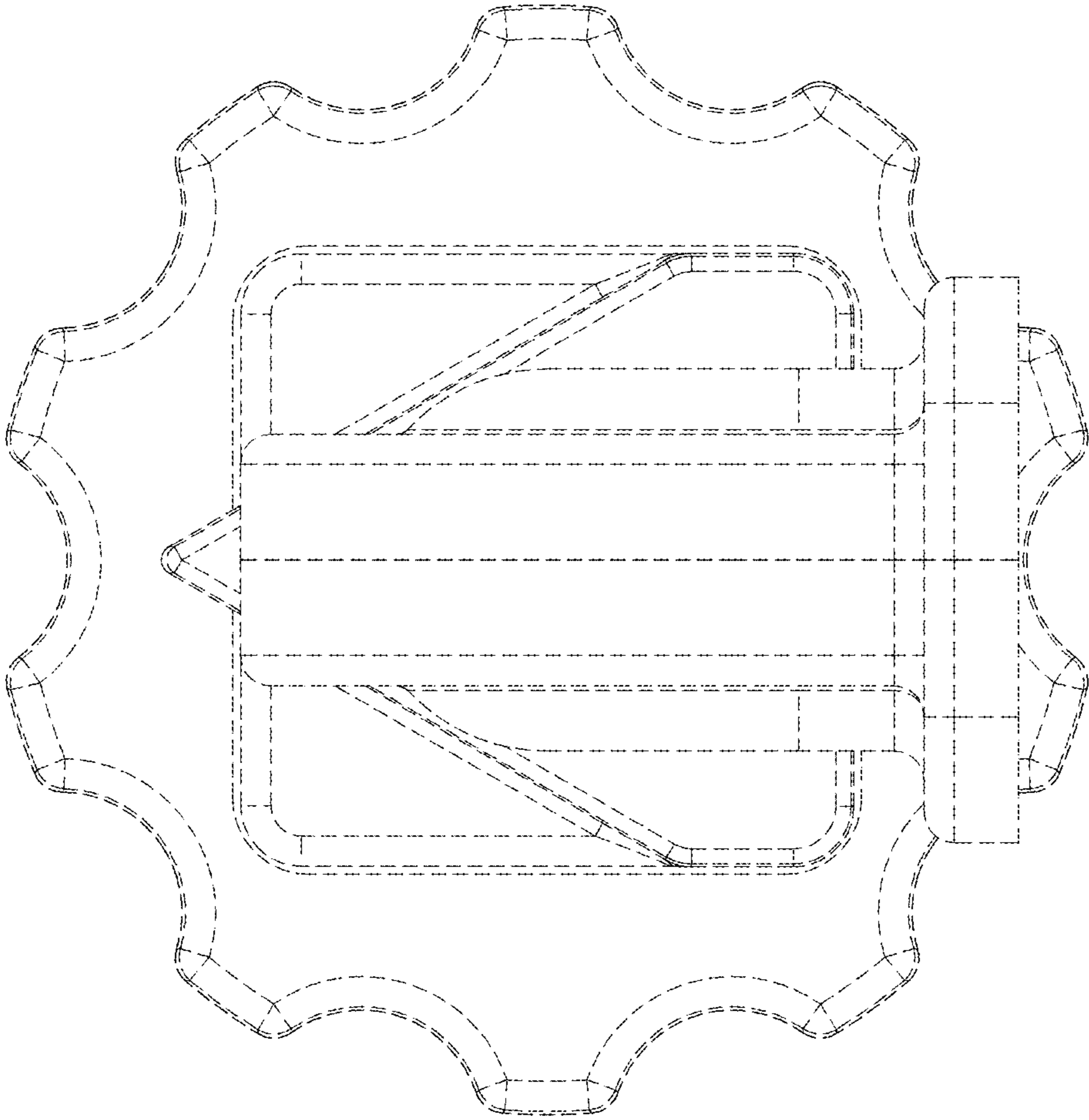


FIG. 7

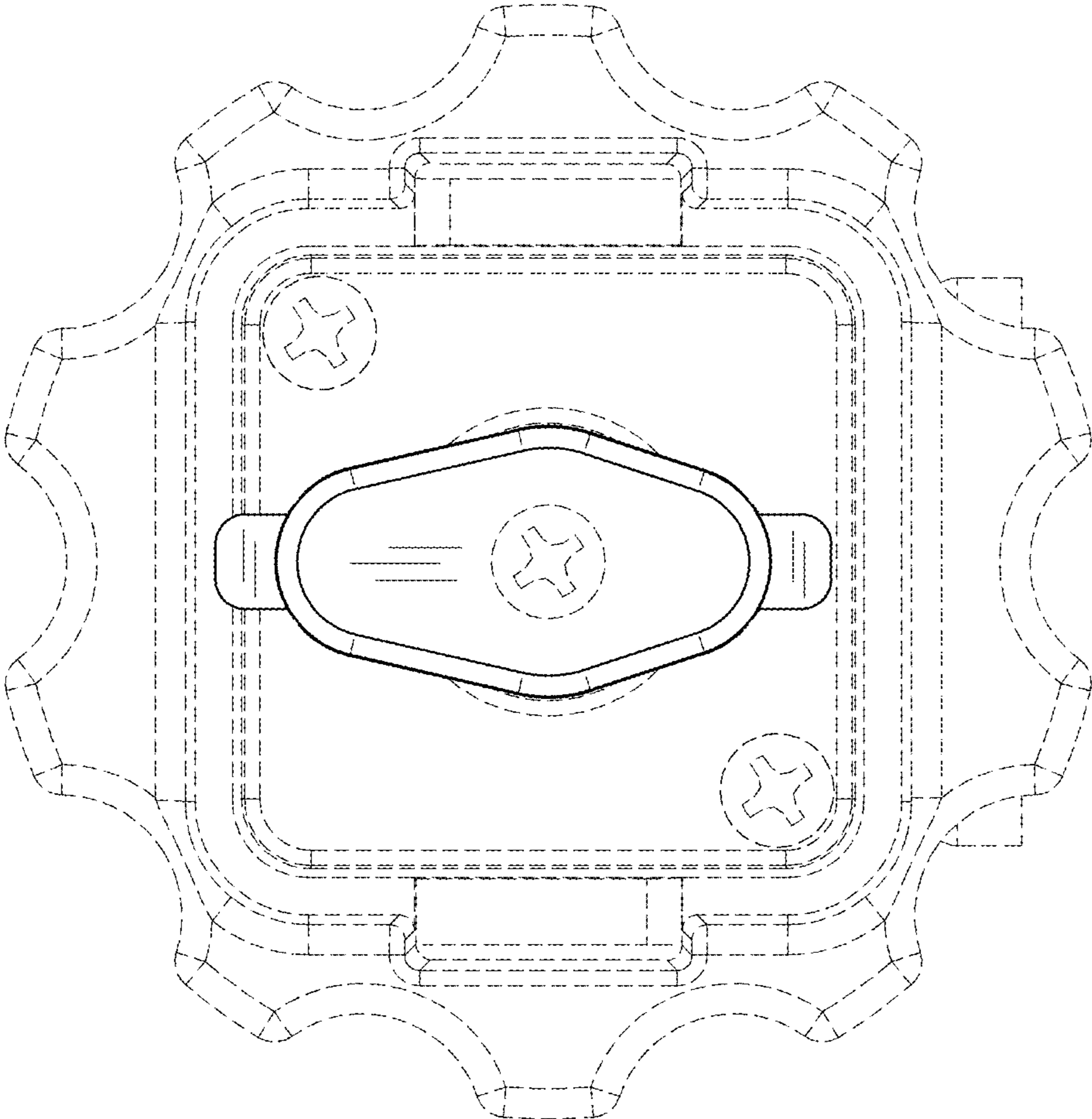


FIG. 8