



US00D805457S

(12) **United States Design Patent**
Setter et al.

(10) **Patent No.:** **US D805,457 S**

(45) **Date of Patent:** **** Dec. 19, 2017**

(54) **WHEEL**

(71) Applicant: **Jaguar Land Rover Limited**, Whitley,
Coventry (GB)

(72) Inventors: **Adam Setter**, Coventry (GB); **Alex Chan**, Coventry (GB)

(73) Assignee: **Jaguar Land Rover Limited**, Whitley,
Coventry (GB)

(**) Term: **15 Years**

(21) Appl. No.: **29/532,700**

(22) Filed: **Jul. 9, 2015**

(30) **Foreign Application Priority Data**

Jul. 1, 2015 (EM) 002729749

(51) **LOC (10) Cl.** **12-16**

(52) **U.S. Cl.**
USPC **D12/211**

(58) **Field of Classification Search**
USPC D12/204–213
CPC B60B 7/00; B60B 7/02; B60B 7/04; B60B 7/01; B60B 7/06; B60B 3/02; B60B 3/04; B60B 3/06; B60B 3/10; B60B 1/00; B60B 1/08; B60B 1/10; B60B 1/12
See application file for complete search history.

(56) **References Cited**

U.S. PATENT DOCUMENTS

D585,354 S *	1/2009	Powell	D12/211
D608,715 S *	1/2010	Bucher	D12/211
D645,391 S *	9/2011	Weil	D12/209
D648,254 S *	11/2011	Barry	D12/209
D649,503 S *	11/2011	Platto	D12/209
D664,081 S *	7/2012	Muller	D12/209
D673,093 S *	12/2012	Platto	D12/209

D674,330 S *	1/2013	Kito	D12/209
D697,007 S *	1/2014	Pollmann	D12/209
D707,170 S *	6/2014	Wheel	D12/211
D714,203 S *	9/2014	George	D12/209
D731,389 S *	6/2015	Gotschke	D12/211
D734,701 S *	7/2015	Mielke	D12/209
D751,019 S *	3/2016	Behmer	D12/211
D755,691 S *	5/2016	Gardavsky	D12/209
D756,875 S *	5/2016	George	D12/209
D756,879 S *	5/2016	George	D12/211
D756,883 S *	5/2016	Valencia Pollex	D12/211
D760,139 S *	6/2016	Dionisopoulos	D12/209
D763,761 S *	8/2016	Dionisopoulos	D12/209
D763,763 S *	8/2016	Stone	D12/209
D773,370 S *	12/2016	Bucher	D12/211
D775,574 S *	1/2017	Maher	D12/209
D788,005 S *	5/2017	Peat	D12/211

* cited by examiner

Primary Examiner — Stacia Cadmus

(74) *Attorney, Agent, or Firm* — Wood Herron & Evans LLP

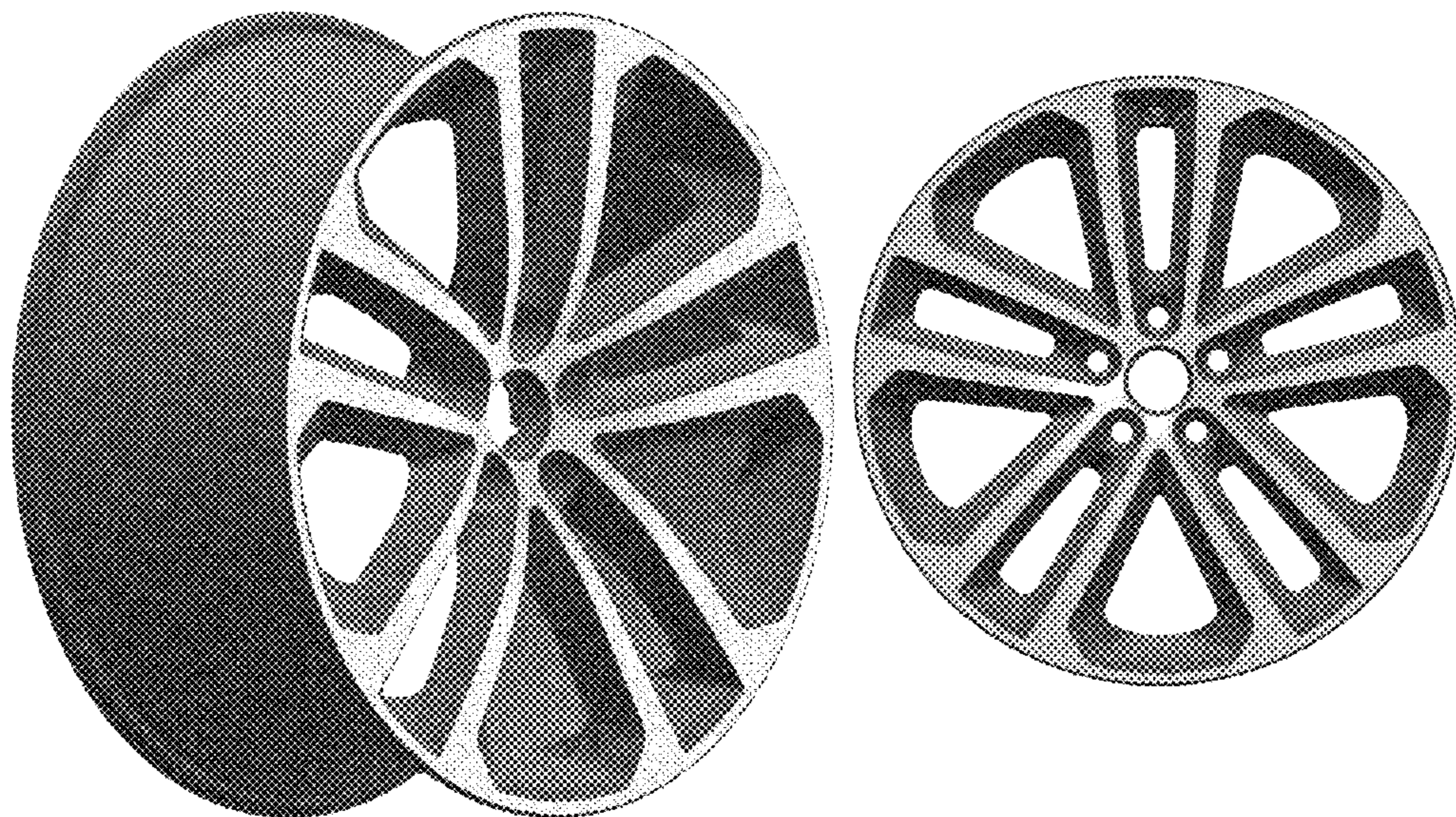
(57) **CLAIM**

The ornamental design for a wheel, as shown and described.

DESCRIPTION

FIG. 1 is a front perspective view of a wheel, showing our new design;
 FIG. 2 is a front view thereof.
 FIG. 3 is a left side view thereof.
 FIG. 4 is a rear view thereof.
 FIG. 5 is a rear perspective view thereof;
 FIG. 6 is a front perspective view of a second embodiment of a wheel, showing our new design;
 FIG. 7 is a front view thereof.
 FIG. 8 is a left side view thereof.
 FIG. 9 is a rear view thereof; and,
 FIG. 10 is a rear perspective view thereof.

1 Claim, 6 Drawing Sheets



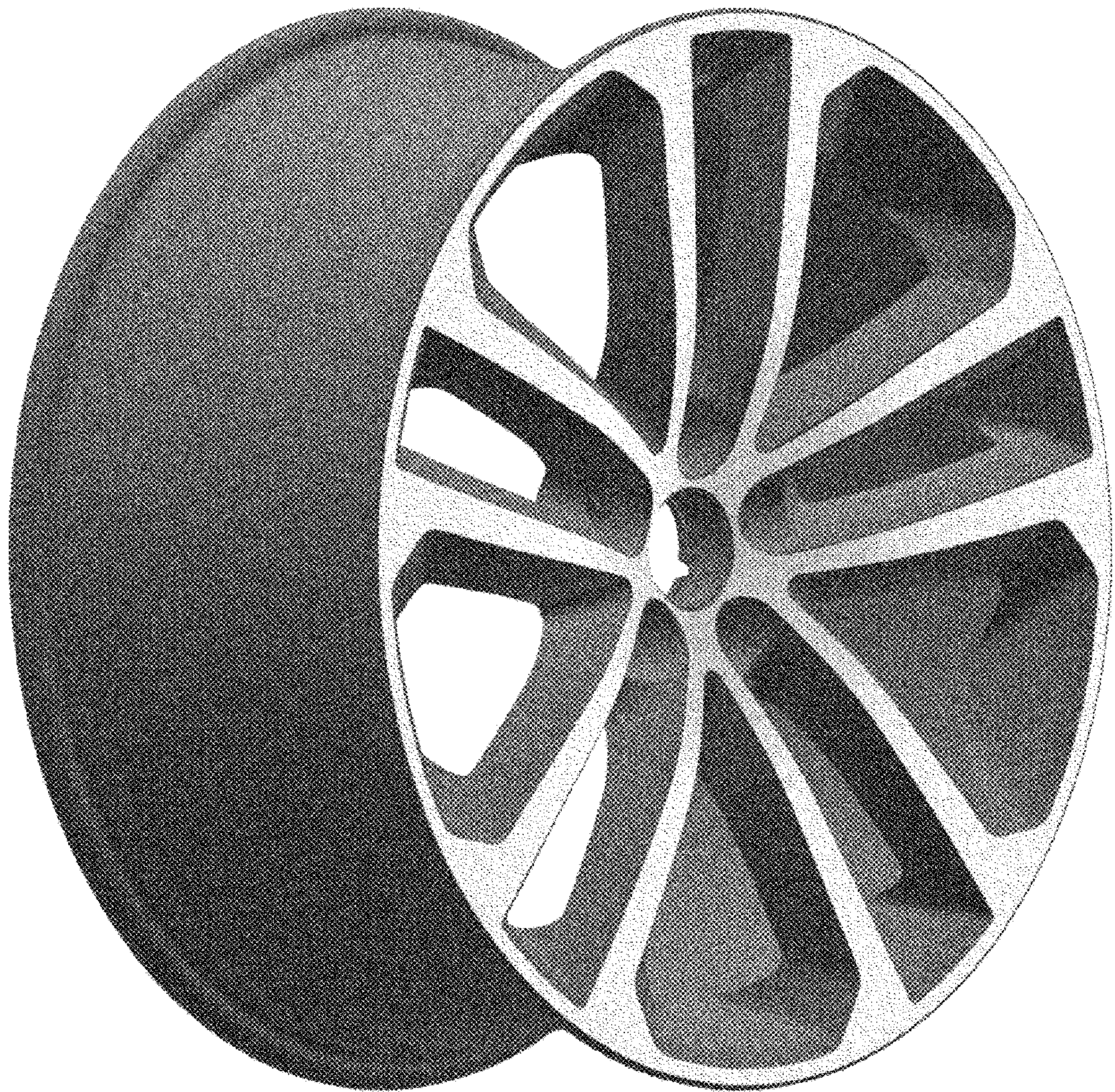


FIG. 1

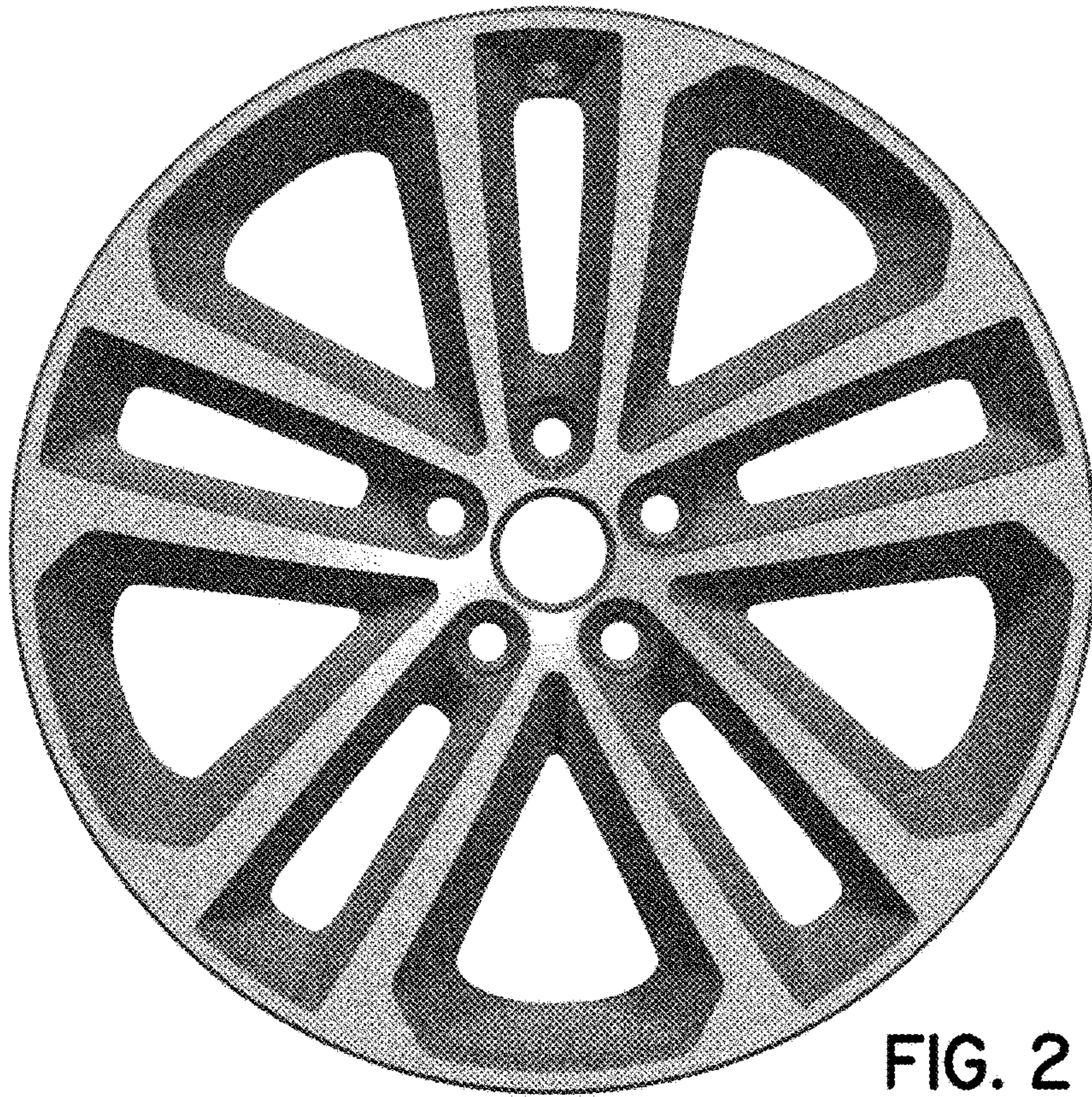


FIG. 2

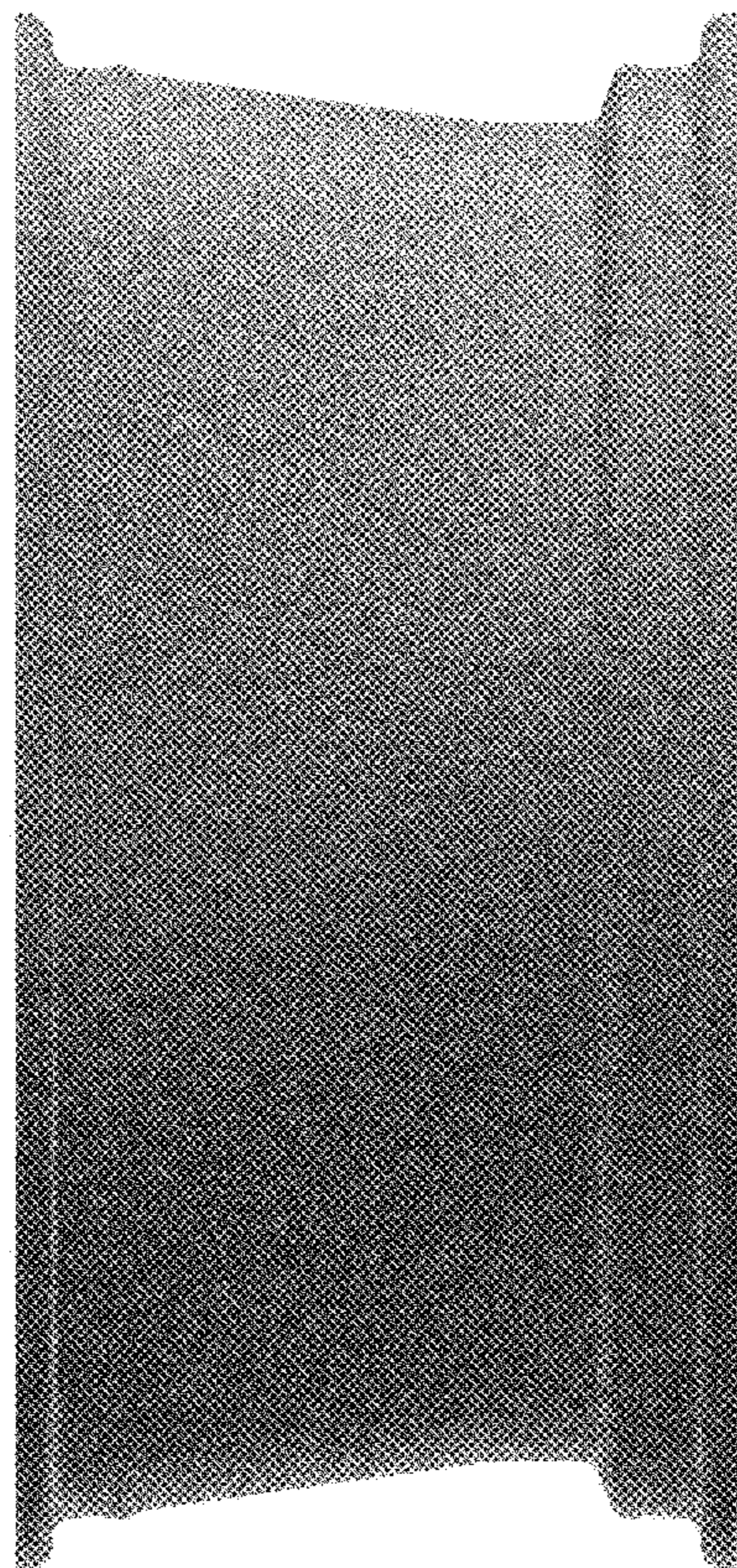


FIG. 3

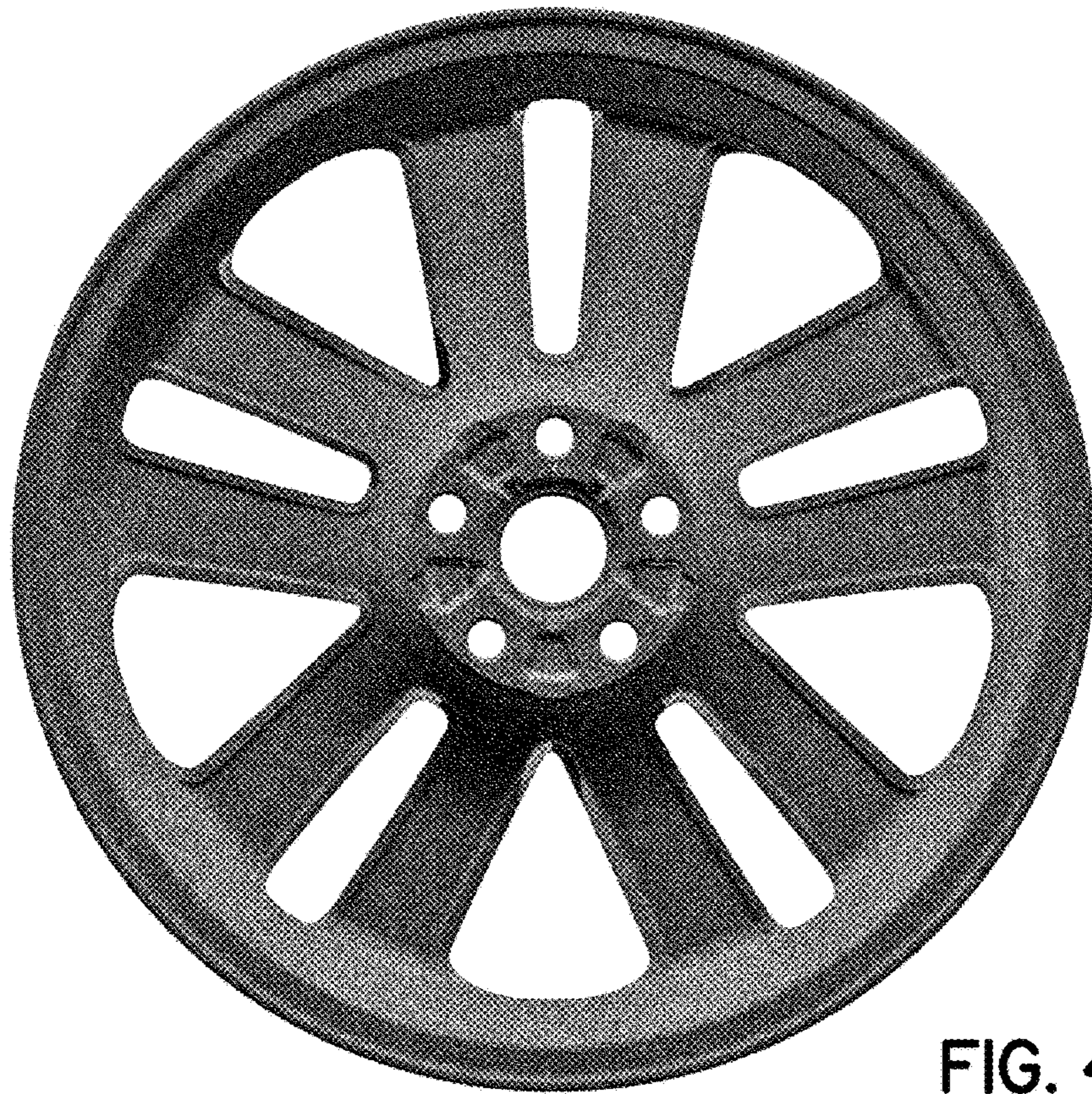


FIG. 4

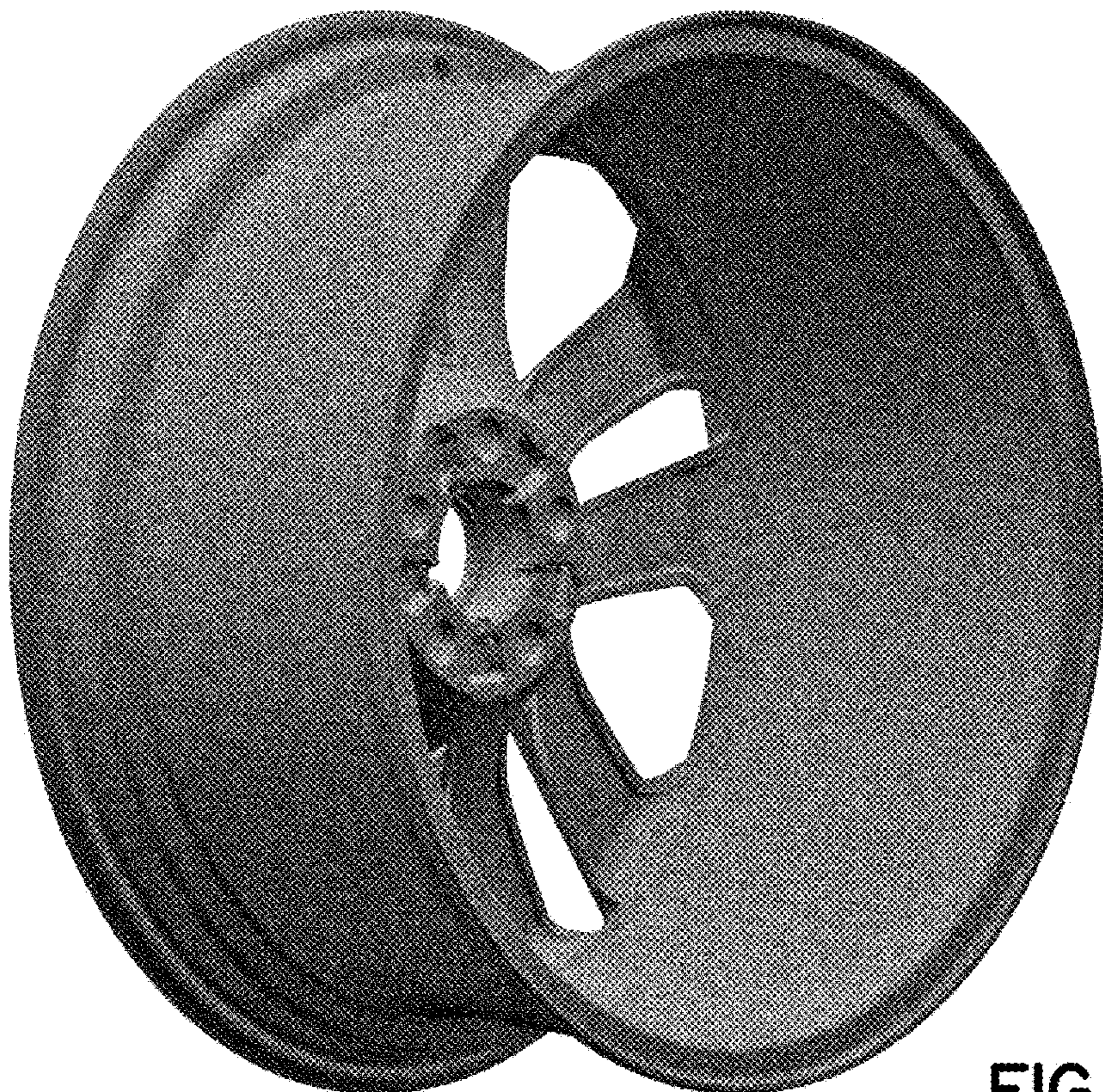


FIG. 5



FIG. 6

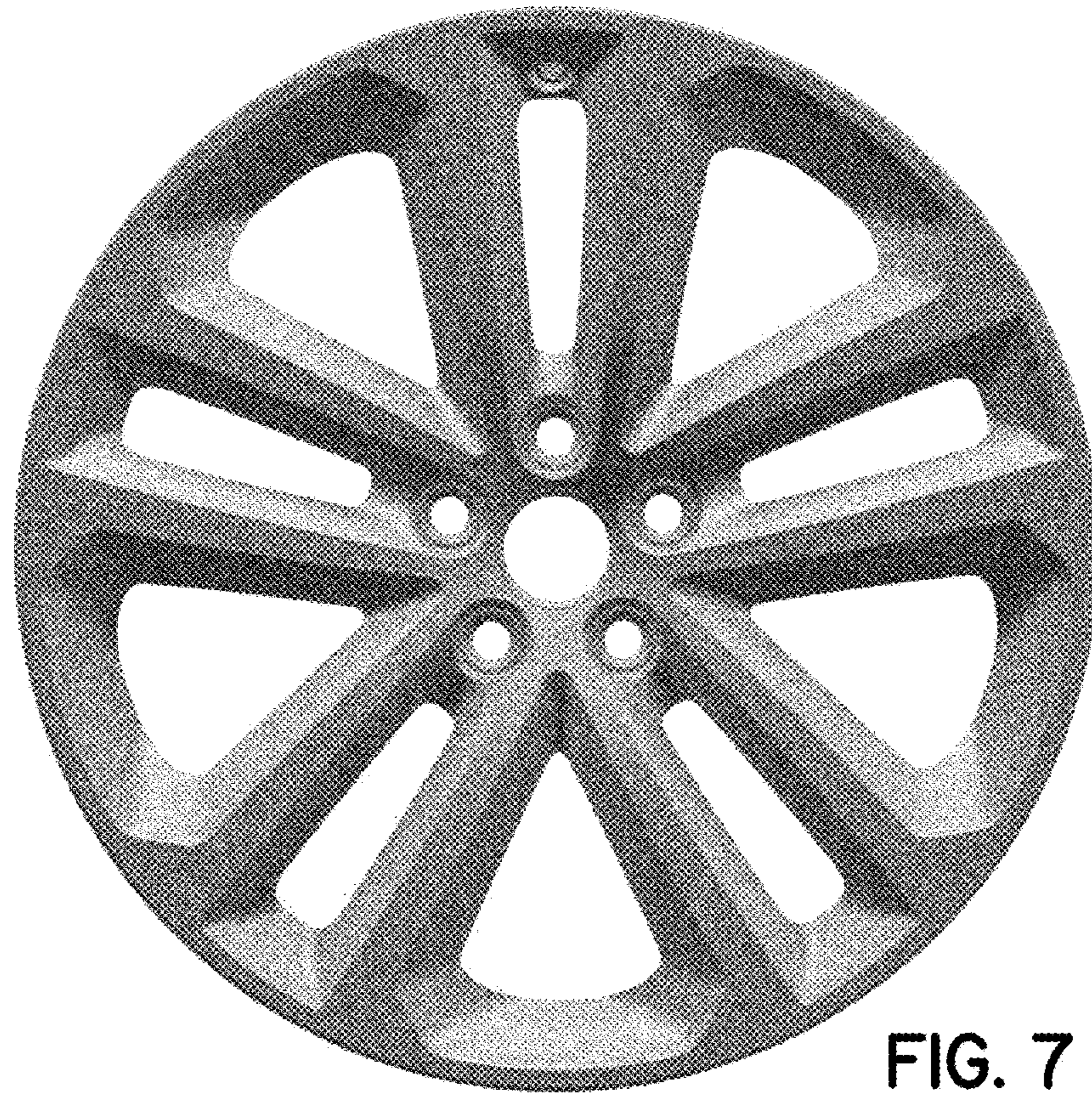


FIG. 7

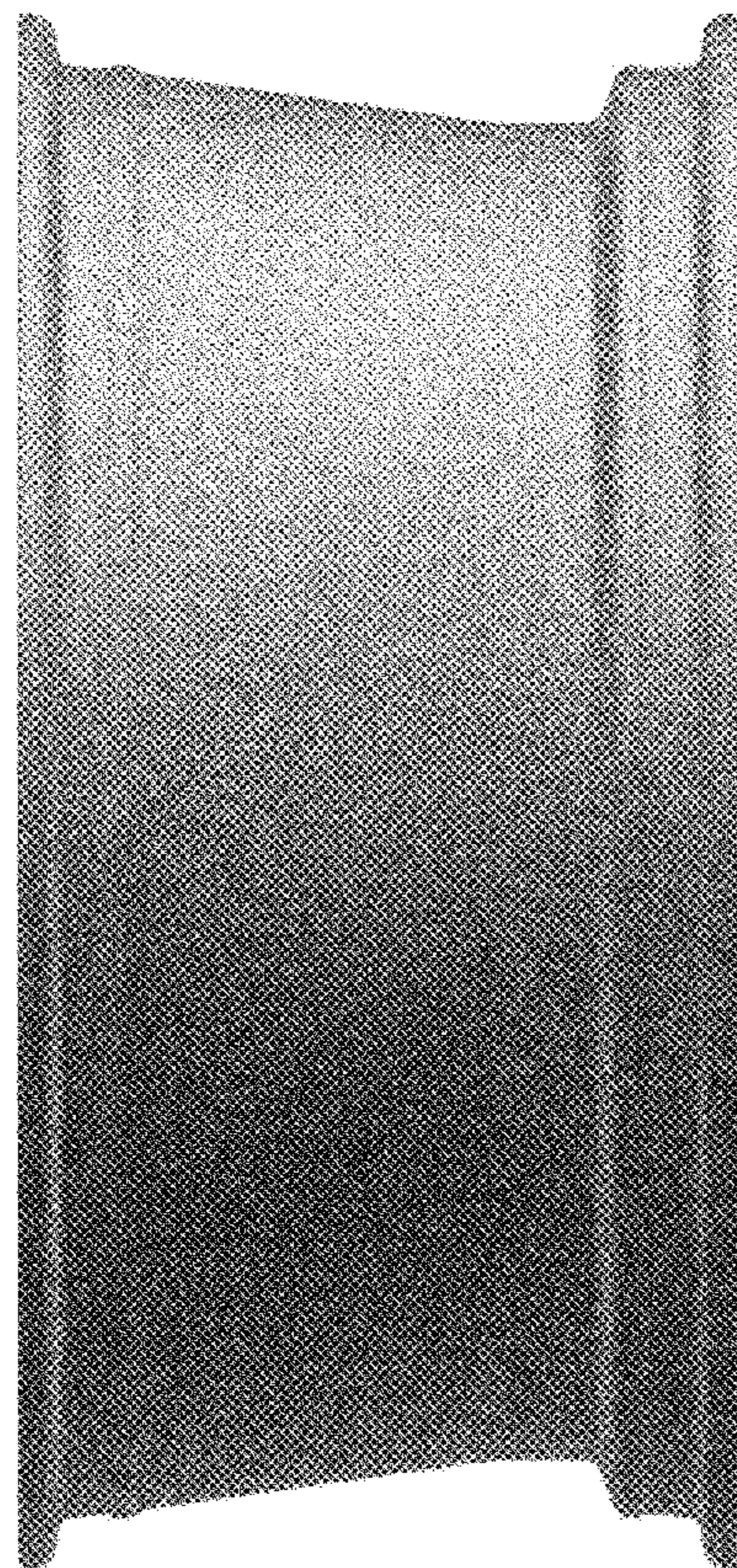


FIG. 8

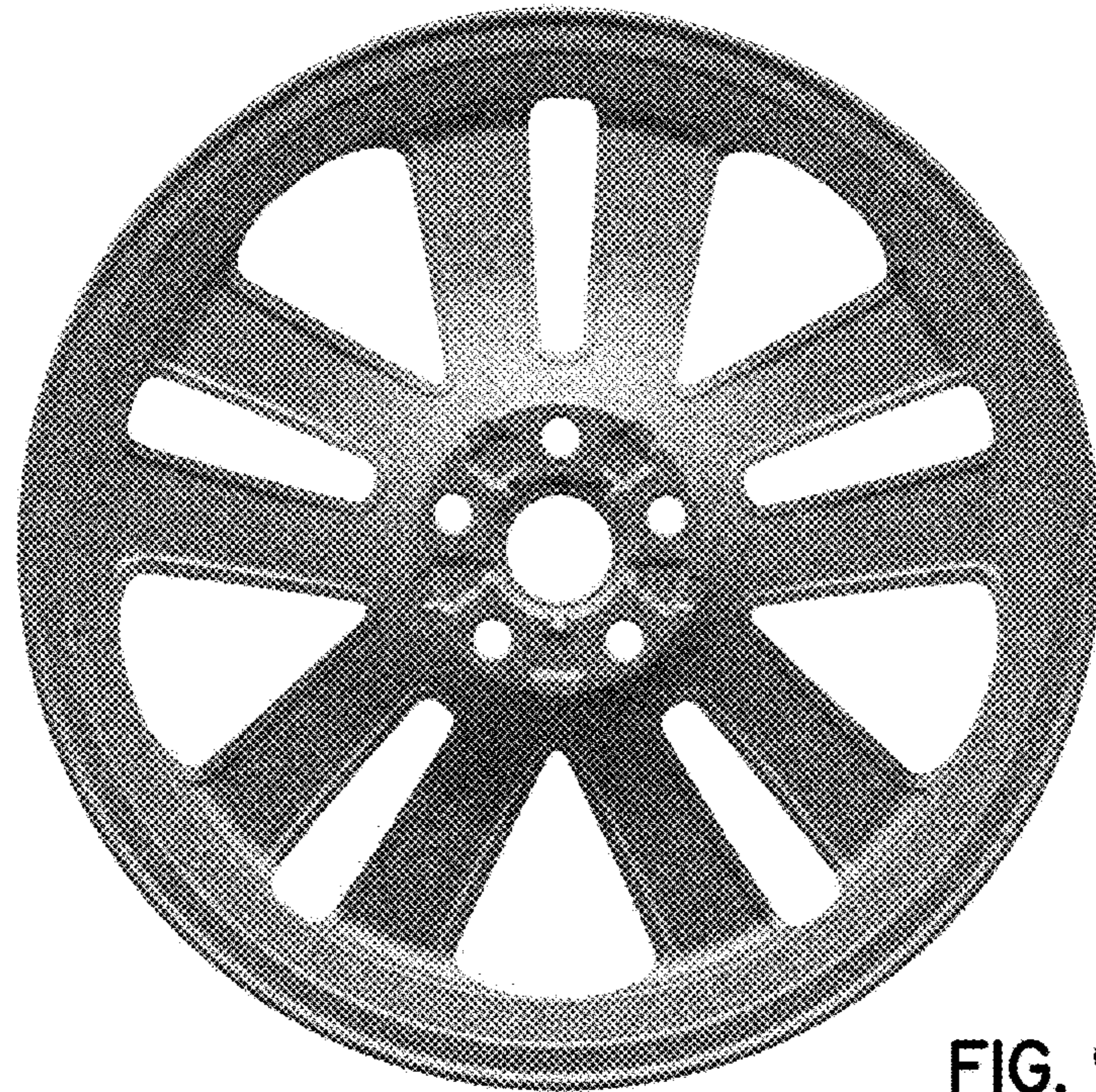


FIG. 9

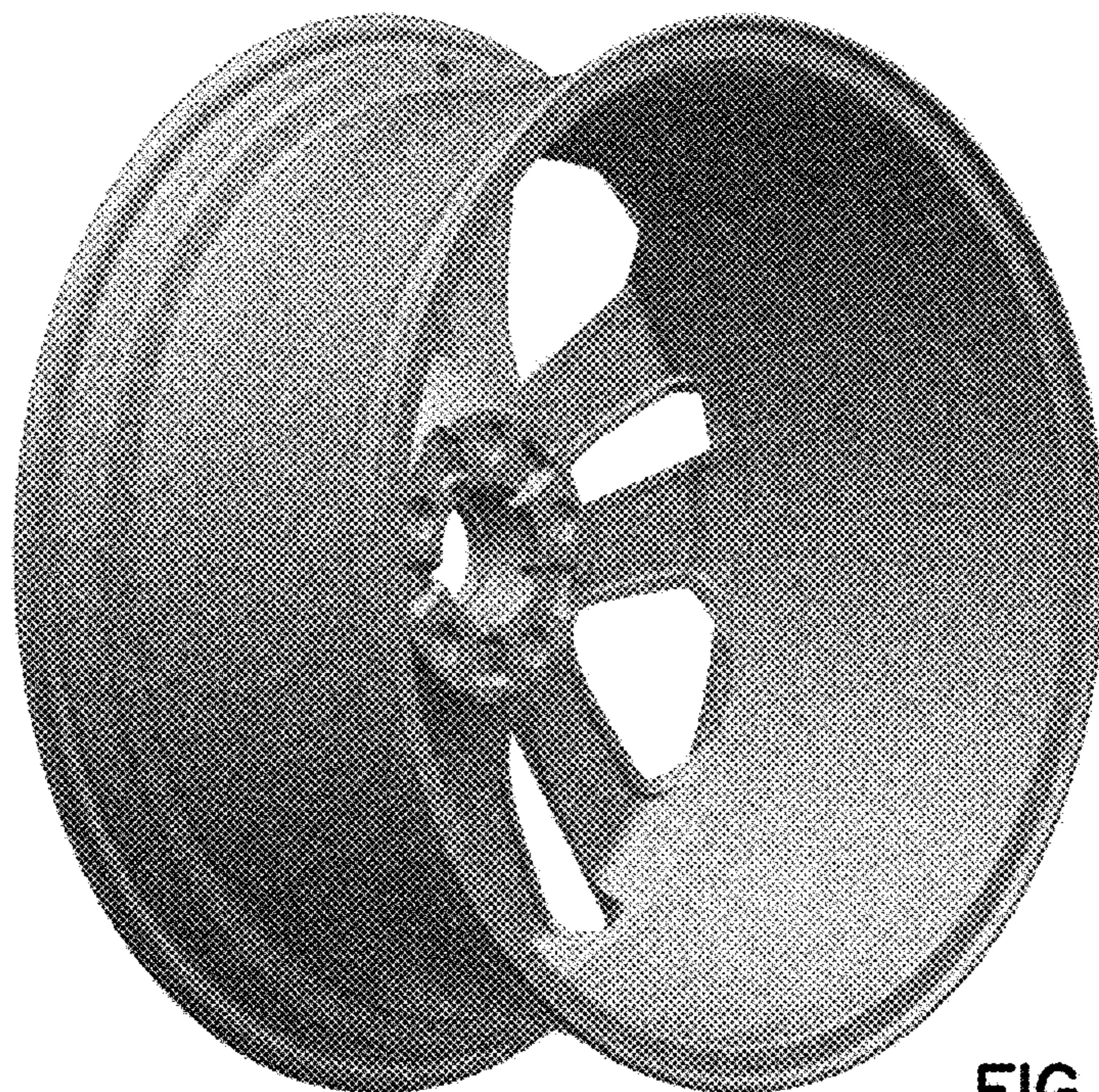


FIG. 10