



US00D805455S

(12) **United States Design Patent** (10) **Patent No.:** **US D805,455 S**  
**Kong** (45) **Date of Patent:** **\*\* Dec. 19, 2017**

(54) **WHEEL**  
(71) Applicant: **Wheel Pros, LLC**, Greenwood Village, CO (US)  
(72) Inventor: **Berky Kong**, Hong Kong (HK)  
(\*\*) Term: **15 Years**  
(21) Appl. No.: **29/584,864**  
(22) Filed: **Nov. 17, 2016**  
(51) **LOC (10) Cl.** ..... **12-16**  
(52) **U.S. Cl.**  
USPC ..... **D12/209**  
(58) **Field of Classification Search**  
USPC ..... D12/204-213  
CPC .... B60B 7/00; B60B 7/02; B60B 7/04; B60B 7/01; B60B 7/06; B60B 3/02; B60B 3/04; B60B 3/06; B60B 3/10; B60B 1/00; B60B 1/08; B60B 1/10; B60B 1/12  
See application file for complete search history.

D496,317 S 9/2004 Kataoka  
D499,684 S \* 12/2004 Cheng ..... D12/209  
D502,438 S \* 3/2005 Weld ..... D12/211  
D504,859 S \* 5/2005 Sulahian ..... D12/209  
D513,486 S 1/2006 Rivera  
D519,433 S \* 4/2006 Finn ..... D12/210  
D524,220 S \* 7/2006 Scheu ..... D12/211  
D528,495 S 9/2006 Truebsbach  
D535,601 S \* 1/2007 Beigel ..... D12/204  
D538,726 S 3/2007 Wright  
D538,727 S 3/2007 Wright  
D542,209 S 5/2007 Pfeiffer  
D550,600 S \* 9/2007 Celik ..... D12/209  
D552,525 S 10/2007 Celik  
D553,068 S 10/2007 Celik  
D569,777 S 5/2008 Chung  
D576,093 S \* 9/2008 Chung ..... D12/210  
D576,936 S 9/2008 Imai  
D577,650 S 9/2008 Chung  
D578,457 S 10/2008 Guidry  
D579,845 S \* 11/2008 Chung ..... D12/209  
D582,827 S \* 12/2008 Musser ..... D12/210  
D582,829 S \* 12/2008 Musser ..... D12/211  
D582,831 S 12/2008 Musser  
D583,290 S 12/2008 Wang  
D583,291 S \* 12/2008 Treadway ..... D12/211

(Continued)

(56) **References Cited**  
U.S. PATENT DOCUMENTS

D273,102 S 3/1984 Woodward  
D291,796 S 9/1987 Reid  
D361,975 S 9/1995 Weld  
5,676,430 A \* 10/1997 Wright ..... B60B 7/00  
301/108.4  
D408,775 S 4/1999 Shikado  
D453,724 S 2/2002 Hodges  
D455,698 S 4/2002 Chung  
D464,010 S 10/2002 Chung  
D467,212 S 12/2002 Noriega  
D470,094 S 2/2003 van Hooydonk  
D478,542 S 8/2003 Sulahian  
D480,036 S 9/2003 Laengerer  
D482,996 S 12/2003 Sulahian  
D492,925 S 7/2004 Fitzgerald

*Primary Examiner* — Sandra Snapp  
(74) *Attorney, Agent, or Firm* — Eric Hanscom

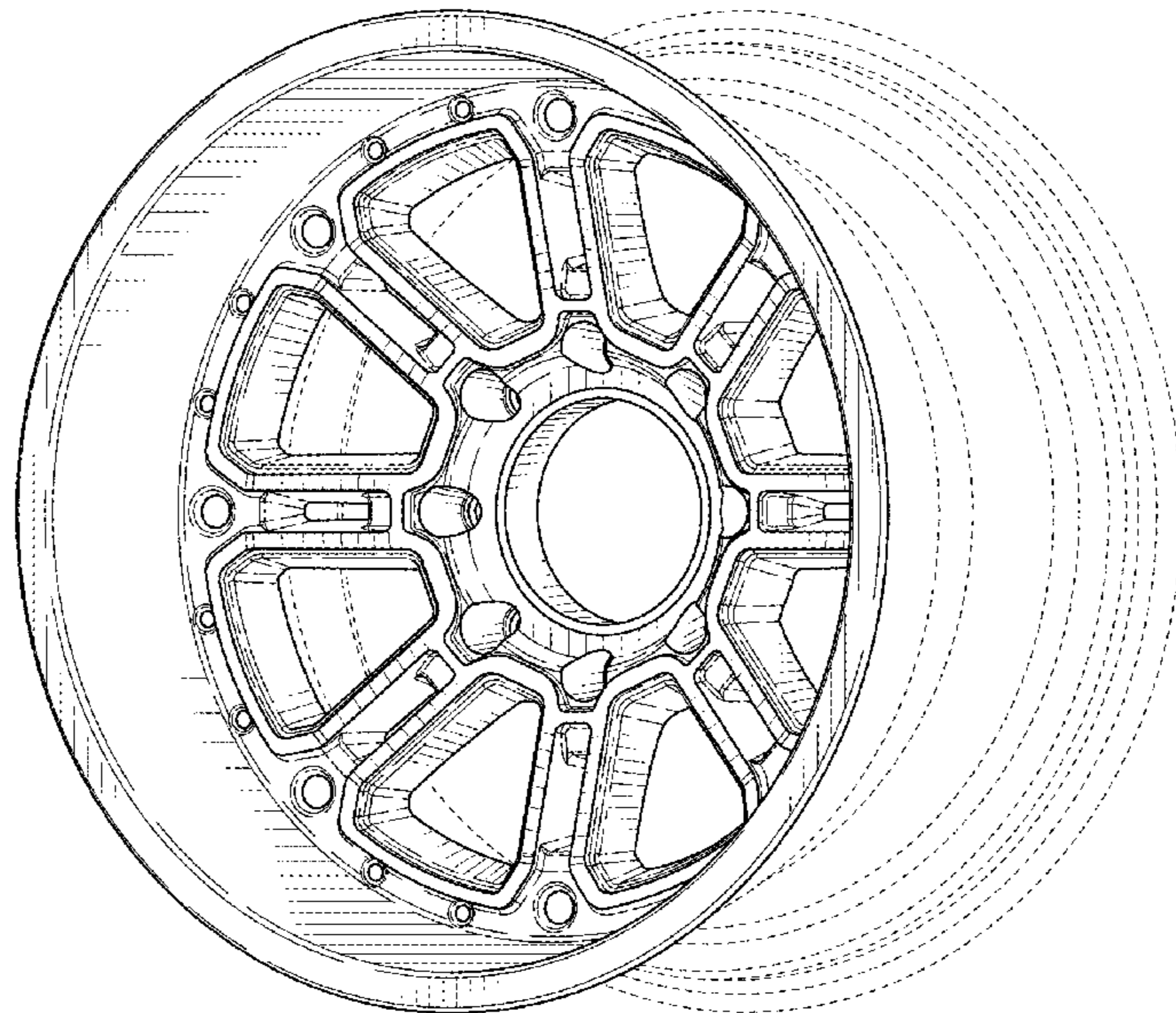
(57) **CLAIM**

The ornamental design for a wheel, as shown and described.

**DESCRIPTION**

FIG. 1 is a perspective view of a wheel showing my new design; and,  
FIG. 2 is a front view thereof.  
In the drawings, the broken lines depict environmental subject matter only and form no part of the claimed design.

**1 Claim, 2 Drawing Sheets**



(56)

References Cited

U.S. PATENT DOCUMENTS

D585,801 S	2/2009	Wang		D706,197 S	6/2014	Chung	
D590,317 S *	4/2009	Chung	D12/211	D707,167 S *	6/2014	Chung	D12/209
D596,099 S *	7/2009	Chung	D12/209	D709,020 S *	7/2014	Chung	D12/211
D598,357 S	8/2009	Chung		D711,304 S	8/2014	Chung	
D599,266 S	9/2009	Bierenbreier		D713,316 S *	9/2014	Song	D12/211
D612,316 S *	3/2010	Sanschagrin	D12/210	D714,207 S *	9/2014	Kim	D12/211
D613,659 S *	4/2010	Cortes	D12/209	D714,705 S *	10/2014	Kong	D12/211
D617,723 S	6/2010	Zhao		D714,706 S *	10/2014	Chung	D12/211
D619,073 S *	7/2010	Groom	D12/211	D715,211 S	10/2014	Gotschke	
D620,864 S *	8/2010	Groom	D12/209	D715,724 S *	10/2014	Chung	D12/211
D620,873 S	8/2010	Groom		D717,709 S *	11/2014	Valencia Pollex	D12/209
D623,109 S *	9/2010	Markefka	D12/209	D719,893 S *	12/2014	Kim	D12/211
D625,235 S	10/2010	Nissl		D726,628 S	4/2015	Kong	
D625,242 S *	10/2010	Zhao	D12/211	D726,630 S *	4/2015	Kong	D12/211
D627,697 S	11/2010	Wang		D731,946 S *	6/2015	Chung	D12/211
D633,028 S *	2/2011	Kim	D12/211	D731,964 S *	6/2015	Williams	D12/608
D635,903 S *	4/2011	Zhang	D12/209	D733,027 S	6/2015	Chung	
D638,767 S	5/2011	Groom		D735,104 S	7/2015	Hodges	
D649,101 S *	11/2011	Hale, Jr.	D12/209	D739,803 S	9/2015	Miansian	
D651,150 S	12/2011	Blewer		D742,293 S	11/2015	Chung	
D651,151 S	12/2011	Blewer		D746,753 S *	1/2016	Johnson	D12/209
D654,007 S *	2/2012	Nissl	D12/211	D748,556 S *	2/2016	Valencia Pollex	D12/209
D654,420 S *	2/2012	Guay	D12/211	D749,030 S *	2/2016	Zhao	D12/211
D659,069 S *	5/2012	Johnson	D12/211	D750,003 S	2/2016	Ahmad	
D660,771 S *	5/2012	Mueller-Stolz	D12/211	9,266,386 B2 *	2/2016	Wang	B60B 7/066
D666,960 S *	9/2012	Chung	D12/211	D753,046 S *	4/2016	Liffick	D12/209
D669,009 S	10/2012	Chung		D753,048 S *	4/2016	Chan	D12/211
D675,971 S *	2/2013	Lee	D12/209	D755,694 S *	5/2016	Valencia Pollex	D12/209
D680,938 S *	4/2013	Hale, Jr.	D12/210	D756,287 S *	5/2016	Koglin	D12/211
D684,516 S *	6/2013	Bennion	D12/209	D756,882 S	5/2016	Tirado	
D691,543 S *	10/2013	Gordon	D12/209	D764,373 S	8/2016	Valencia Pollex	
D695,193 S *	12/2013	Kong	D12/211	D764,374 S *	8/2016	Chung	D12/211
D698,298 S	1/2014	Cortes		D764,375 S *	8/2016	Chung	D12/211
D698,300 S *	1/2014	Chung	D12/211	D766,805 S	9/2016	Chung	
D702,172 S *	4/2014	Chung	D12/211	D769,166 S	10/2016	Juergens	
D704,118 S *	5/2014	Chung	D12/209	D769,785 S *	10/2016	Wells	D12/211
D704,123 S *	5/2014	Rahman	D12/211	D770,960 S	11/2016	Svensson	
D704,616 S *	5/2014	Chung	D12/211	D775,578 S *	1/2017	Johnson	D12/211
D704,617 S	5/2014	Chung		D780,655 S	3/2017	Trim	
				D782,955 S *	4/2017	Zhao	D12/211
				D791,675 S *	7/2017	Guo	D12/211

\* cited by examiner

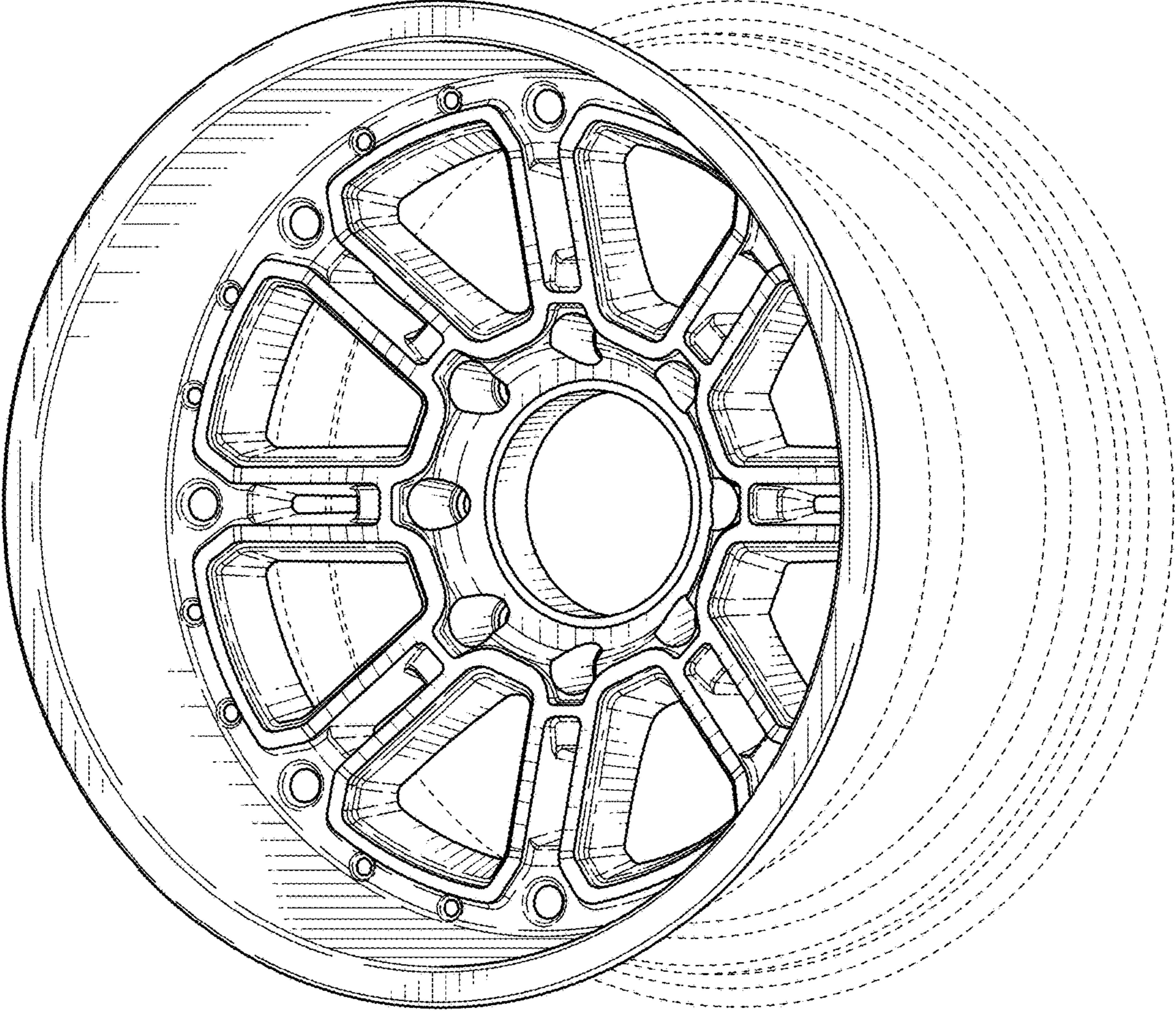


FIG. 1

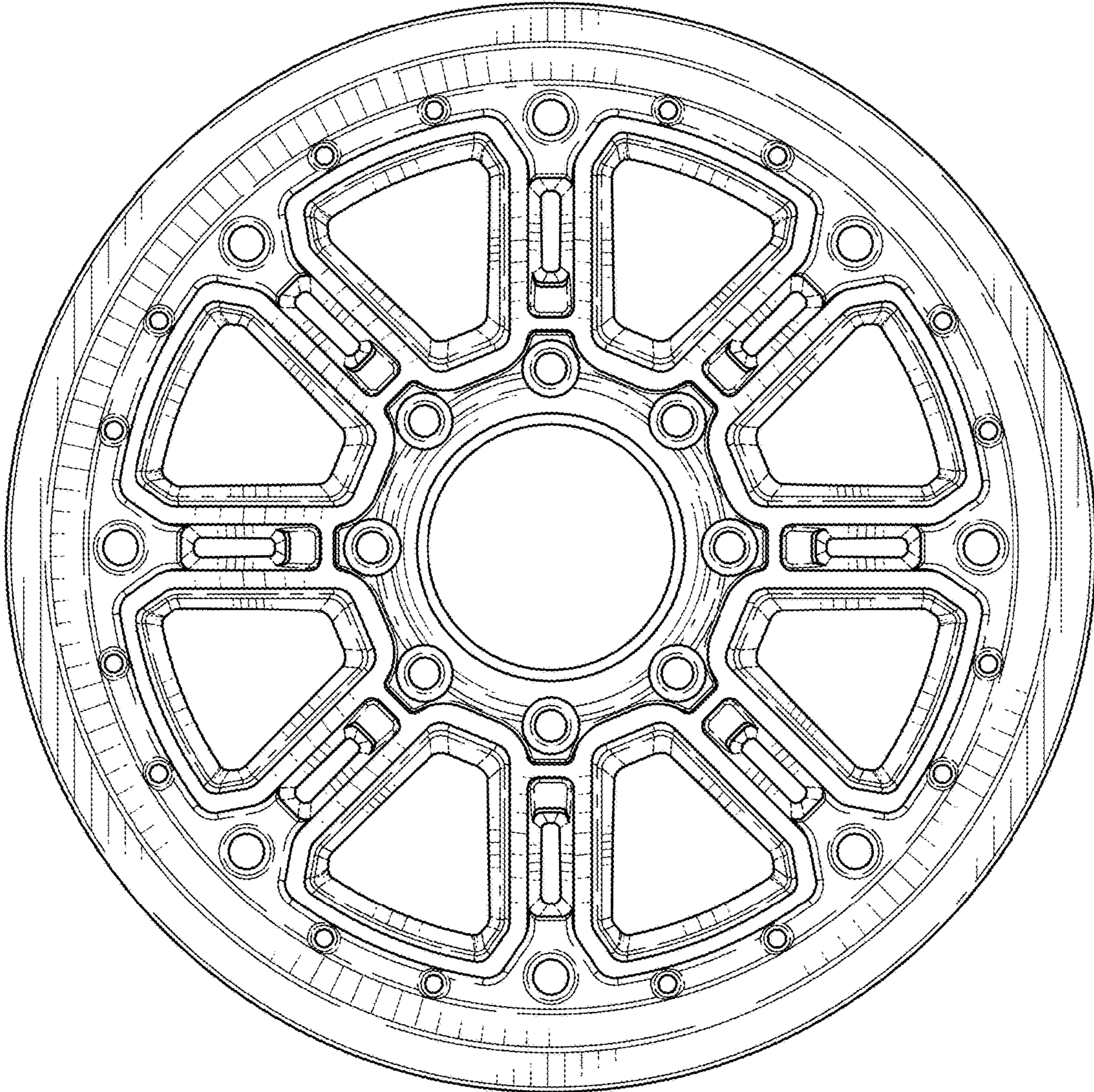


FIG. 2