



US00D805454S

(12) **United States Design Patent** (10) **Patent No.:** **US D805,454 S**
Kong (45) **Date of Patent:** **** Dec. 19, 2017**

(54) **WHEEL**
(71) Applicant: **Wheel Pros, LLC**, Greenwood Village, CO (US)
(72) Inventor: **Berky Kong**, Hong Kong (HK)
(**) Term: **15 Years**
(21) Appl. No.: **29/584,863**
(22) Filed: **Nov. 17, 2016**
(51) **LOC (10) Cl.** **12-16**
(52) **U.S. Cl.**
USPC **D12/209**
(58) **Field of Classification Search**
USPC D12/204–213
CPC B60B 7/00; B60B 7/02; B60B 7/04; B60B 7/01; B60B 7/06; B60B 3/02; B60B 3/04; B60B 3/06; B60B 3/10; B60B 1/00; B60B 1/08; B60B 1/10; B60B 1/12
See application file for complete search history.

D492,925 S 7/2004 Fitzgerald
D496,317 S 9/2004 Kataoka
D499,684 S * 12/2004 Cheng D12/209
D502,438 S * 3/2005 Weld D12/211
D504,859 S * 5/2005 Sulahian D12/209
D513,486 S 1/2006 Rivera
D519,433 S * 4/2006 Finn D12/210
D524,220 S * 7/2006 Scheu D12/211
D527,699 S * 9/2006 Kiesel D12/209
D528,495 S 9/2006 Truebsbach
D535,601 S * 1/2007 Beigel D12/204
D538,726 S 3/2007 Wright
D538,727 S 3/2007 Wright
D542,209 S 5/2007 Pfeiffer
D550,600 S * 9/2007 Celik D12/209
D552,525 S 10/2007 Celik
D553,068 S 10/2007 Celik
D569,777 S 5/2008 Chung
D576,093 S * 9/2008 Chung D12/210
D576,936 S 9/2008 Imai
D577,650 S 9/2008 Chung
D578,457 S 10/2008 Guidry
D579,845 S 11/2008 Chung
D582,827 S * 12/2008 Musser D12/210
D582,831 S 12/2008 Musser
D583,290 S 12/2008 Wang

(Continued)

(56) **References Cited**
U.S. PATENT DOCUMENTS

D273,102 S 3/1984 Woodward
D291,796 S 9/1987 Reid
D361,975 S 9/1995 Weld
5,676,430 A * 10/1997 Wright B60B 7/00
301/108.4
D408,775 S 4/1999 Shikado
D445,078 S * 7/2001 Chung D12/209
D453,724 S 2/2002 Hodges
D455,698 S 4/2002 Chung
D464,010 S 10/2002 Chung
D467,212 S 12/2002 Noriega
D470,094 S 2/2003 van Hooydonk
D478,542 S 8/2003 Sulahian
D480,036 S 9/2003 Laengerer
D482,996 S 12/2003 Sulahian

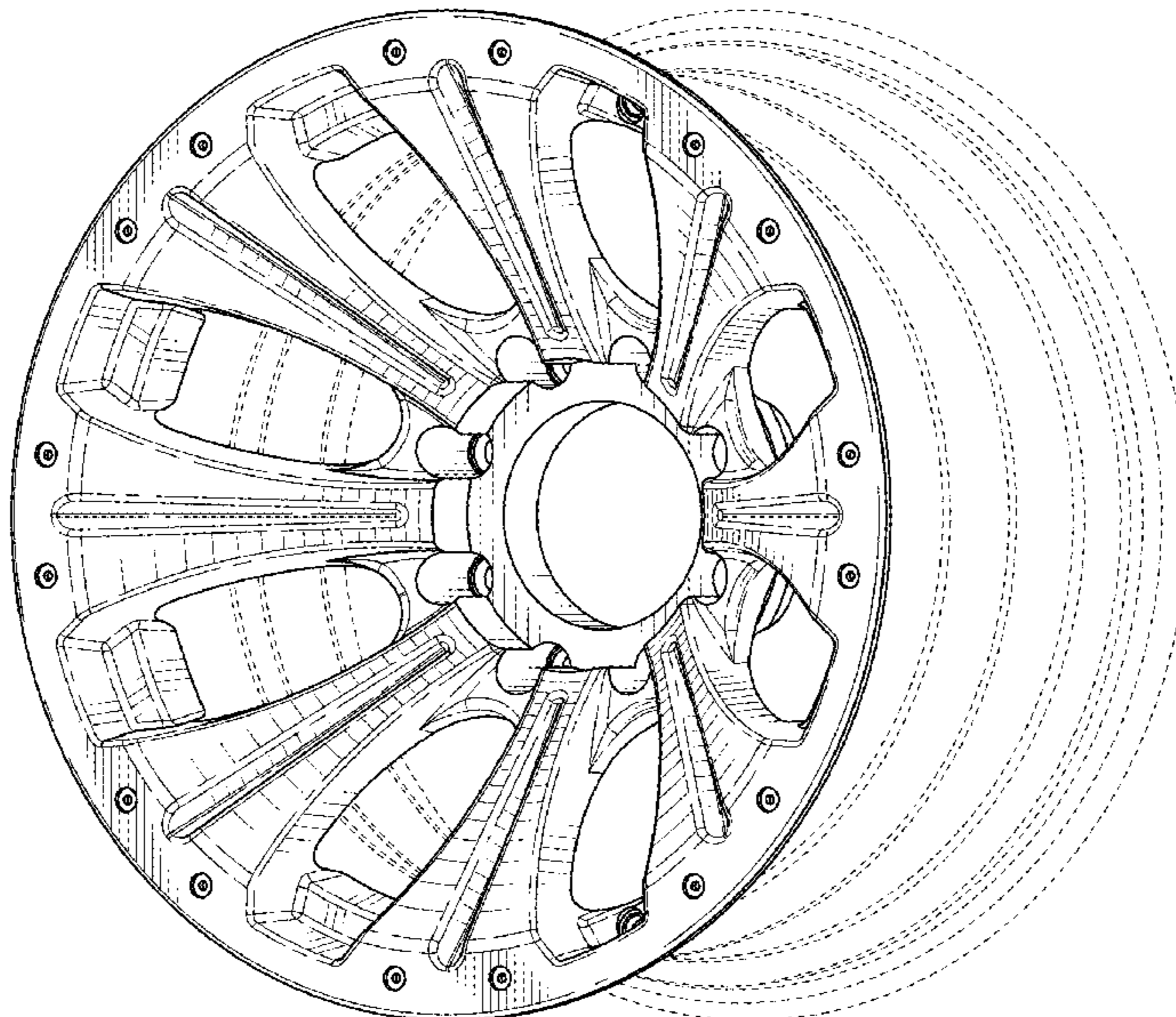
Primary Examiner — Sandra Snapp
(74) *Attorney, Agent, or Firm* — Eric Hanscom

(57) **CLAIM**
The ornamental design for a wheel, as shown and described.

DESCRIPTION

FIG. 1 is a perspective view of a wheel showing my new design; and,
FIG. 2 is a front view thereof.
In the drawings, the broken lines depict environmental subject matter only and form no part of the claimed design.

1 Claim, 2 Drawing Sheets



(56)

References Cited

U.S. PATENT DOCUMENTS

D585,801 S	2/2009	Wang		D707,168 S *	6/2014	Chan	D12/209
D596,099 S *	7/2009	Chung	D12/209	D709,020 S *	7/2014	Chung	D12/211
D597,463 S *	8/2009	Chung	D12/209	D711,304 S	8/2014	Chung	
D598,357 S	8/2009	Chung		D713,316 S *	9/2014	Song	D12/211
D599,266 S	9/2009	Bierenbreier		D713,946 S *	9/2014	Kahle	D23/289
D612,316 S *	3/2010	Sanschagrín	D12/210	D714,207 S *	9/2014	Kim	D12/211
D613,659 S *	4/2010	Cortés	D12/209	D714,705 S *	10/2014	Kong	D12/211
D617,723 S	6/2010	Zhao		D714,706 S *	10/2014	Chung	D12/211
D619,073 S *	7/2010	Groom	D12/211	D715,211 S	10/2014	Gotschke	
D620,864 S *	8/2010	Groom	D12/209	D717,709 S *	11/2014	Valencia Pollex	D12/209
D620,873 S	8/2010	Groom		D719,890 S *	12/2014	Johnson	D12/209
D623,109 S *	9/2010	Markefka	D12/209	D726,628 S	4/2015	Kong	
D625,235 S	10/2010	Nissl		D726,630 S *	4/2015	Kong	D12/211
D627,697 S	11/2010	Wang		D731,946 S *	6/2015	Chung	D12/211
D635,903 S *	4/2011	Zhang	D12/209	D733,027 S	6/2015	Chung	
D638,767 S	5/2011	Groom		D735,104 S	7/2015	Hodges	
D639,221 S *	6/2011	Johnson	D12/209	D739,803 S	9/2015	Miansian	
D651,150 S	12/2011	Blewer		D742,293 S	11/2015	Chung	
D651,151 S	12/2011	Blewer		D747,674 S *	1/2016	Johnson	D12/209
D654,007 S *	2/2012	Nissl	D12/211	D748,556 S *	2/2016	Valencia Pollex	D12/209
D654,420 S *	2/2012	Guay	D12/211	D748,557 S *	2/2016	Johnson	D12/209
D659,064 S *	5/2012	Johnson	D12/209	D749,030 S *	2/2016	Zhao	D12/211
D660,771 S *	5/2012	Mueller-Stolz	D12/211	D750,003 S	2/2016	Ahmad	
D666,960 S *	9/2012	Chung	D12/211	9,266,386 B2 *	2/2016	Wang	B60B 7/066
D669,009 S	10/2012	Chung		D751,018 S *	3/2016	Platto	D12/209
D670,222 S *	11/2012	Chung	D12/209	D753,046 S *	4/2016	Liffick	D12/209
D680,938 S *	4/2013	Hale, Jr.	D12/210	D755,694 S *	5/2016	Valencia Pollex	D12/209
D684,516 S *	6/2013	Bennion	D12/209	D756,287 S *	5/2016	Koglin	D12/211
D691,545 S *	10/2013	Gordon	D12/211	D756,882 S	5/2016	Tirado	
D695,193 S	12/2013	Kong		D763,769 S *	8/2016	Johnson	D12/211
D698,298 S	1/2014	Cortés		D764,373 S	8/2016	Valencia Pollex	
D698,300 S *	1/2014	Chung	D12/211	D766,805 S	9/2016	Chung	
D701,480 S *	3/2014	Kong	D12/209	D769,166 S	10/2016	Juergens	
D702,172 S *	4/2014	Chung	D12/211	D769,785 S *	10/2016	Wells	D12/211
D704,617 S	5/2014	Chung		D770,960 S	11/2016	Svensson	
D706,197 S	6/2014	Chung		D775,578 S *	1/2017	Johnson	D12/211
D707,167 S *	6/2014	Chung	D12/209	D780,655 S	3/2017	Trim	
				D790,425 S *	6/2017	Johnson	D12/209

* cited by examiner

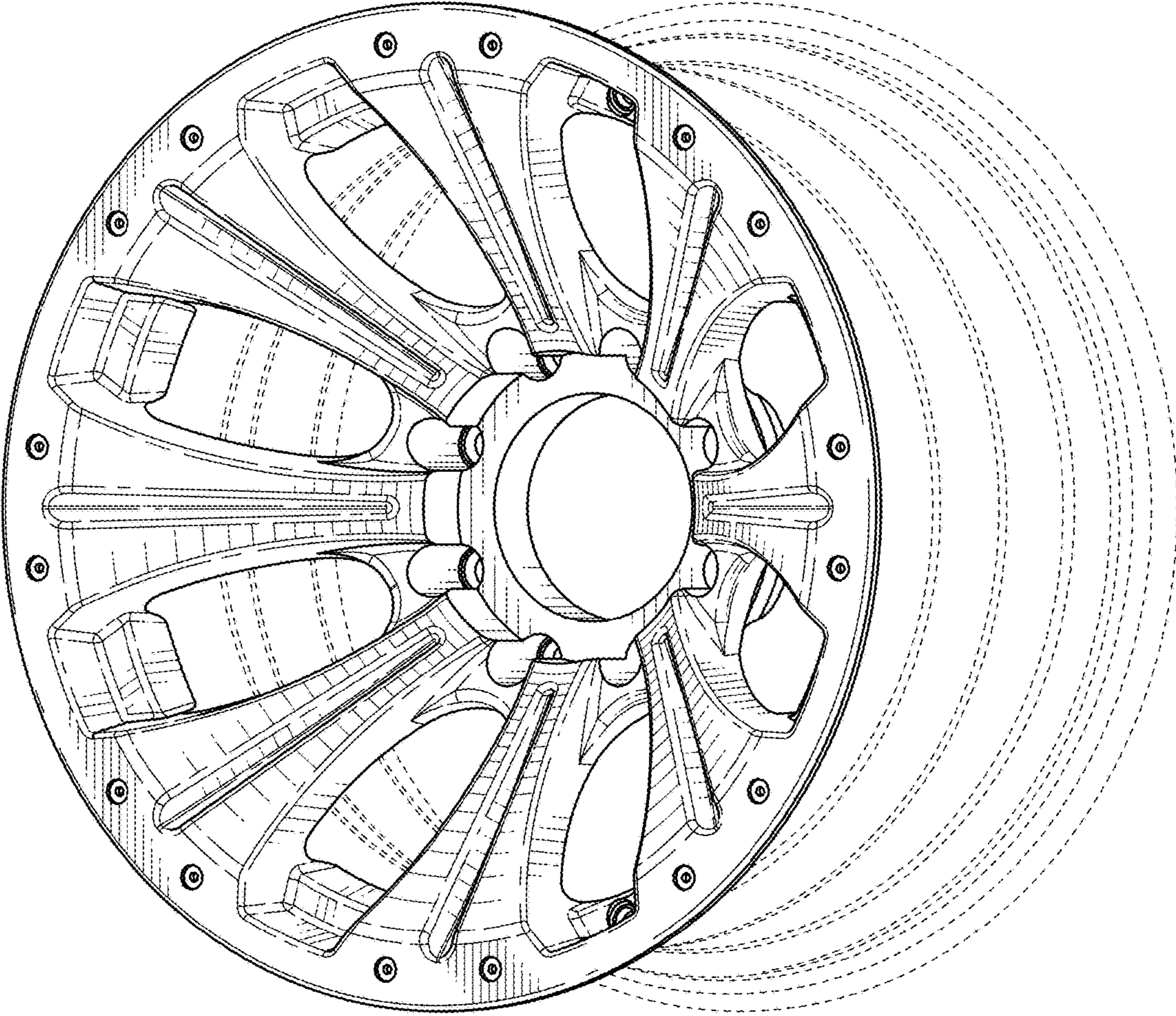


FIG. 1

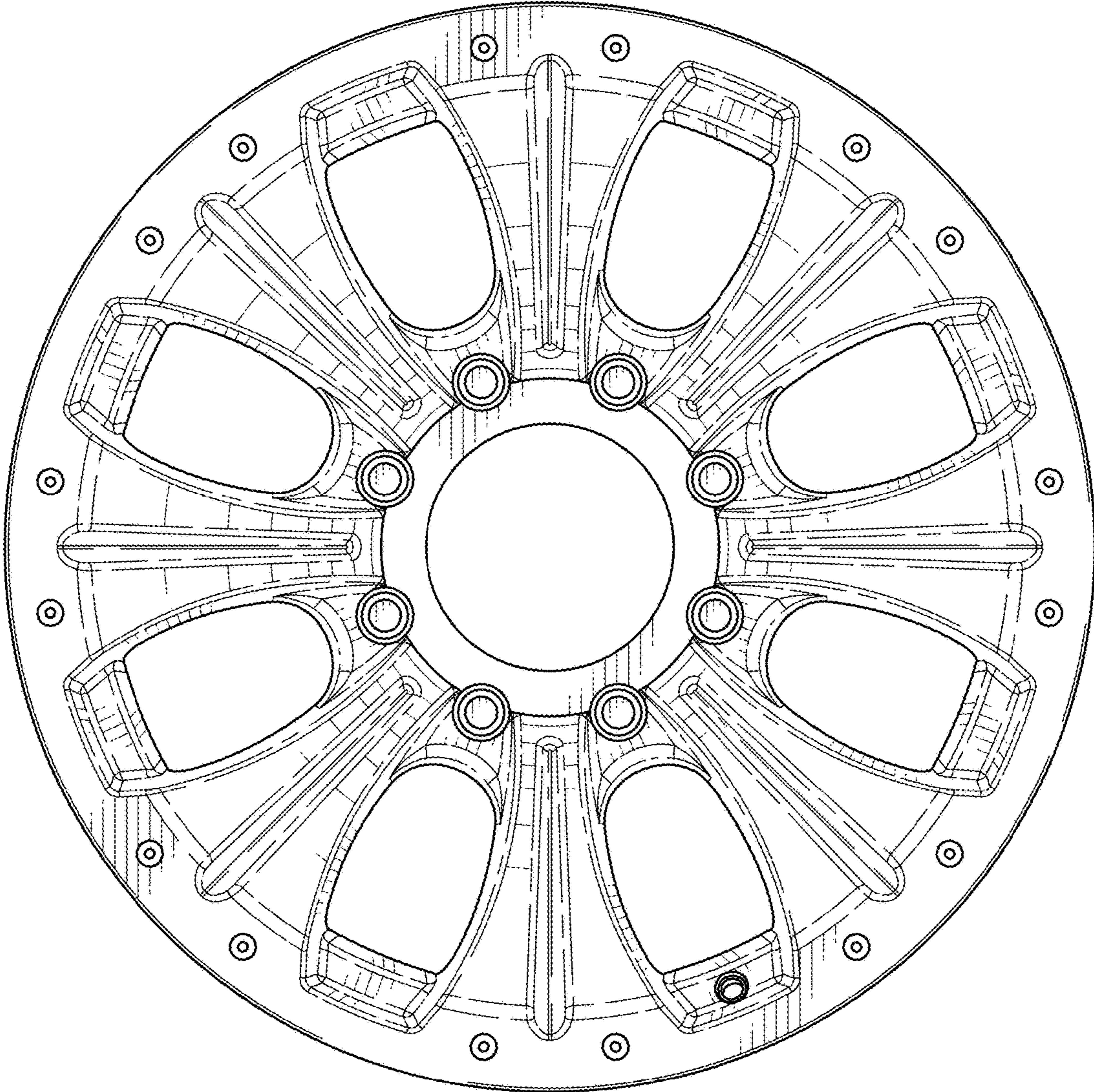


FIG. 2