



US00D805445S

(12) **United States Design Patent** (10) **Patent No.:** **US D805,445 S**  
**Villamizar** (45) **Date of Patent:** **\*\* Dec. 19, 2017**

(54) **TRUCK BUMPER**

(71) Applicant: **Diego J Villamizar**, Medley, FL (US)

(72) Inventor: **Diego J Villamizar**, Medley, FL (US)

(\*\*) Term: **15 Years**

(21) Appl. No.: **29/572,275**

(22) Filed: **Jul. 26, 2016**

(51) **LOC (10) Cl.** ..... **12-16**

(52) **U.S. Cl.**

USPC ..... **D12/169**

(58) **Field of Classification Search**

USPC .... D12/86, 91, 93, 163, 164, 166, 167, 169,  
D12/171, 172, 173, 190, 216

CPC ..... B60R 9/06; B60R 19/02; B60R 19/04;  
B60R 19/18; B60R 19/44; B60R 19/48;  
B62D 35/02; B62D 39/00; B62D 65/16;  
B62D 21/12; B29C 45/16

See application file for complete search history.

(56) **References Cited**

**U.S. PATENT DOCUMENTS**

- 4,130,312 A \* 12/1978 Cooper, Sr. .... B60R 19/04  
293/153
- 4,671,550 A \* 6/1987 Molnar ..... B60R 19/18  
293/102
- 5,308,134 A \* 5/1994 Stanesic ..... B60J 1/2005  
296/180.1
- D364,371 S \* 11/1995 Ray ..... D12/169
- D381,946 S \* 8/1997 Delashaw ..... D12/167
- D391,212 S \* 2/1998 Meryman ..... D12/169
- D419,506 S \* 1/2000 Texier ..... D12/169
- 6,230,832 B1 \* 5/2001 von Mayenburg .... B60K 11/08  
180/68.1
- 6,250,664 B1 \* 6/2001 Tetrick ..... B60D 1/249  
280/491.5
- 6,551,540 B1 \* 4/2003 Porter ..... B29C 45/1635  
264/255

- D530,653 S \* 10/2006 Angelo ..... D12/169
- D545,248 S \* 6/2007 Angelo ..... D12/169
- D563,840 S \* 3/2008 Simons ..... D12/169
- D565,484 S \* 4/2008 Johnson ..... D12/169
- D633,419 S \* 3/2011 Peltola ..... D12/169
- D653,999 S \* 2/2012 Peltola ..... D12/169
- D775,013 S \* 12/2016 Bennett ..... D12/169
- 2004/0160788 A1 \* 8/2004 Wagner ..... B60Q 1/32  
362/565
- 2010/0181786 A1 \* 7/2010 Tejler ..... B60D 1/02  
293/130
- 2013/0069385 A1 \* 3/2013 Cunagin ..... B62D 21/12  
296/1.07
- 2015/0082599 A1 \* 3/2015 Cunagin ..... B62D 49/04  
29/428
- 2015/0084369 A1 \* 3/2015 Niemi ..... B62D 35/02  
296/180.1
- 2016/0114748 A1 \* 4/2016 Hare ..... B60R 19/023  
293/106
- 2016/0200272 A1 \* 7/2016 Frederick ..... B60R 19/18  
293/120
- 2016/0280164 A1 \* 9/2016 Hammer ..... B60R 19/18
- 2016/0297388 A1 \* 10/2016 Hammer ..... B60R 19/34

(Continued)

*Primary Examiner* — Susan Bennett Hattan

*Assistant Examiner* — Suzanne E Tisdell

(74) *Attorney, Agent, or Firm* — Ruben Alcoba, Esq.

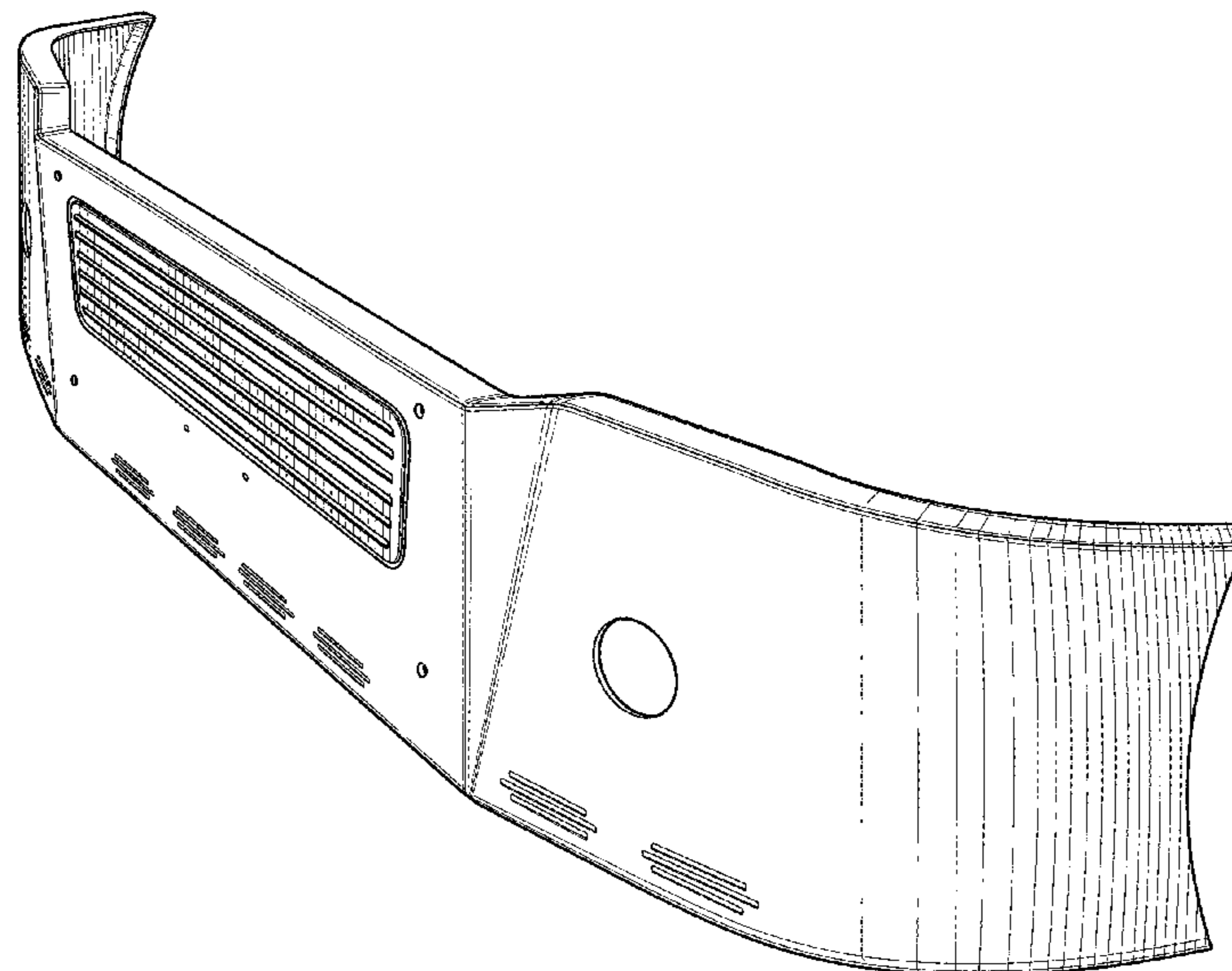
(57) **CLAIM**

The ornamental design for a truck bumper, as shown and described.

**DESCRIPTION**

FIG. 1 is a perspective view of a truck bumper;  
FIG. 2 is a front view of the truck bumper;  
FIG. 3 is a rear view of the truck bumper;  
FIG. 4 is a left side view of the truck bumper;  
FIG. 5 is a right side view of the truck bumper;  
FIG. 6 is a top view of the truck bumper; and,  
FIG. 7 is a bottom view of the truck bumper.

**1 Claim, 3 Drawing Sheets**



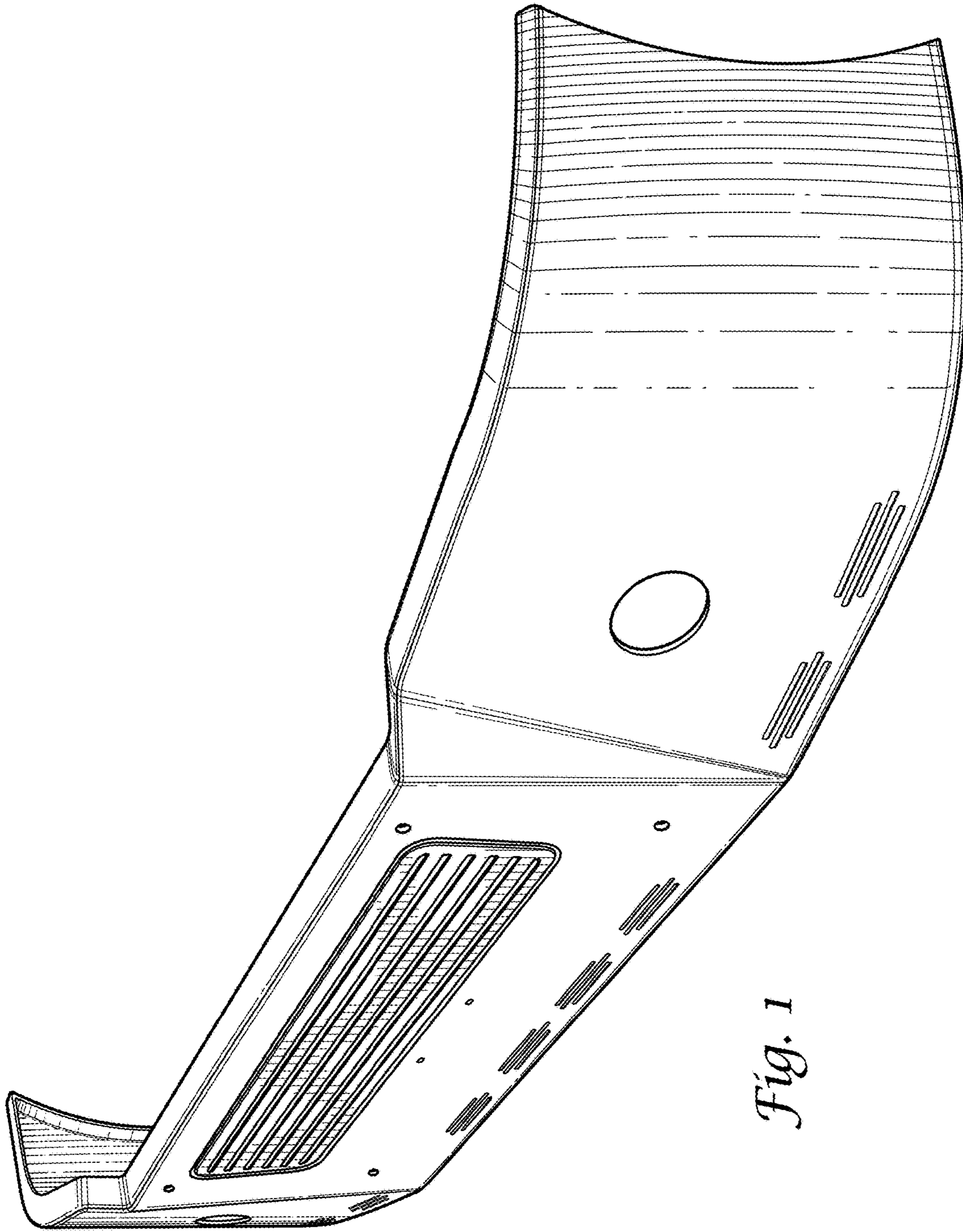
(56)

**References Cited**

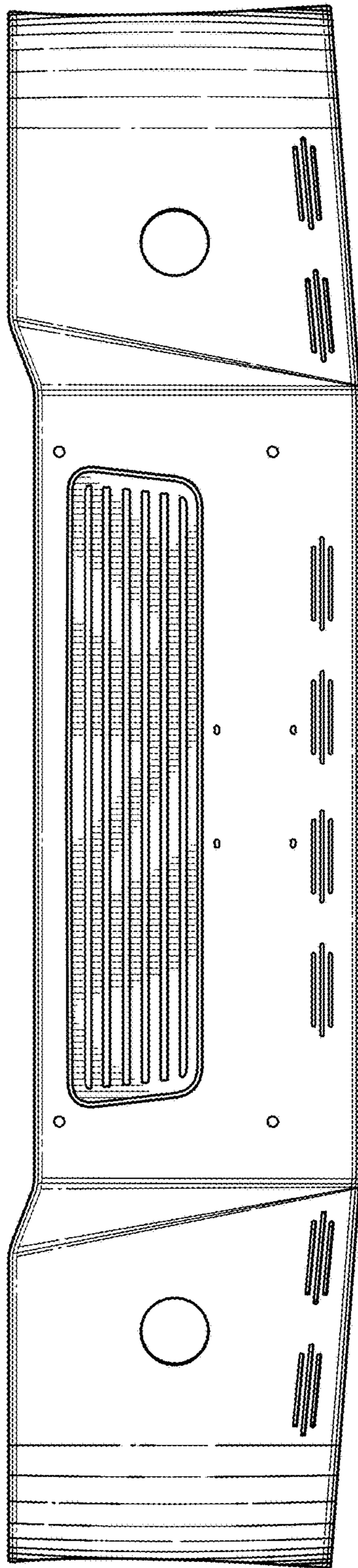
U.S. PATENT DOCUMENTS

2017/0080885 A1\* 3/2017 Swamidass ..... B60R 19/445  
2017/0182948 A1\* 6/2017 Cunagin ..... B60R 9/06  
2017/0203708 A1\* 7/2017 Jaradi ..... B60R 19/18  
2017/0233010 A1\* 8/2017 Sytsma ..... B60K 11/08  
296/187.09

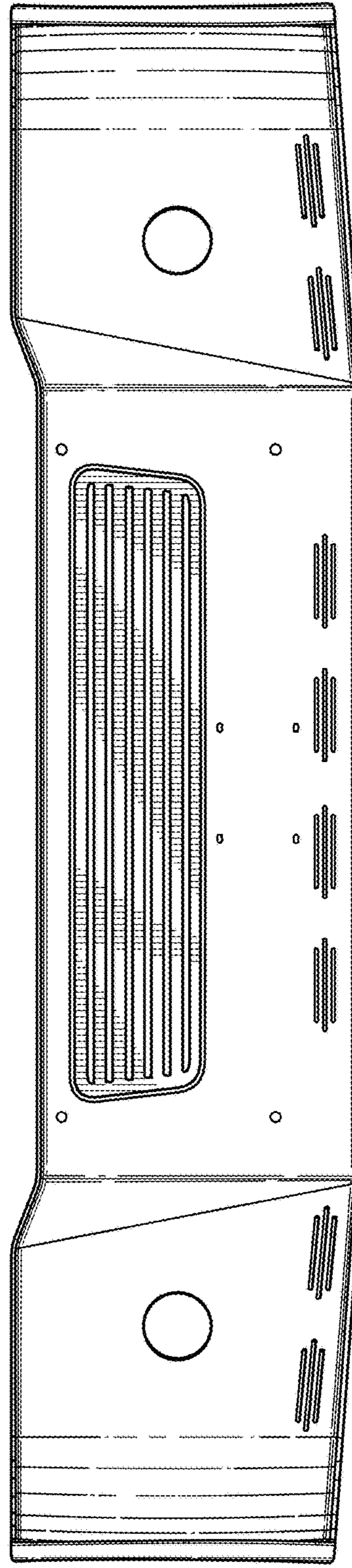
\* cited by examiner



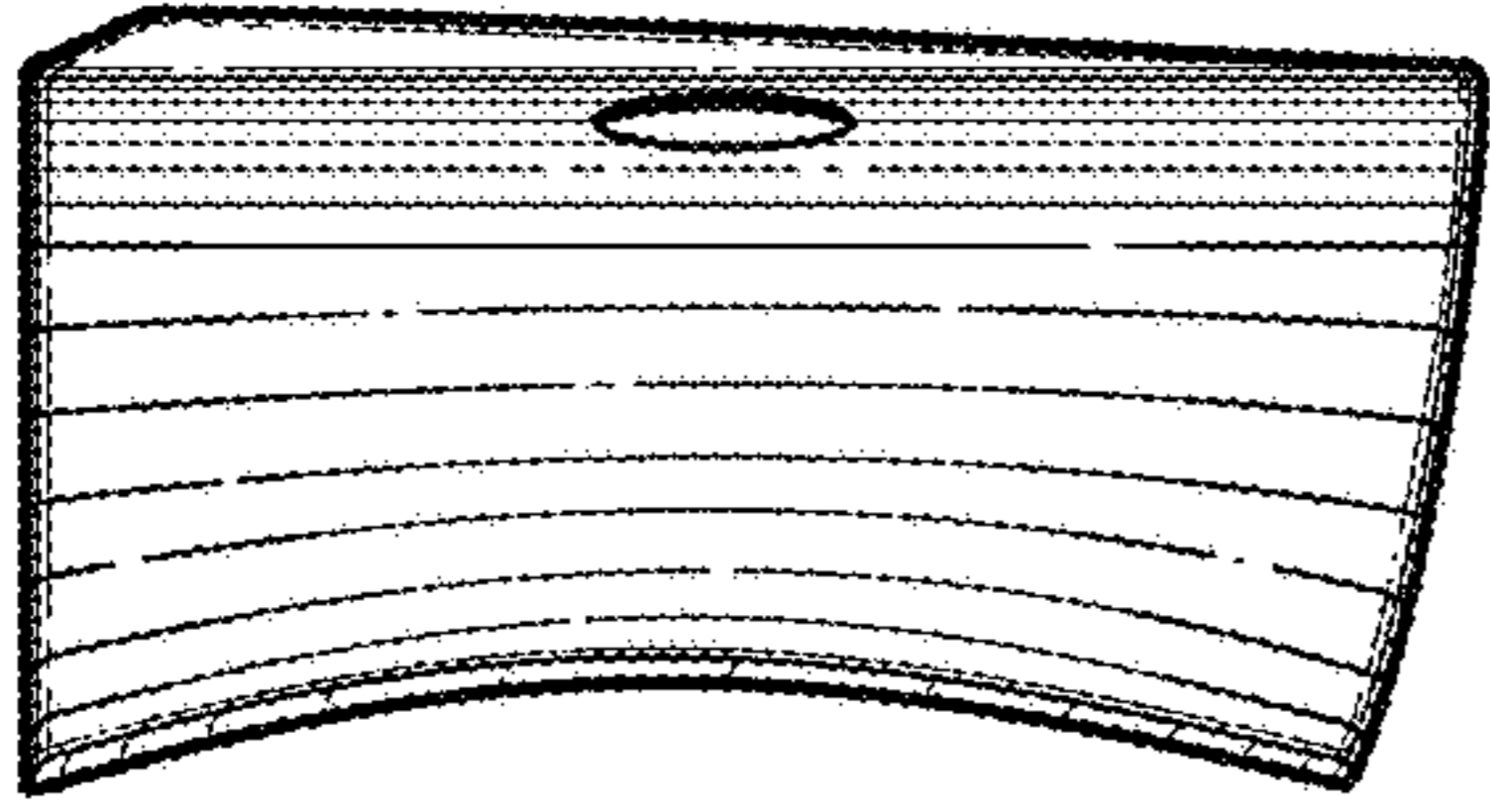
*Fig. 1*



*Fig. 2*



*Fig. 3*



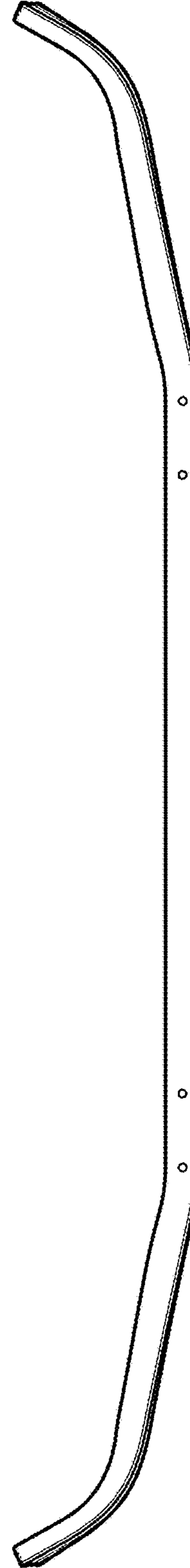
*Fig. 4*



*Fig. 5*



*Fig. 6*



*Fig. 7*