



US00D805442S

(12) **United States Design Patent** (10) **Patent No.:** **US D805,442 S**
Gillam et al. (45) **Date of Patent:** **** Dec. 19, 2017**

(54) **AUTOMOBILE LOWER FRONT BUMPER**

(71) Applicants: **Michael C Gillam**, Addison Township, MI (US); **Gregory A Howell**, Farmington, MI (US); **Joseph S Dehner**, Bloomfield Hills, MI (US)

(72) Inventors: **Michael C Gillam**, Addison Township, MI (US); **Gregory A Howell**, Farmington, MI (US); **Joseph S Dehner**, Bloomfield Hills, MI (US)

(73) Assignee: **FCA US LLC**, Auburn Hills, MI (US)

(**) Term: **15 Years**

(21) Appl. No.: **29/553,487**

(22) Filed: **Feb. 2, 2016**

Related U.S. Application Data

(63) Continuation-in-part of application No. 29/513,952, filed on Jan. 7, 2015, now Pat. No. Des. 755,082.

(51) **LOC (10) Cl.** **12-16**

(52) **U.S. Cl.**
USPC **D12/169**

(58) **Field of Classification Search**
USPC D12/169, 216, 90-92, 86, 171, 196, 163, D12/172; 293/102, 113, 115, 117, 120; 296/180.1, 180.2
CPC B60R 19/02; B60R 19/04; B62D 25/08
See application file for complete search history.

(56) **References Cited**

U.S. PATENT DOCUMENTS

D454,098 S * 3/2002 McGuiness D12/171
D455,988 S * 4/2002 McGuiness D12/171

D727,211 S * 4/2015 Rugar D12/91
D727,221 S * 4/2015 Rugar D12/163
D749,474 S * 2/2016 Battams D12/169
D753,557 S * 4/2016 Frascella D12/169
D755,082 S * 5/2016 Gillam D12/98
D755,083 S * 5/2016 Gillam D12/98
D759,544 S * 6/2016 Chung D12/98
D760,133 S * 6/2016 Bennett D12/171
D782,374 S * 3/2017 Wheel D12/169
D782,944 S * 4/2017 Pevovar D12/163
D786,747 S * 5/2017 Woolley D12/169
D787,386 S * 5/2017 Chang D12/169

* cited by examiner

Primary Examiner — Melody N Brown

(74) *Attorney, Agent, or Firm* — Ralph E. Smith

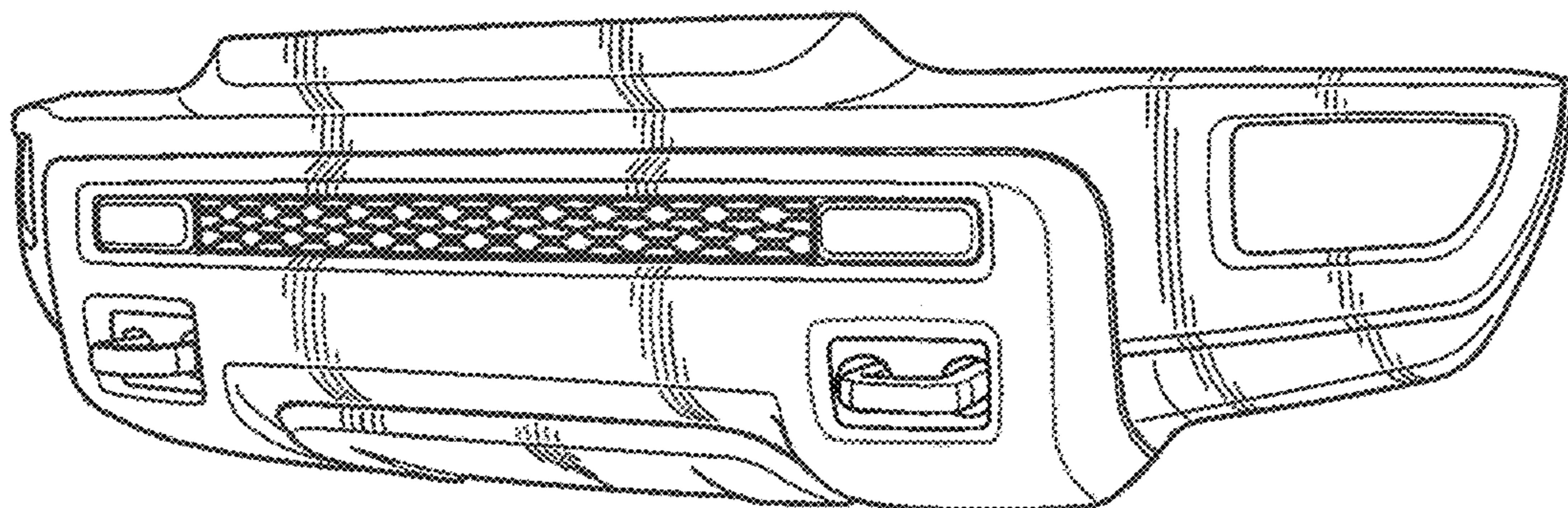
(57) **CLAIM**

The ornamental design for an automobile lower front bumper, as shown and described.

DESCRIPTION

FIG. 1 is a front perspective view of an automobile lower front bumper showing our new design on an automobile; FIG. 2 is a rear perspective view thereof; FIG. 3 is a side elevational view thereof; FIG. 4 is an opposite side elevational view thereof; FIG. 5 is an enlarged front elevational view thereof; FIG. 6 is an enlarged perspective view thereof; FIG. 7 is another enlarged front elevational view thereof; FIG. 8 is an enlarged side elevational view thereof; FIG. 9 is an enlarged top plan view thereof; and, FIG. 10 is an enlarged rear elevational view thereof. It will be understood that the broken lines shown in the drawings illustrate portions of the automobile lower front bumper that form no part of claimed design.

1 Claim, 6 Drawing Sheets



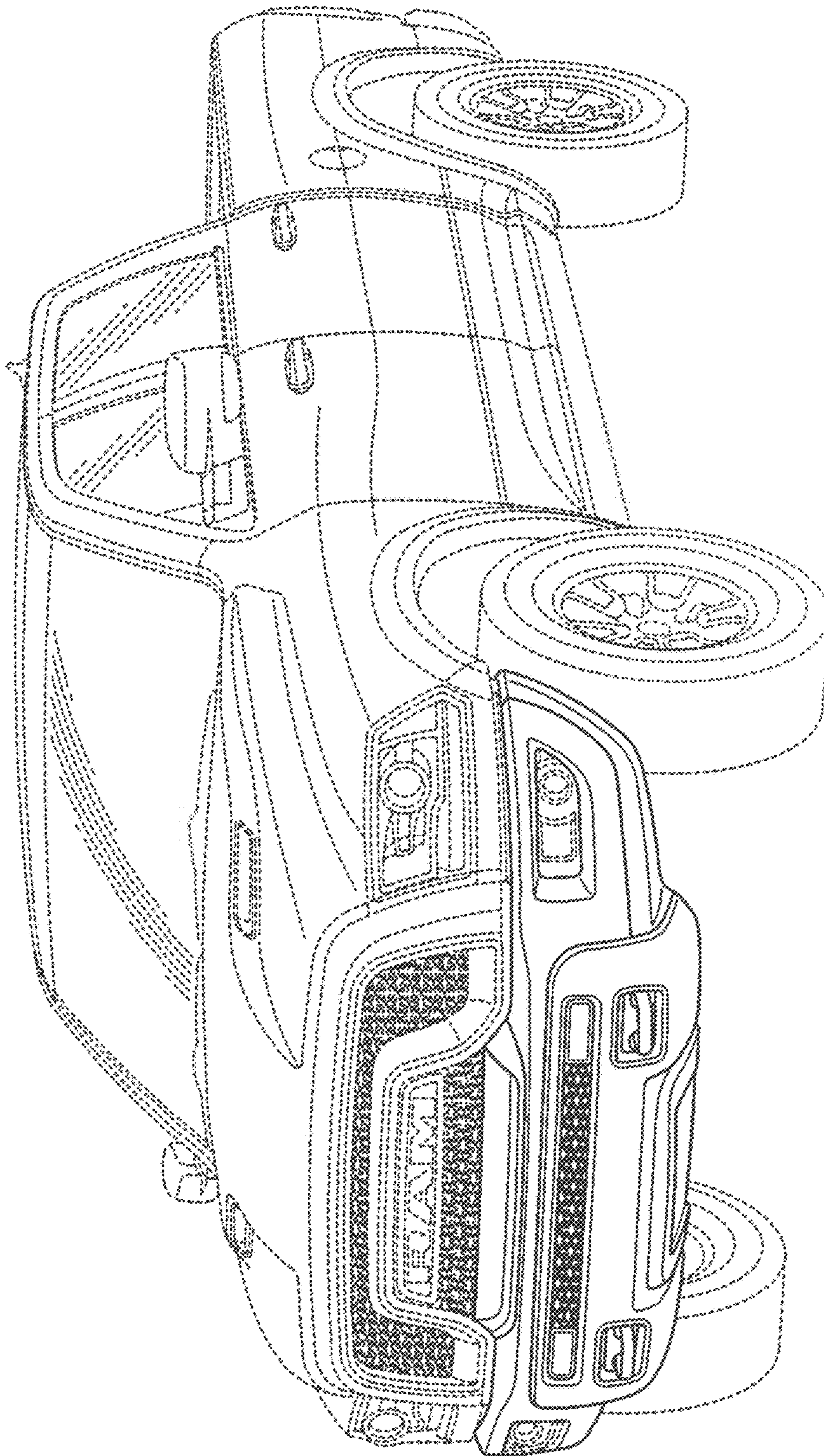


FIG. 1

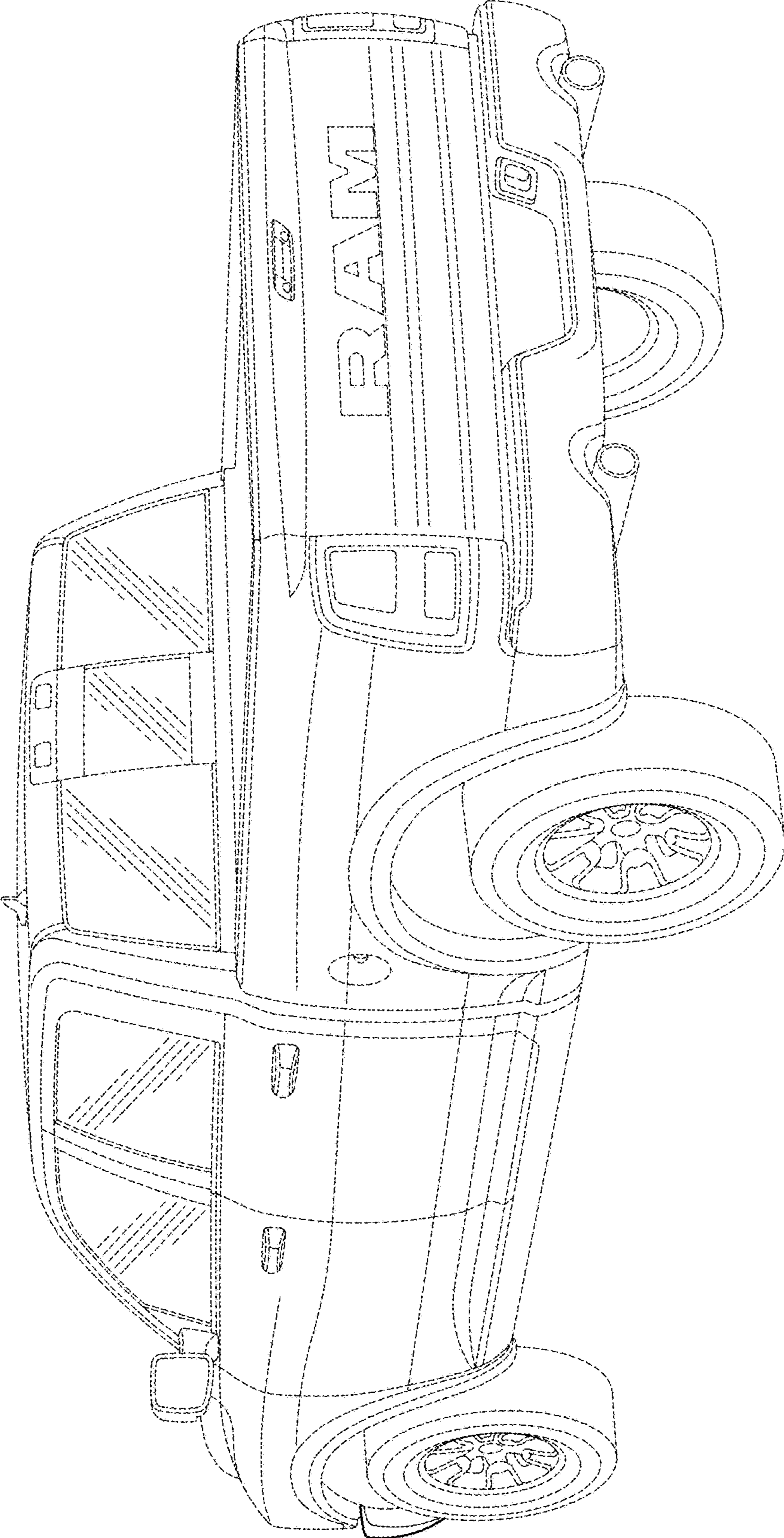


FIG. 2

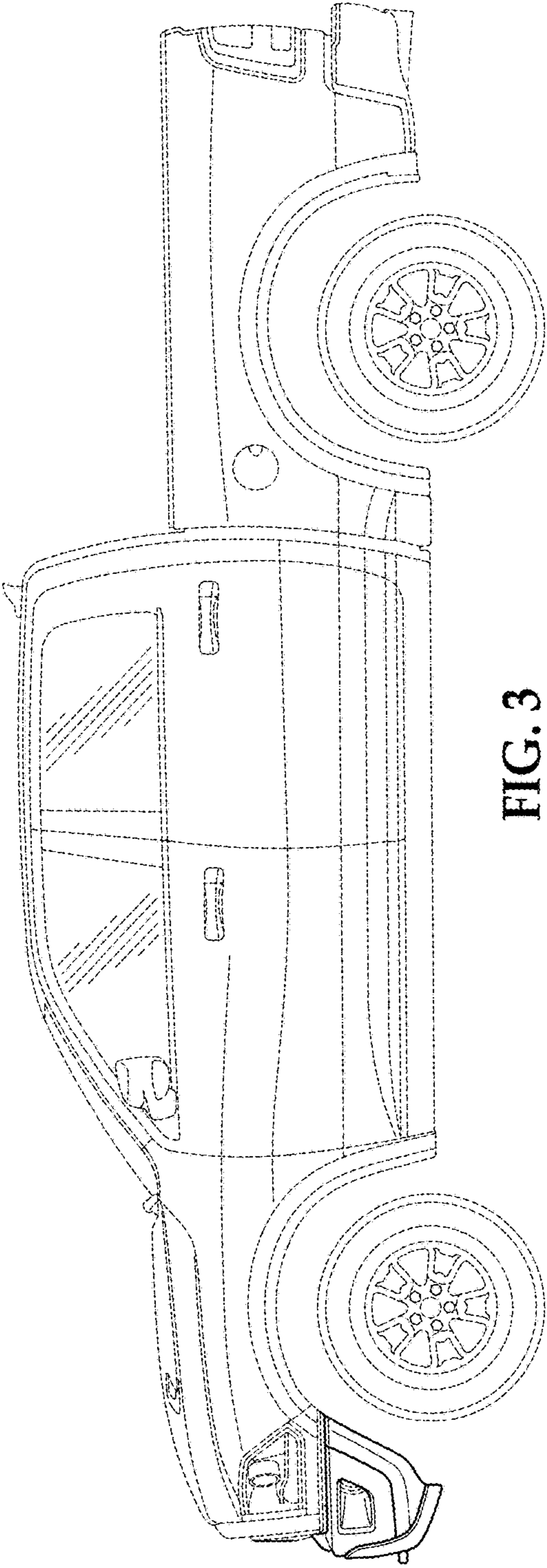


FIG. 3

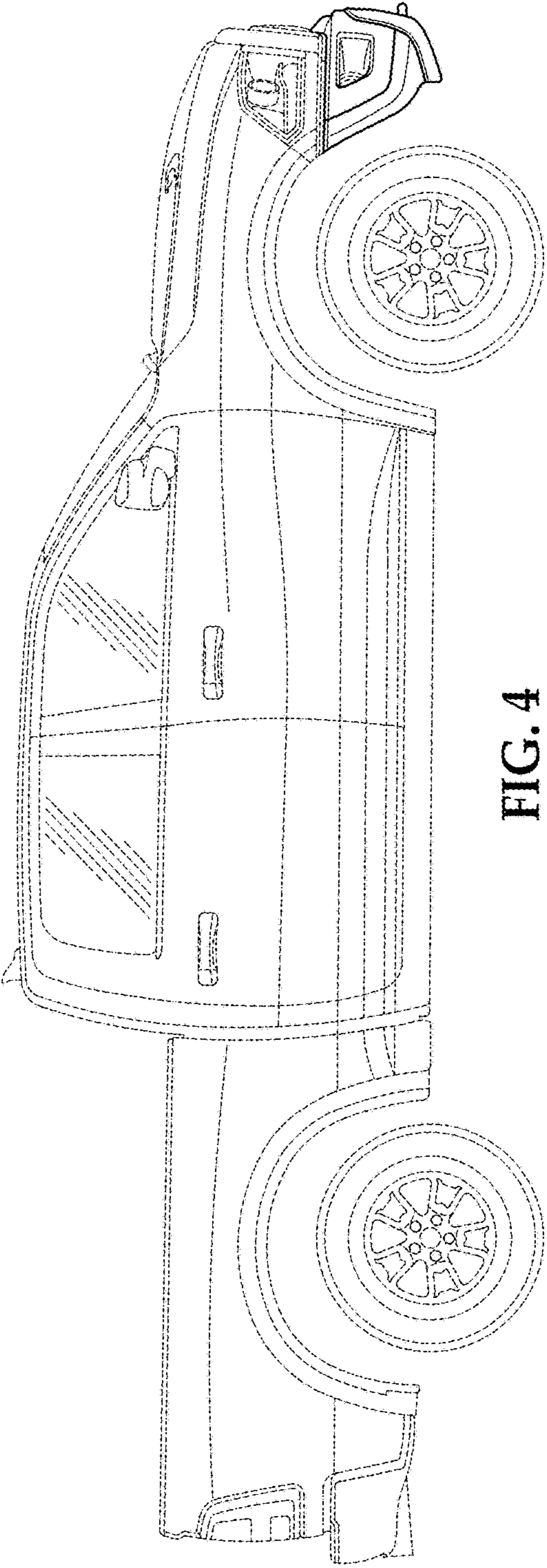


FIG. 4

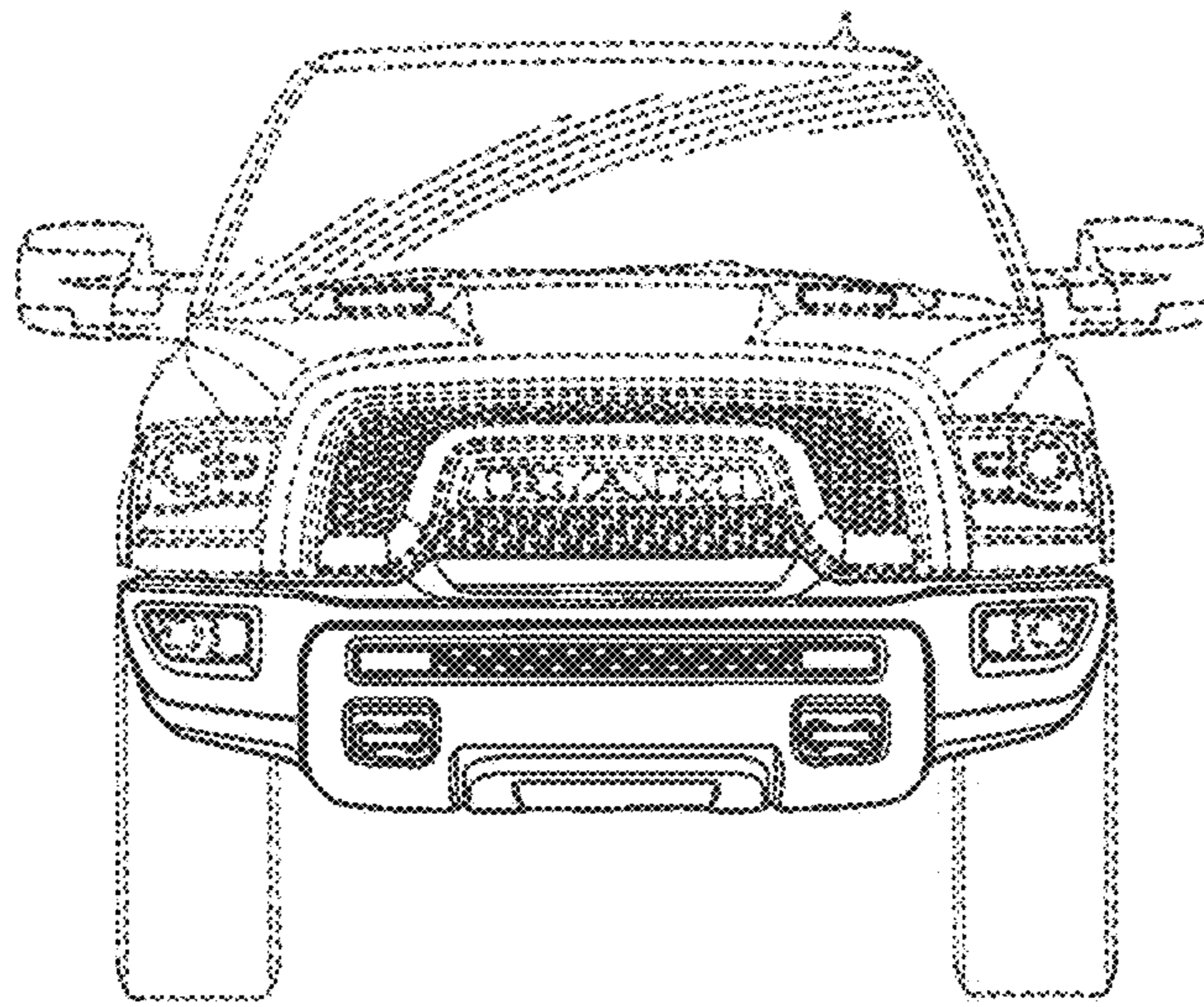


FIG. 5

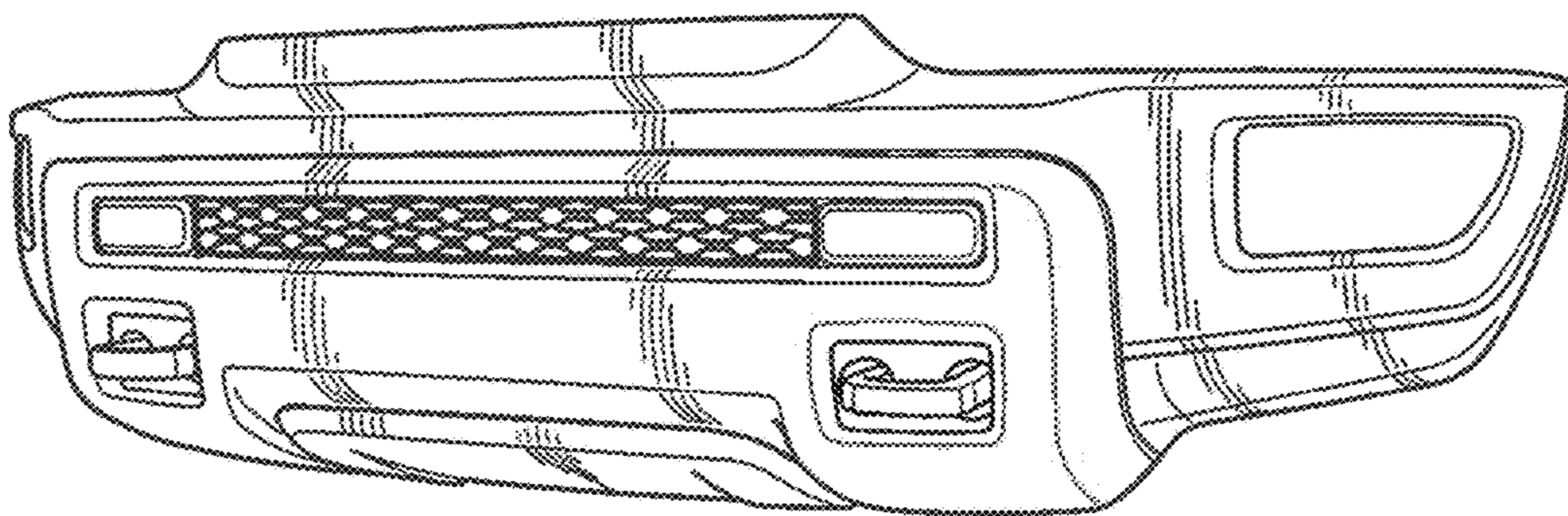


FIG. 6

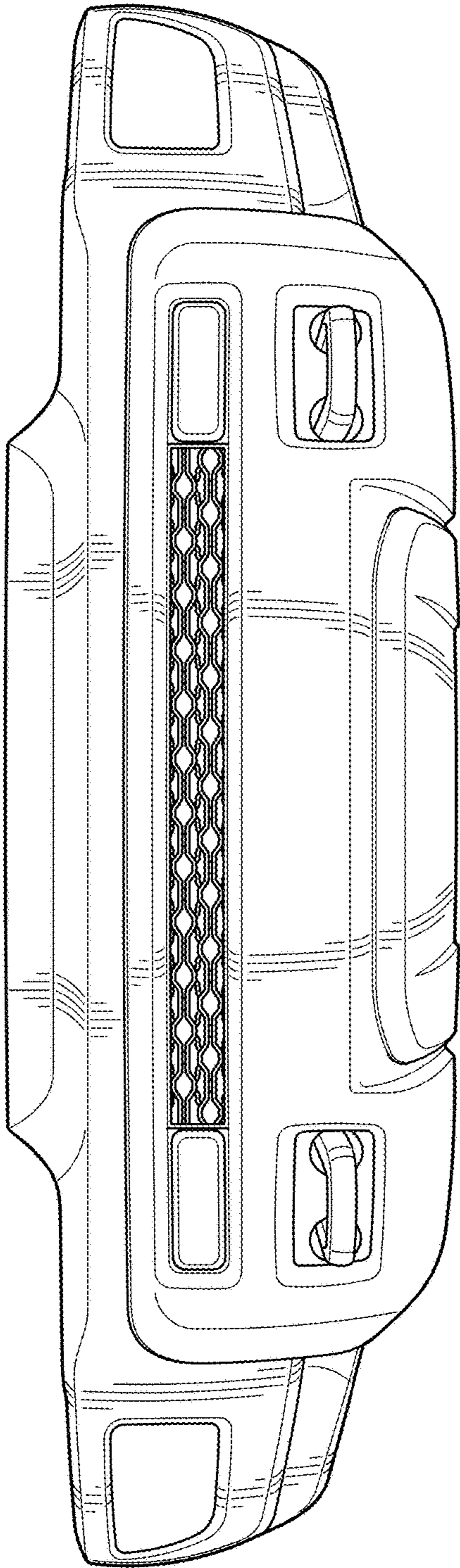


FIG. 7

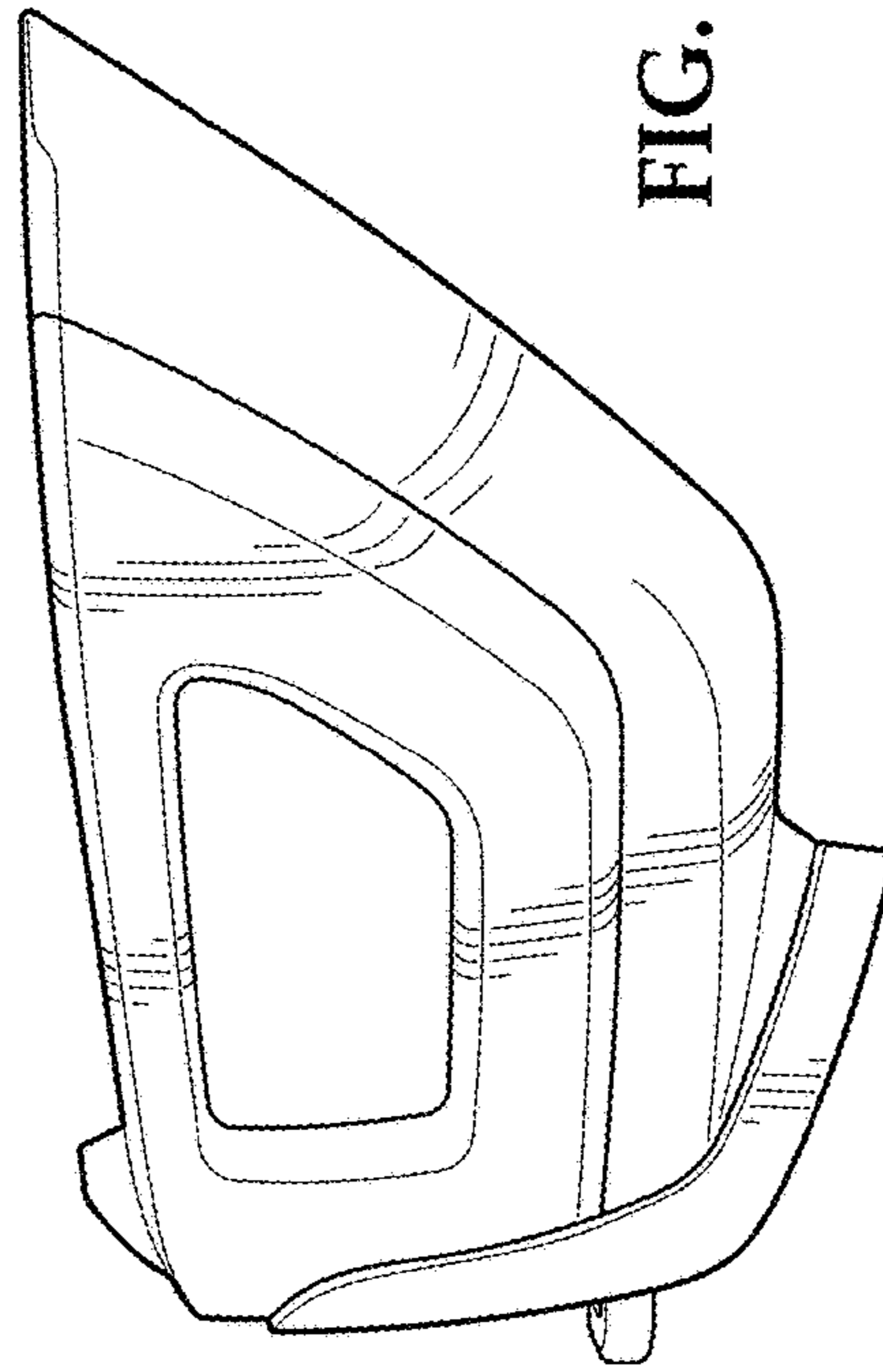


FIG. 8

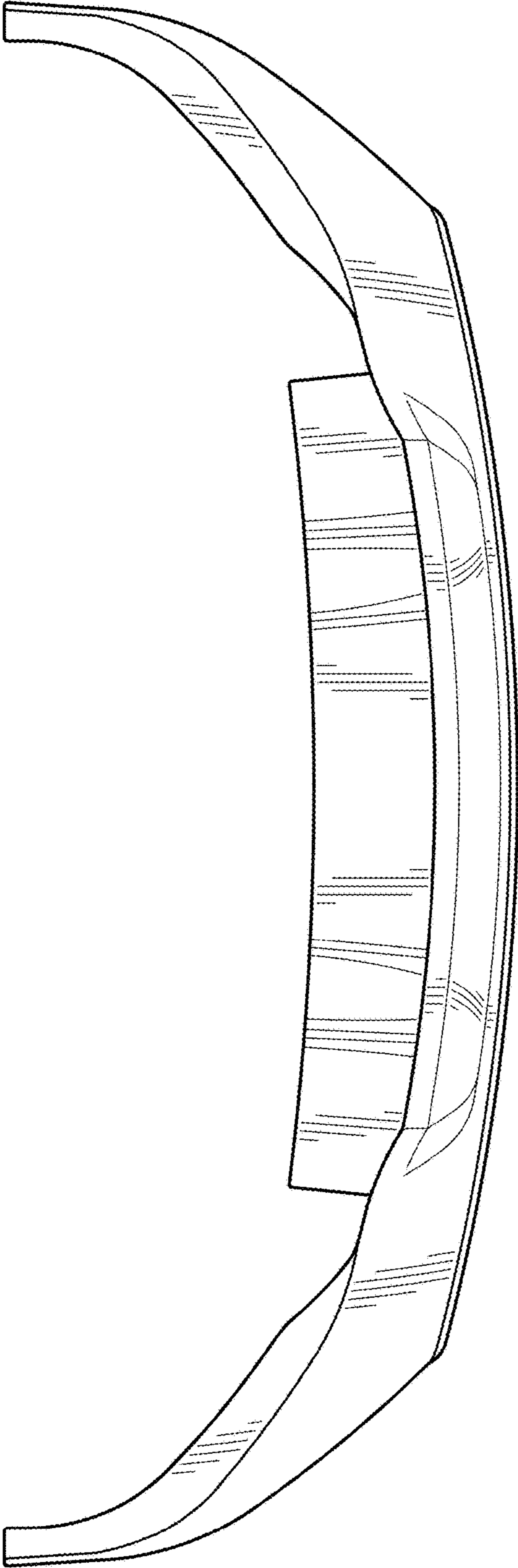


FIG. 9

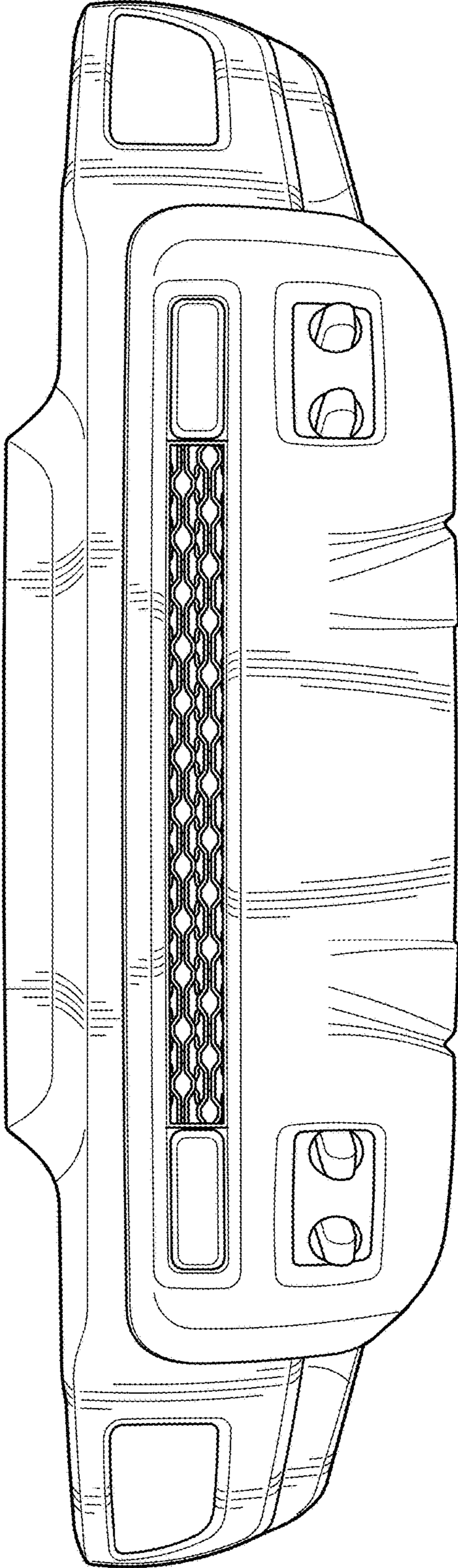


FIG. 10