



US00D805441S

(12) **United States Design Patent** (10) **Patent No.:** **US D805,441 S**
Karras (45) **Date of Patent:** **** Dec. 19, 2017**

(54) **VEHICLE REAR FASCIA**
(71) Applicant: **GM Global Technology Operations LLC, Detroit, MI (US)**
(72) Inventor: **Panayiotis J. Karras, Rochester, MI (US)**
(73) Assignee: **GM Global Technology Operations LLC, Detroit, MI (US)**

D605,978 S 12/2009 Wolff et al.
D608,249 S 1/2010 Peters
D608,690 S 1/2010 Folden et al.
D608,691 S 1/2010 Zak, Jr. et al.
D609,608 S 2/2010 Boniface et al.
D611,387 S 3/2010 Thompson et al.
D611,879 S 3/2010 Kim et al.
D612,297 S 3/2010 Peters et al.
D613,645 S 4/2010 Song et al.
D615,009 S * 5/2010 Schell D12/169
(Continued)

(**) Term: **15 Years**

OTHER PUBLICATIONS

(21) Appl. No.: **29/539,721**
(22) Filed: **Sep. 17, 2015**
(51) **LOC (10) Cl.** **12-08**
(52) **U.S. Cl.**
USPC **D12/169**
(58) **Field of Classification Search**
USPC D12/86-92, 163-172; 293/102-155;
296/35.2, 193.09, 193.1, 203.02
CPC B60R 19/02; B60R 19/023; B60R 19/18;
B60R 19/24; B60R 19/44; B60R 19/48;
B60R 19/56; B60R 2019/527; B60R
2019/1886
See application file for complete search history.

“CT6: The Prestige Sedan Has Been Reinvented.” auto-brochures.com. Feb. 29, 2016. Accessed Aug. 16, 2016. Available online at URL: <http://www.auto-brochures.com/makes/Cadillac/CT6/Cadillac_US%20CT6-Sedan_2016.pdf>.*
(Continued)

Primary Examiner — Cathron Brooks
Assistant Examiner — Christian P McLean
(74) *Attorney, Agent, or Firm* — Reising Ethington P.C.

(57) **CLAIM**

The ornamental design for a vehicle rear fascia, as shown and described.

(56) **References Cited**

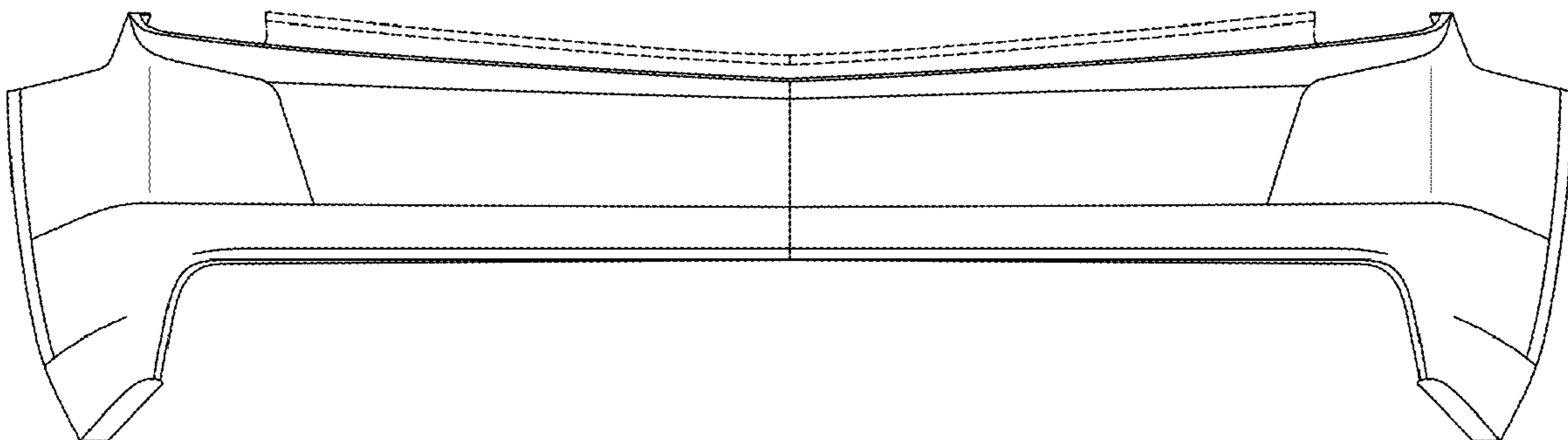
DESCRIPTION

U.S. PATENT DOCUMENTS

D566,017 S * 4/2008 Pfeiffer D12/169
D570,742 S 6/2008 Takagi et al.
D590,308 S * 4/2009 Futschik D12/169
D592,105 S 5/2009 Dean et al.
D597,447 S 8/2009 Folden
D600,595 S 9/2009 Nakamura et al.
D601,925 S 10/2009 O'Donnell
D603,755 S 11/2009 Peters
D604,203 S 11/2009 O'Donnell
D605,082 S 12/2009 Munson
D605,083 S * 12/2009 Manoogian, II D12/86
D605,977 S 12/2009 Zipfel et al.

FIG. 1 is a perspective view of the vehicle rear fascia; FIG. 2 is a left side elevation view thereof; FIG. 3 is a top plan view thereof; and, FIG. 4 is a front view thereof.
The right side elevation view of the vehicle rear fascia is omitted because the right side elevation view is identical to the left side elevation view. And the broken lines shown in the drawings depict portions of the vehicle rear fascia that form no part of the claimed design. Further, the rear of the vehicle rear fascia forms no part of the claimed design.

1 Claim, 2 Drawing Sheets



(56)

References Cited

U.S. PATENT DOCUMENTS

D615,458 S 5/2010 Thompson et al.
 D618,595 S 6/2010 Ware et al.
 D623,090 S 9/2010 Cox et al.
 D627,262 S 11/2010 Ikeda et al.
 D635,488 S 4/2011 Phipps
 D640,613 S * 6/2011 Bauer D12/169
 D640,616 S * 6/2011 Schell D12/169
 D644,147 S 8/2011 Suh et al.
 D644,567 S 9/2011 Kozub
 D647,831 S * 11/2011 Murakawa D12/169
 D650,313 S * 12/2011 Fetherston D12/164
 D651,541 S * 1/2012 Okumoto D12/169
 D657,718 S 4/2012 Zipfel et al.
 D659,052 S 5/2012 Ware et al.
 D659,053 S 5/2012 Ware et al.
 D663,658 S * 7/2012 Karras D12/169
 D664,482 S * 7/2012 Futschik D12/164
 D668,182 S 10/2012 Franco et al.
 D668,183 S 10/2012 Smart
 D674,727 S * 1/2013 Karras D12/92
 D678,820 S 3/2013 Son et al.
 D678,821 S 3/2013 Ikeda et al.
 D680,479 S * 4/2013 Frei D12/169
 D680,909 S * 4/2013 Munson D12/92
 D680,910 S 4/2013 David
 D684,899 S 6/2013 Baker
 D686,536 S 7/2013 McCabe et al.
 D688,174 S * 8/2013 Fetherston D12/164
 D692,798 S 11/2013 Thurber
 D692,799 S 11/2013 Smith et al.
 D696,157 S 12/2013 Loeb
 D699,629 S 2/2014 Ikeda et al.
 D700,871 S 3/2014 O'Donnell et al.
 D703,103 S 4/2014 Lee
 D704,103 S * 5/2014 Mack D12/92
 D704,603 S * 5/2014 Munson D12/169
 D705,132 S 5/2014 Ware et al.
 D705,699 S 5/2014 Ware et al.
 D711,294 S * 8/2014 Karras D12/169
 D711,779 S * 8/2014 Badstuebner D12/91

D713,298 S 9/2014 Dyson
 D713,764 S 9/2014 Ferlazzo
 D716,696 S 11/2014 Thole et al.
 D716,706 S 11/2014 Thole et al.
 D716,709 S 11/2014 Thole et al.
 D717,696 S 11/2014 Thole et al.
 D718,189 S * 11/2014 Krieg D12/92
 D718,683 S 12/2014 Thole et al.
 D722,282 S 2/2015 Loeb
 D722,533 S 2/2015 Thole et al.
 D722,534 S * 2/2015 Munson D12/92
 D723,435 S * 3/2015 Thole D12/169
 D724,510 S 3/2015 McMahan et al.
 D725,001 S 3/2015 McMahan et al.
 D730,776 S 6/2015 Smart
 D730,783 S 6/2015 Henriques et al.
 D732,435 S 6/2015 Mackay
 D733,013 S * 6/2015 Kamiura D12/164
 D733,018 S * 6/2015 McCabe D12/169
 D735,627 S 8/2015 Smith
 D736,451 S 8/2015 Smith
 D749,985 S * 2/2016 Kozub D12/92
 D753,032 S * 4/2016 Smith D12/169
 D753,035 S * 4/2016 Boniface D12/169
 D753,551 S * 4/2016 Gale D12/88
 D764,984 S * 8/2016 Stopka D12/169
 D766,789 S * 9/2016 Kapitonov D12/169
 D773,355 S * 12/2016 Kawaguchi D12/169
 D775,549 S * 1/2017 Karras D12/92
 D776,581 S * 1/2017 Pevovar D12/169
 D778,212 S * 2/2017 Kozub D12/169
 D780,064 S * 2/2017 Smith D12/91
 D789,849 S * 6/2017 Lee D12/169
 D793,924 S * 8/2017 Sagawa D12/169

OTHER PUBLICATIONS

Sorokanich, Robert. "2016 Cadillac CT6: It May Be Big, But You Can't Call it Fat." caranddriver.com. Mar. 2015. Accessed Aug. 16, 2016. Available online at URL: <<http://www.caranddriver.com/news/2016-cadillac-ct6-photos-and-info-news>>.*

* cited by examiner

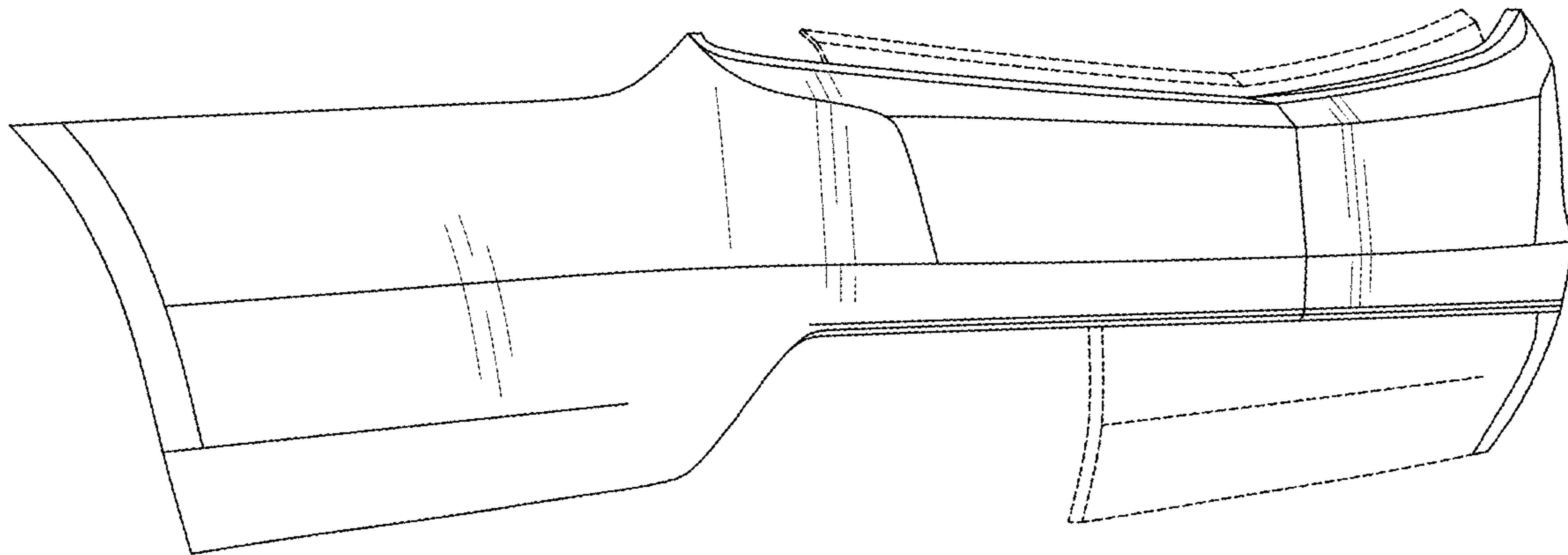


Fig. 1

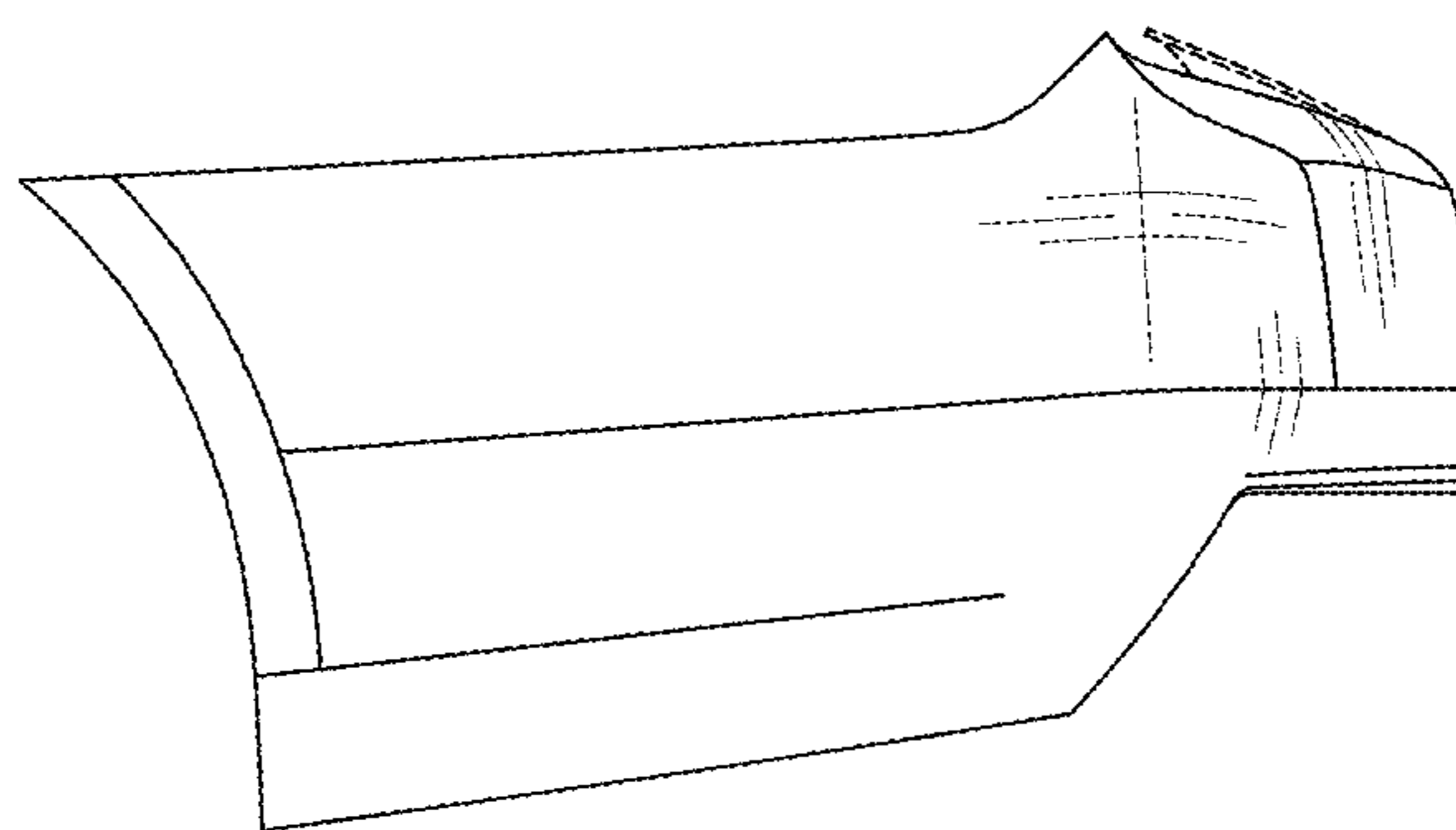


Fig. 2

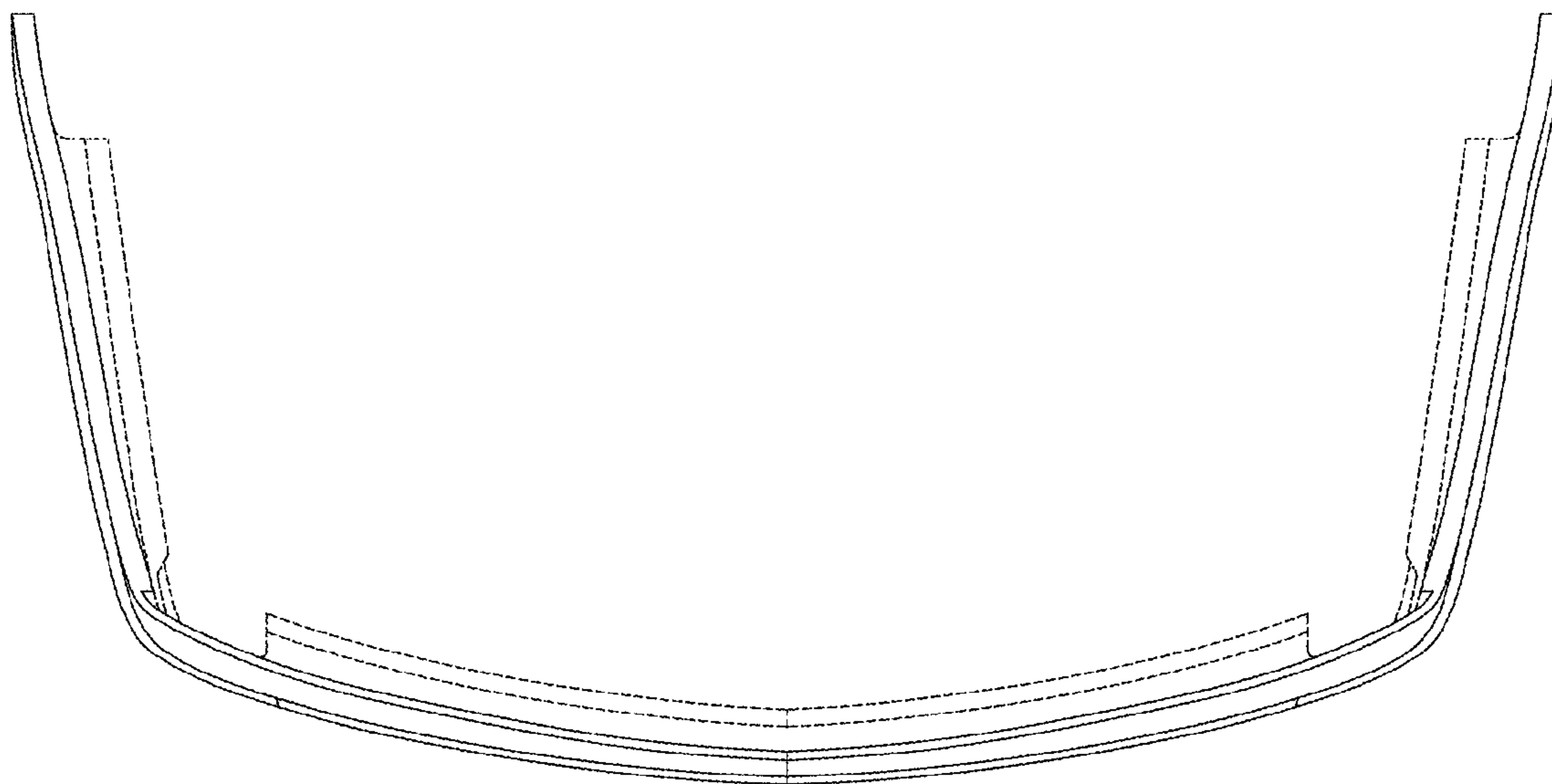


Fig. 3

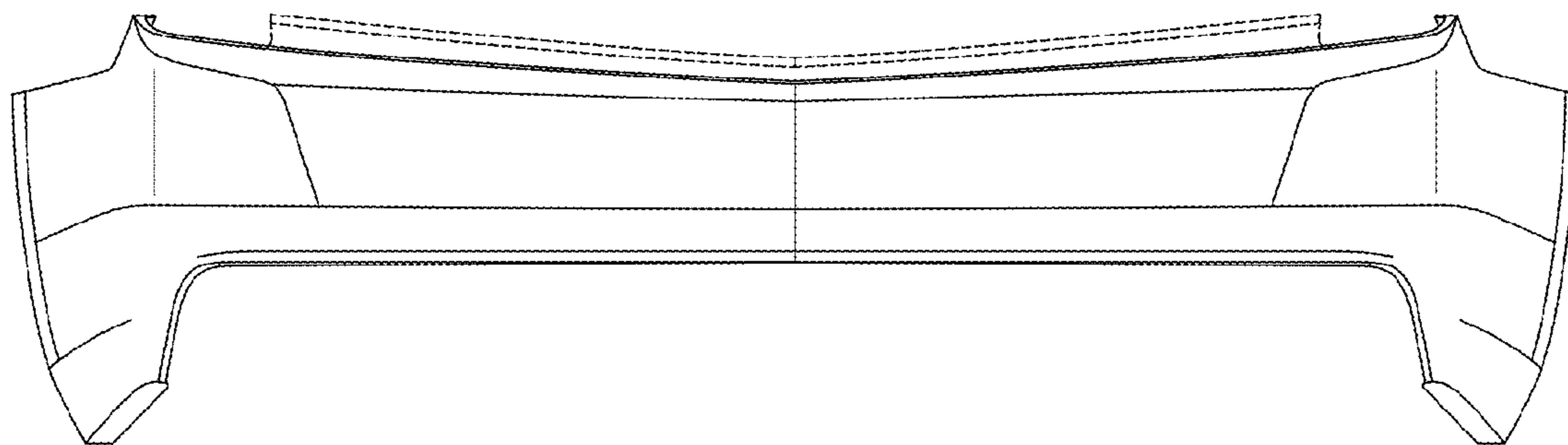


Fig. 4