



US00D805440S

(12) **United States Design Patent** (10) **Patent No.:** **US D805,440 S**
Kavanagh et al. (45) **Date of Patent:** **** Dec. 19, 2017**

(54) **PERSONAL MOBILITY DEVICE**

Primary Examiner — Charles Hanson

(74) *Attorney, Agent, or Firm* — Wiley Rein LLP

(71) Applicant: **EKT LLC**, Brooklyn, NY (US)

(57) **CLAIM**

The ornamental design for a personal mobility device, as shown and described.

(72) Inventors: **Patricia Kavanagh**, Brooklyn, NY (US); **Colin Touhey**, Brooklyn, NY (US); **Henry Ebbott-Burg**, New York, NY (US); **Mario A. Turchi**, Tenafly, NJ (US); **Michael Bambino**, Sunny Side, NY (US); **Robert Joachim**, Glen Rock, NJ (US)

DESCRIPTION

(73) Assignee: **EKT LLC**, Brooklyn, NY (US)

FIG. 1 is a front view of a personal mobility device according to the novel design in an open/unfolded configuration.

(**) Term: **15 Years**

FIG. 2 is a back view of a personal mobility device according to the novel design in an open/unfolded configuration.

(21) Appl. No.: **29/579,580**

FIG. 3 is a left side view of a personal mobility device according to the novel design in an open/unfolded configuration; the right side view is a mirror image of the left side view.

(22) Filed: **Sep. 30, 2016**

FIG. 4 is a top view of a personal mobility device according to the novel design in an open/unfolded configuration.

(51) **LOC (10) Cl.** **12-12**

FIG. 5 is a bottom view of a personal mobility device according to the novel design in an open/unfolded configuration.

(52) **U.S. Cl.**
USPC **D12/130**

FIG. 6 is a perspective view of a personal mobility device according to the novel design in an open/unfolded configuration.

(58) **Field of Classification Search**
USPC D12/128–133

FIG. 7 is a front view of a personal mobility device according to the novel design in a closed/collapsed configuration.

(Continued)

(56) **References Cited**

FIG. 8 is a back view of a personal mobility device according to the novel design in a closed/collapsed configuration.

U.S. PATENT DOCUMENTS

FIG. 9 is a left side view of a personal mobility device according to the novel design in a closed/collapsed configuration; the right side view is a mirror image of the left side view.

5,716,063 A 2/1998 Doyle et al.
7,229,092 B1 6/2007 Parker et al.

(Continued)

FOREIGN PATENT DOCUMENTS

FIG. 10 is a top view of a personal mobility device according to the novel design in a closed/collapsed configuration.

SE 514388 2/2001

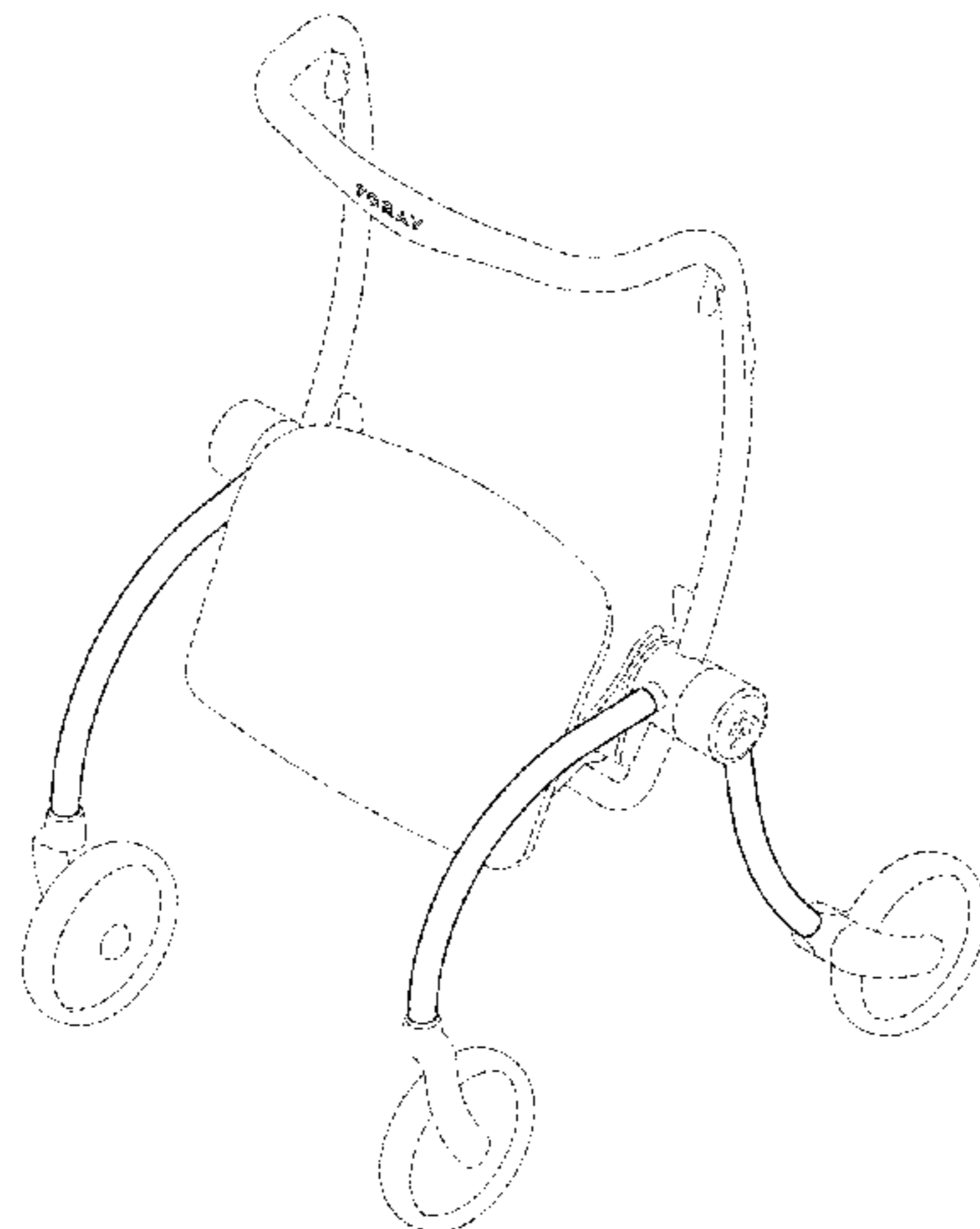
FIG. 11 is a bottom view of a personal mobility device according to the novel design in a closed/collapsed configuration; and,

OTHER PUBLICATIONS

FIG. 12 is a perspective view of a personal mobility device according to the novel design in a closed/collapsed configuration.

International Search Report and Written Opinion for PCT/U52016/054880, dated Dec. 15, 2016.

(Continued)



The broken lines included in the drawings depict elements that are not part of the claimed design.

1 Claim, 12 Drawing Sheets

(58) **Field of Classification Search**

CPC A61H 3/00; A61H 3/04; A61H 2003/001–2003/007; A61H 2003/043; A61H 2003/046

See application file for complete search history.

(56) **References Cited**

U.S. PATENT DOCUMENTS

9,226,868 B2 * 1/2016 Andersen A61H 3/04

D766,139 S * 9/2016 Chen D12/130
2007/0235067 A1 * 10/2007 Gale A61H 3/04
135/67
2007/0283990 A1 * 12/2007 Fernandez A61G 5/08
135/67
2008/0202571 A1 * 8/2008 Meyers A61H 3/04
135/66
2008/0252043 A1 * 10/2008 Willis A61H 3/04
280/639
2012/0205882 A1 * 8/2012 Staggs A61G 5/1002
280/30
2012/0235385 A1 9/2012 Simpson et al.
2013/0292916 A1 * 11/2013 Nabeta A61H 3/04
280/47.371
2014/0084559 A1 * 3/2014 Fang A61H 3/04
280/47.38
2014/0167393 A1 6/2014 Tsai et al.

* cited by examiner

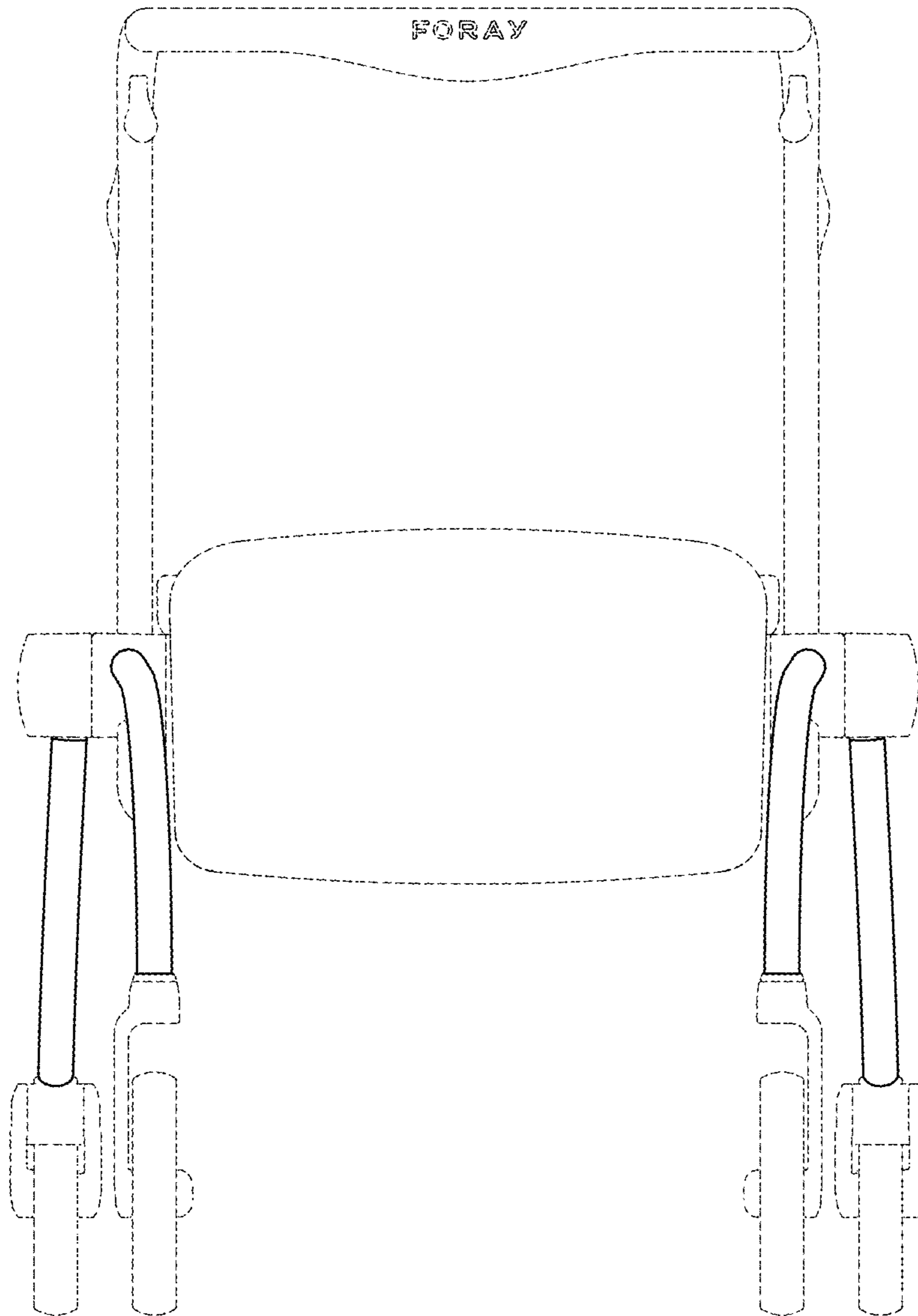


FIG. 1

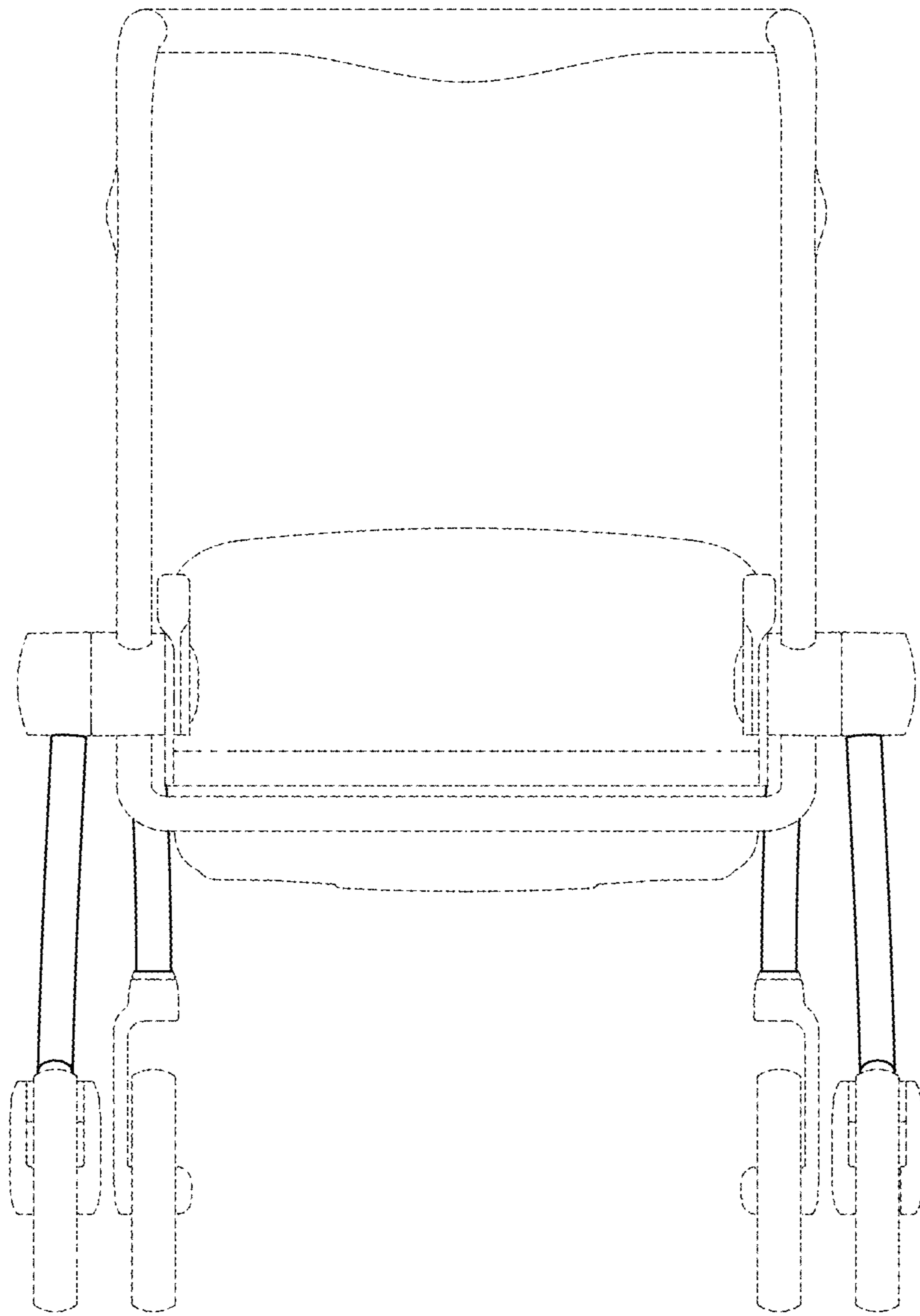


FIG. 2

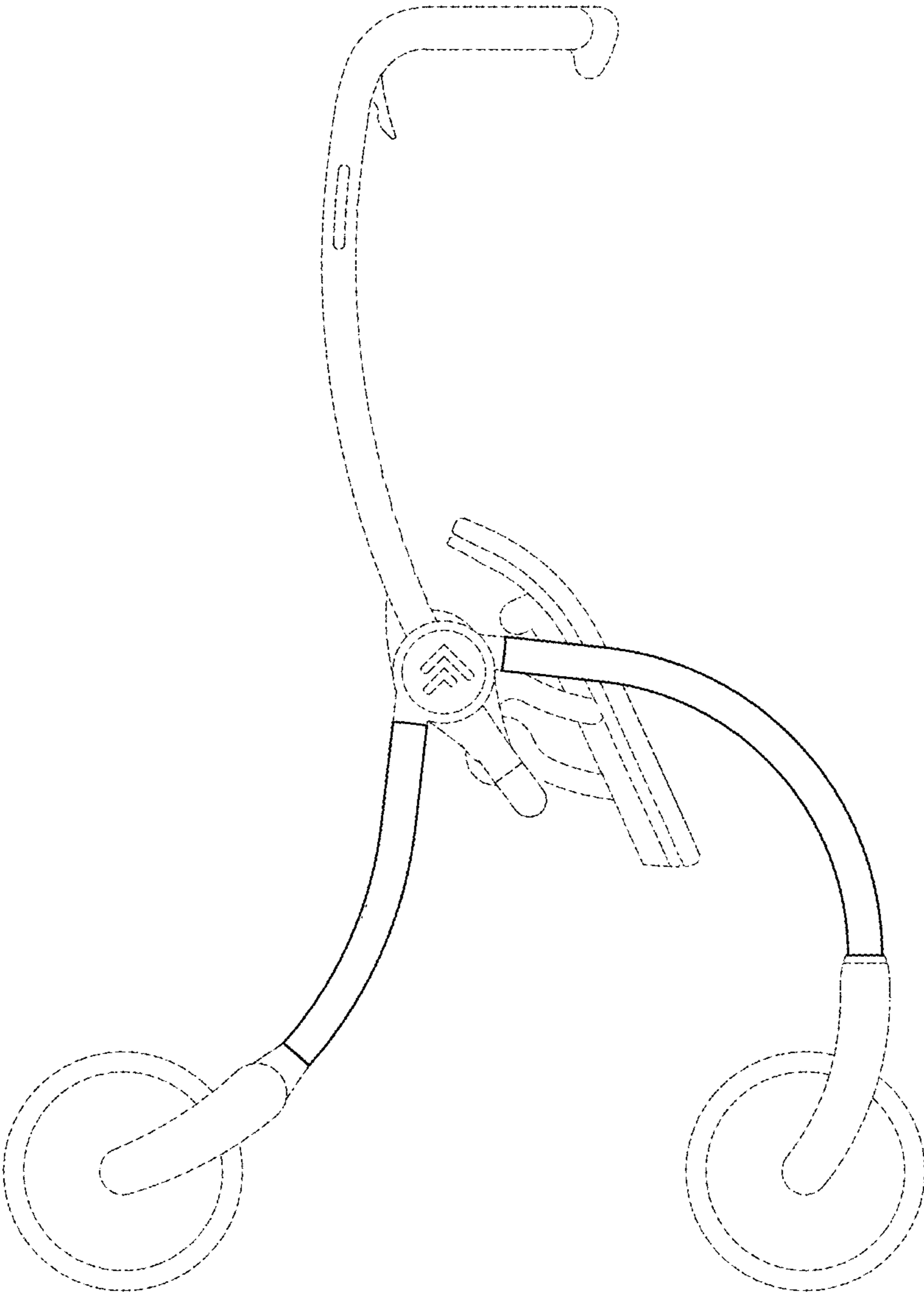


FIG. 3

FIG. 4

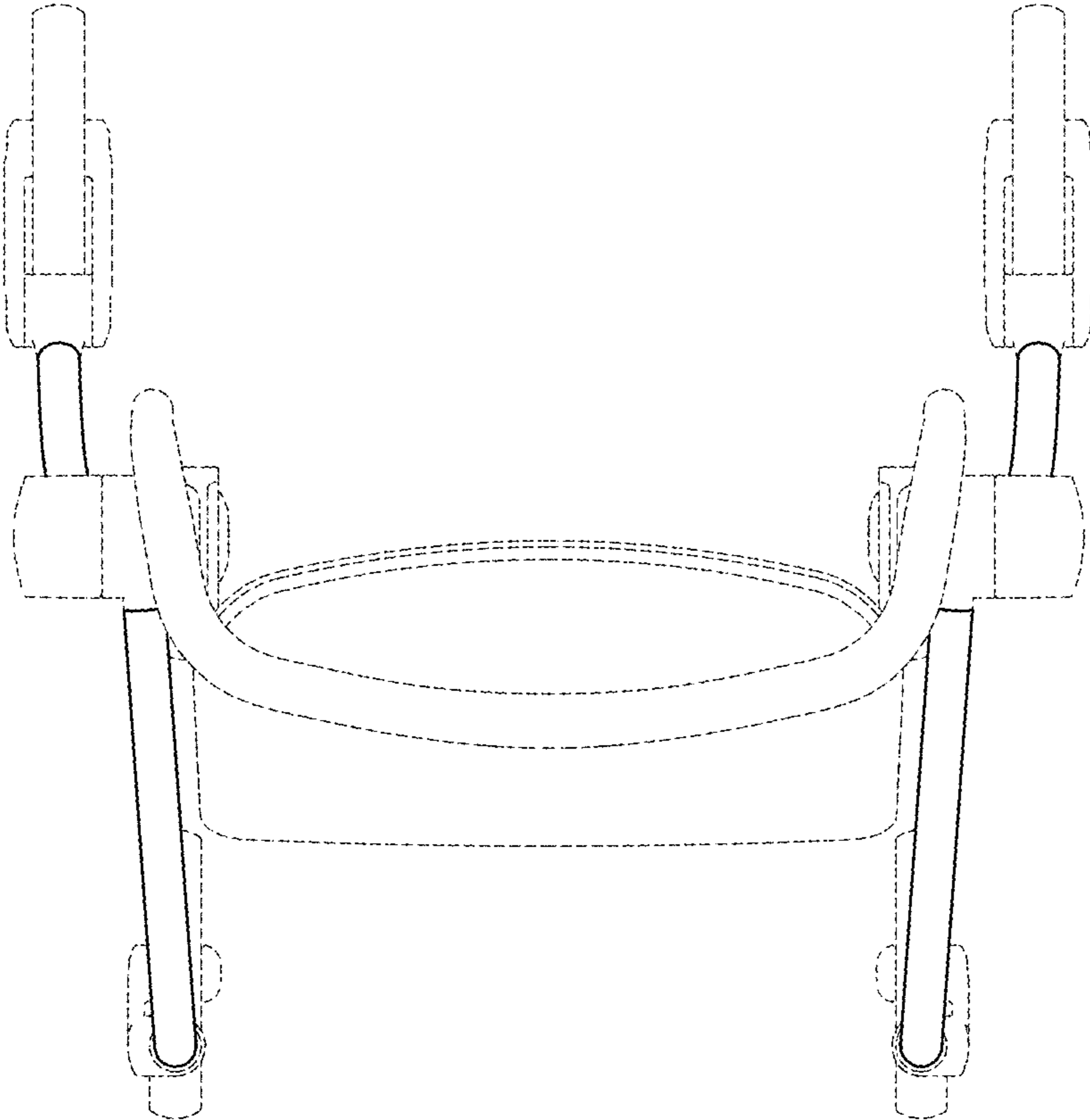


FIG. 5

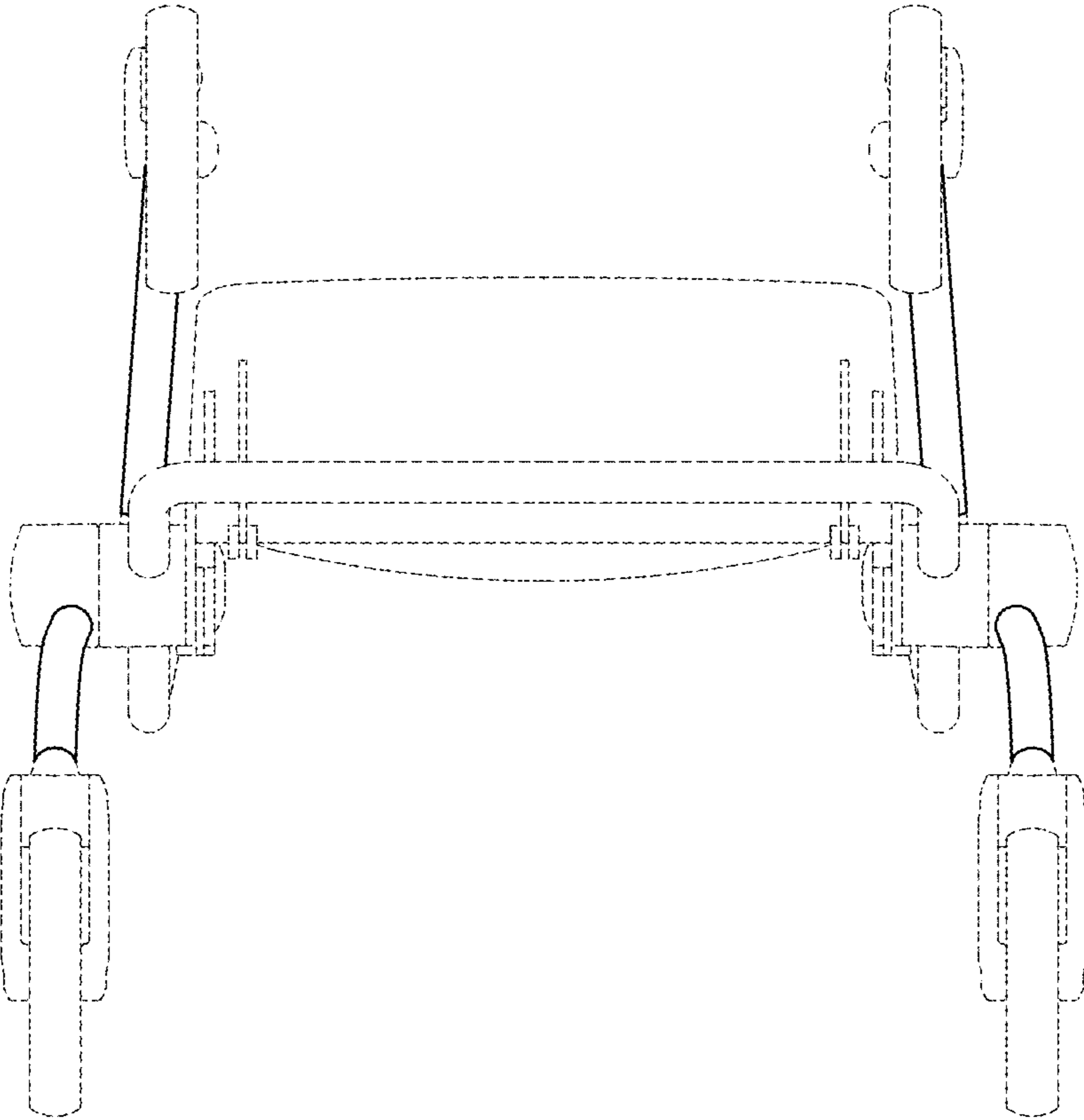


FIG. 6

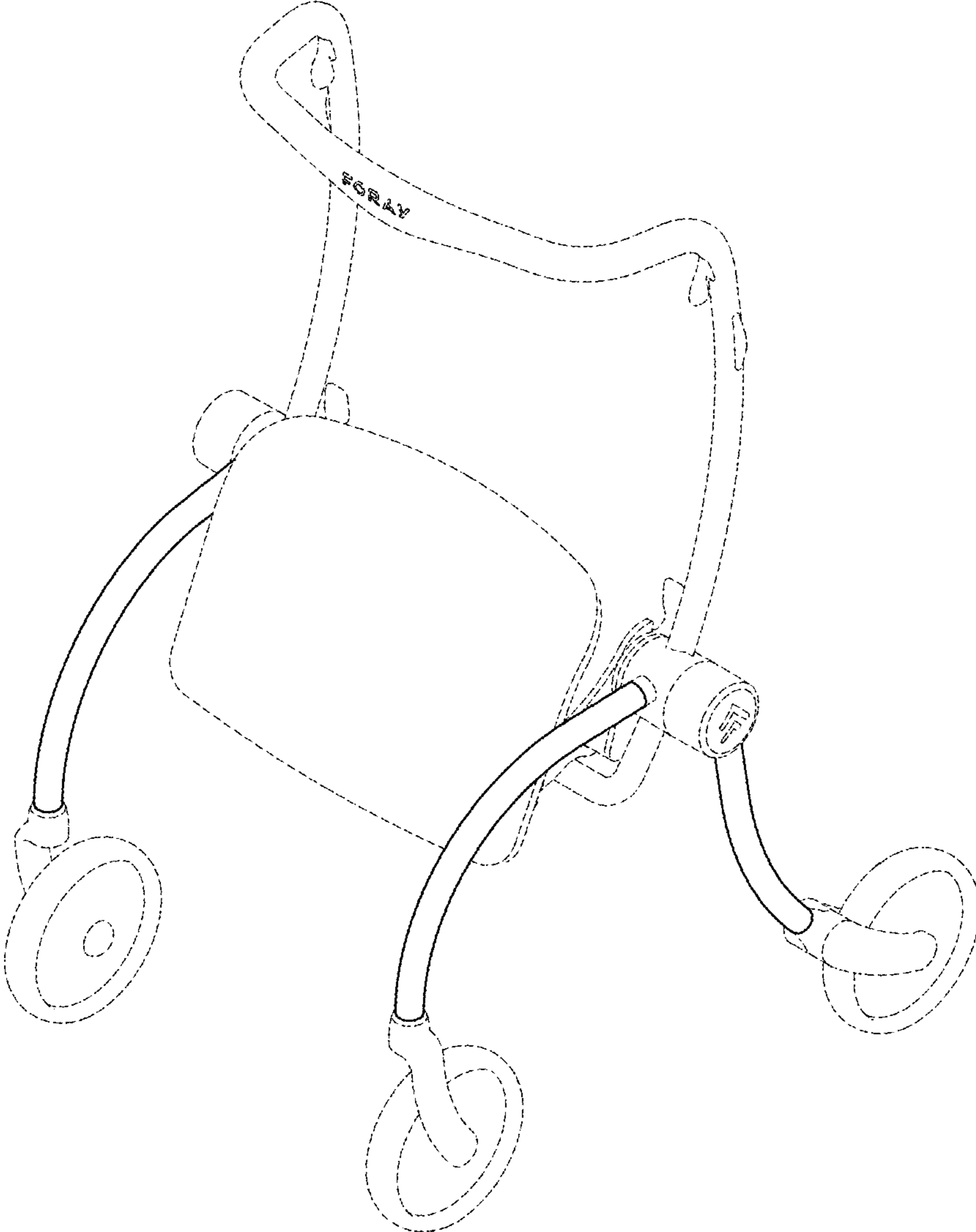


FIG. 7

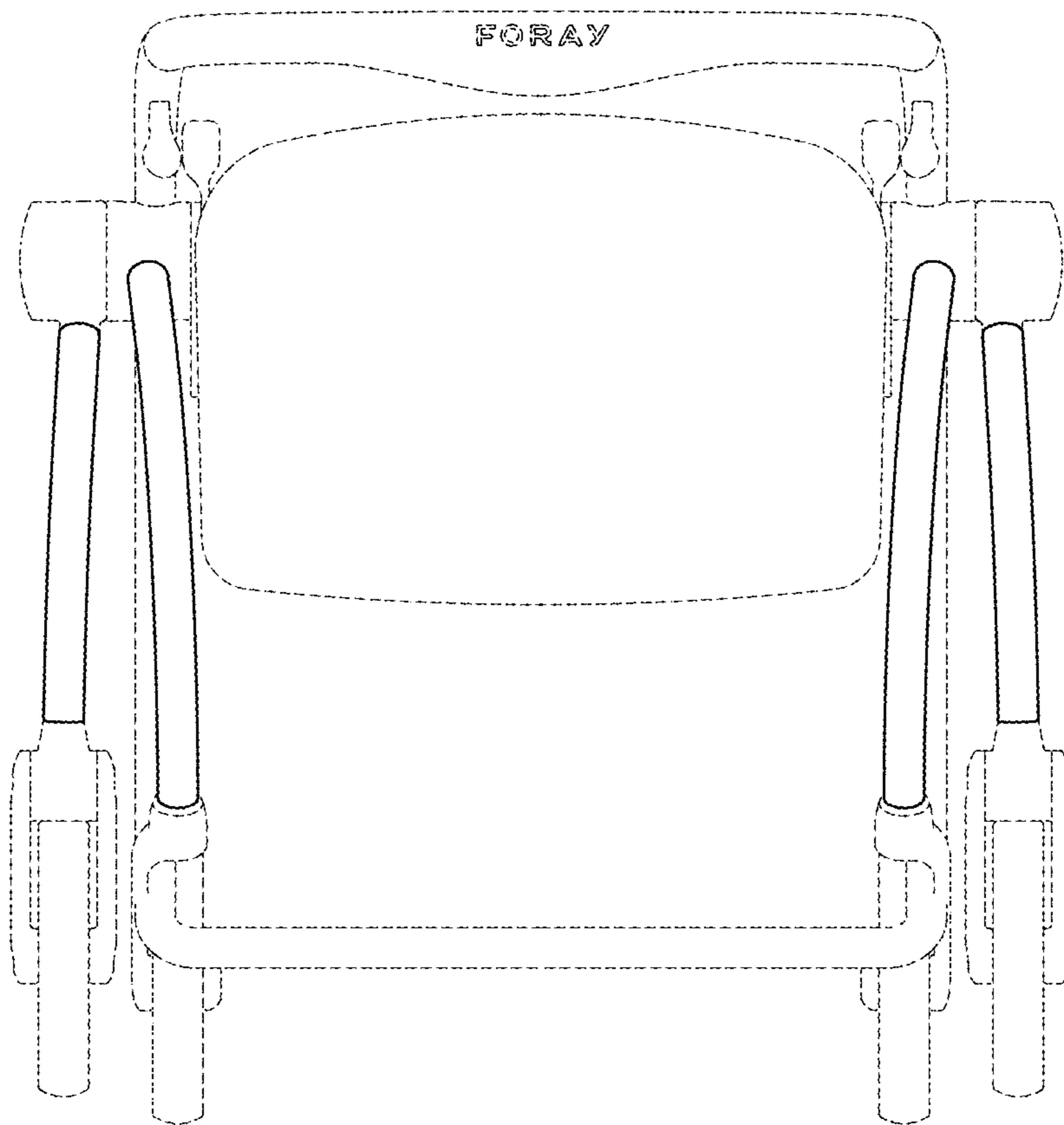


FIG. 8

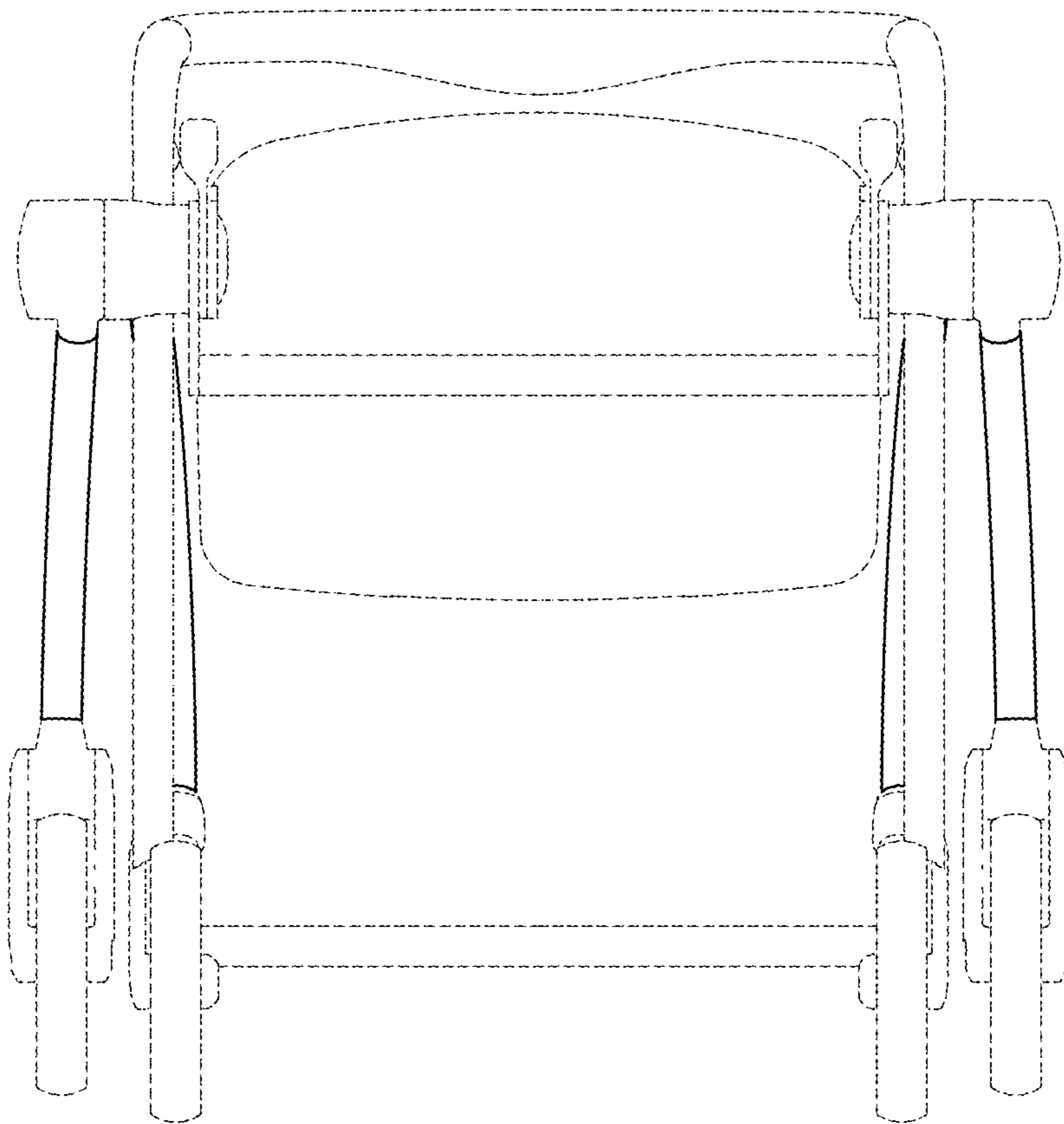


FIG. 9

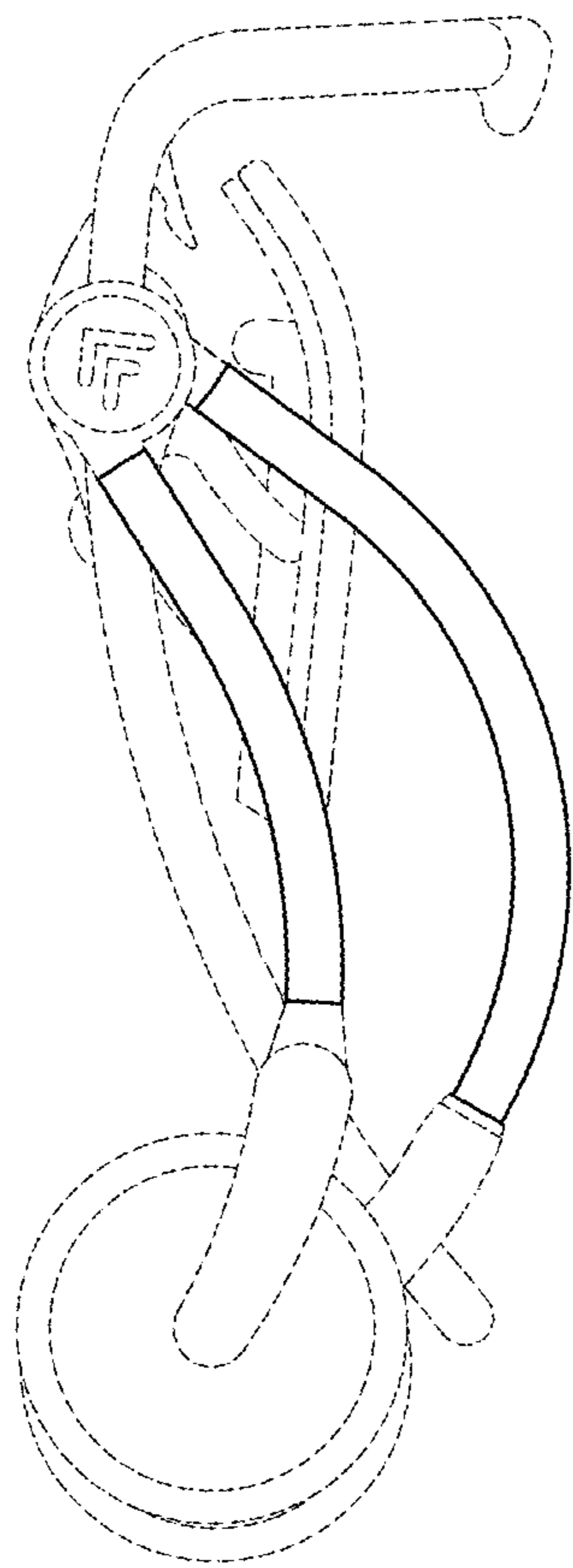


FIG. 10

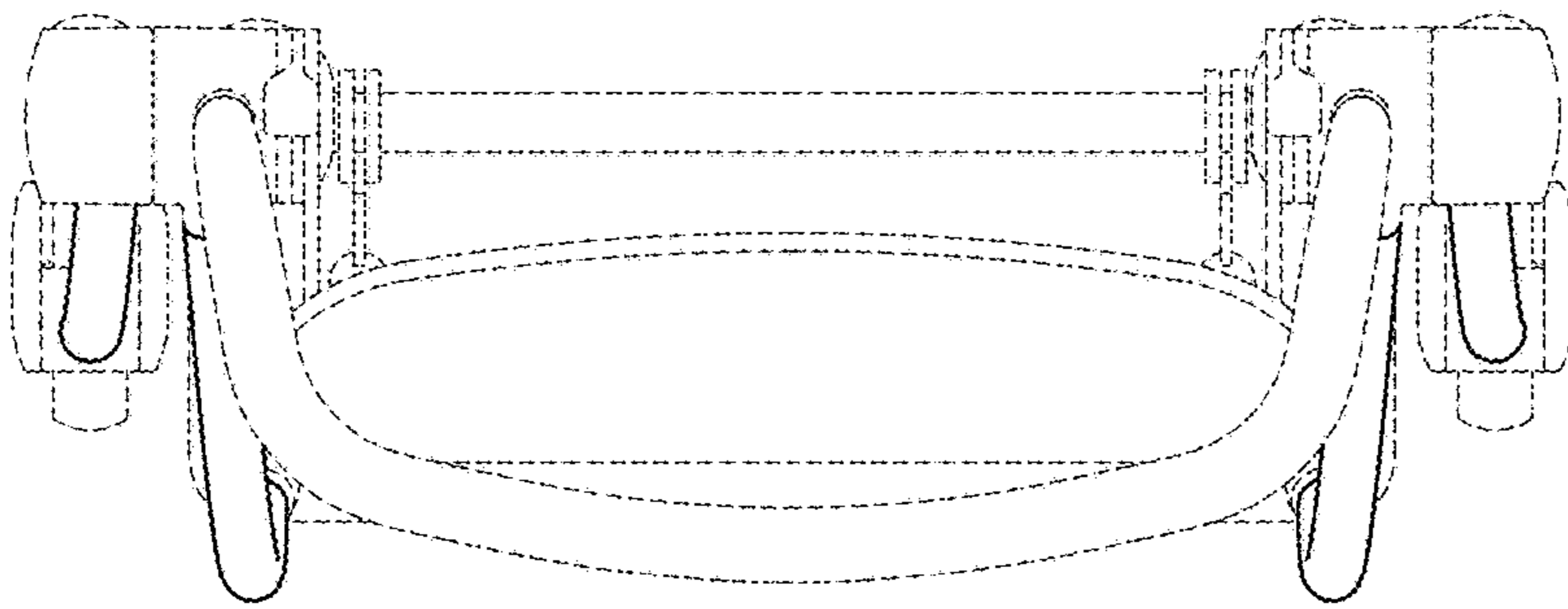


FIG. 11

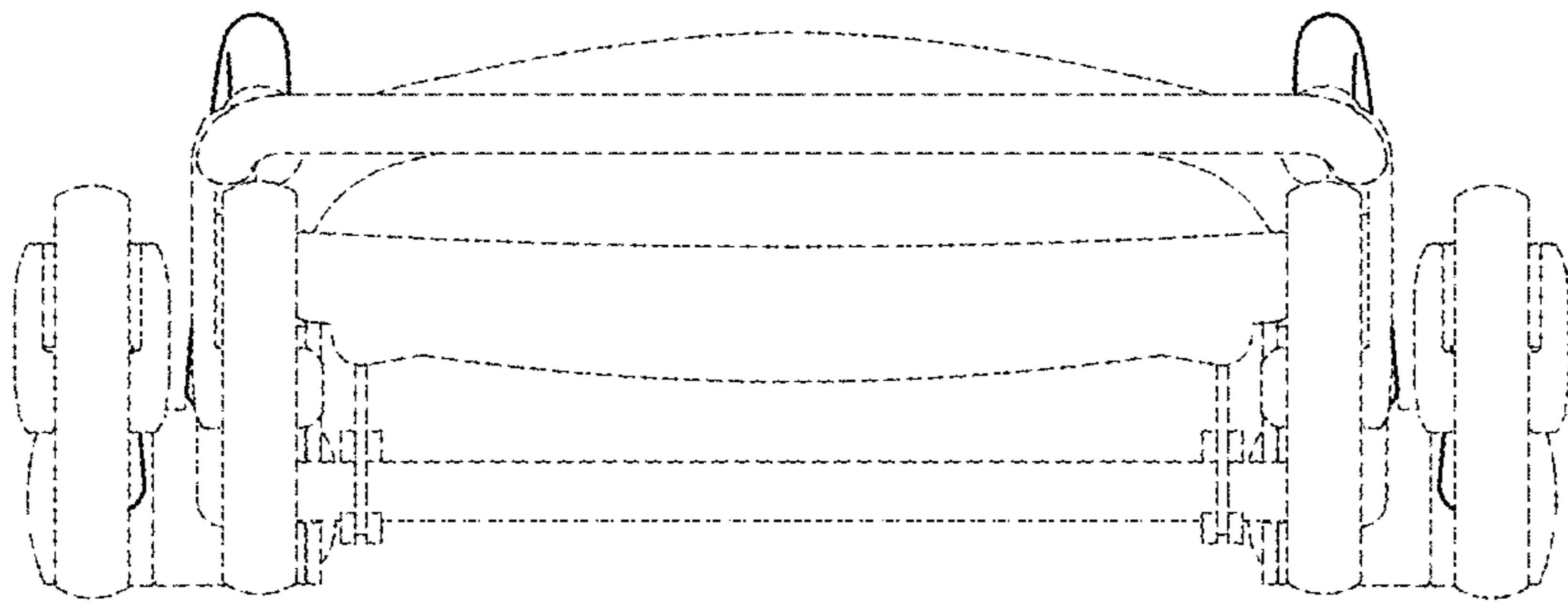


FIG. 12

