



US00D805438S

(12) **United States Design Patent**
Scott et al.

(10) **Patent No.:** **US D805,438 S**

(45) **Date of Patent:** **** Dec. 19, 2017**

(54) **AUTOMOBILE EXTERIOR**

(71) Applicants: **Everard J Scott**, Sterling Heights, MI (US); **Michael C Gillam**, Oxford, MI (US); **Deyan Ninov**, Ferndale, MI (US); **Nicolas R Stone**, Royal Oak, MI (US)

(72) Inventors: **Everard J Scott**, Sterling Heights, MI (US); **Michael C Gillam**, Oxford, MI (US); **Deyan Ninov**, Ferndale, MI (US); **Nicolas R Stone**, Royal Oak, MI (US)

(73) Assignee: **FCA US LLC**, Auburn Hills, MI (US)

(**) Term: **15 Years**

(21) Appl. No.: **29/580,831**

(22) Filed: **Oct. 13, 2016**

(51) **LOC (10) Cl.** **12-08**

(52) **U.S. Cl.**
USPC **D12/98**

(58) **Field of Classification Search**
USPC D12/90–93, 98, 164
CPC B60K 11/085; B62D 35/00
See application file for complete search history.

(56) **References Cited**

U.S. PATENT DOCUMENTS

D455,372 S	4/2002	Myles et al.	
D508,440 S *	8/2005	Hall	D12/98
D516,957 S *	3/2006	O’Connell	D12/91
D551,127 S *	9/2007	Kruger	D12/98
D564,946 S *	3/2008	Kruger	D12/98
D570,743 S *	6/2008	Takagi	D12/98
D586,699 S *	2/2009	Opfer	D12/98

D588,501 S	3/2009	Kruger et al.	
D589,407 S	3/2009	Kruger et al.	
D659,052 S *	5/2012	Ware	D12/98
D703,586 S *	4/2014	Platto	D12/98
D723,428 S *	3/2015	Sperling	D12/98
D742,790 S *	11/2015	Noguchi	D12/98
D748,014 S *	1/2016	Ino	D12/98
D755,082 S	5/2016	Gillam et al.	
D755,083 S	5/2016	Gillam et al.	
D763,738 S *	8/2016	Dewitt	D12/96
D775,551 S *	1/2017	Platto	D12/98
2013/0175818 A1 *	7/2013	Bates	B62D 33/04 296/10

* cited by examiner

Primary Examiner — Caron D Veynar

Assistant Examiner — Melvin L Davis

(74) *Attorney, Agent, or Firm* — Ralph E. Smith

(57) **CLAIM**

The ornamental design for an automobile exterior, as shown and described.

DESCRIPTION

FIG. 1 is a front perspective view of an automobile exterior showing our new design;

FIG. 2 is a rear perspective view thereof;

FIG. 3 is a side view thereof;

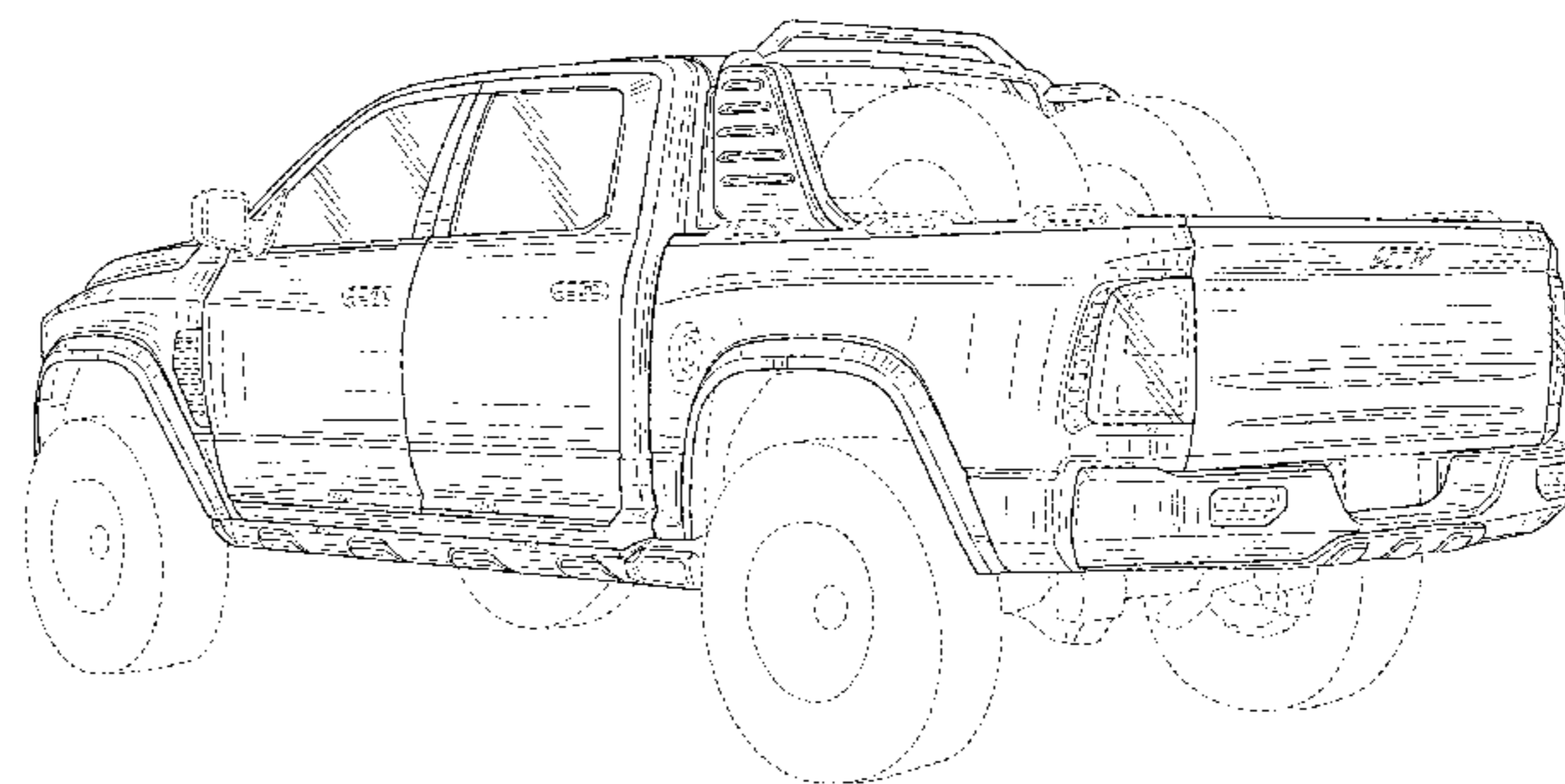
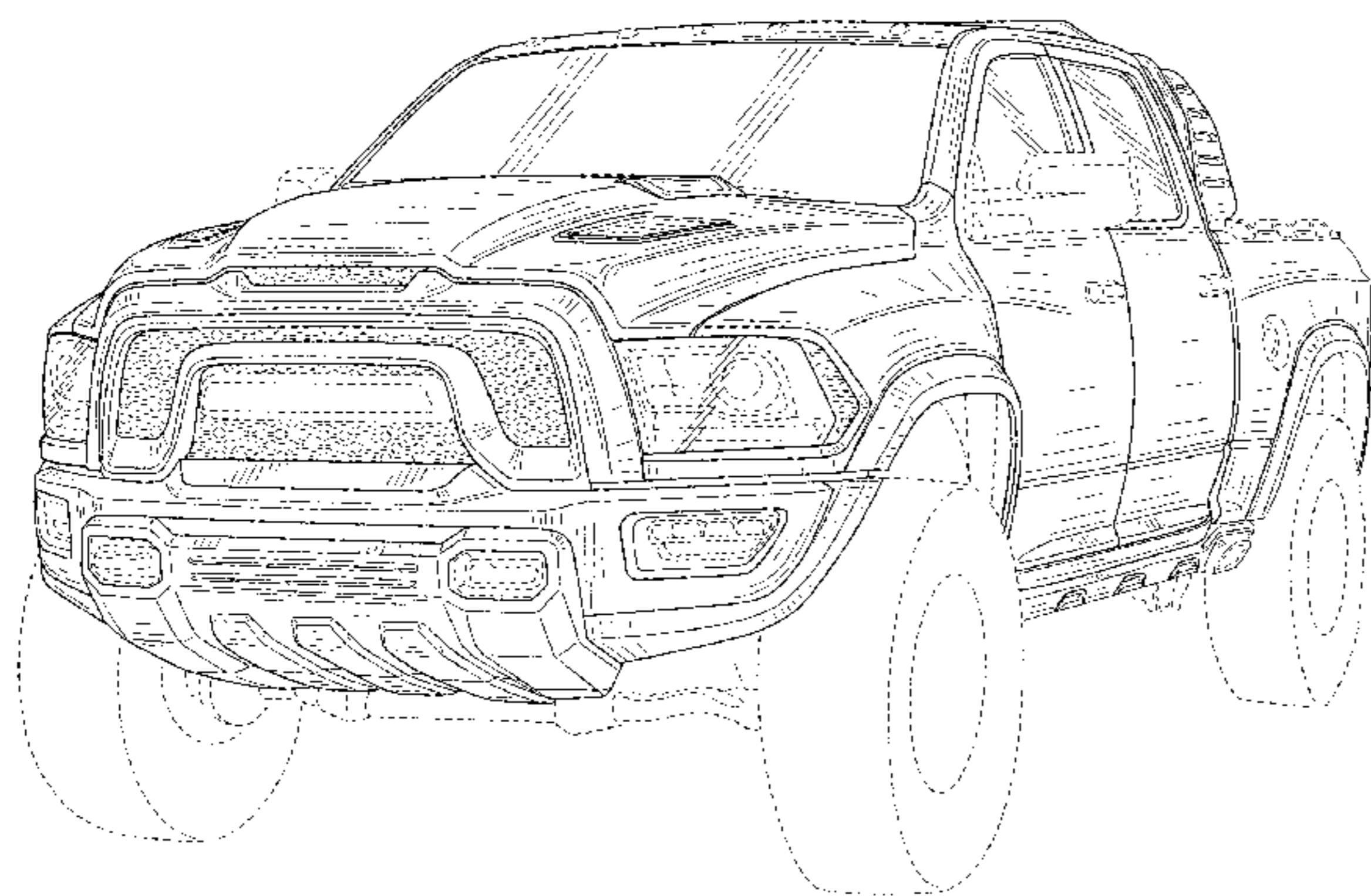
FIG. 4 is a top plan view thereof;

FIG. 5 is a front view thereof; and,

FIG. 6 is a rear view thereof.

It will be understood that the broken lines shown in the drawings illustrate portions of the automobile exterior that form no part of claimed design.

1 Claim, 5 Drawing Sheets



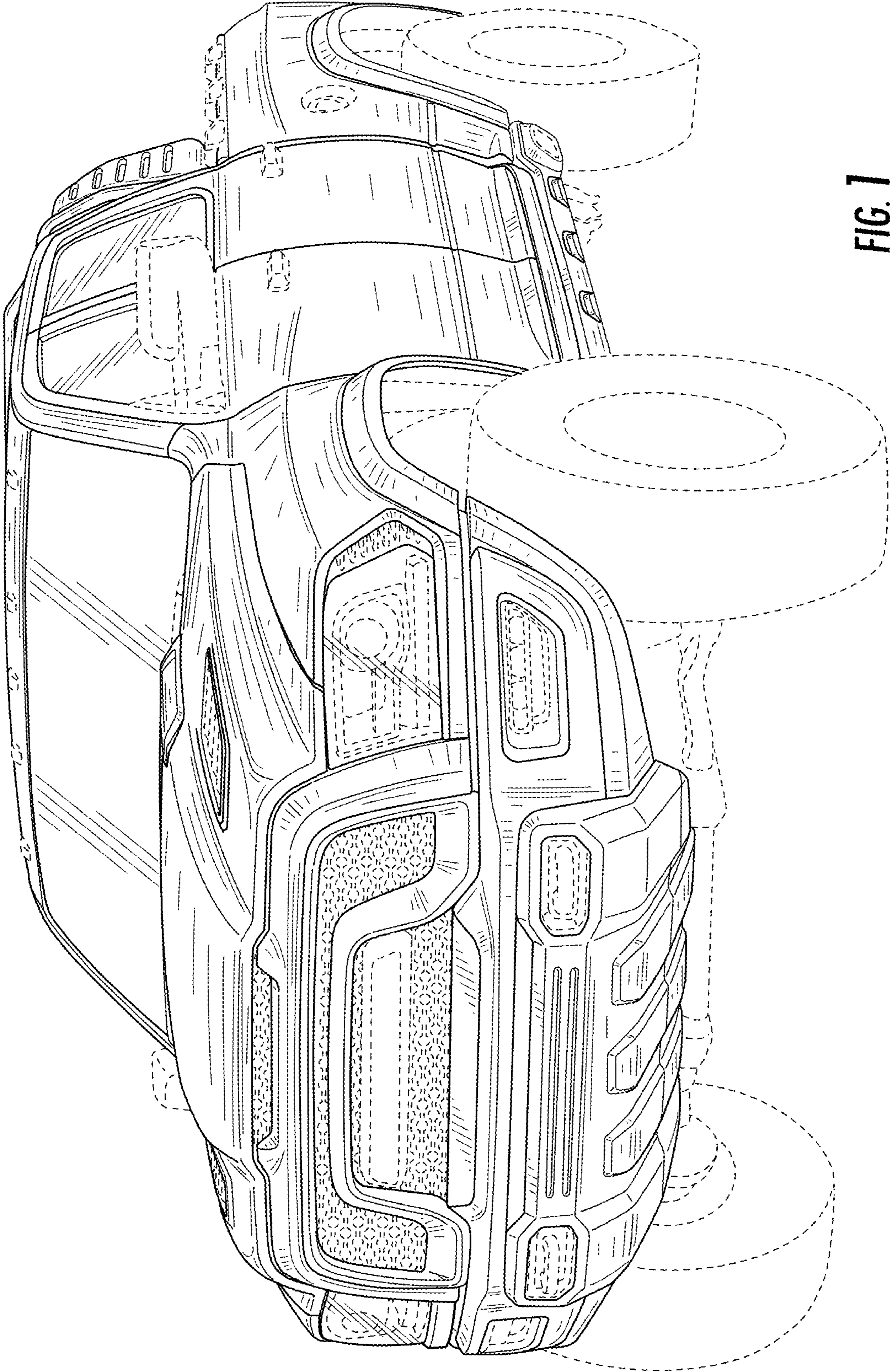


FIG. 1

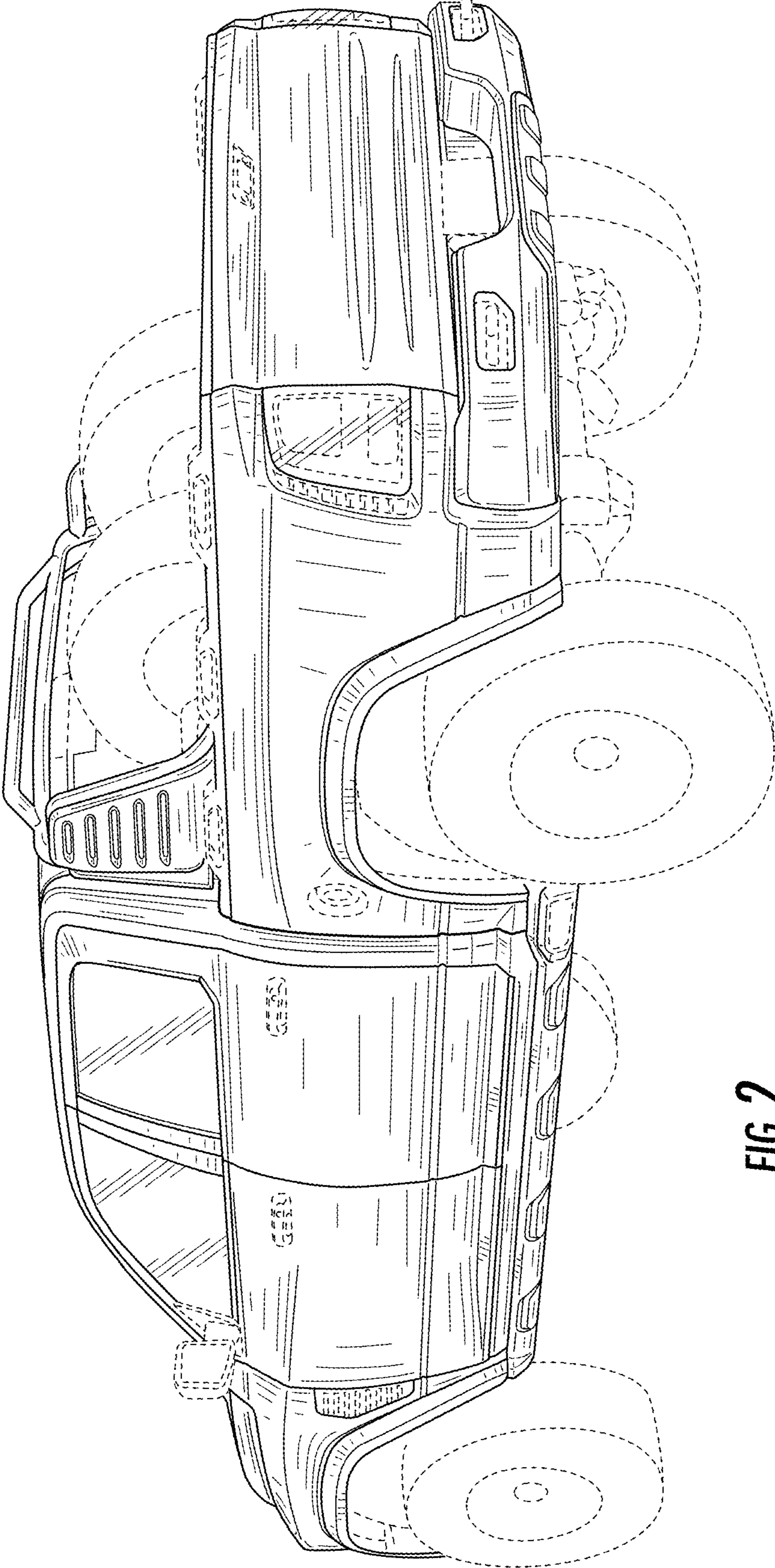


FIG. 2

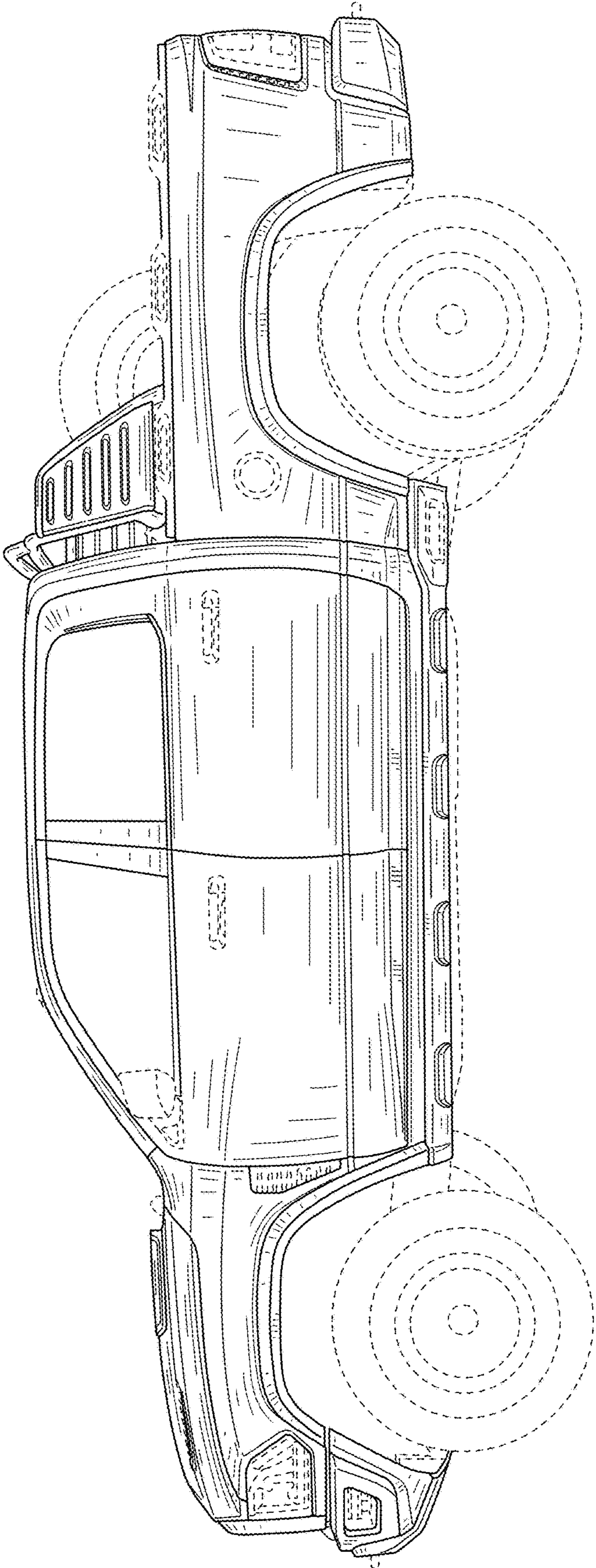


FIG. 3

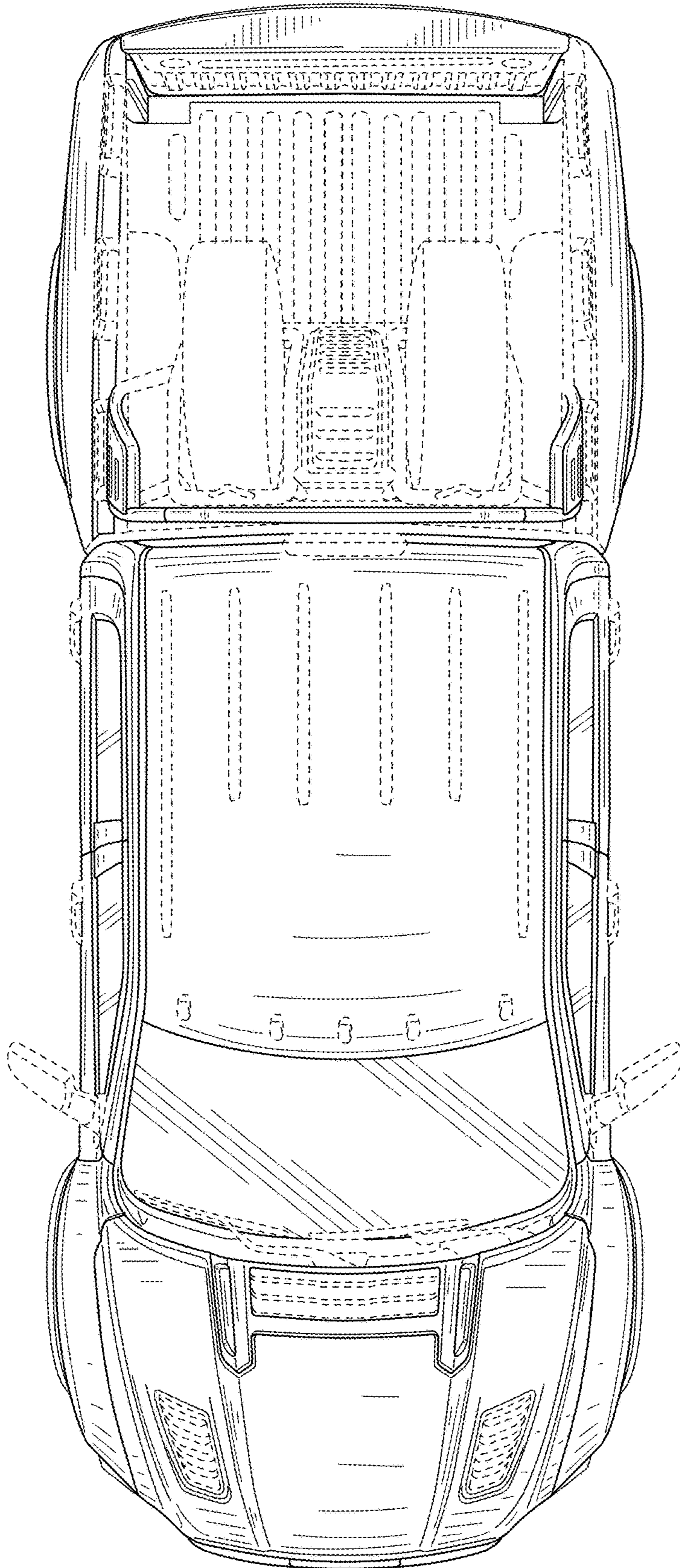


FIG. 4

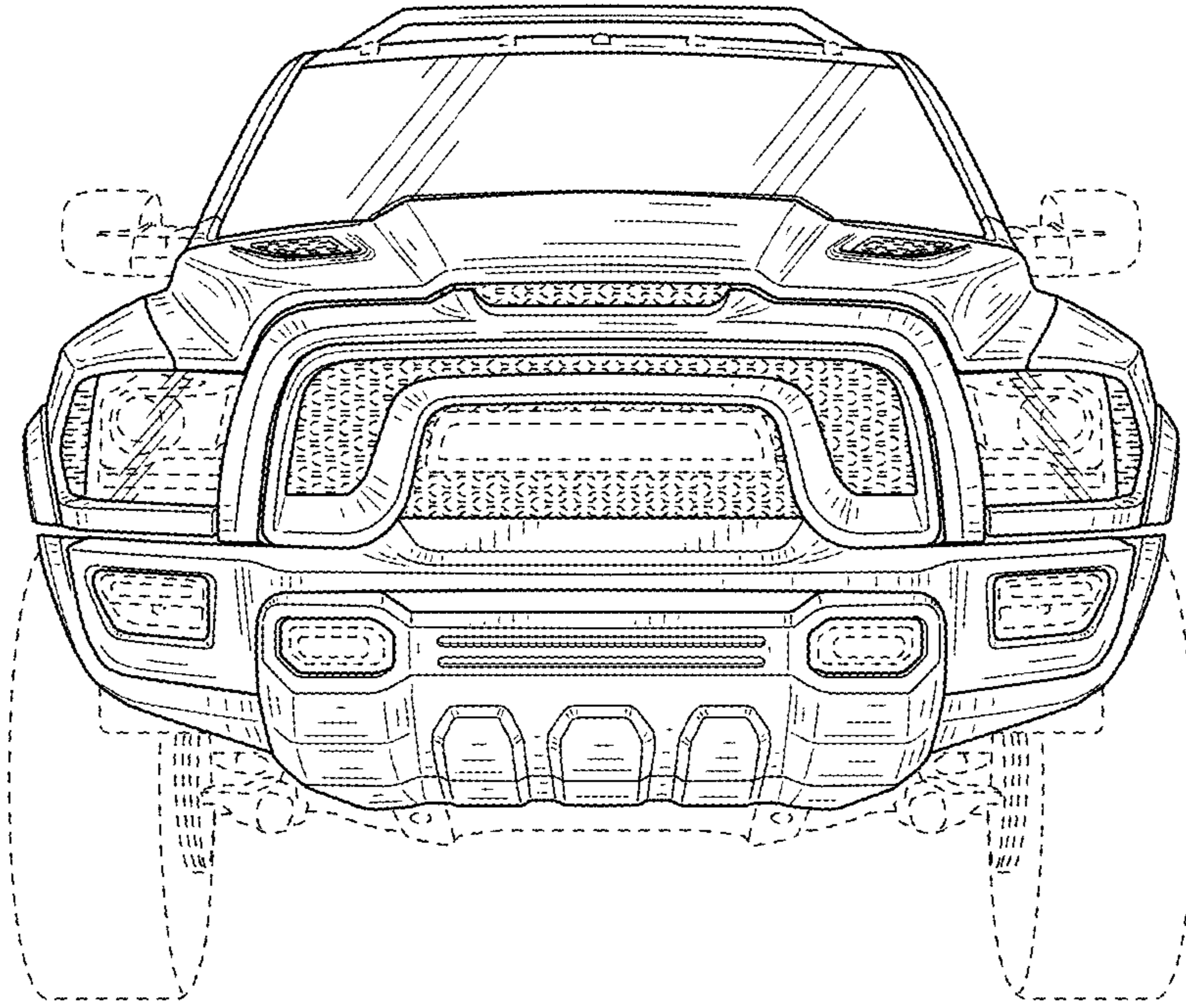


FIG. 5

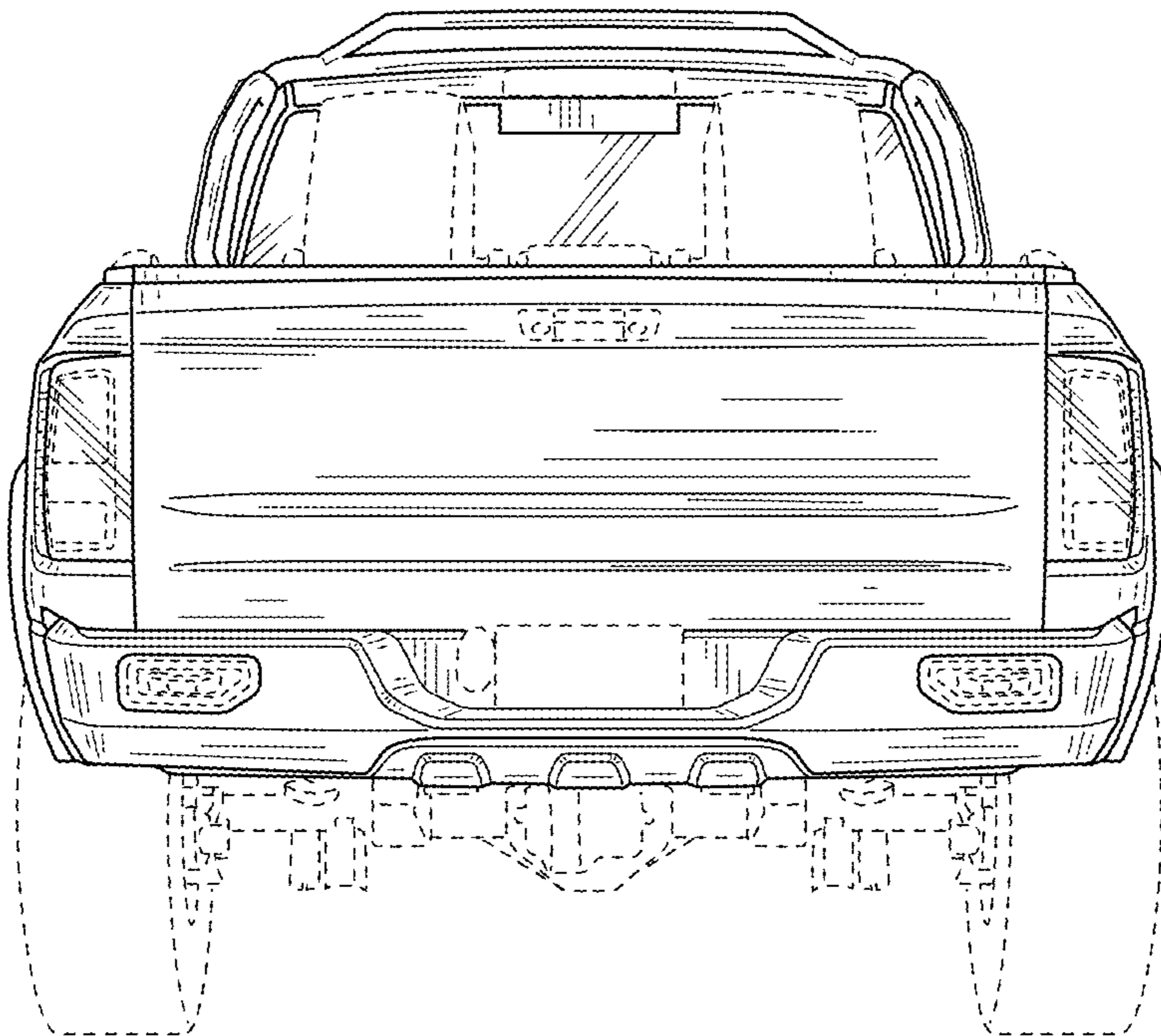


FIG. 6