



US00D805437S

(12) **United States Design Patent**
Varga

(10) **Patent No.:** **US D805,437 S**

(45) **Date of Patent:** **** Dec. 19, 2017**

(54) **MOTOR VEHICLE, TOY AND/OR REPLICA**

(71) Applicant: **Dr. Ing. h.c. F. Porsche**
Aktiengesellschaft, Stuttgart (DE)

(72) Inventor: **Peter Varga, Pforzheim (DE)**

(73) Assignee: **Dr. Ing. h.c. F. Porsche**
Aktiengesellschaft, Stuttgart (DE)

(**) Term: **15 Years**

(21) Appl. No.: **29/575,773**

(22) Filed: **Aug. 29, 2016**

(30) **Foreign Application Priority Data**

Feb. 29, 2016 (DE) 40 2016 100 233

(51) **LOC (10) Cl.** **12-08**

(52) **U.S. Cl.**
USPC **D12/92**

(58) **Field of Classification Search**
USPC D12/86, 90-92; D21/421, 433, 434;
296/181.1, 181.5
CPC B62D 35/00; B62D 25/00; B62D 25/06;
B62D 33/00
See application file for complete search history.

(56) **References Cited**

U.S. PATENT DOCUMENTS

D356,757 S 3/1995 Lagaay
D431,796 S 10/2000 Lagaay
D515,461 S 2/2006 Lai
D528,056 S 9/2006 Lai

D593,906 S 6/2009 Borkert
D605,981 S 12/2009 Larson
D651,944 S * 1/2012 Steinmetz D12/92
D659,593 S 5/2012 Robinson
D661,226 S * 6/2012 Varga D12/92
D661,227 S * 6/2012 Varga D12/92
D661,228 S * 6/2012 Armbruster D12/92
D736,674 S 8/2015 Larson
D754,565 S 4/2016 Varga
D754,566 S 4/2016 Varga
D755,677 S * 5/2016 Stopka D12/92
D768,037 S * 10/2016 Stopka D12/92
D797,607 S * 9/2017 Preuninger D12/92

* cited by examiner

Primary Examiner — Melody N Brown

(74) *Attorney, Agent, or Firm* — RatnerPrestia

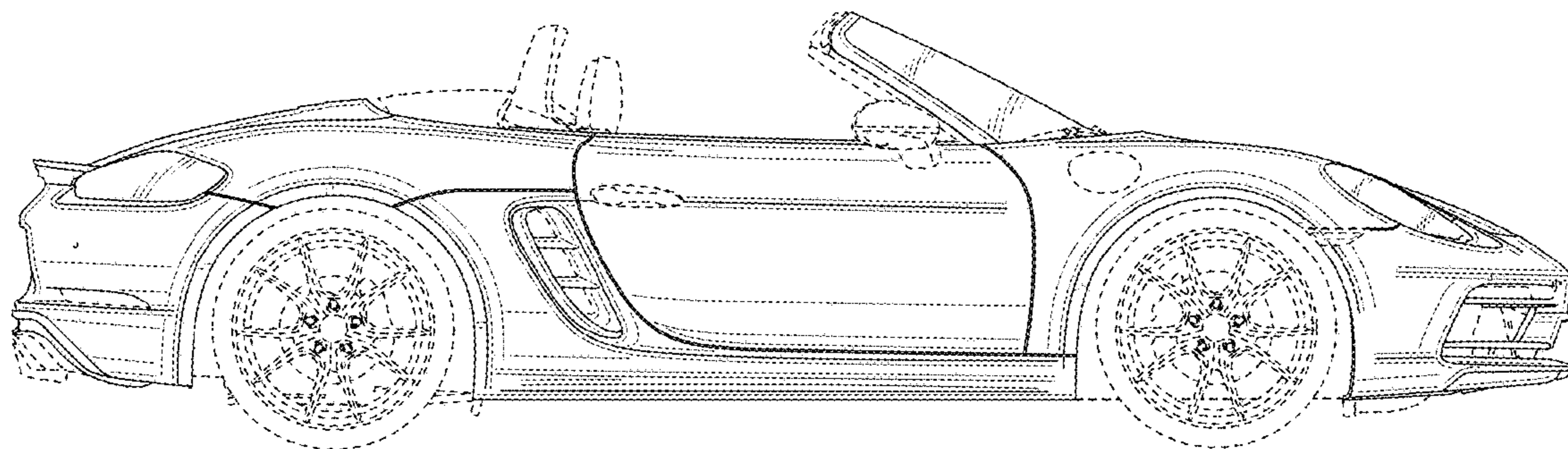
(57) **CLAIM**

The ornamental design for a motor vehicle, toy and/or replica, as shown and described.

DESCRIPTION

FIG. 1 is a front elevation view of a motor vehicle, toy and/or replica;
FIG. 2 is a rear elevation view thereof;
FIG. 3 is a left side elevation view thereof, the right side elevation view being a substantial mirror image of the left side elevation view; and,
FIG. 4 is a top plan view thereof.
The broken line showing of the motor vehicle, toy and/or replica is for the purpose of illustrating portions of the motor vehicle, toy and/or replica and forms no part of the claimed design.

1 Claim, 4 Drawing Sheets



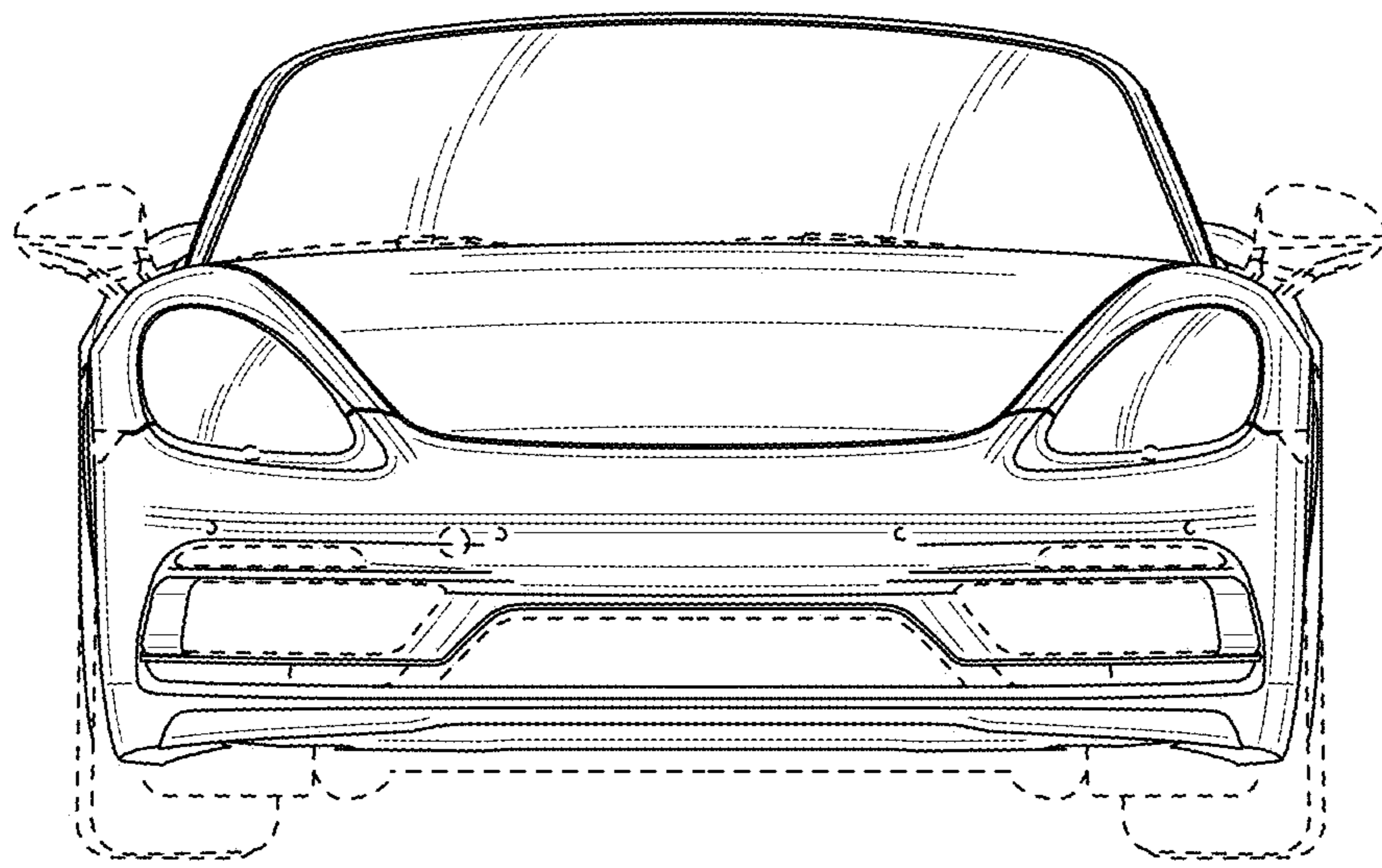


FIG. 1

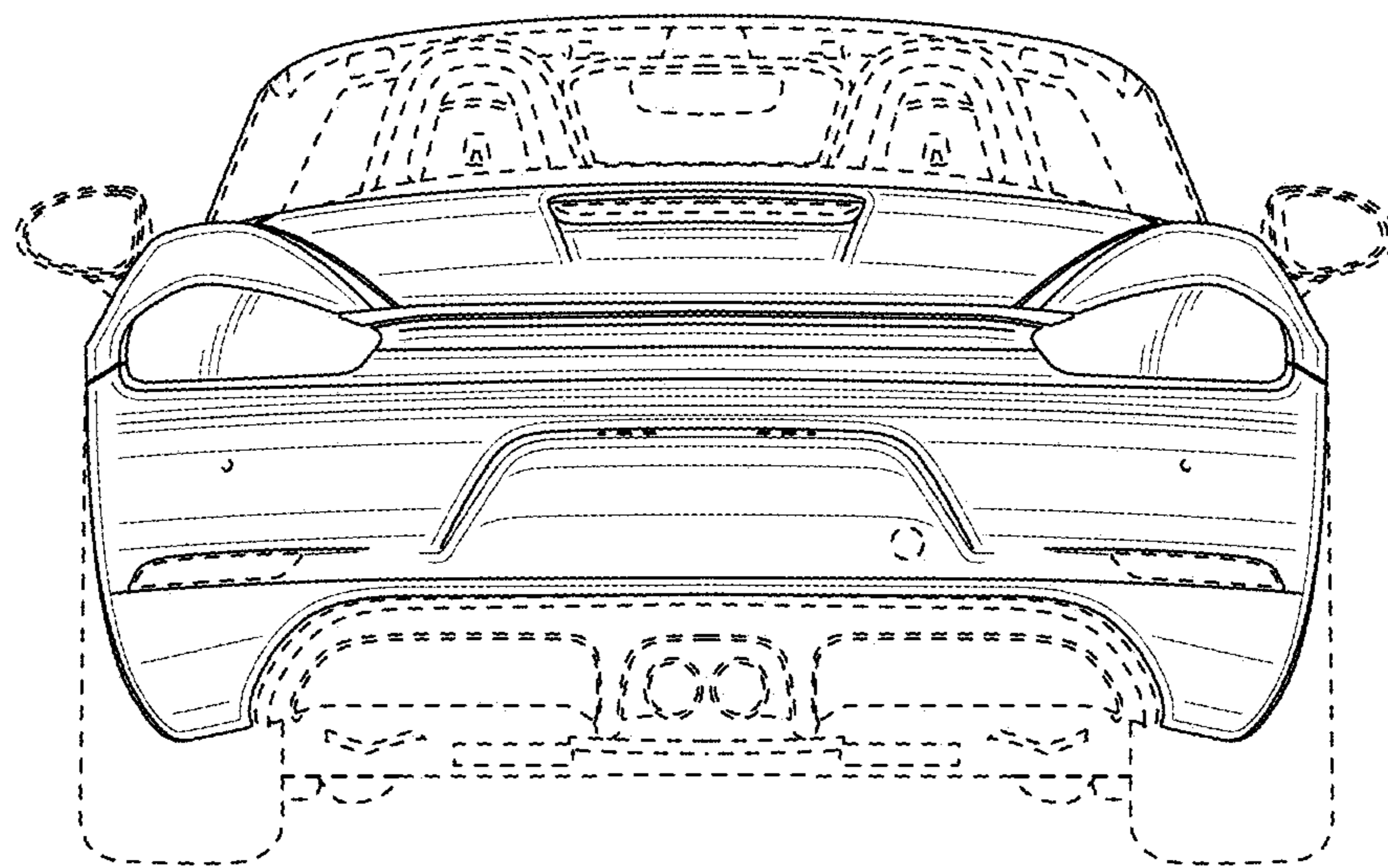


FIG. 2

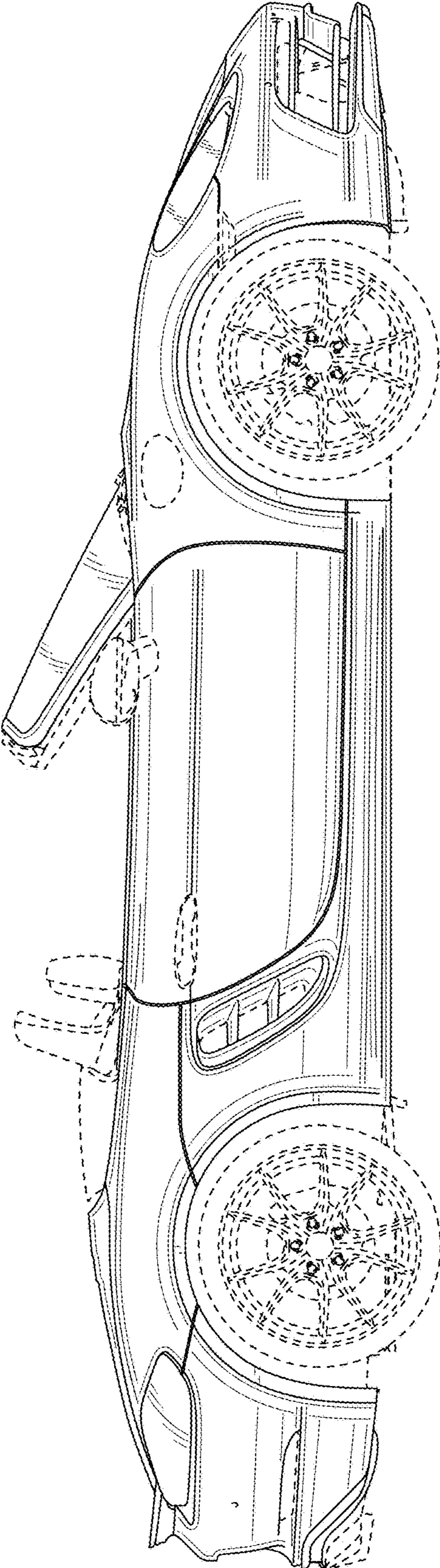


FIG. 3

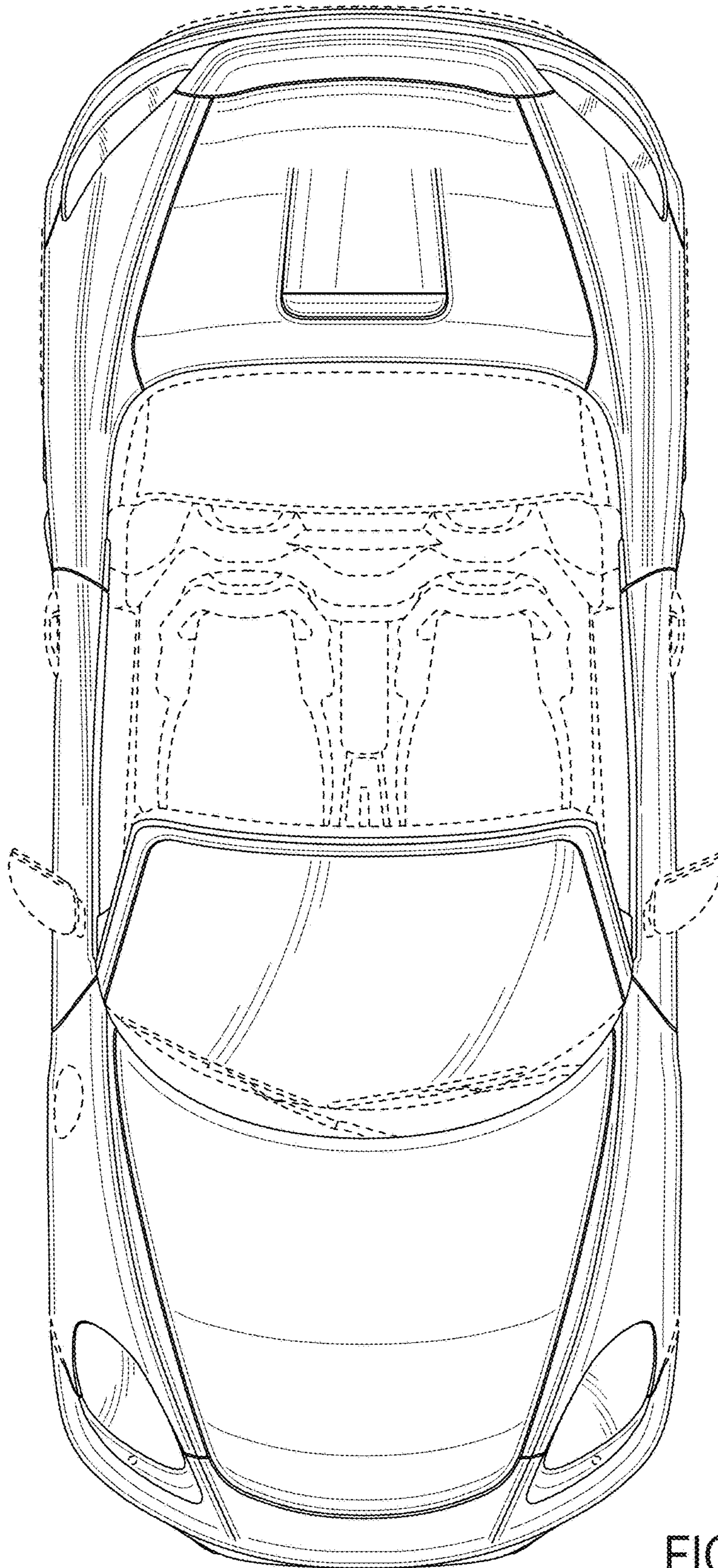


FIG. 4