



US00D805432S

(12) **United States Design Patent**  
**Scheinhütte**

(10) **Patent No.:** **US D805,432 S**

(45) **Date of Patent:** **\*\* Dec. 19, 2017**

(54) **MOTOR VEHICLE, TOY AND/OR REPLICA**

(71) Applicant: **Dr. Ing. h.c. F. Porsche**  
**Aktiengesellschaft, Stuttgart (DE)**

(72) Inventor: **Ingo Scheinhütte, Eberdingen (DE)**

(73) Assignee: **Dr. Ing. h.c. F. Porsche**  
**Aktiengesellschaft, Stuttgart (DE)**

(\*\*) Term: **15 Years**

(21) Appl. No.: **29/576,777**

(22) Filed: **Sep. 7, 2016**

(30) **Foreign Application Priority Data**

Mar. 7, 2016 (DE) ..... 40 2016 100 256

(51) **LOC (10) Cl.** ..... **12-08**

(52) **U.S. Cl.**  
USPC ..... **D12/91**

(58) **Field of Classification Search**  
USPC ..... D12/86, 90-92; D21/421, 433, 434;  
296/181.1, 181.5  
CPC ..... B62D 35/00; B62D 25/00; B62D 25/06;  
B62D 33/00  
See application file for complete search history.

(56) **References Cited**

**U.S. PATENT DOCUMENTS**

D468,237 S	1/2003	Murkett	
D537,383 S *	2/2007	Kato	D12/91
D588,047 S	3/2009	Kulla	
D600,594 S	9/2009	Kulla	
D622,184 S	8/2010	Borkert	

D622,632 S	8/2010	Borkert	
D649,911 S *	12/2011	Okumoto	D12/92
D686,531 S *	7/2013	Lamm	D12/91
D690,620 S *	10/2013	Scheinhutte	D12/92
D696,159 S	12/2013	Borkert	
D697,453 S	1/2014	Borkert	
D702,152 S	4/2014	Borkert	
D712,790 S	9/2014	Scheinhütte	
D712,791 S	9/2014	Scheinhütte	
D715,196 S	10/2014	Yamashita	
D756,849 S *	5/2016	Garcia Lopez	D12/92
D789,251 S *	6/2017	Varga	D12/91
D789,832 S *	6/2017	Varga	D12/91
D790,401 S *	6/2017	Scheinhutte	D12/91
D796,997 S *	9/2017	Varga	D12/91

\* cited by examiner

*Primary Examiner* — Melody N Brown

(74) *Attorney, Agent, or Firm* — RatnerPrestia

(57) **CLAIM**

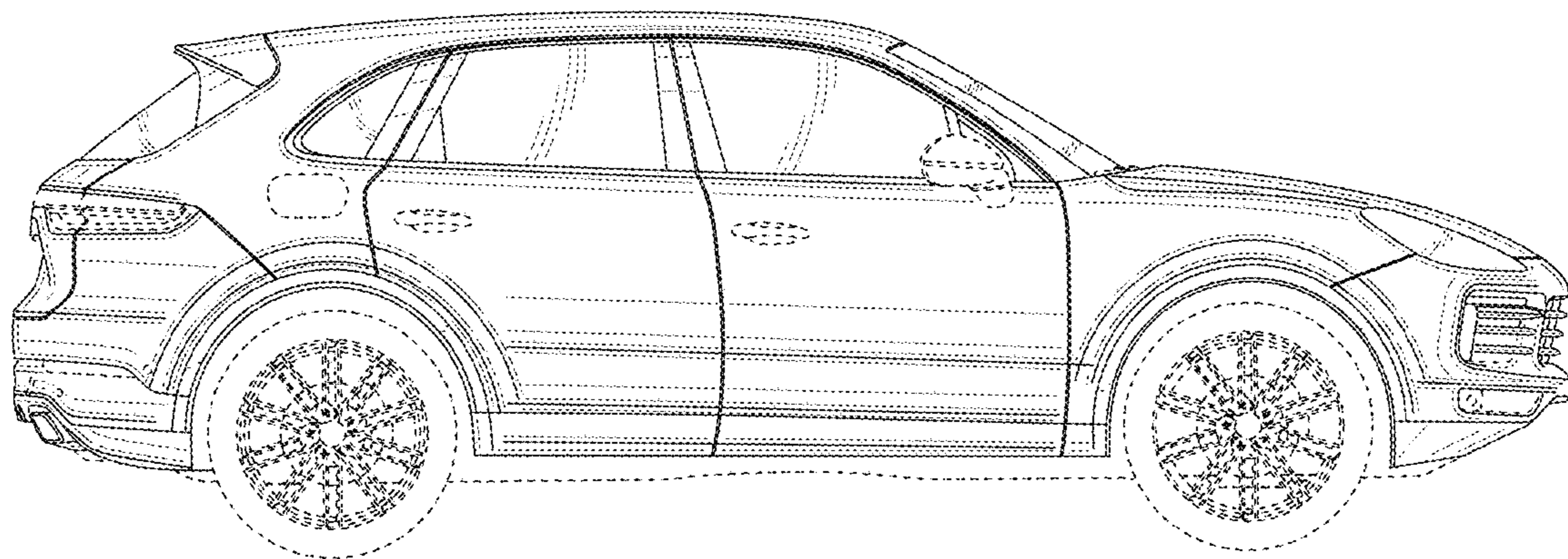
The ornamental design for a motor vehicle, toy and/or replica, as shown and described.

**DESCRIPTION**

FIG. 1 is a front elevation view of a motor vehicle, toy and/or replica;  
FIG. 2 is a rear elevation view thereof;  
FIG. 3 is a top plan view thereof; and,  
FIG. 4 is a left side elevation view thereof, the right side elevation view being a substantial mirror image of the left side elevation view.

The broken line showing of the motor vehicle, toy and/or replica is for the purpose of illustrating portions of the motor vehicle, toy and/or replica and forms no part of the claimed design.

**1 Claim, 4 Drawing Sheets**



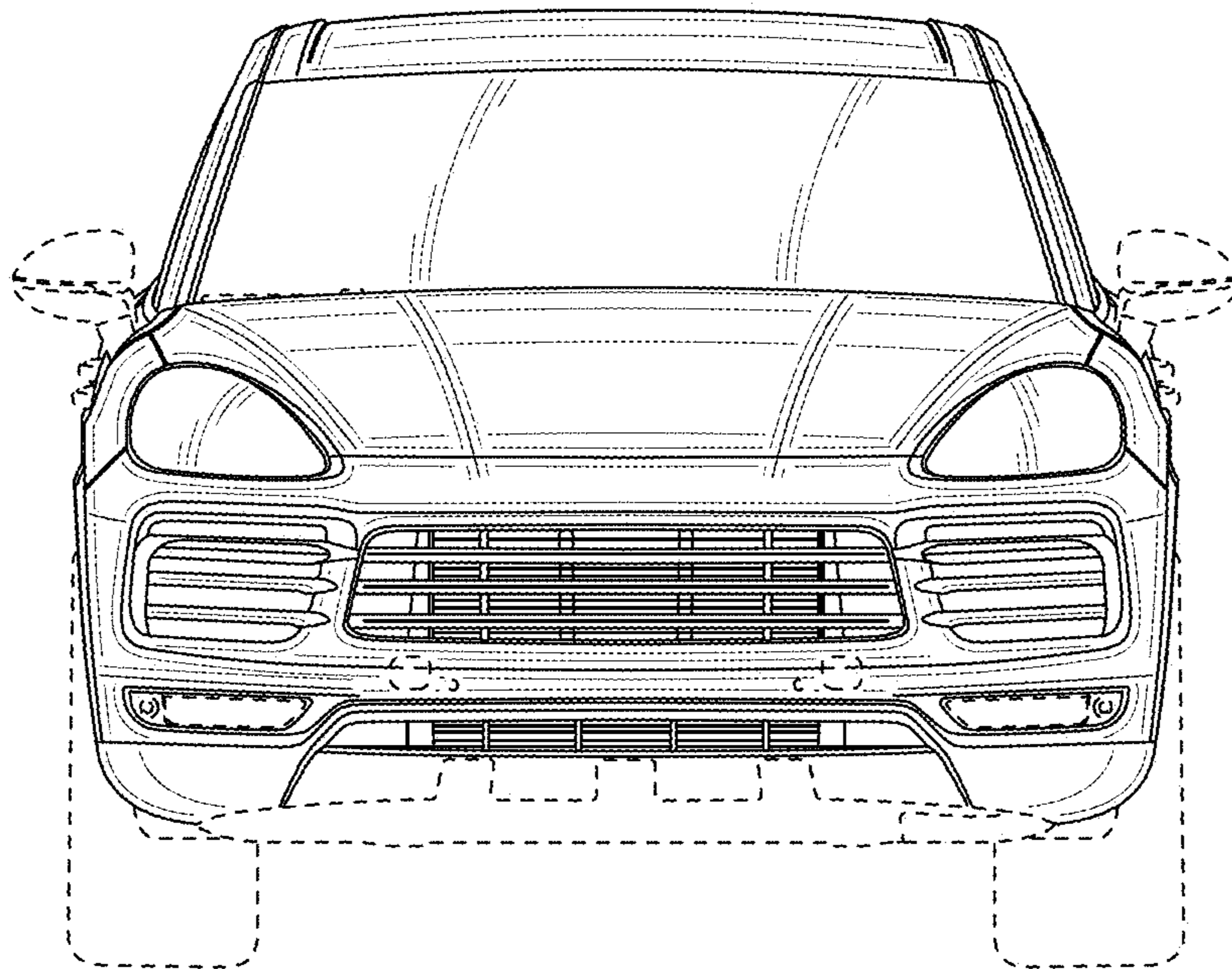


FIG. 1

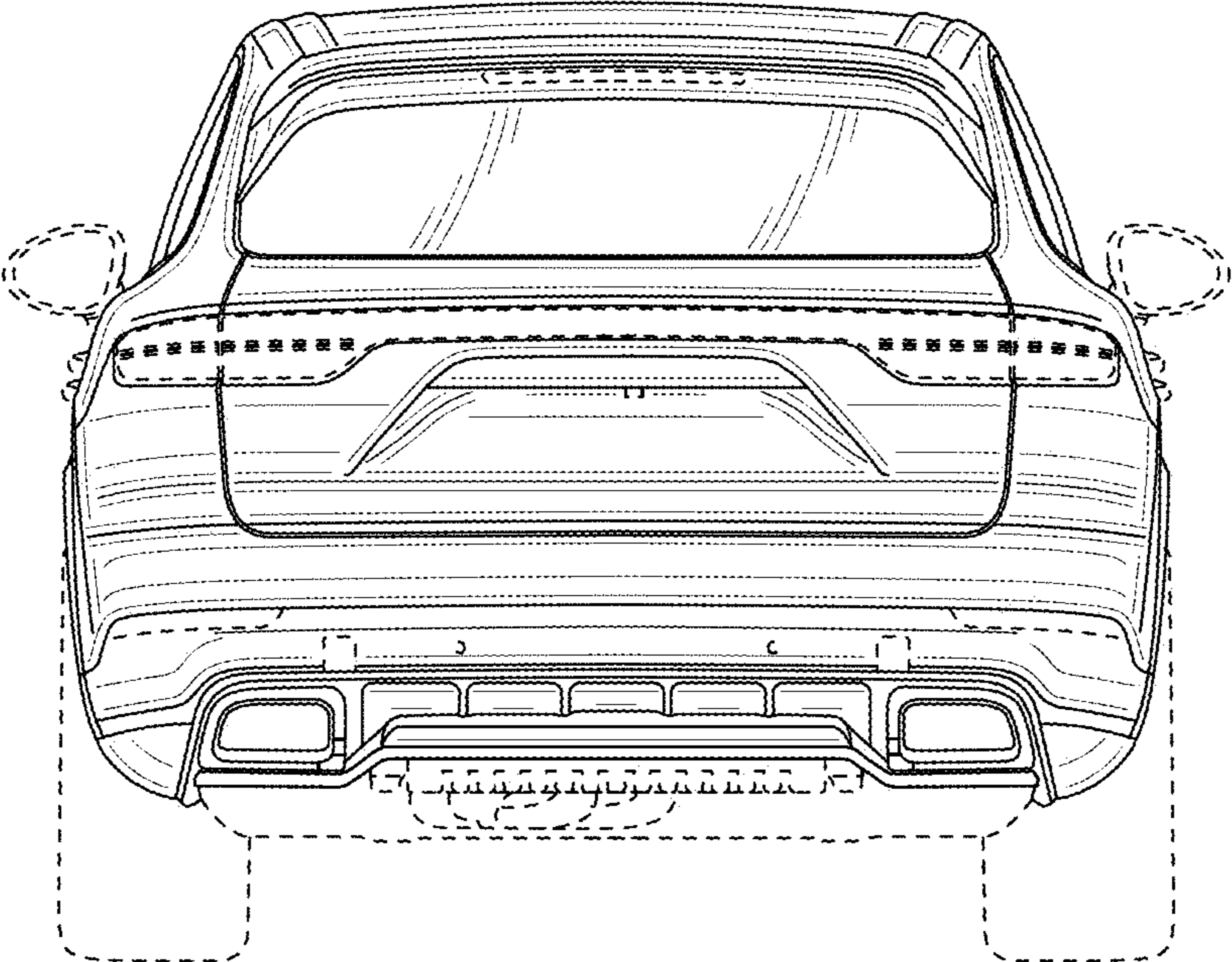


FIG. 2



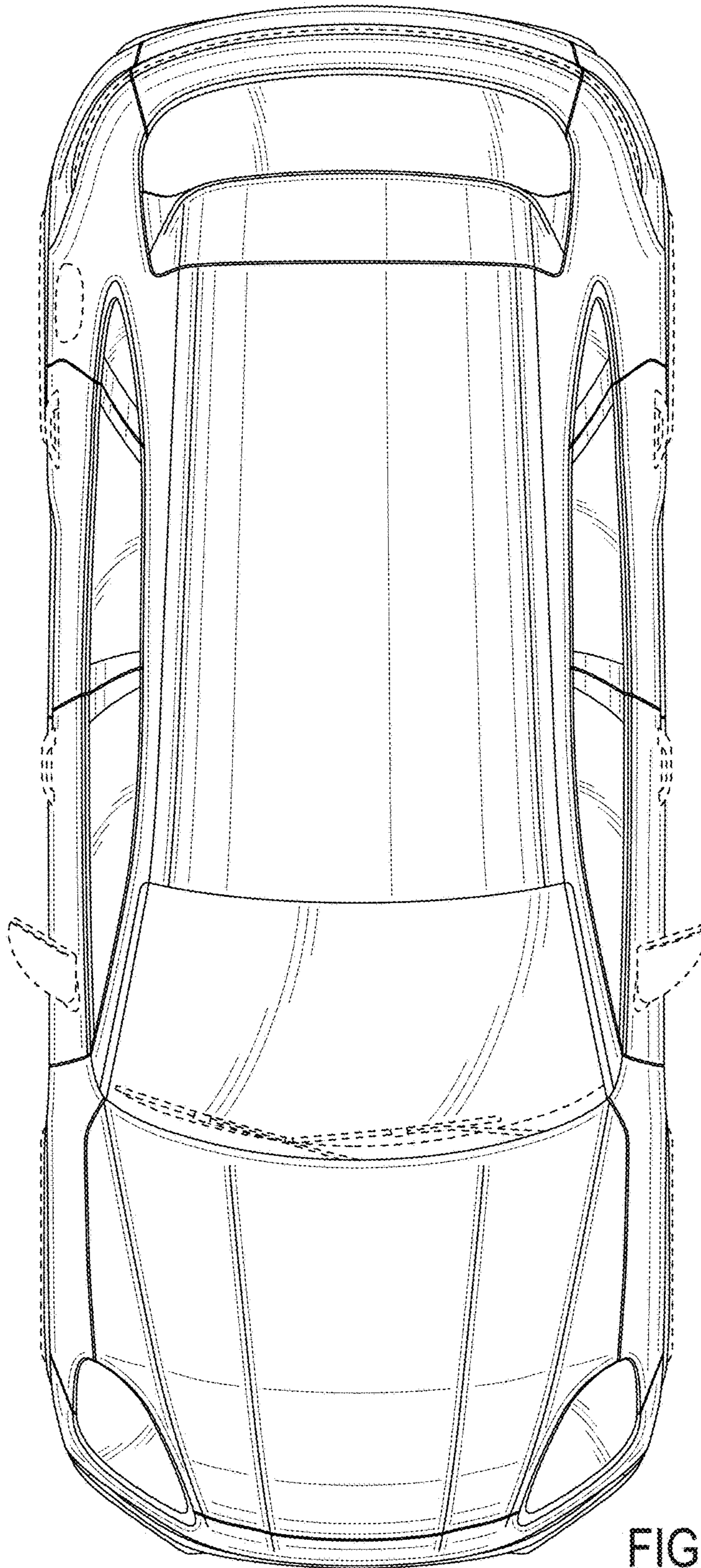


FIG. 3

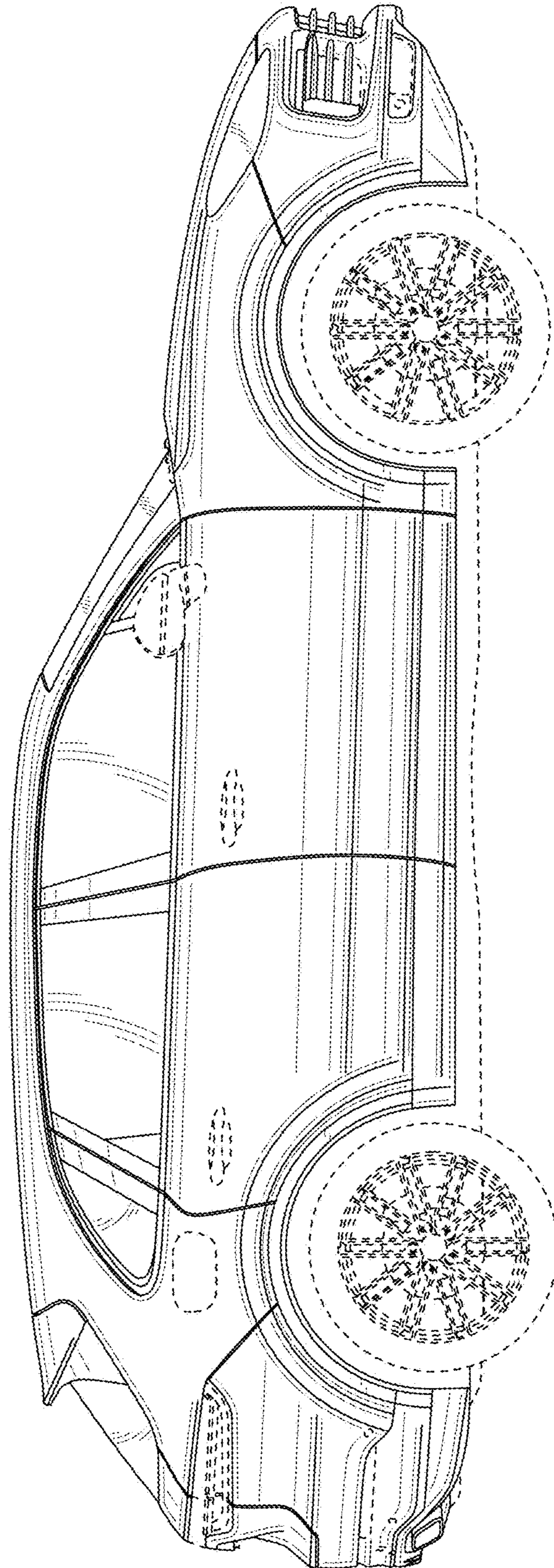


FIG. 4