



US00D805431S

(12) **United States Design Patent**  
**Li**

(10) **Patent No.:** **US D805,431 S**

(45) **Date of Patent:** **\*\* Dec. 19, 2017**

(54) **DRONE**

(71) Applicant: **ZEROTECH (SHENZHEN)  
INTELLIGENCE ROBOT CO.,  
LTD.**, Shenzhen (CN)

(72) Inventor: **Wenfeng Li**, Beijing (CN)

(73) Assignee: **ZEROTECH (SHENZHEN)  
INTELLIGENCE ROBOT CO.,  
LTD.**, Shenzhen (CN)

(\*\*) Term: **15 Years**

(21) Appl. No.: **29/575,045**

(22) Filed: **Aug. 22, 2016**

(51) **LOC (10) Cl.** ..... **12-07**

(52) **U.S. Cl.**  
USPC ..... **D12/16.1**

(58) **Field of Classification Search**  
USPC ..... D12/16.1, 319-345; D21/436, 441-444,  
D21/446-453  
CPC ..... B64C 1/062; B64C 39/024; B64C 27/08;  
B64C 29/00; B64C 39/00; B64C 23/00  
See application file for complete search history.

(56) **References Cited**

**U.S. PATENT DOCUMENTS**

D465,196 S *	11/2002	Dammar	.....	D12/328
7,789,342 B2 *	9/2010	Yoeli	.....	B60V 1/06 244/12.3
7,857,253 B2 *	12/2010	Yoeli	.....	B64C 1/1415 244/12.3
8,596,570 B1 *	12/2013	Carambat	.....	B64C 11/006 244/12.1
D710,454 S *	8/2014	Barajas	.....	D12/16.1
8,876,038 B2 *	11/2014	Yoeli	.....	B64C 19/00 244/23 A
9,004,396 B1 *	4/2015	Colin	.....	B64D 47/08 244/17.23

(Continued)

**OTHER PUBLICATIONS**

ZEROTECH Dobby Pocket Selfie Drone 13MP 4K Camera GPS Glonass Positioning RC Quadcopt on RCgroups.com dated May 31, 2016. found online [Dec. 12, 2016] [https://www.rcgroups.com/forums/showthread.php?2674395-ZEROTECH-DOBBY-Pocket-Selfie-Drone-13MP-4K-Camera-GPS-Glonass-Positioning-RC-Quadcopt.\\*](https://www.rcgroups.com/forums/showthread.php?2674395-ZEROTECH-DOBBY-Pocket-Selfie-Drone-13MP-4K-Camera-GPS-Glonass-Positioning-RC-Quadcopt.*)

*Primary Examiner* — Robert M Spear

*Assistant Examiner* — Marissa J Cash

(74) *Attorney, Agent, or Firm* — Scully Scott Murphy & Presser

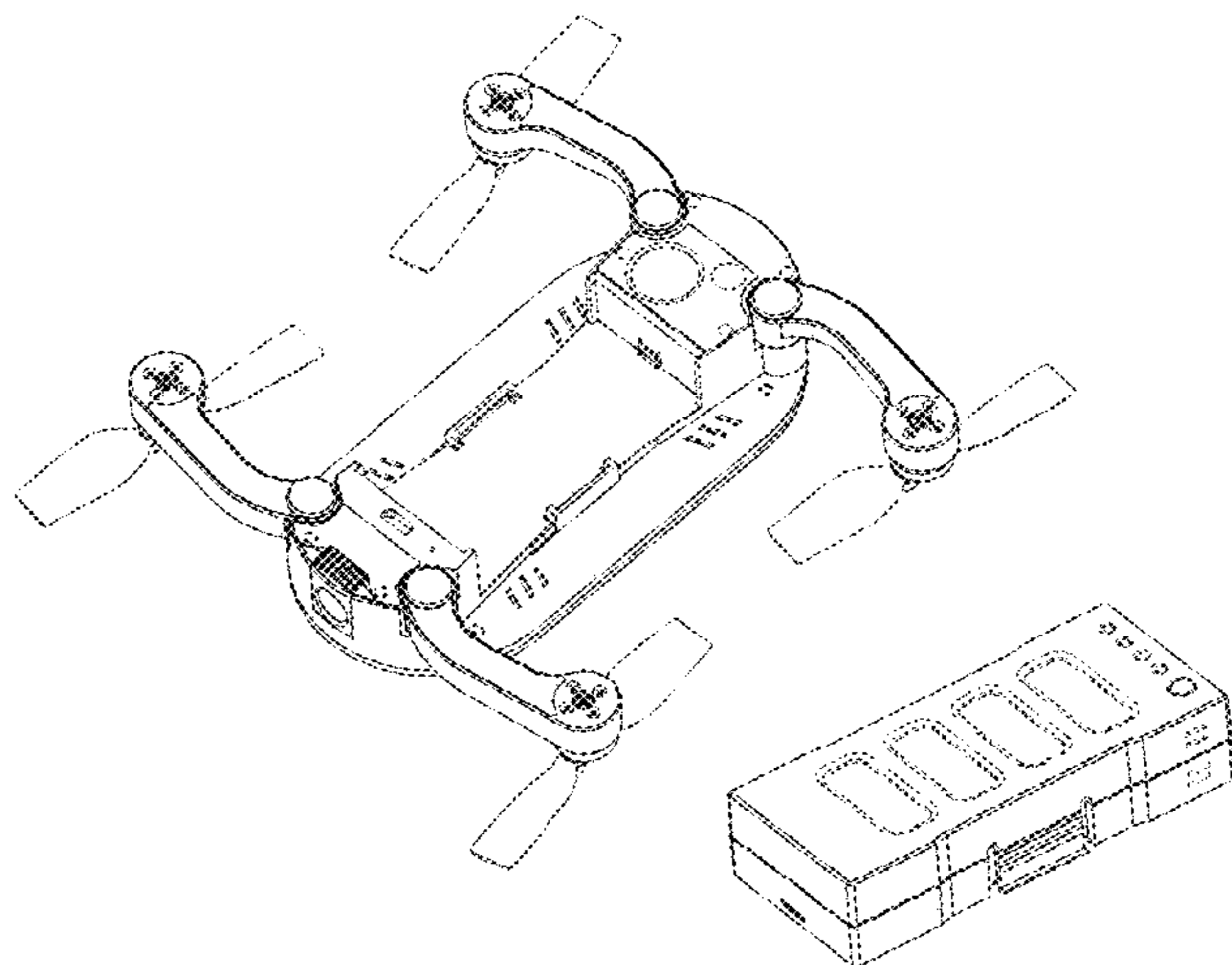
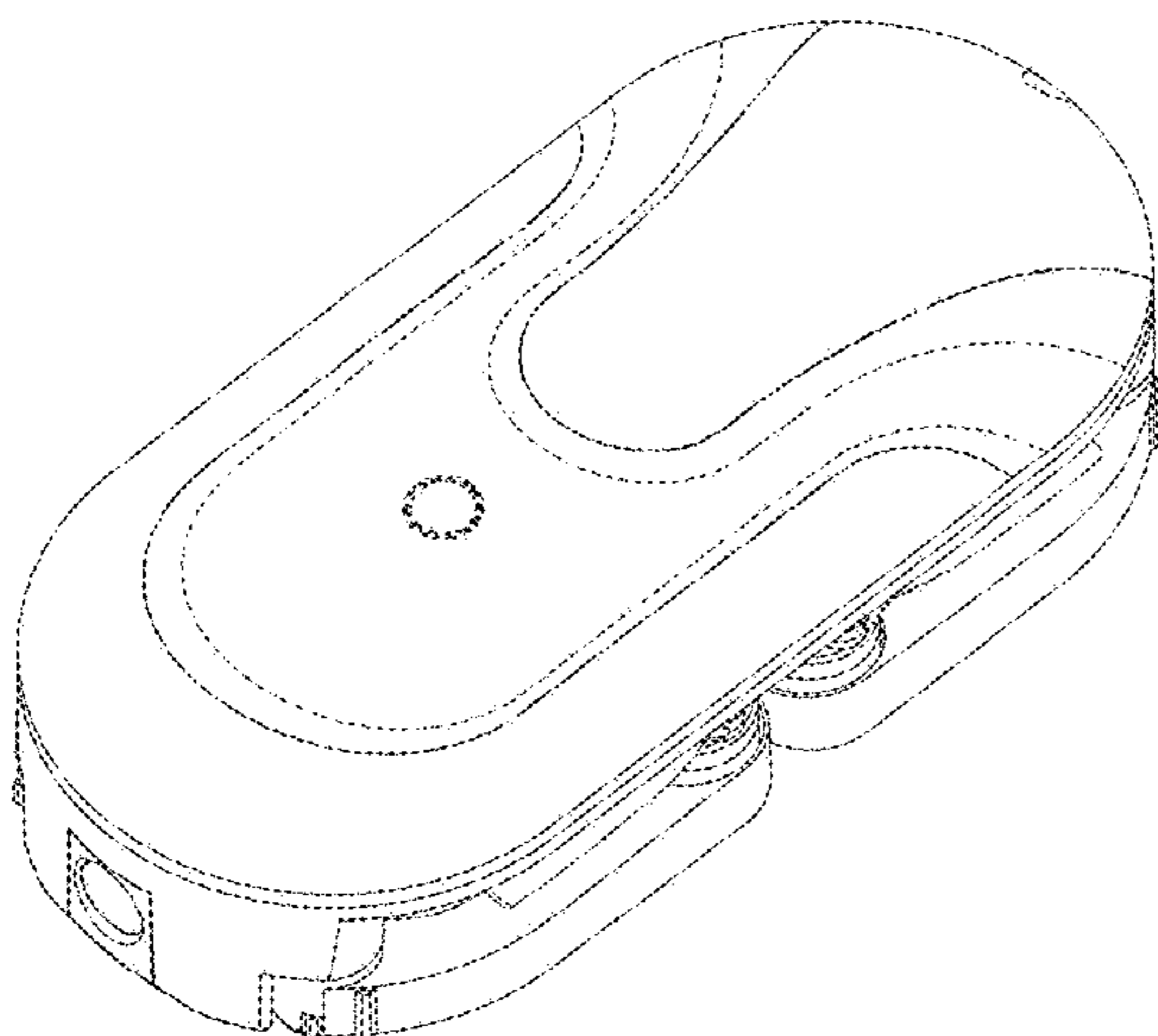
(57) **CLAIM**

The ornamental design for a drone, as shown and described.

**DESCRIPTION**

FIG. 1 is a top perspective view of a drone in a closed position, showing my new design;  
FIG. 2 is a top plan view of FIG. 1;  
FIG. 3 is a bottom plan view of FIG. 1;  
FIG. 4 is a left side elevation view of FIG. 1, and the right side elevation view being a mirror image of FIG. 4;  
FIG. 5 is a rear elevation view of FIG. 1;  
FIG. 6 is a front elevation view of FIG. 1;  
FIG. 7 is an exploded bottom perspective view of FIG. 1;  
FIG. 8 is a top perspective view of the drone in an open position;  
FIG. 9 is a top plan view of FIG. 8;  
FIG. 10 is a bottom plan view of FIG. 8;  
FIG. 11 is a left side elevation view of FIG. 8, and the right side elevation view being a mirror image of FIG. 11;  
FIG. 12 is a rear elevation view of FIG. 8;  
FIG. 13 is a front elevation view of FIG. 8; and,  
FIG. 14 is an exploded bottom perspective view of FIG. 8.  
In the drawings, the evenly-spaced broken line showing of a drone depicts environment and forms no part of the claim; the dash-dot-dot-dash lines represent boundaries of the claimed design and form no part thereof.

**1 Claim, 10 Drawing Sheets**



(56)

**References Cited**

U.S. PATENT DOCUMENTS

D747,775 S \* 1/2016 Colin ..... D12/16.1  
D749,490 S \* 2/2016 Klick ..... D12/319  
D751,491 S \* 3/2016 Chen ..... D12/16.1  
2008/0283673 A1\* 11/2008 Yoeli ..... B60V 1/043  
244/23 A  
2010/0051740 A1\* 3/2010 Yoeli ..... B64C 29/0033  
244/12.1  
2010/0051753 A1\* 3/2010 Yoeli ..... B64C 29/0025  
244/23 A

\* cited by examiner

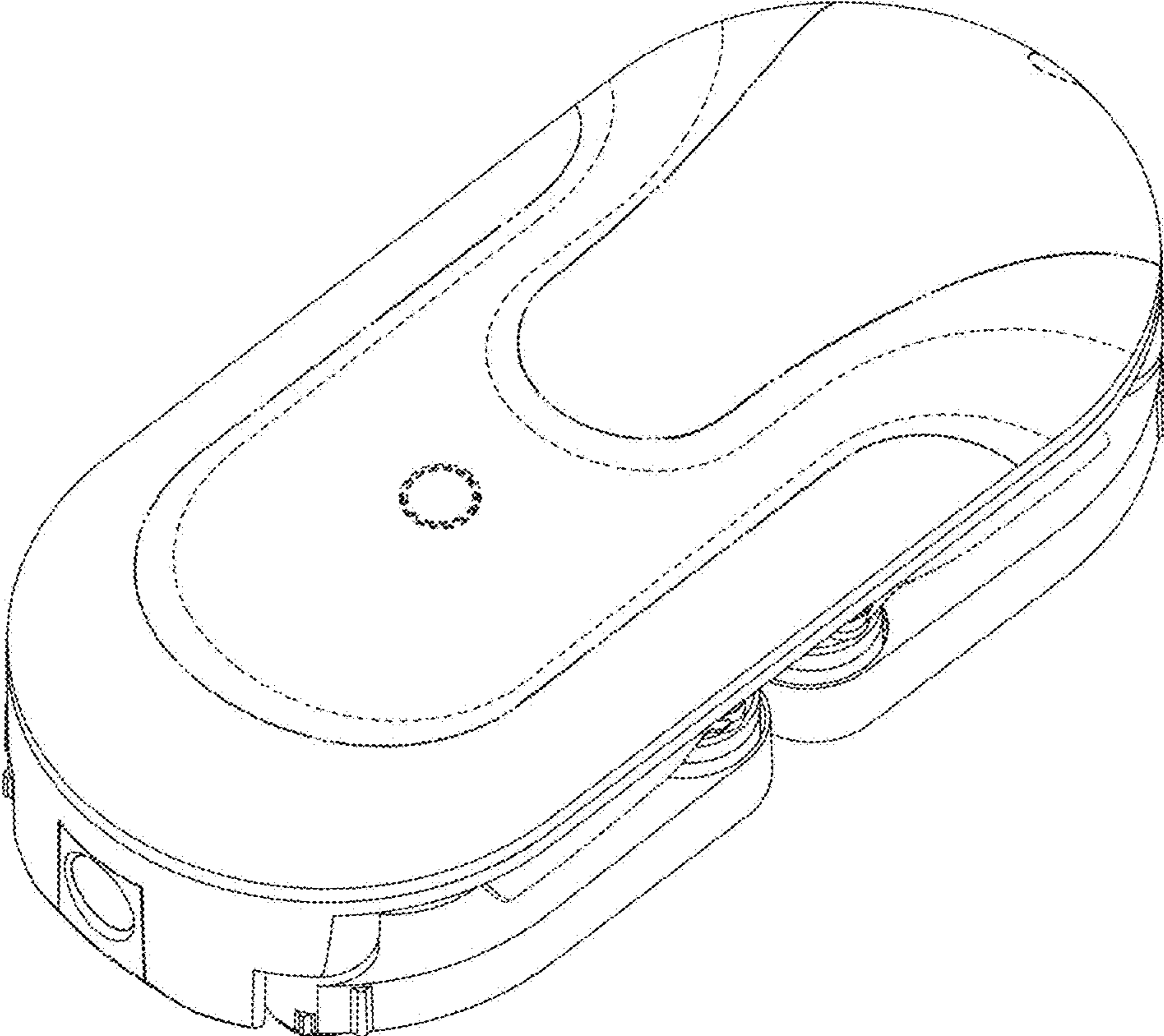


Fig. 1

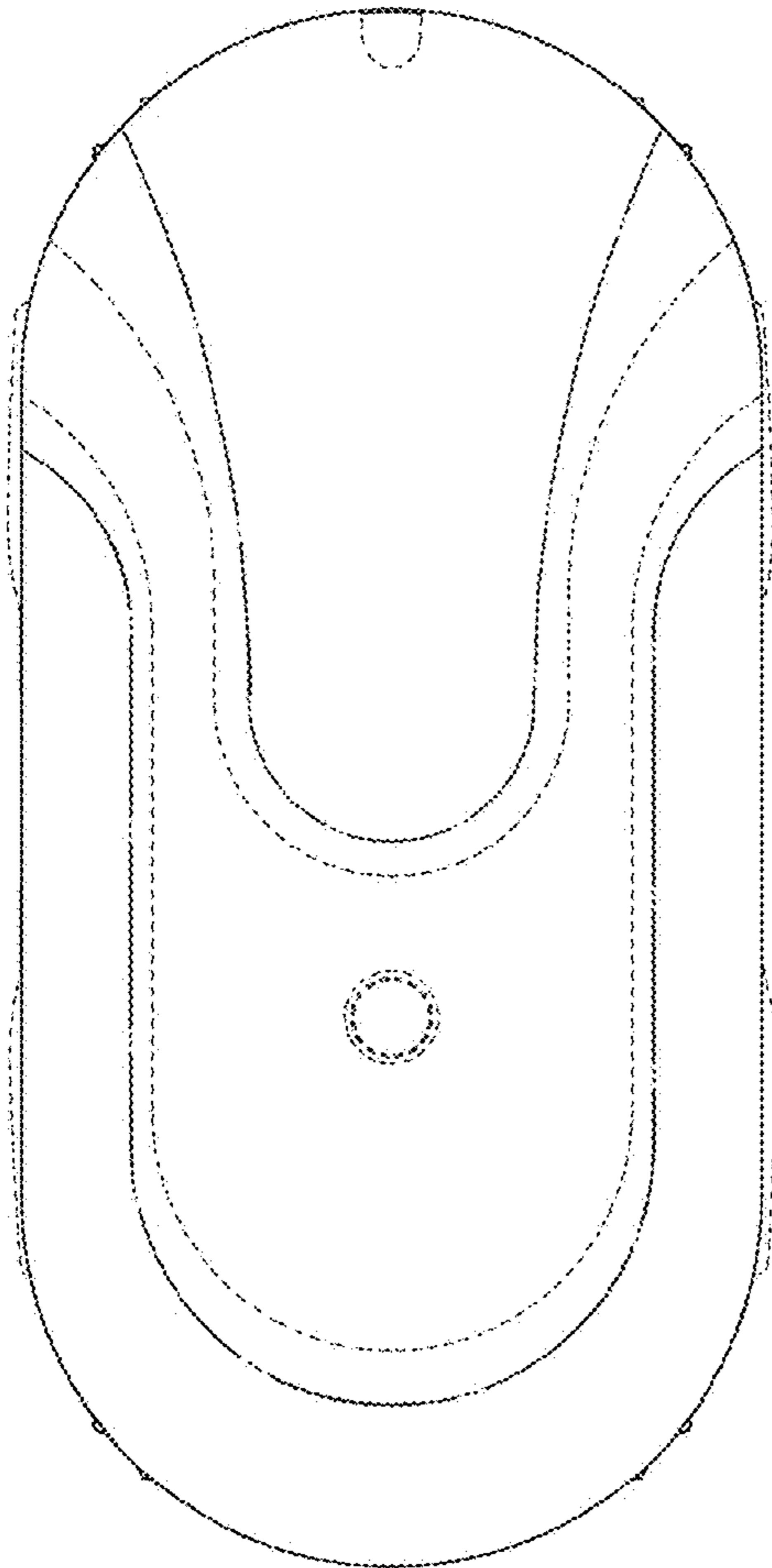


Fig. 2

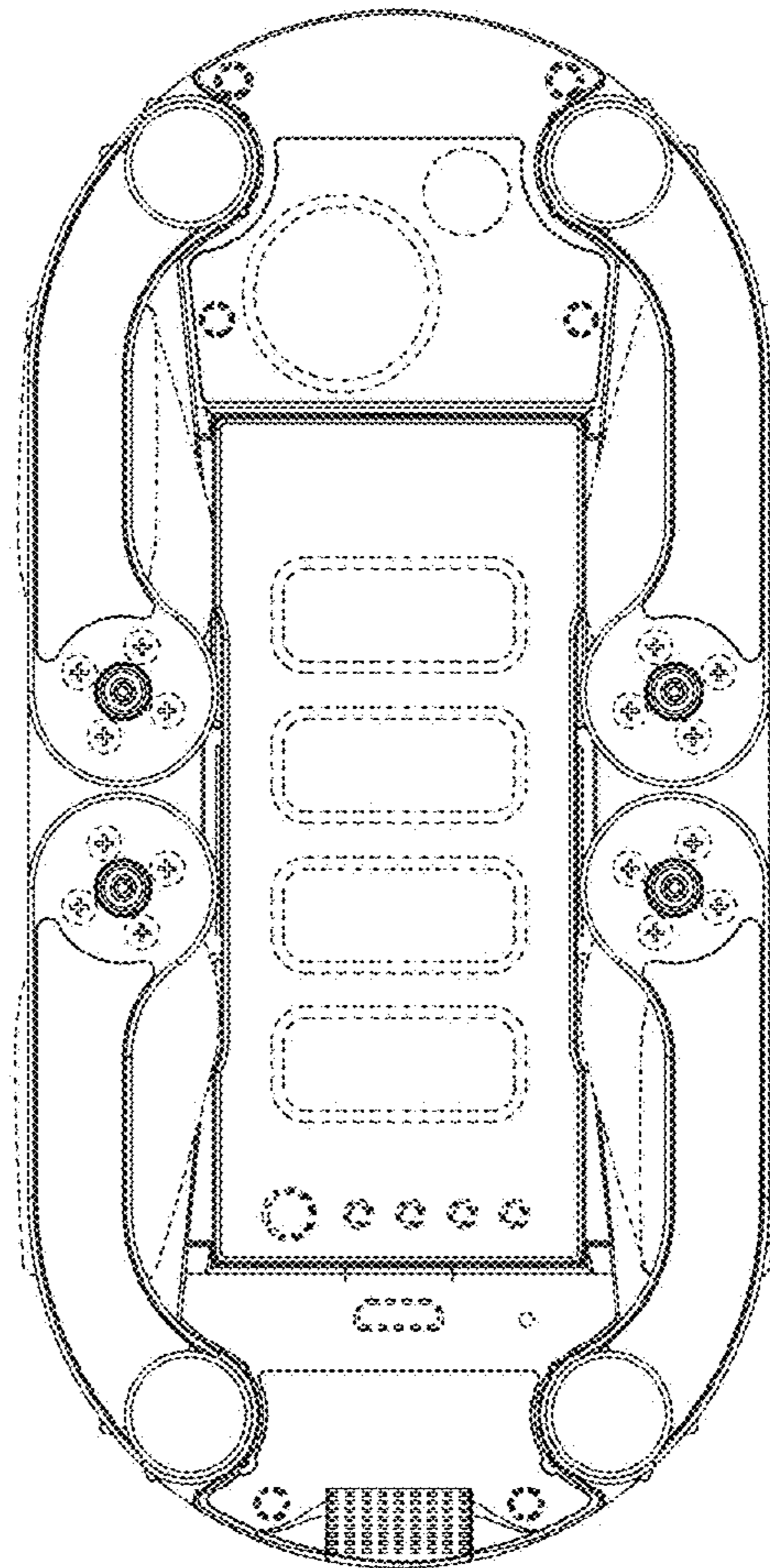


Fig. 3

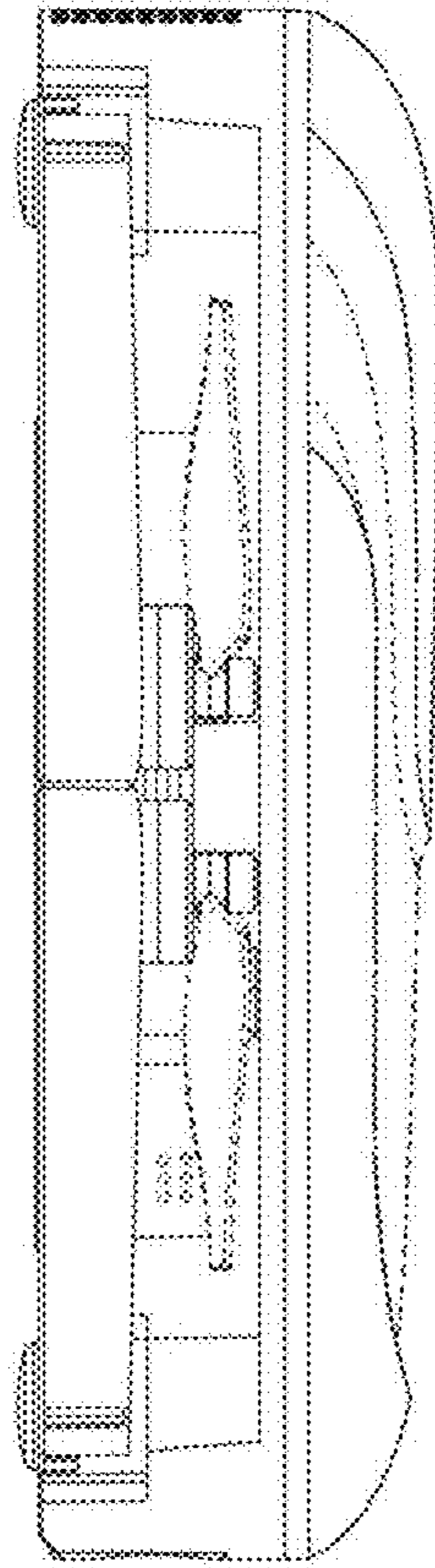


Fig. 4

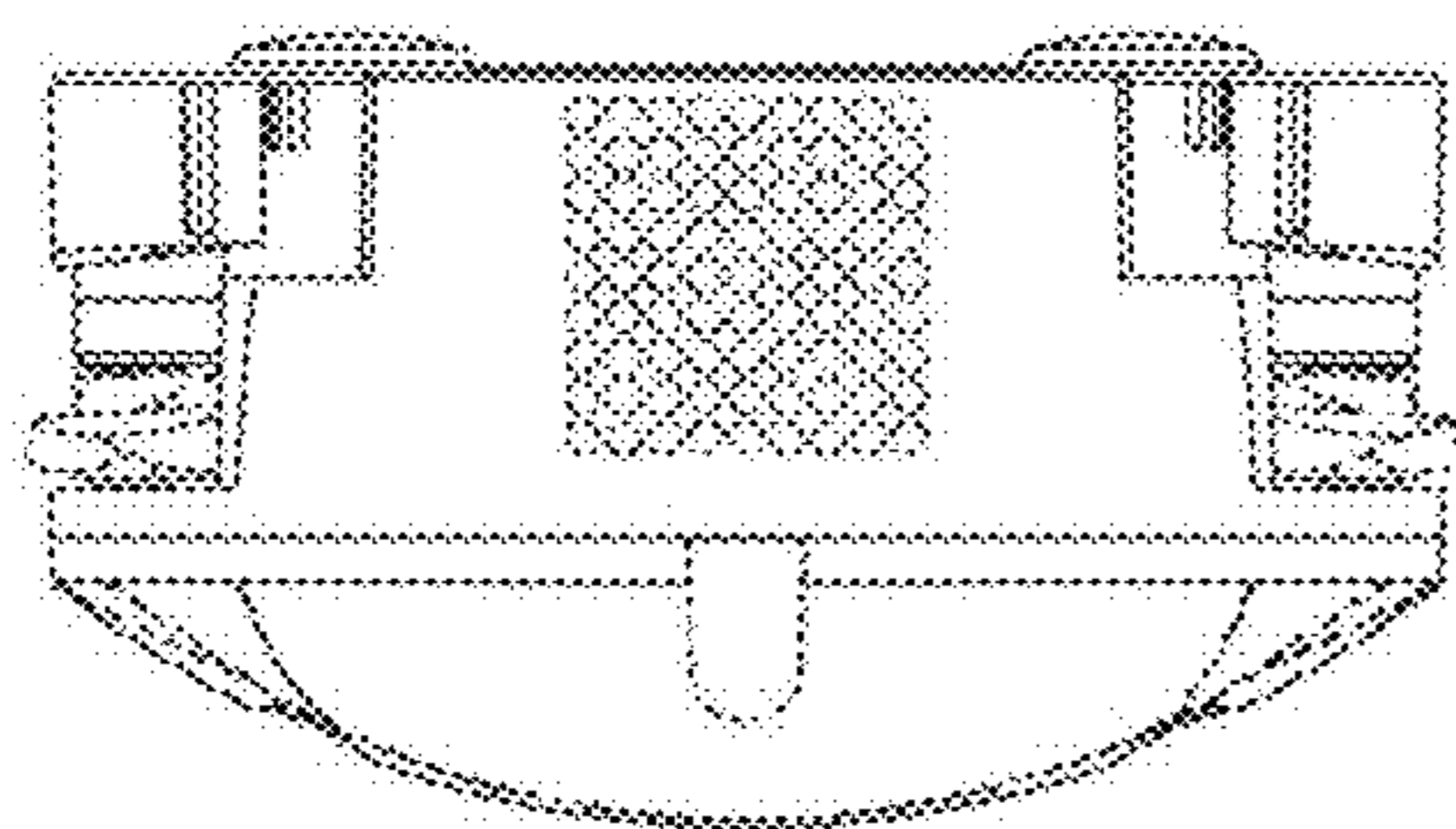


Fig. 5

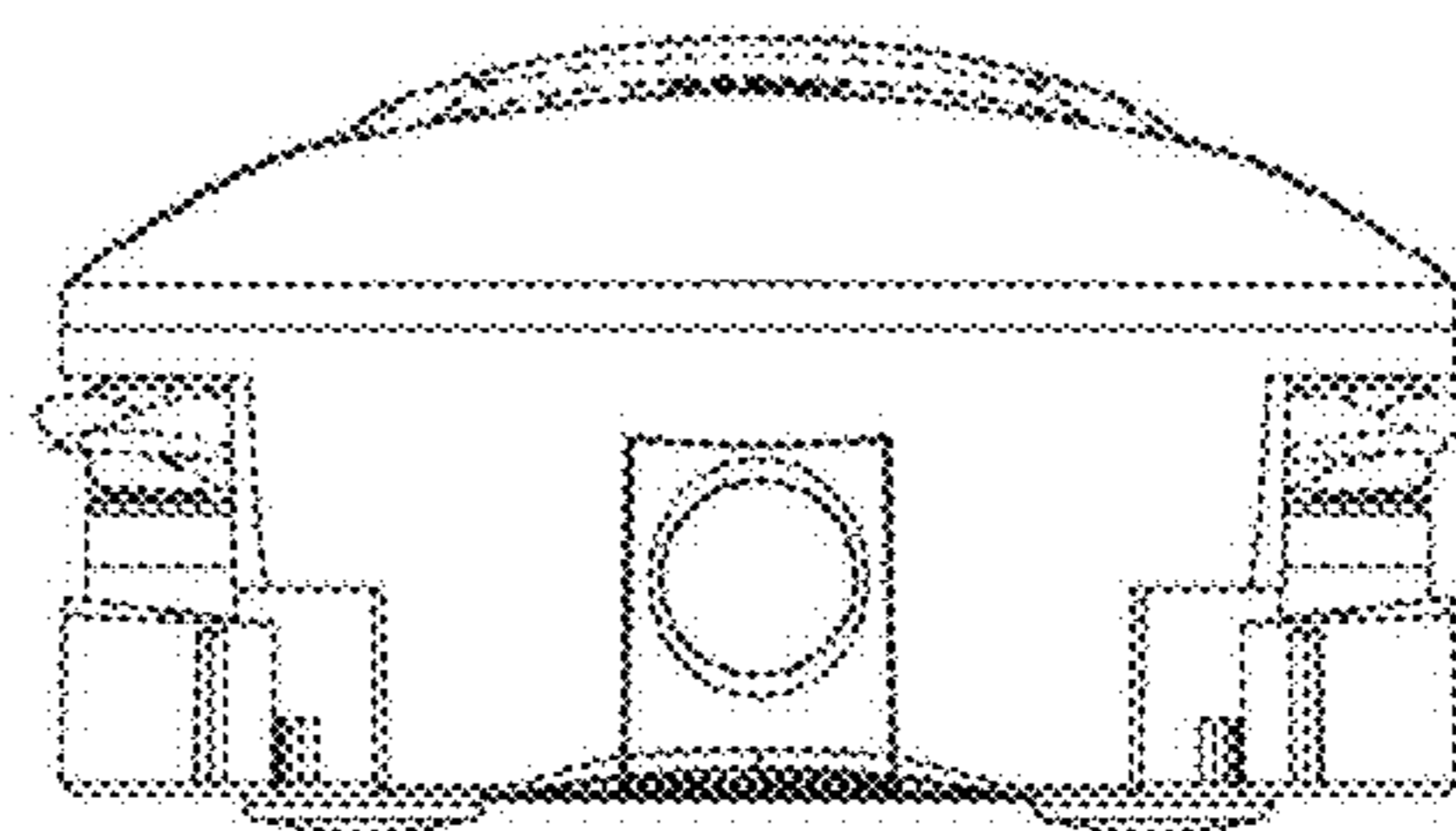


Fig. 6

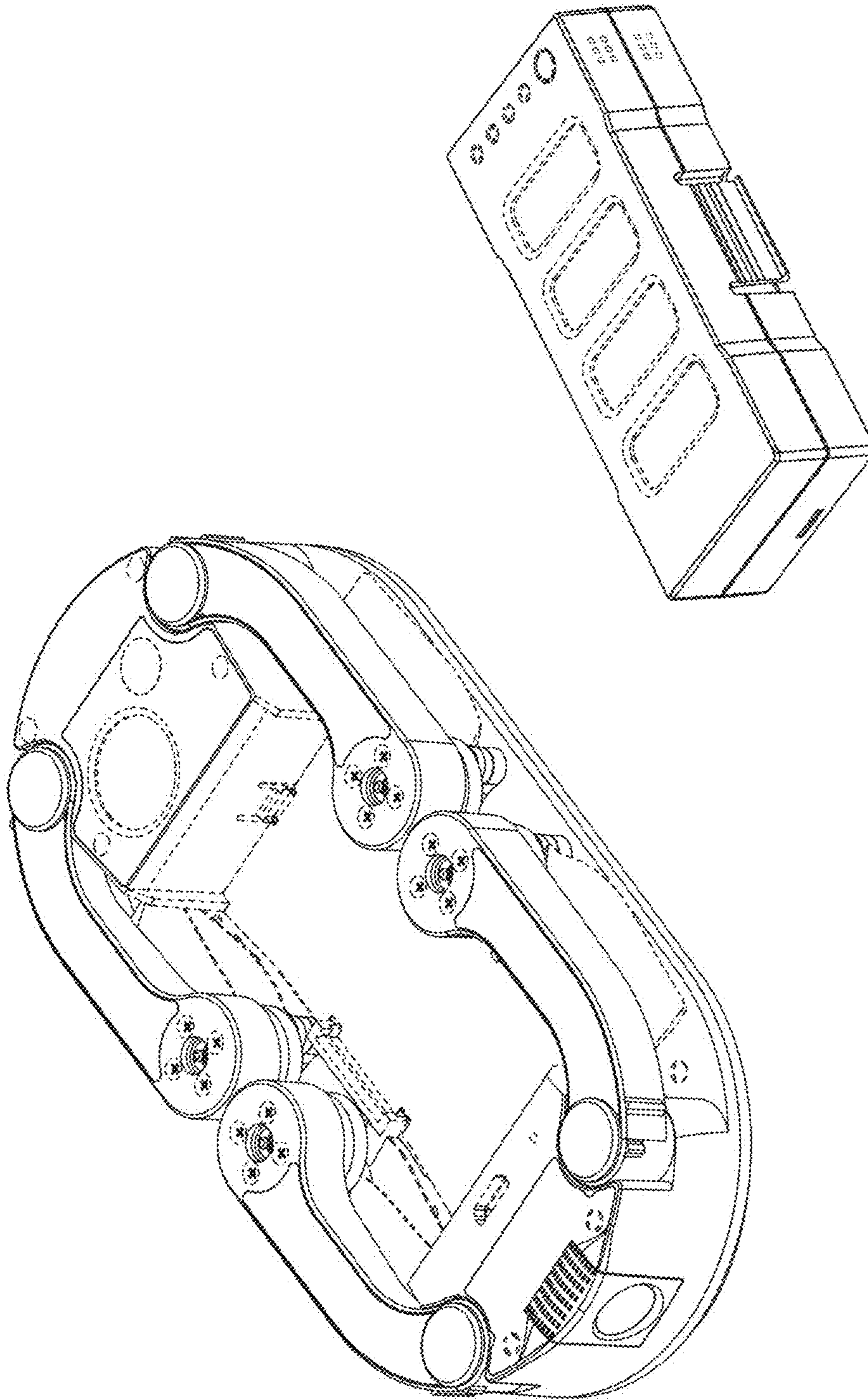


Fig. 7

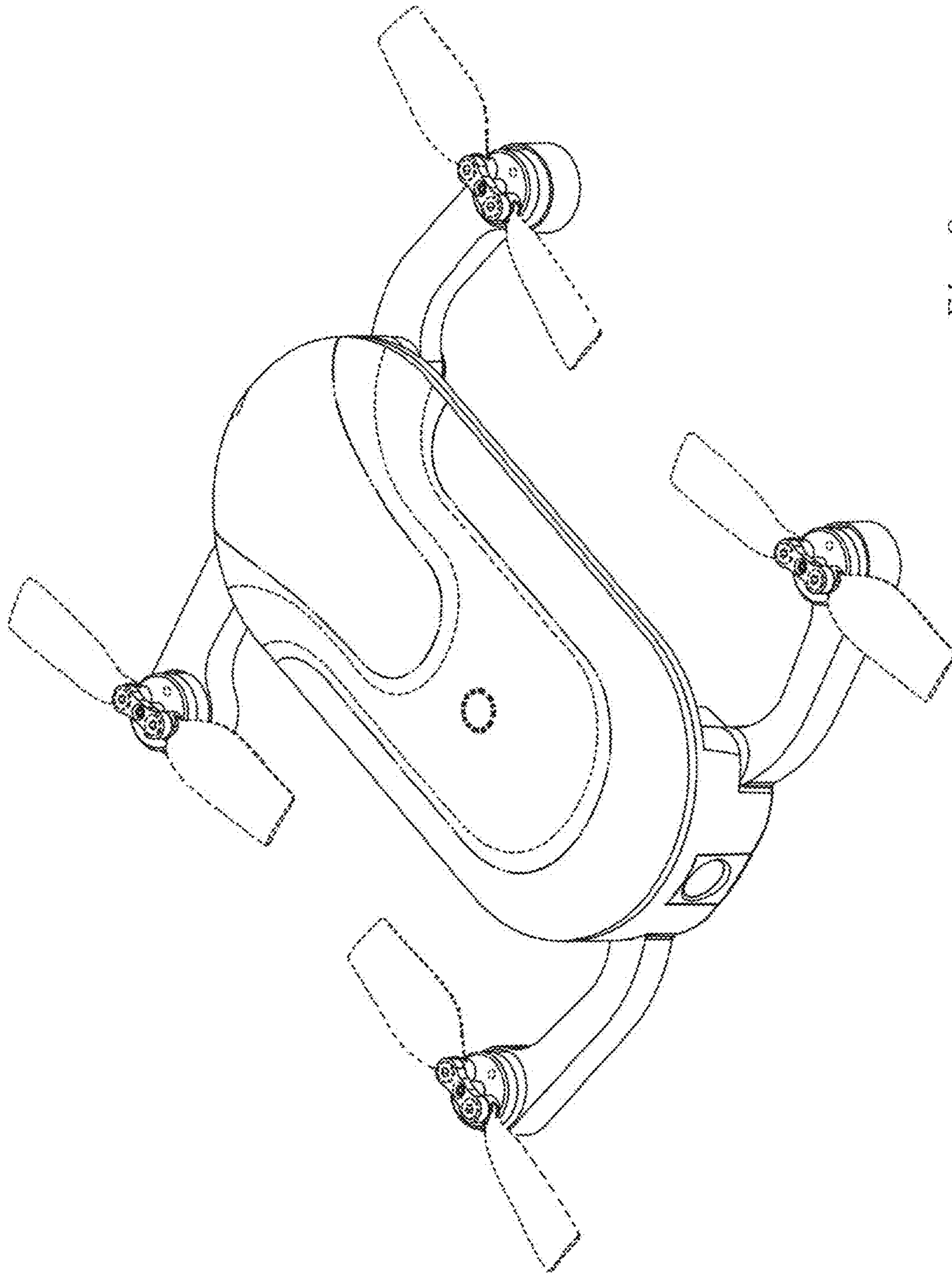


Fig. 8

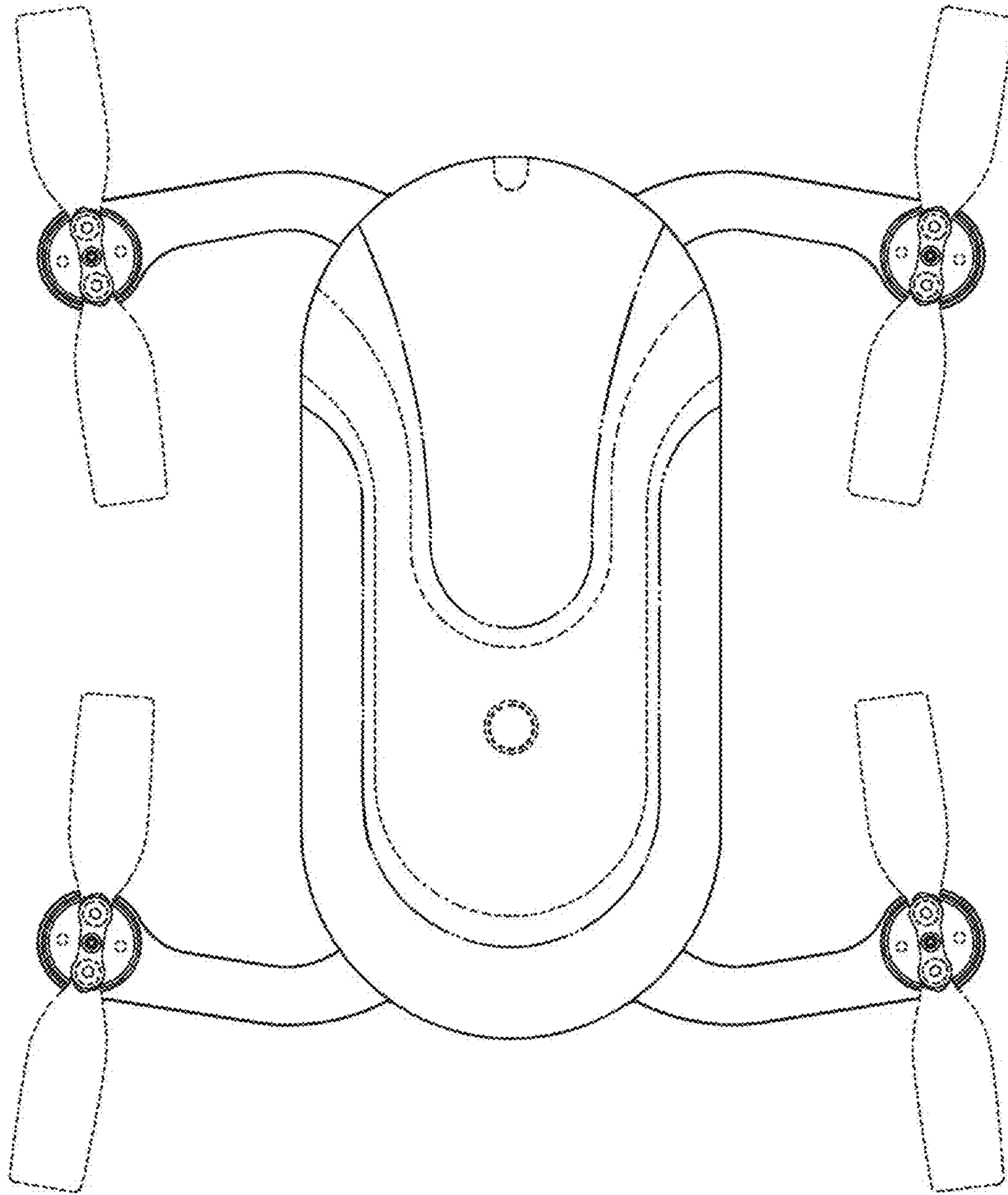


Fig. 9



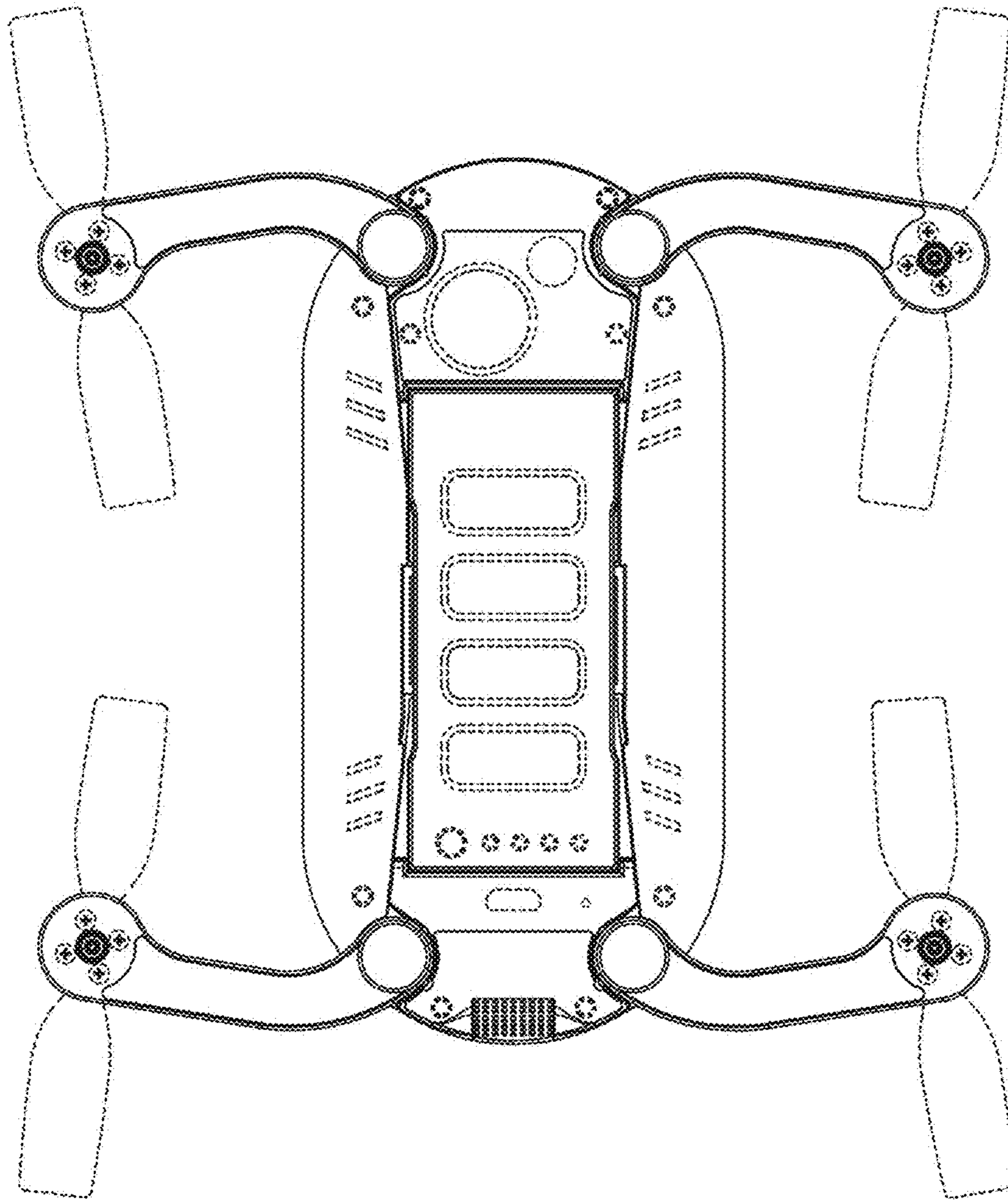


Fig. 10

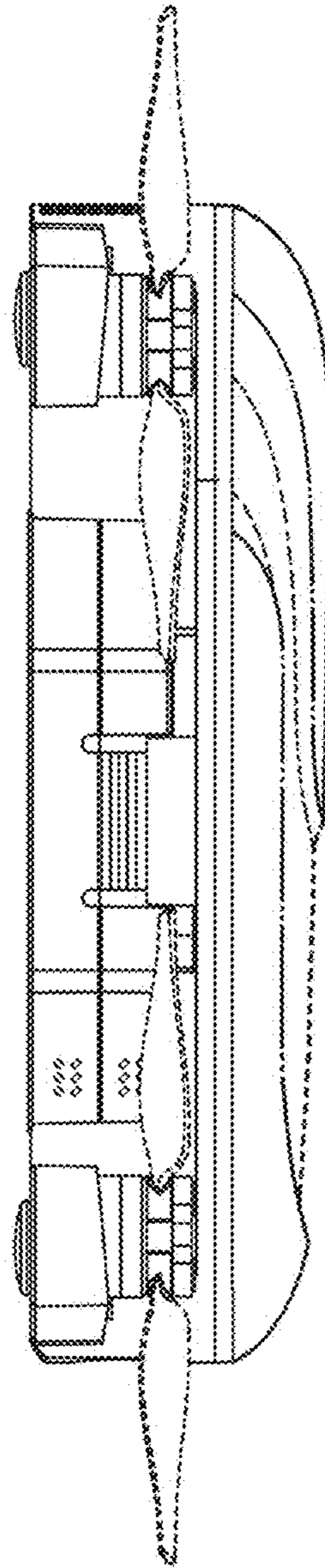


Fig. 11

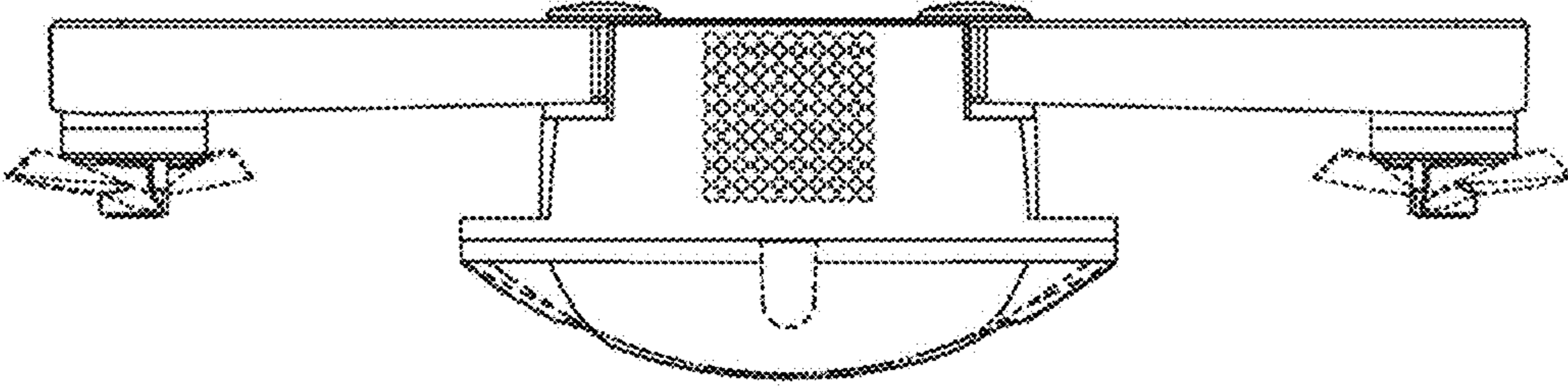


Fig. 12

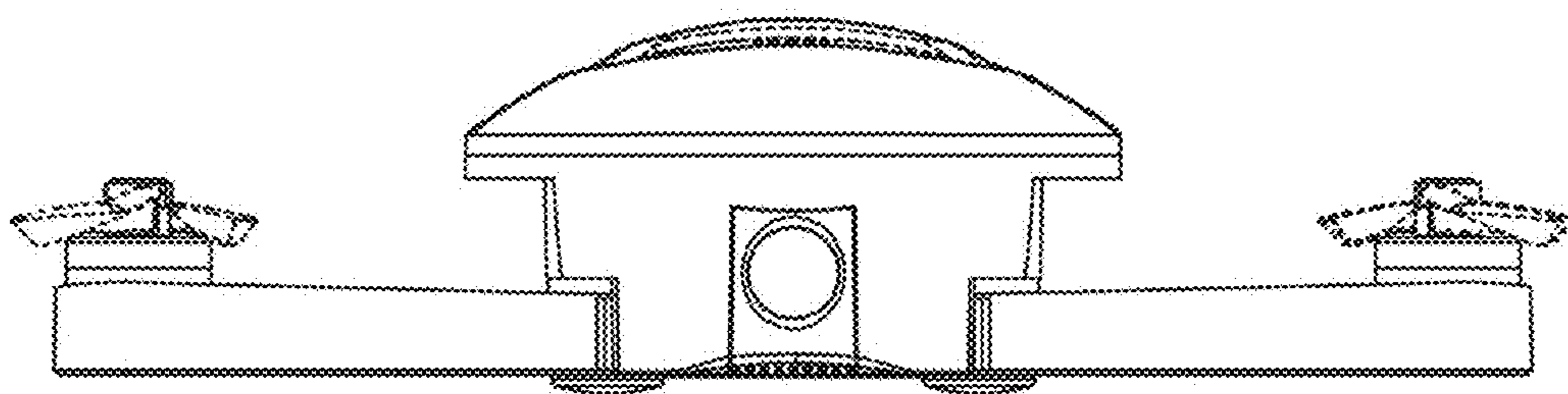


Fig. 13

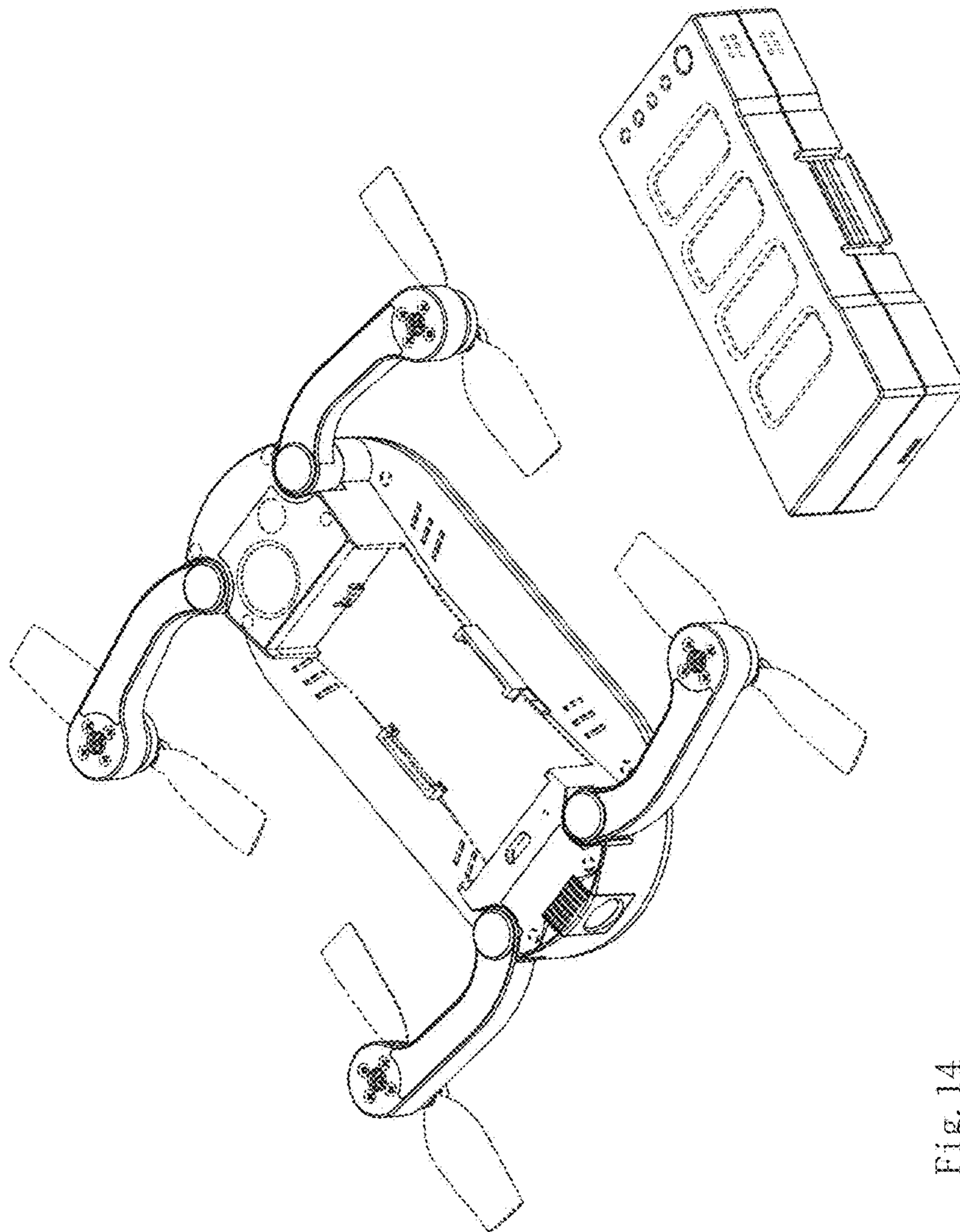


Fig. 14