



US00D805430S

(12) **United States Design Patent** (10) **Patent No.:** **US D805,430 S**
Strong et al. (45) **Date of Patent:** **** Dec. 19, 2017**

(54) **DUMP TRUCK BODY**

(71) Applicants: **Brooks Strong**, Houston, TX (US);
Joshua Cayne Fisher, Montgomery,
TX (US)

(72) Inventors: **Brooks Strong**, Houston, TX (US);
Joshua Cayne Fisher, Montgomery,
TX (US)

(**) Term: **15 Years**

(21) Appl. No.: **29/585,362**

(22) Filed: **Nov. 23, 2016**

(51) **LOC (10) Cl.** **08-10**

(52) **U.S. Cl.**
USPC **D12/15; D15/33**

(58) **Field of Classification Search**
USPC D15/10, 25, 30, 33; D12/15, 93, 94, 1,
D12/5, 22, 98, 196, 14; 414/245, 685,
414/688, 722, 724, 493; 37/403, 413,
37/442, 443, 412
CPC B60P 1/286; B60P 1/28; B60P 1/04; B60P
1/16; B62D 33/02; B62D 33/00
See application file for complete search history.

(56) **References Cited**

U.S. PATENT DOCUMENTS

D204,604 S *	5/1966	Fryer	D12/15
3,923,337 A *	12/1975	Kershaw	B60P 1/286 296/183.2
D265,982 S *	8/1982	Miller	D12/15
D289,748 S *	5/1987	Proeschl	D12/15
D386,128 S *	11/1997	Gerding	D12/15
D429,662 S *	8/2000	Smith	D12/15
D431,221 S *	9/2000	Smith	D12/196
D431,498 S *	10/2000	Smith	D12/15
D435,499 S *	12/2000	Smith	D12/196
D444,753 S *	7/2001	Smith	D12/196
D445,067 S *	7/2001	Musso, Jr.	D12/15
D446,490 S *	8/2001	Musso, Jr.	D12/196

D450,627 S *	11/2001	Musso, Jr.	D12/15
D450,628 S *	11/2001	Musso, Jr.	D12/15
D459,681 S *	7/2002	Turcotte	D12/15
7,207,621 B2 *	4/2007	D'Amico	B60P 1/286 296/183.1
D560,553 S *	1/2008	Vance	D12/15
D578,434 S *	10/2008	Vance	D12/15
D678,123 S *	3/2013	Werner	D12/15
8,770,651 B2 *	7/2014	Hagenbuch	B62D 25/2045 296/184.1
8,882,179 B2 *	11/2014	Kitaguchi	B60P 1/286 296/183.2
D721,988 S *	2/2015	Graber	D12/15

(Continued)

Primary Examiner — Mark Goodwin

(74) *Attorney, Agent, or Firm* — Ronald L. Phillips

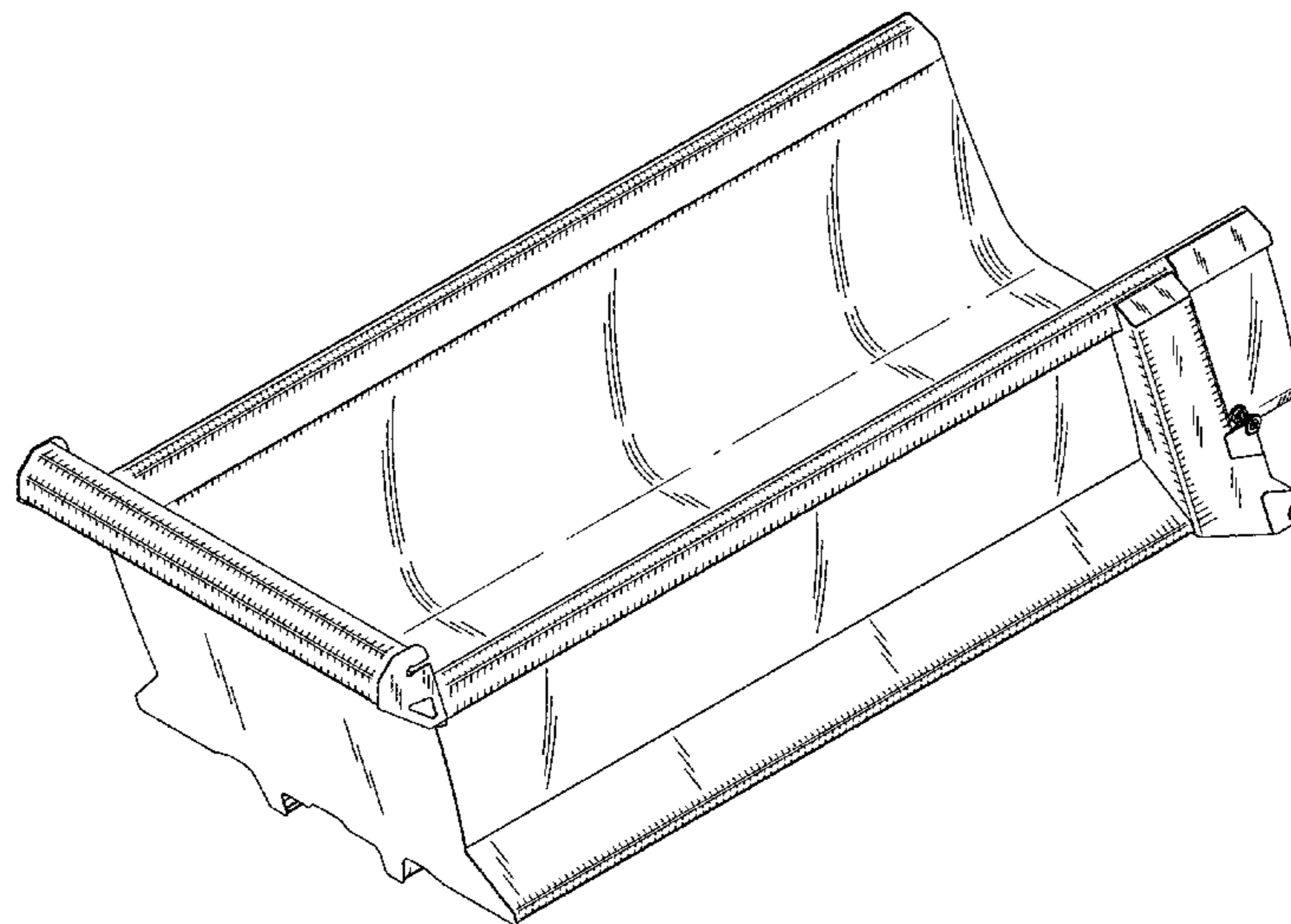
(57) **CLAIM**

The ornamental design for a dump truck body, as shown and described.

DESCRIPTION

FIG. 1 is a left-side elevation view of our ornamental design for a dump truck body with the right-side elevation view being a mirror image thereof and wherein a tail gate of some form for the dump truck body is not shown as it forms no part of our ornamental dump truck body design. FIG. 2 is a top view of the dump truck body. FIG. 3 is a front elevation view of the dump truck body. FIG. 4 is a rear elevation view of the dump truck body. FIG. 5 is a bottom view of the dump truck body. FIG. 6 is a rear overhead isometric view of the dump truck body. FIG. 7 is a front overhead isometric view of the dump truck body. FIG. 8 is a front underside isometric view of the dump truck body; and, FIG. 9 is a rear underside isometric view of the dump truck body.

1 Claim, 6 Drawing Sheets



(56)

References Cited

U.S. PATENT DOCUMENTS

D721,994 S *	2/2015	Graber	D12/173
9,272,652 B2 *	3/2016	Garcia-Huidobro Valdivieso	B60P 1/28
D777,602 S *	1/2017	Ootsuka	D12/15
2013/0043701 A1 *	2/2013	Hagenbuch	B62D 25/2045 296/184.1
2013/0106137 A1 *	5/2013	Kitaguchi	B60P 1/286 296/183.2
2014/0333090 A1 *	11/2014	Garcia-Huidobro Valdivieso	B60P 1/28 296/183.2
2015/0001910 A1 *	1/2015	Natarajan	B60P 1/286 298/1 H

* cited by examiner



Fig. 1

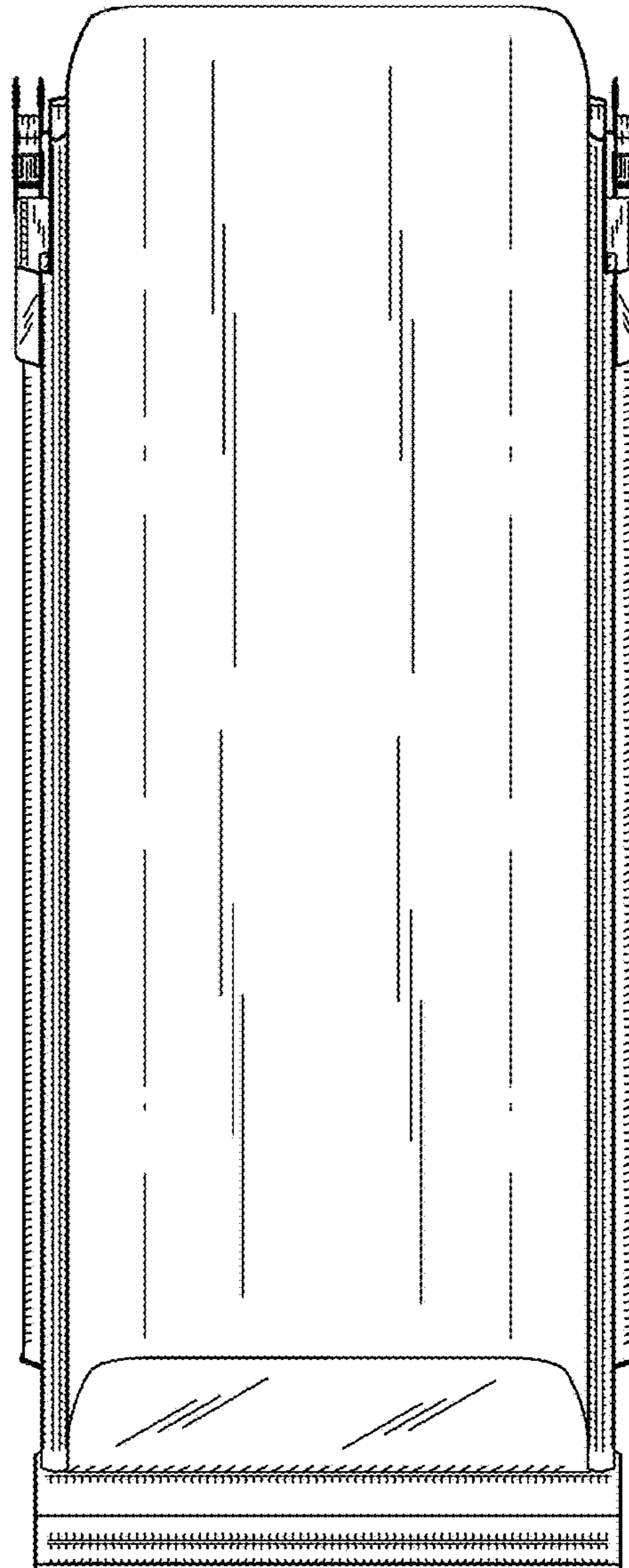


Fig. 2

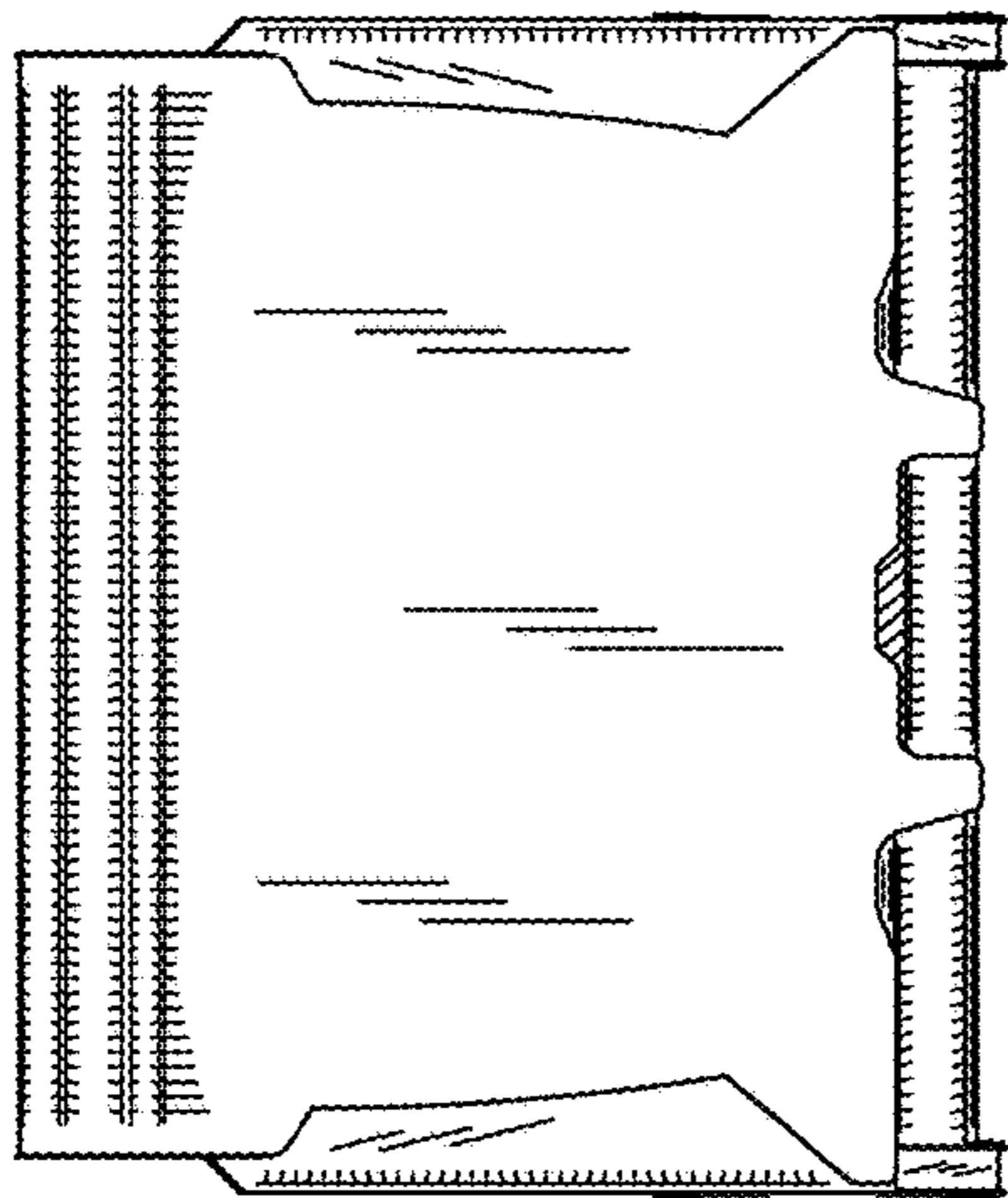


Fig. 3

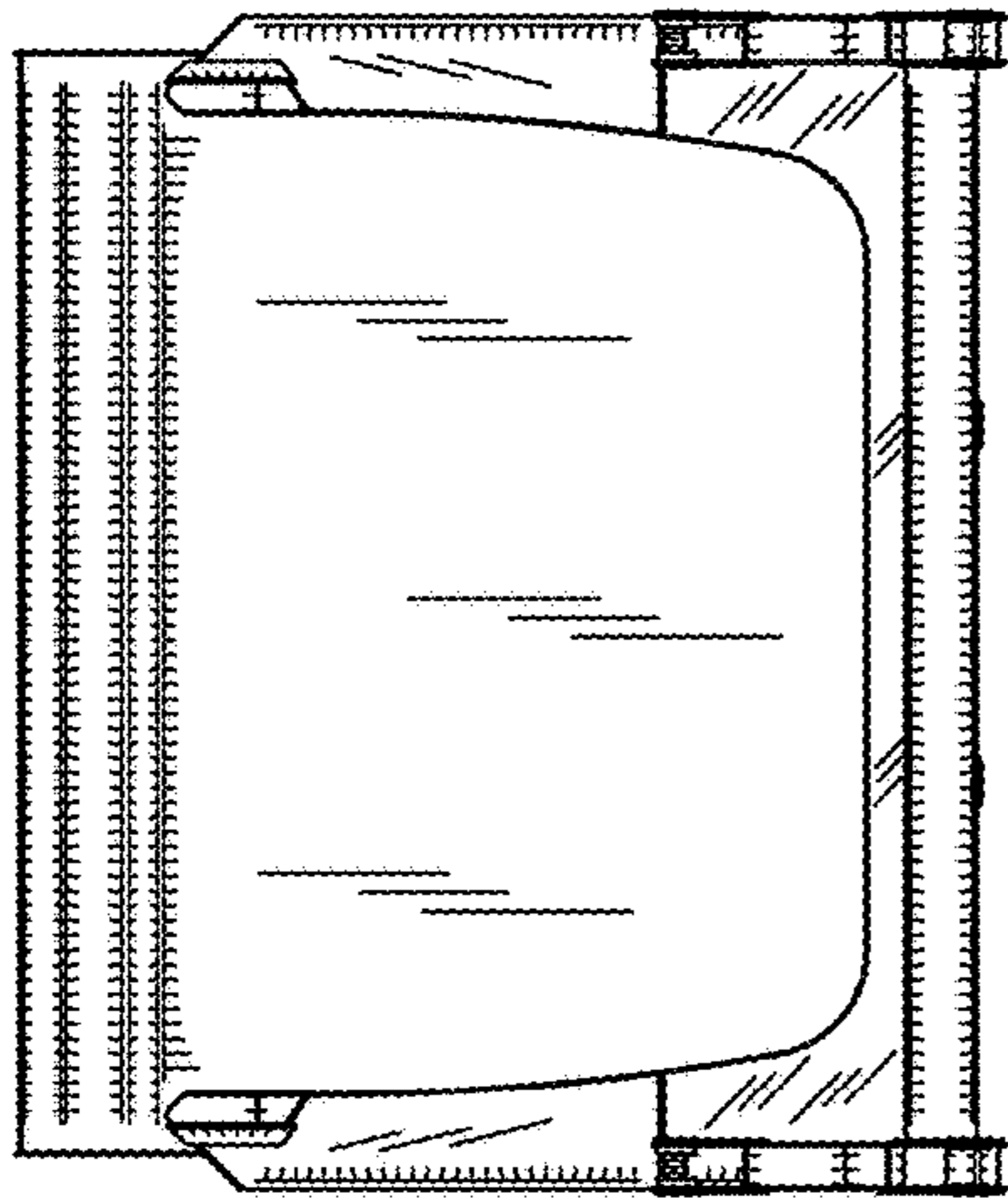


Fig. 4

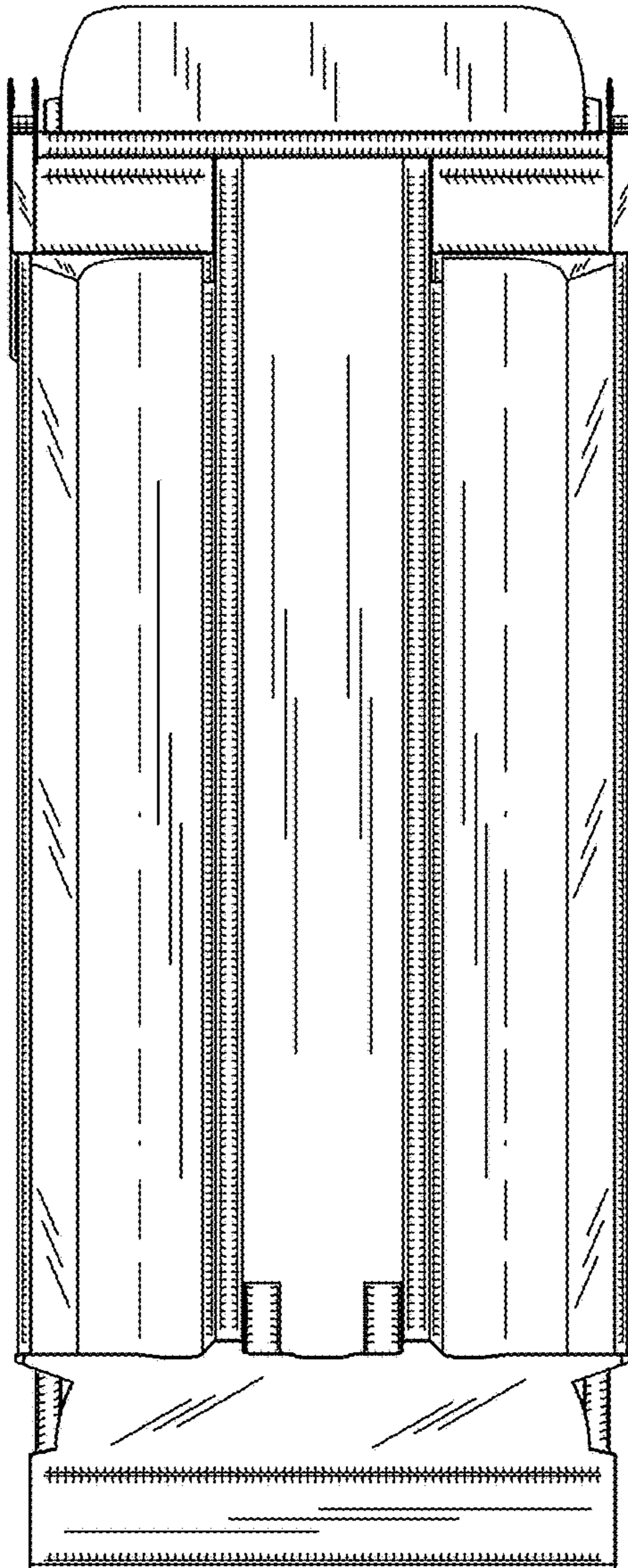


Fig. 5

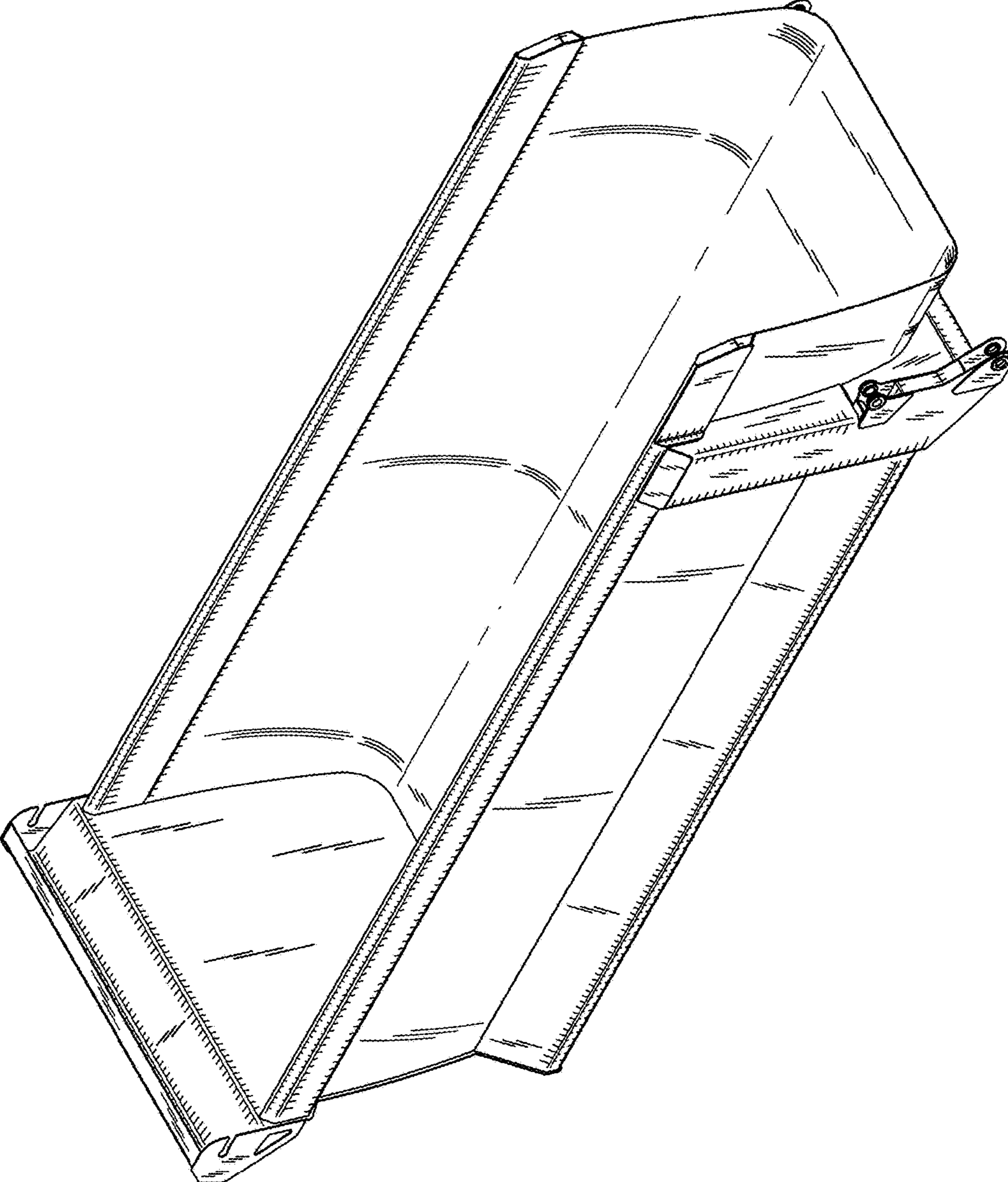


Fig. 6

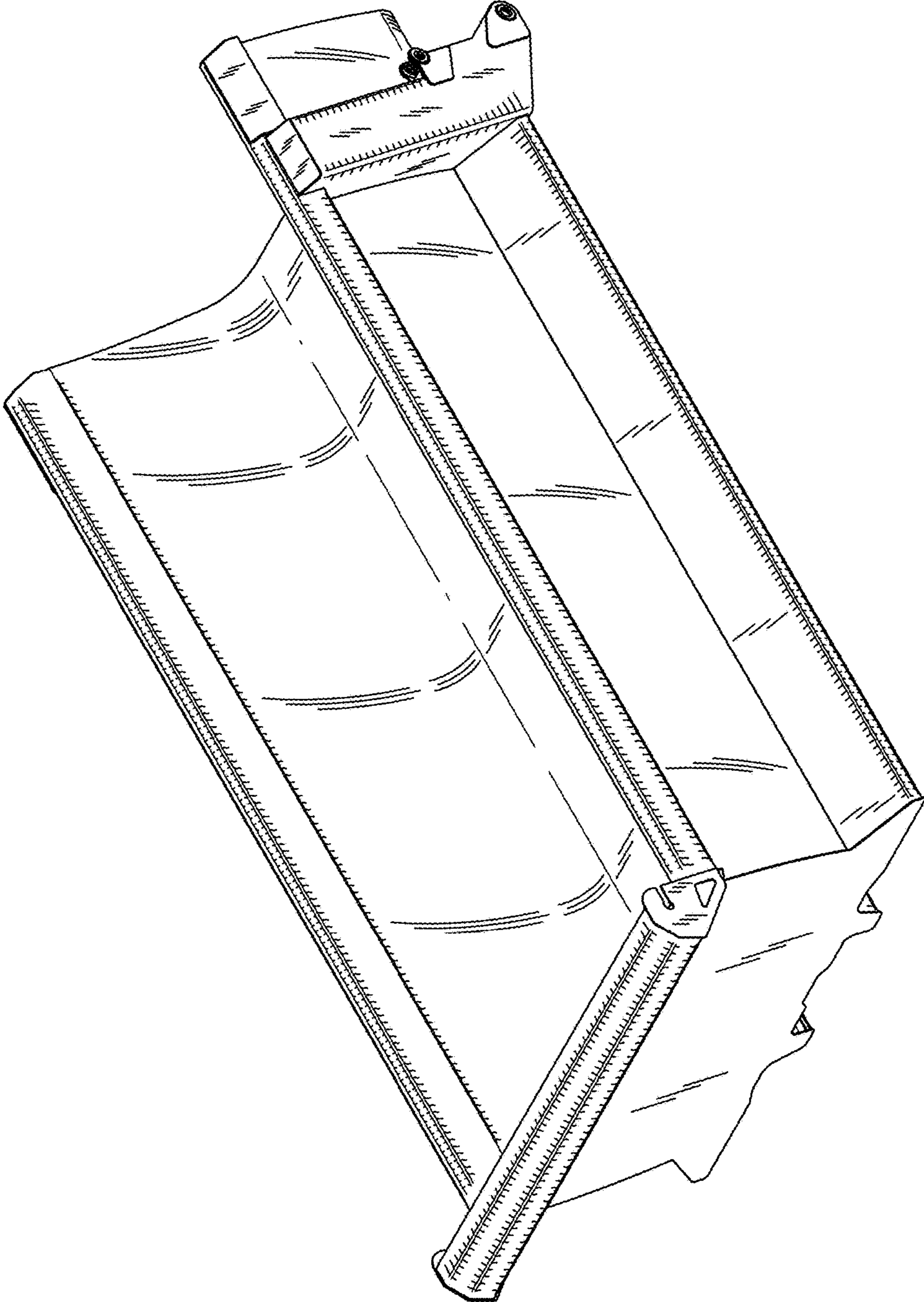


Fig. 7

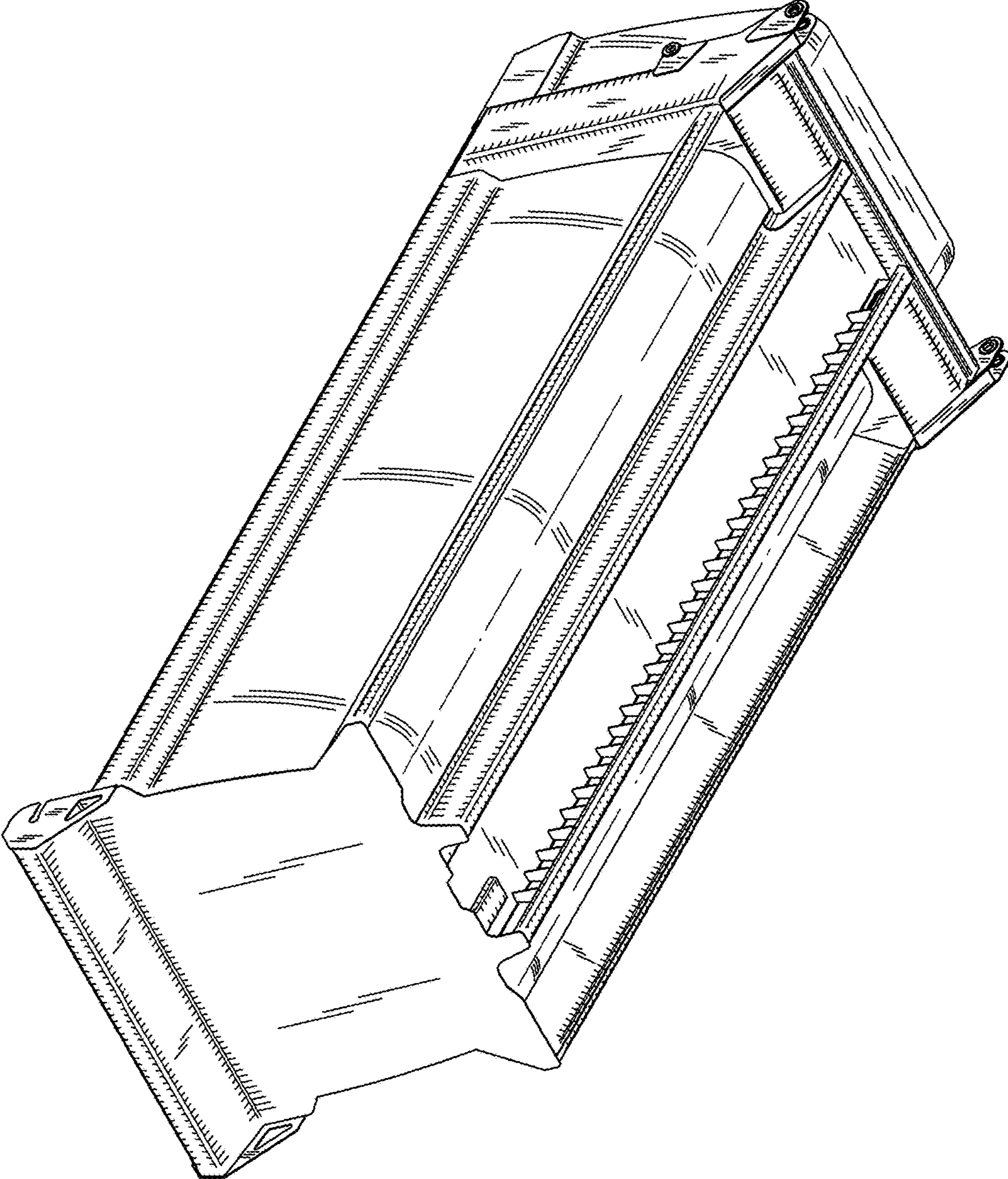


Fig. 8

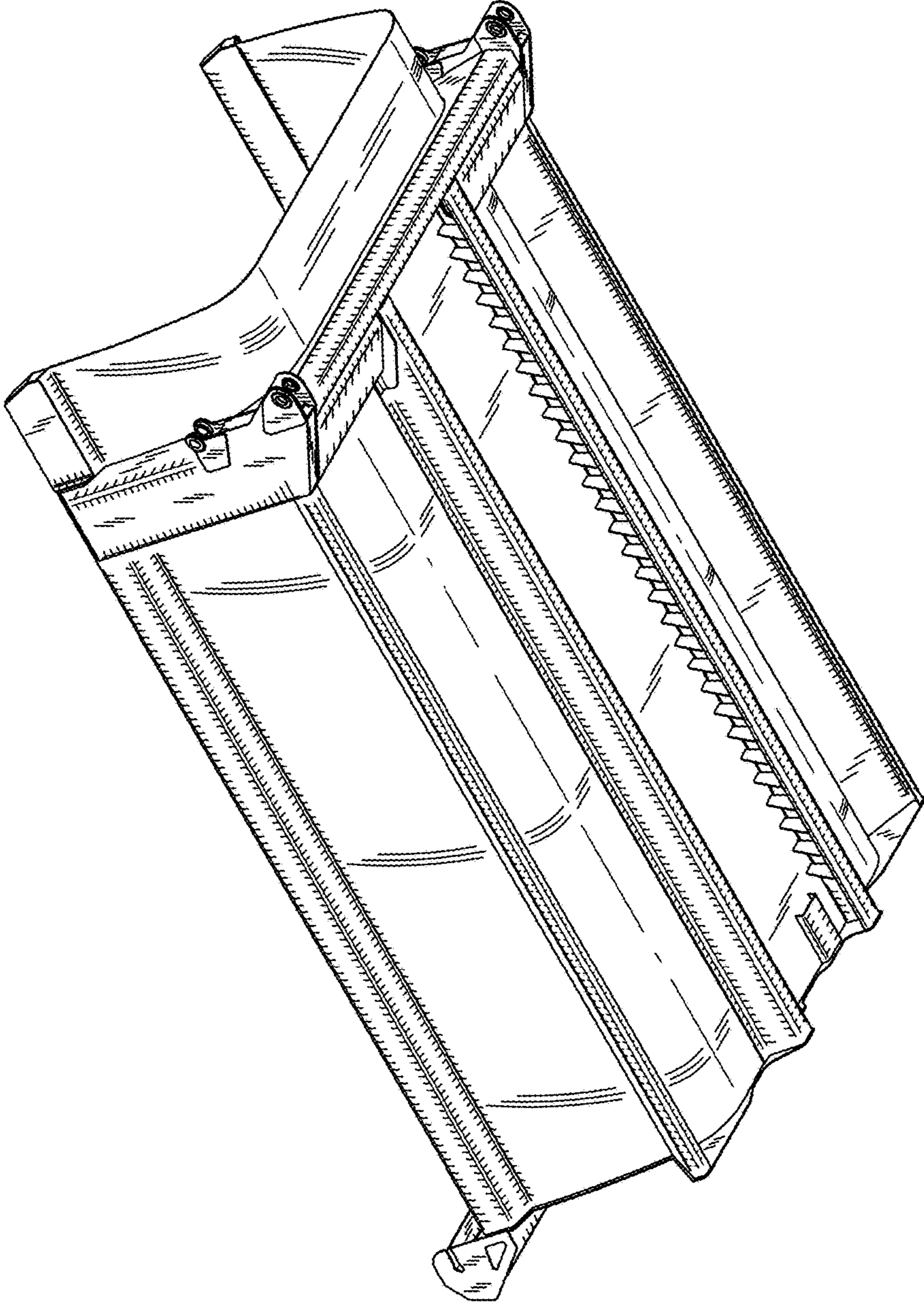


Fig. 9