



US00D805428S

(12) **United States Design Patent**  
**Fulop**

(10) **Patent No.:** **US D805,428 S**

(45) **Date of Patent:** **\*\* Dec. 19, 2017**

(54) **BELT BUCKLE WITH BOTTLE OPENER**

(71) Applicant: **Marino Avenue Inc.**, Brooklyn, NY  
(US)

(72) Inventor: **Isaac Fulop**, Brooklyn, NY (US)

(73) Assignee: **Marino Avenue Inc.**, Brooklyn, NY  
(US)

(\*\*) Term: **15 Years**

(21) Appl. No.: **29/584,336**

(22) Filed: **Nov. 14, 2016**

(51) **LOC (10) Cl.** ..... **02-07**

(52) **U.S. Cl.**  
USPC ..... **D11/218**

(58) **Field of Classification Search**  
USPC ..... D11/1-2, 200-201, 206-210, 212-219;  
24/163 R, 169-171, 173, 177-179, 191,  
24/194-195, 197, 198, 200, 614-616,  
24/625, 630, 578.11, 578.1, 163 K, 114;  
D8/349, 395, 356  
CPC ..... A44B 11/06; A44B 11/26; A44B 11/25;  
A41F 11/04  
See application file for complete search history.

(56) **References Cited**

**U.S. PATENT DOCUMENTS**

- 1,405,516 A \* 2/1922 Humphreys ..... A44B 11/28  
139/88
- 1,899,203 A \* 2/1933 Labreche ..... A44C 15/00  
7/151
- 2,017,551 A \* 10/1935 Statter ..... A61F 13/64  
24/186
- 2,078,651 A \* 4/1937 Crocker, Jr. .... A44B 11/223  
24/173
- 2,369,225 A \* 2/1945 George ..... A44B 11/125  
24/193
- 2,470,606 A \* 5/1949 Dennison ..... A44B 11/005  
24/178

- 3,084,411 A \* 4/1963 Lindblad ..... A44B 11/2526  
24/193
- 3,432,895 A \* 3/1969 Yost ..... A44B 11/006  
24/265 R
- 3,818,548 A \* 6/1974 Meyerson ..... A44B 11/06  
24/170
- 4,384,390 A \* 5/1983 Hayakawa ..... A44B 11/005  
224/163

(Continued)

**OTHER PUBLICATIONS**

Marino Men's Casual Belt, Amazon.com, Date first available at Amazon.com: Sep. 29, 2016, [online], [site visited Sep. 26, 2017]. <URL: [https://www.amazon.com/Marino-casual-military-bottle-El-egant/dp/B01LXOOREN/ref=sr\\_1\\_1\\_sspa?ie=UTF8&qid=1506462020&sr=8-1-spons&keywords=buckle+bottle+opener&psc=1](https://www.amazon.com/Marino-casual-military-bottle-El-egant/dp/B01LXOOREN/ref=sr_1_1_sspa?ie=UTF8&qid=1506462020&sr=8-1-spons&keywords=buckle+bottle+opener&psc=1)> (Year: 2017).\*

(Continued)

*Primary Examiner* — T. Chase Nelson  
*Assistant Examiner* — Jonathan J. Han  
(74) *Attorney, Agent, or Firm* — Amster, Rothstein & Ebenstein LLP

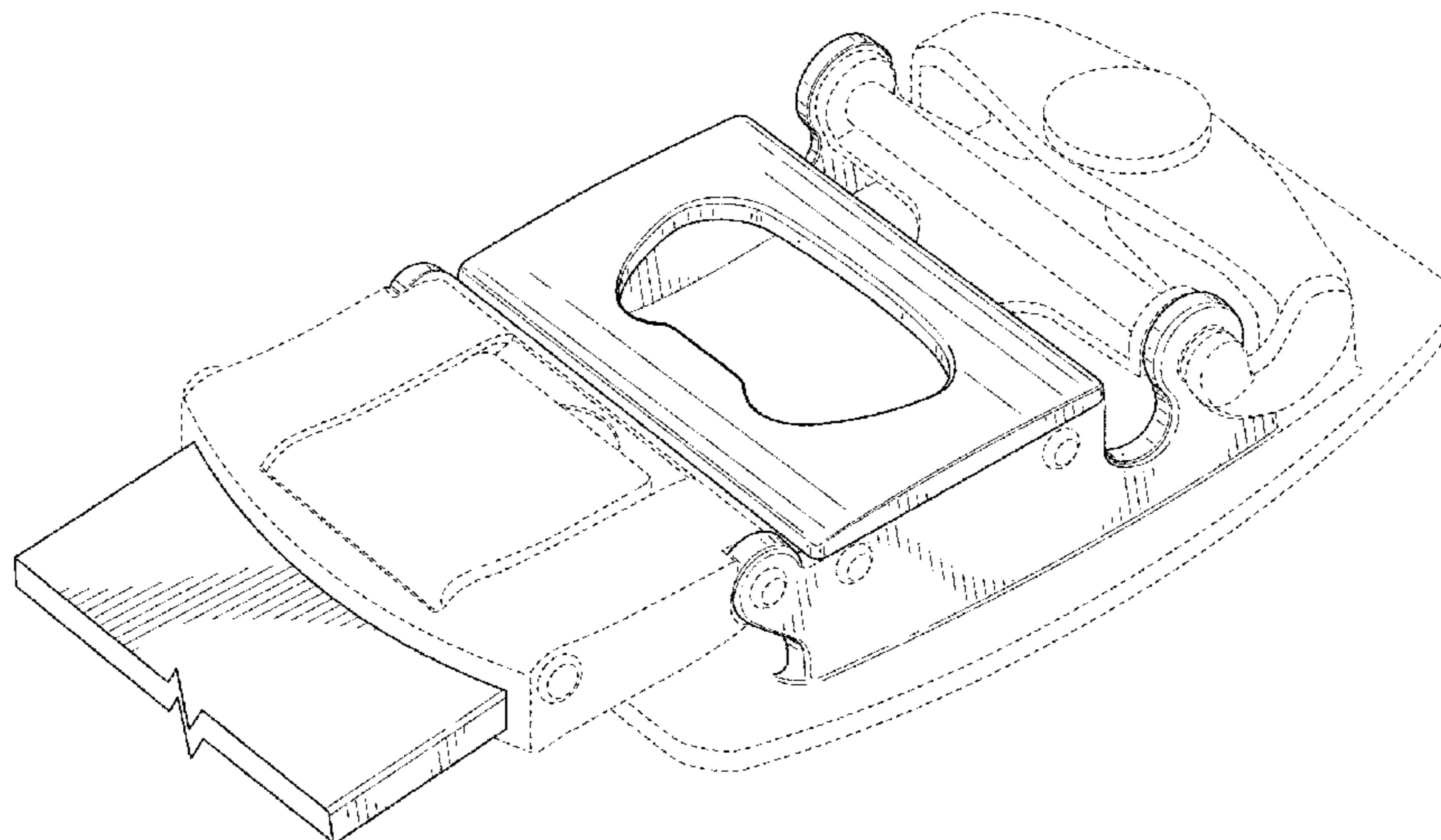
(57) **CLAIM**

The ornamental design for a belt buckle with bottle opener, as shown and described.

**DESCRIPTION**

FIG. 1 is a bottom perspective view of the belt buckle with bottle opener showing the present design. FIG. 2 is a bottom plan view thereof. FIG. 3 is a top plan view thereof. FIG. 4 is a right side view thereof. FIG. 5 is a left side view thereof. FIG. 6 is a front view thereof; and, FIG. 7 is a rear view thereof. The portions of the design shown in broken lines being for the purpose of illustrating environment only and form no part of the claimed design.

**1 Claim, 5 Drawing Sheets**



(56)

References Cited

U.S. PATENT DOCUMENTS

6,023,816 A \* 2/2000 Okada ..... A44C 5/24  
24/265 WS  
6,185,772 B1 \* 2/2001 Bates ..... A44B 11/005  
7/151  
D470,794 S \* 2/2003 Eddy ..... D11/201  
D474,713 S \* 5/2003 Eddy ..... D11/201  
D579,819 S \* 11/2008 Brown ..... D11/231  
D579,820 S \* 11/2008 Brown ..... D11/231  
D637,464 S \* 5/2011 Chenelia ..... D11/235  
D680,903 S \* 4/2013 Chan ..... D11/218  
D714,185 S \* 9/2014 Kelleghan ..... D11/218  
D717,145 S \* 11/2014 Tang ..... D11/218  
D730,133 S \* 5/2015 Sun ..... D8/35  
D748,529 S \* 2/2016 Paik ..... D11/216  
D748,530 S \* 2/2016 Paik ..... D11/216  
D776,568 S \* 1/2017 Taylor ..... D11/216  
2009/0126171 A1 \* 5/2009 Gopal ..... A44B 11/125  
24/68 CD  
2010/0000061 A1 \* 1/2010 Gopal ..... A44B 11/125  
24/68 CD  
2015/0114184 A1 \* 4/2015 Green ..... B67B 7/16  
81/3.27  
2016/0219986 A1 \* 8/2016 Fiedler ..... A44B 11/008  
2016/0332858 A1 \* 11/2016 Caudle ..... B67B 7/44  
2017/0196315 A1 \* 7/2017 Hung ..... A44B 11/2546

OTHER PUBLICATIONS

Marino Men's Jeans Plaque Belt, Amazon.com, Date first available at Amazon.com: Oct. 10, 2016, [online], [site visited Sep. 26, 2017]. <URL: [https://www.amazon.com/Marino-Plague-Genuine-Leather-Bottle/dp/B01M6UUONV/ref=sr\\_1\\_62?ie=UTF8&qid=1506462263&sr=8-62&keywords=buckle+bottle+opener](https://www.amazon.com/Marino-Plague-Genuine-Leather-Bottle/dp/B01M6UUONV/ref=sr_1_62?ie=UTF8&qid=1506462263&sr=8-62&keywords=buckle+bottle+opener)> (Year: 2017).\*

Marino Genuine Leather Belt, Amazon.com, Date first available at Amazon.com: Nov. 15, 2016, [online], [site visited Sep. 26, 2017]. <URL: [https://www.amazon.com/Marino-Genuine-Leather-Casual-Ratchet/dp/B01N75800N/ref=sr\\_1\\_97\\_sspa?ie=UTF8&qid=1506463198&sr=8-97-spons&keywords=buckle+bottle+opener&psc](https://www.amazon.com/Marino-Genuine-Leather-Casual-Ratchet/dp/B01N75800N/ref=sr_1_97_sspa?ie=UTF8&qid=1506463198&sr=8-97-spons&keywords=buckle+bottle+opener&psc)> (Year: 2017).\*

Military Style Buckles with Much More to Offer!, SoCalBelts.com, Posted on Feb. 6, 2014, [online], [site visited Sep. 26, 2017]. <URL: <http://www.socalbelts.com/news/tag/flip-top-belt-buckles/>> (Year: 2017).\*

Puma Golf Mens Cuadrado 2.0 Web Belt 908324 Webbing Strap Bottle Opener Buckle, Ebay.com, [online], [site visited Sep. 26, 2017]. <URL: <http://www.ebay.com/itm/Puma-Golf-Mens-Cuadrado-2-0-Web-Belt-908324-Webbing-Strap-Bottle-Opener-Buckle-/311673479957>> (Year: 2017).\*

Mission Belt Co., "Automatic Belt", Aug. 12, 2012, [online] <<https://missionbelt.com/blogs/mbco/15865008-automatic-belt>>, retrieved Nov. 11, 2016.

\* cited by examiner

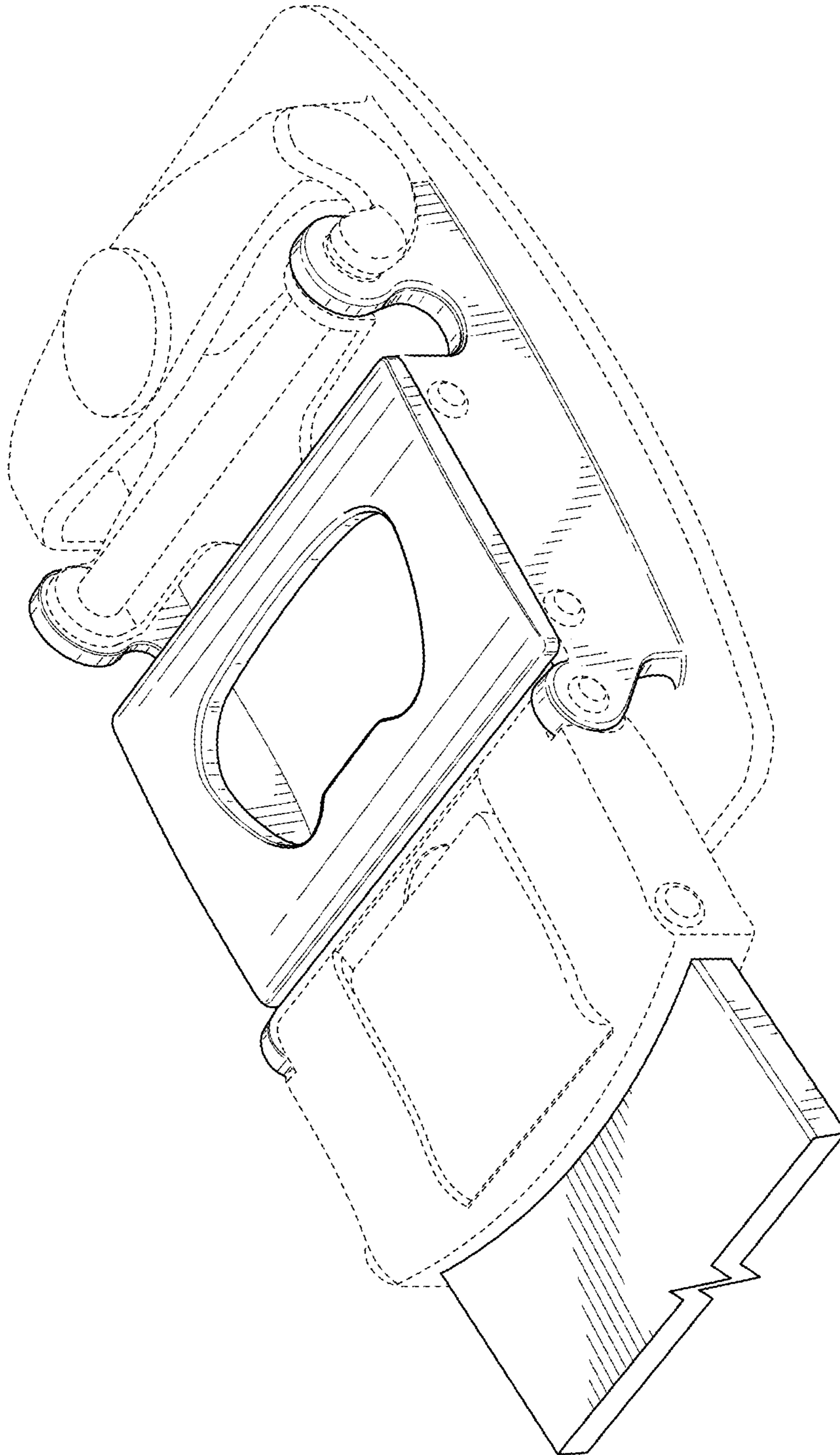
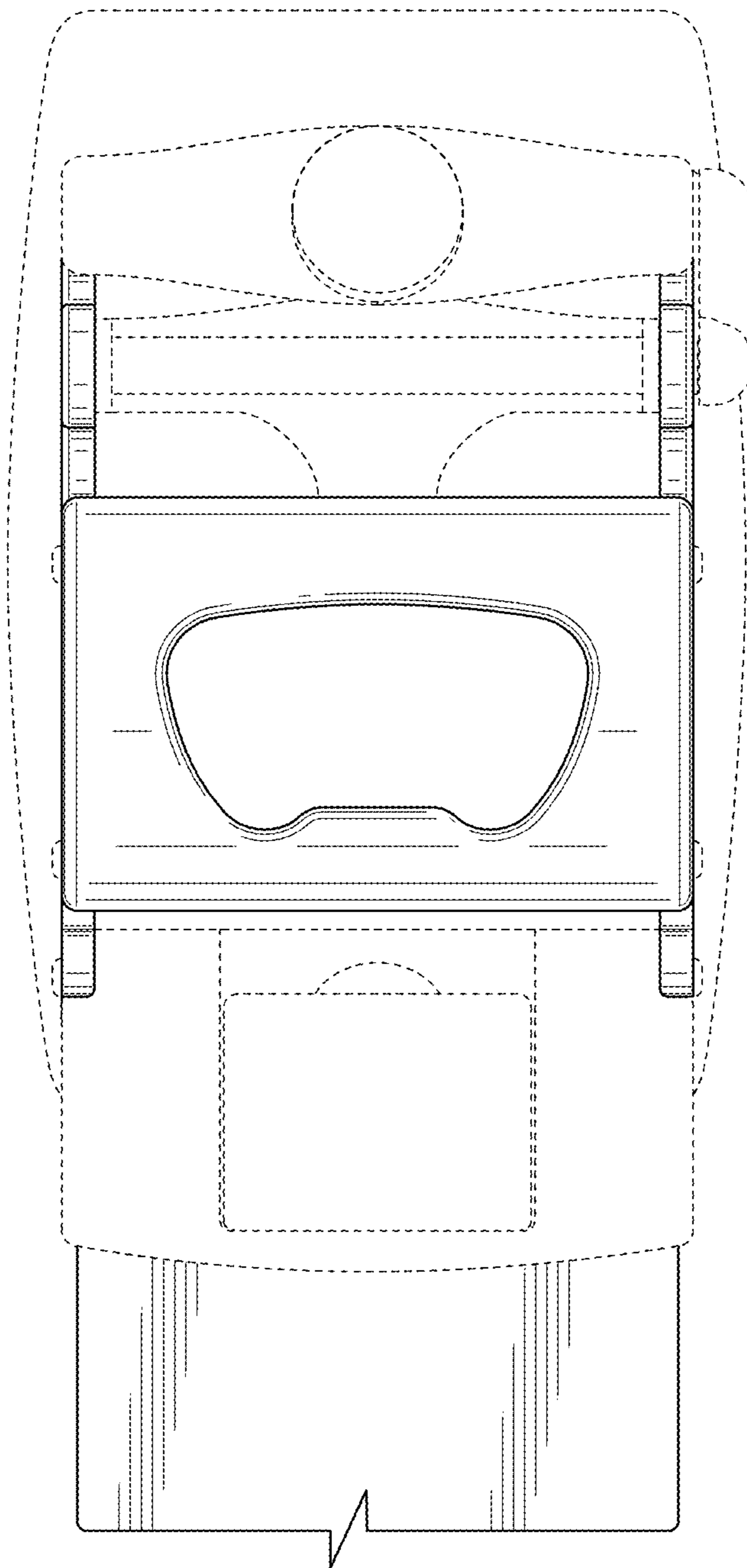
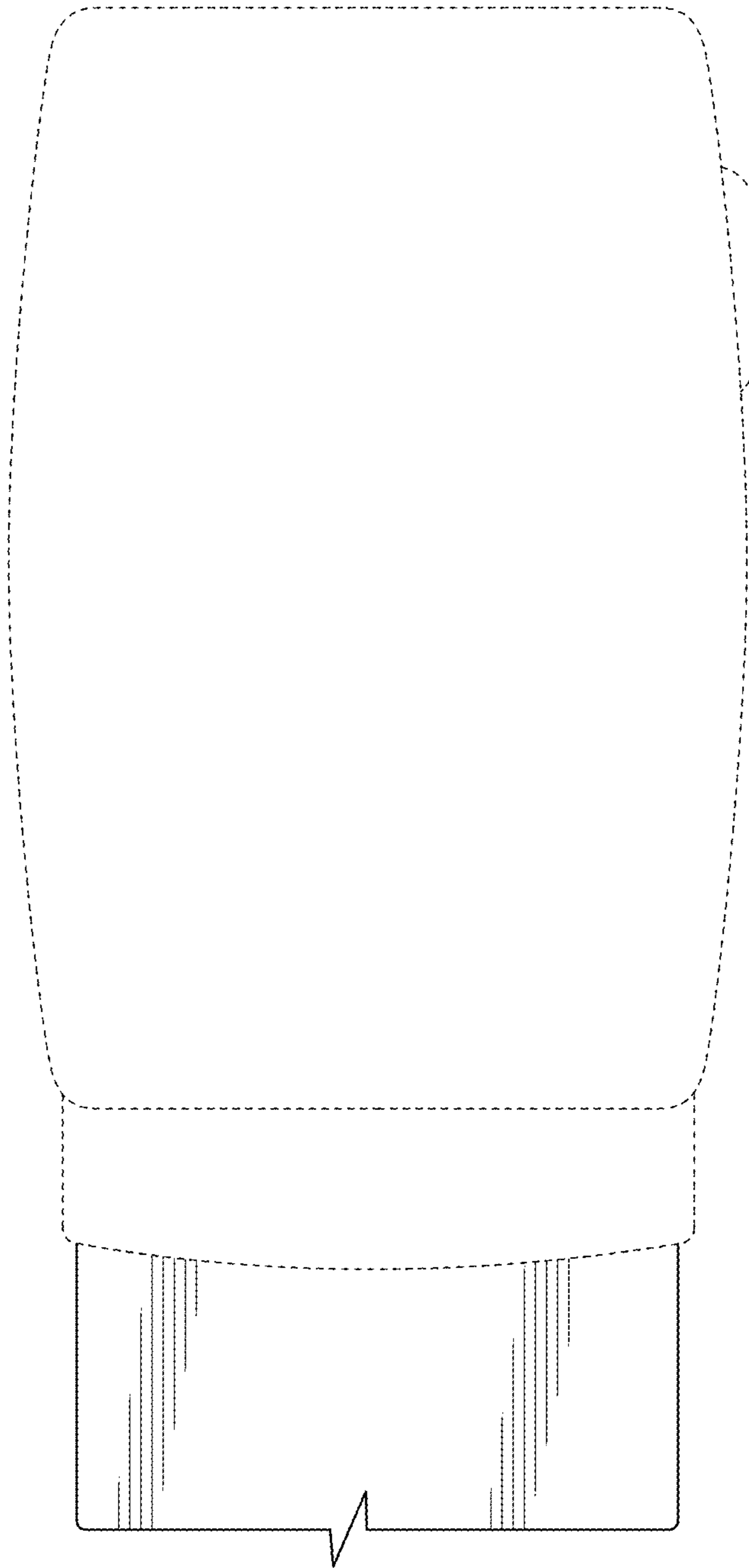


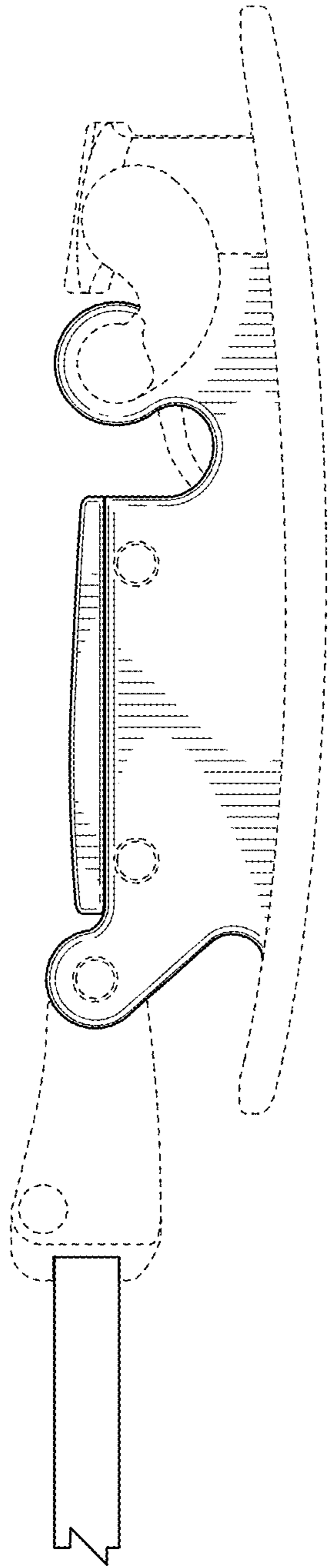
FIG. 1



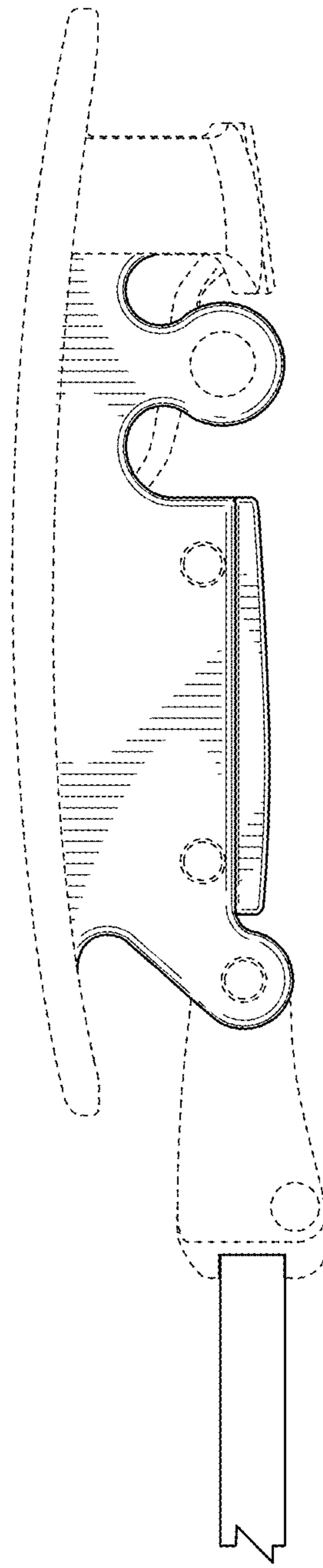
**FIG. 2**



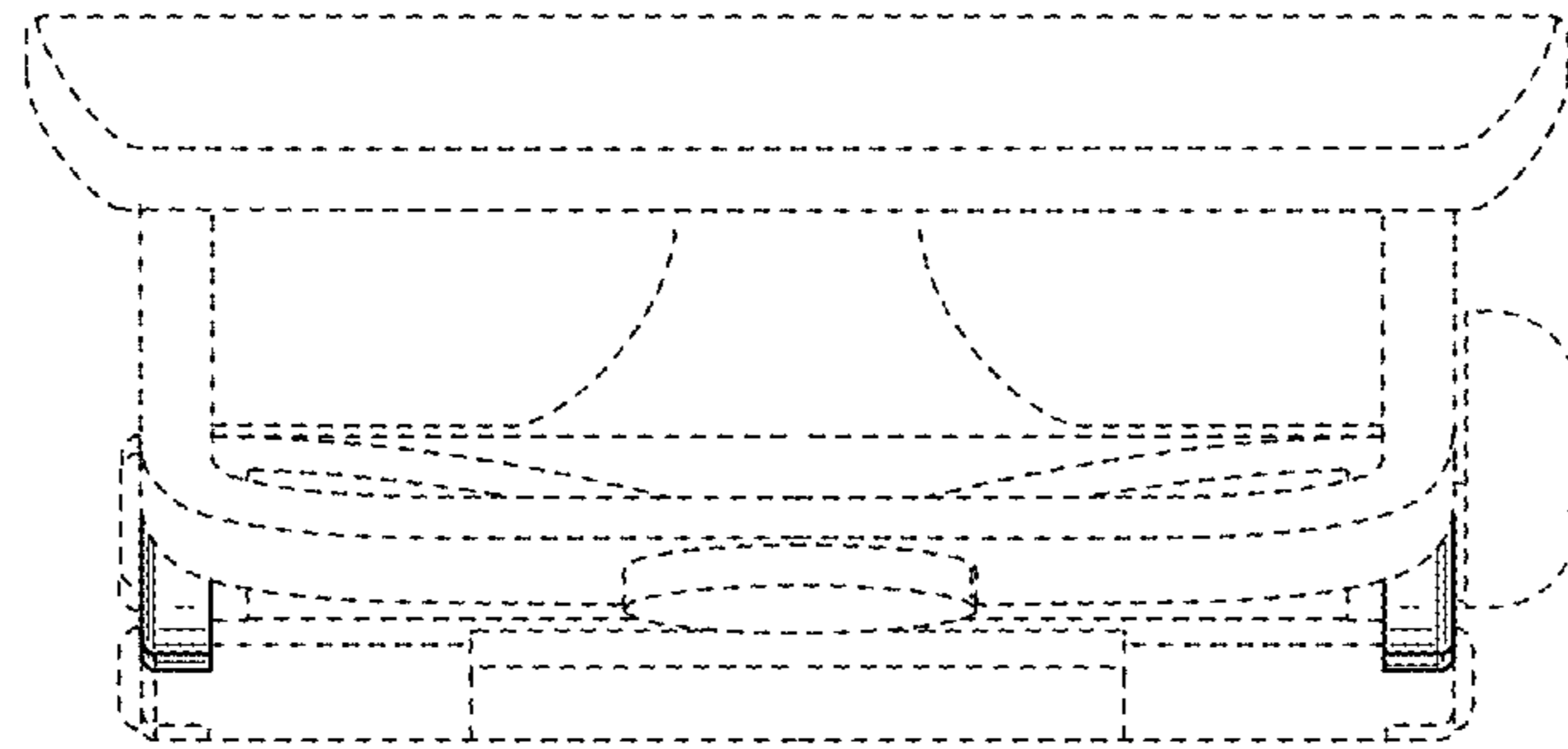
**FIG. 3**



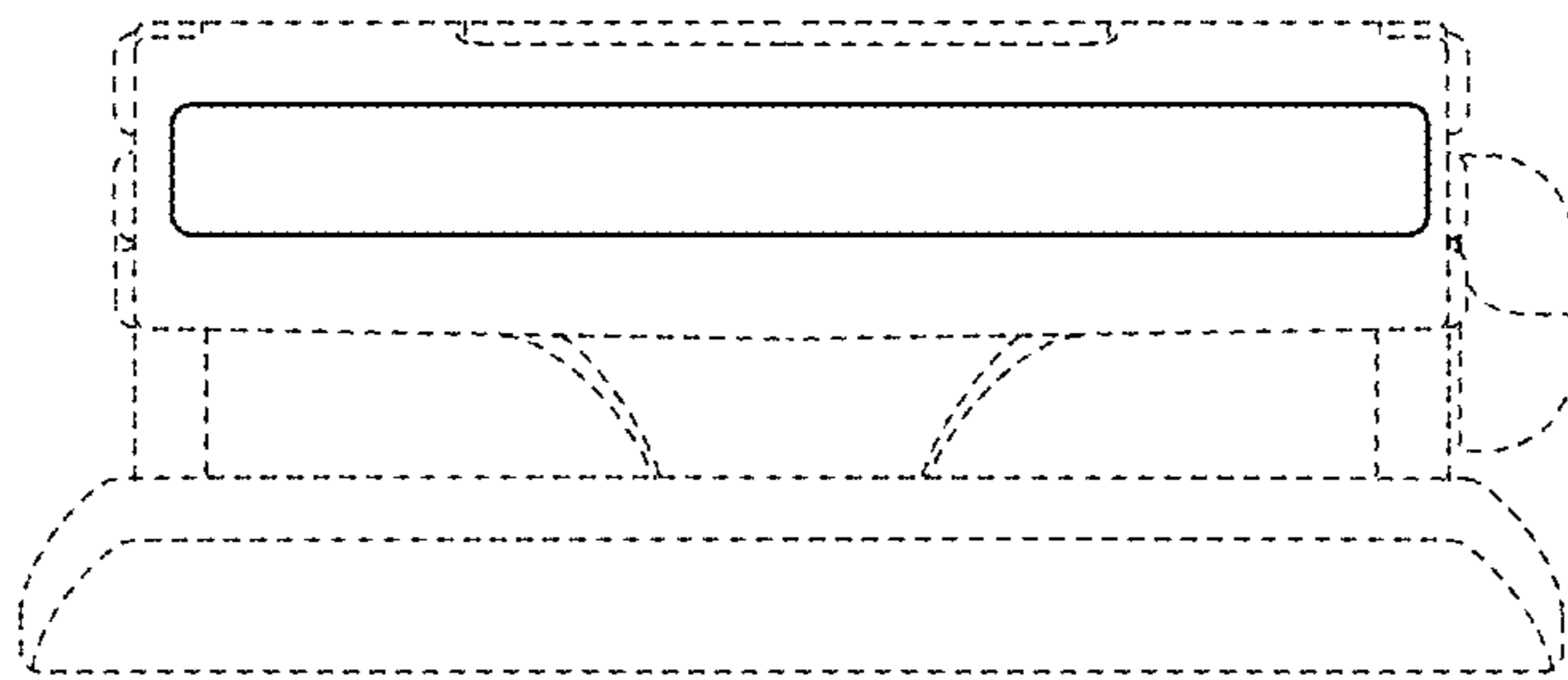
**FIG. 4**



**FIG. 5**



**FIG. 6**



**FIG. 7**