



US00D805425S

(12) **United States Design Patent**  
**Hanscom**

(10) **Patent No.:** **US D805,425 S**

(45) **Date of Patent:** **\*\* Dec. 19, 2017**

(54) **DRONE-SHAPED TIE TACK**

8,967,029 B1 \* 3/2015 Calvert ..... F41H 13/00  
239/171

(71) Applicant: **Eric Hanscom**, Carlsbad, CA (US)

9,650,135 B2 \* 5/2017 Keennon ..... B64C 39/024

D797,859 S \* 9/2017 Caubel ..... D21/441

(72) Inventor: **Eric Hanscom**, Carlsbad, CA (US)

2012/0056041 A1 \* 3/2012 Rhee ..... B64C 25/32  
244/4 R

(\*\*) Term: **15 Years**

\* cited by examiner

(21) Appl. No.: **29/543,846**

*Primary Examiner* — Cynthia Underwood

(22) Filed: **Nov. 27, 2015**

(74) *Attorney, Agent, or Firm* — Eric Hanscom

(51) **LOC (10) Cl.** ..... **02-07**

(52) **U.S. Cl.**

USPC ..... **D11/202; D21/441**

(58) **Field of Classification Search**

USPC ..... D11/200, 202; D2/609

CPC ..... A44B 6/00

See application file for complete search history.

(57) **CLAIM**

The ornamental design for a drone-shaped tie tack, as shown and described.

**DESCRIPTION**

FIG. 1 is a top view of a drone-shaped tie tack showing my new design;

FIG. 2 is a bottom view thereof;

FIG. 3 is a front view thereof; and,

FIG. 4 is a perspective view thereof.

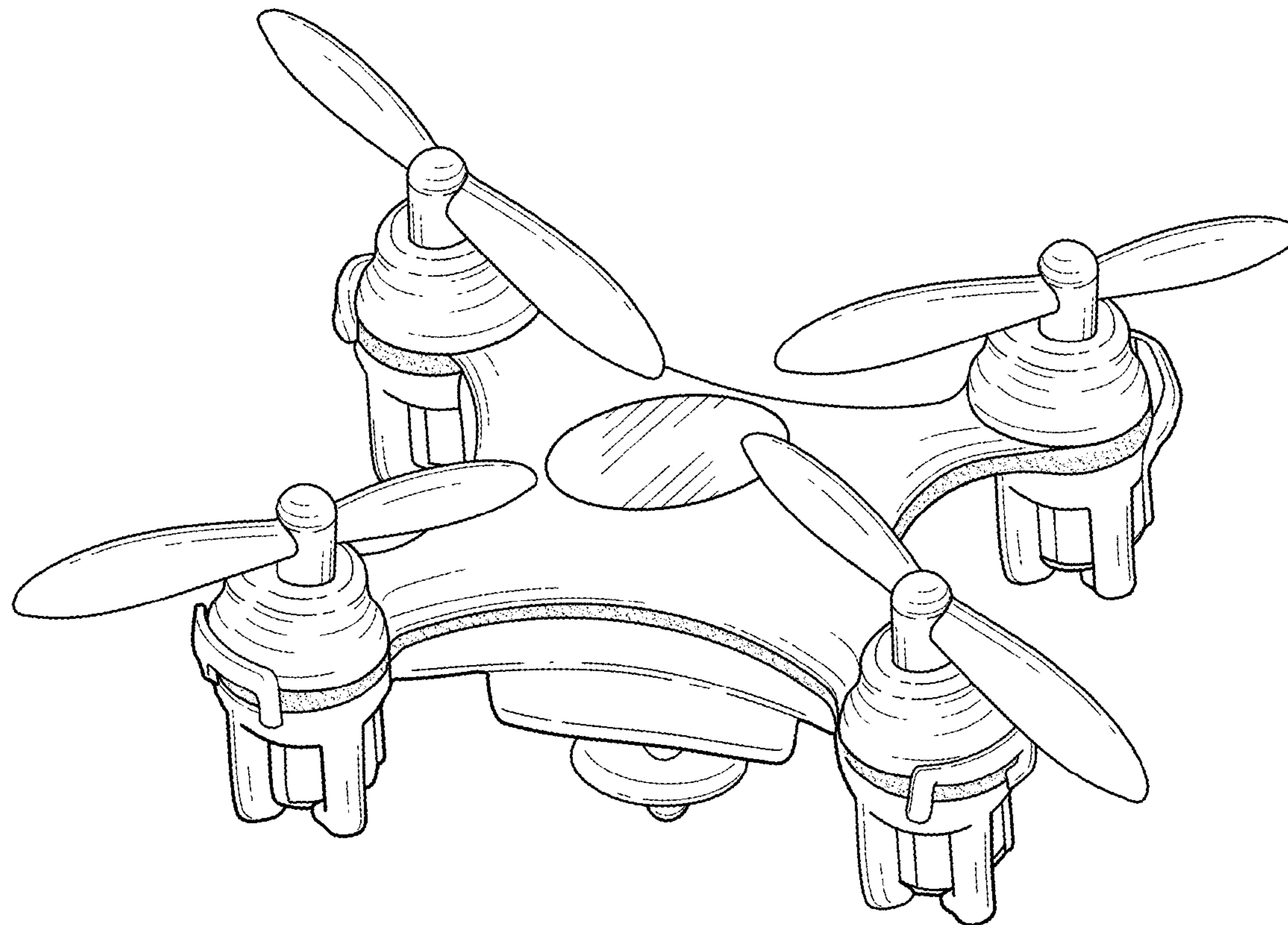
(56) **References Cited**

**U.S. PATENT DOCUMENTS**

1,603,885 A \* 10/1926 Van Dyk ..... A41D 25/025  
2/153

D449,564 S \* 10/2001 Platt ..... D11/222

**1 Claim, 2 Drawing Sheets**



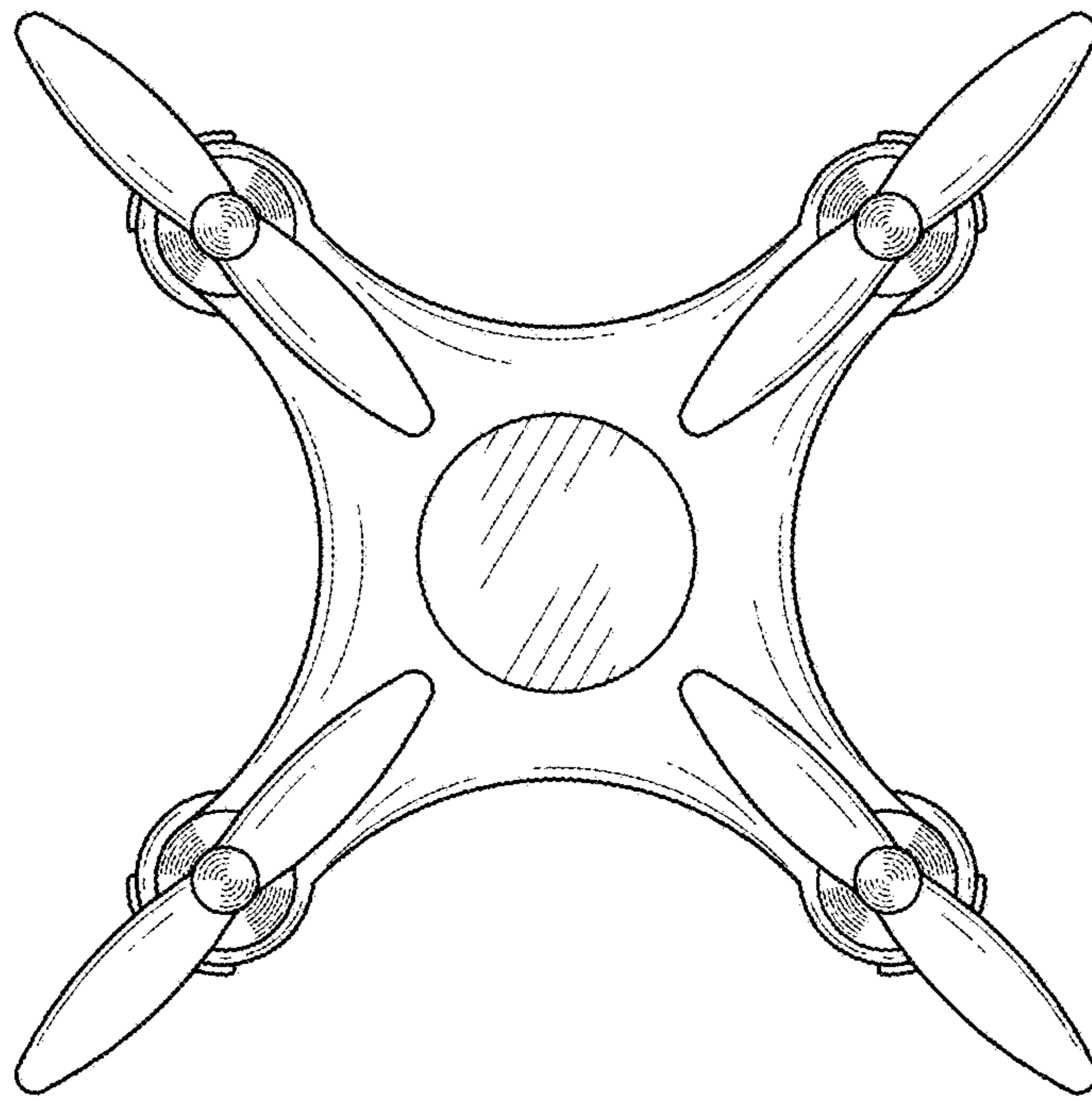


FIG. 1

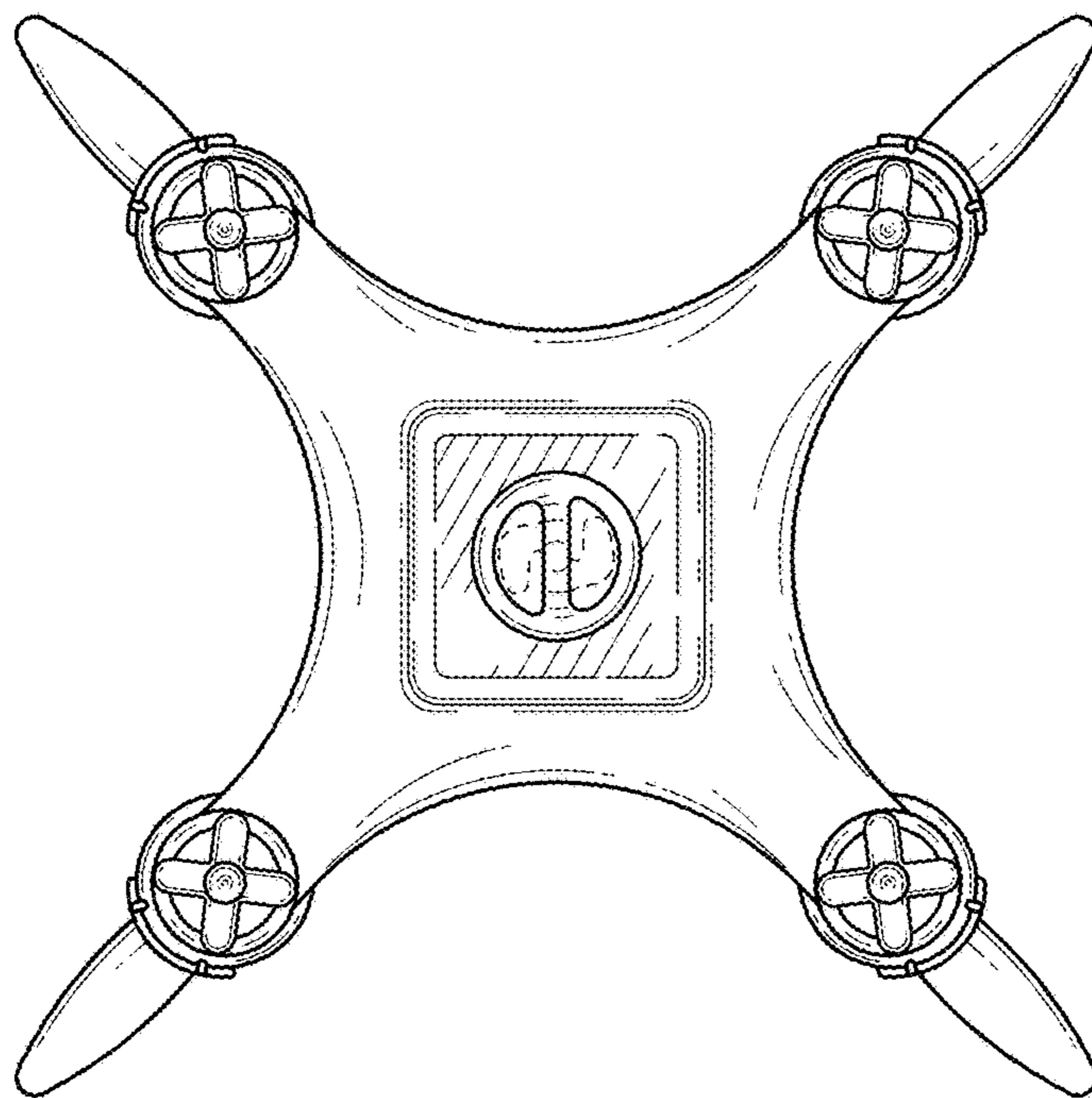


FIG. 2

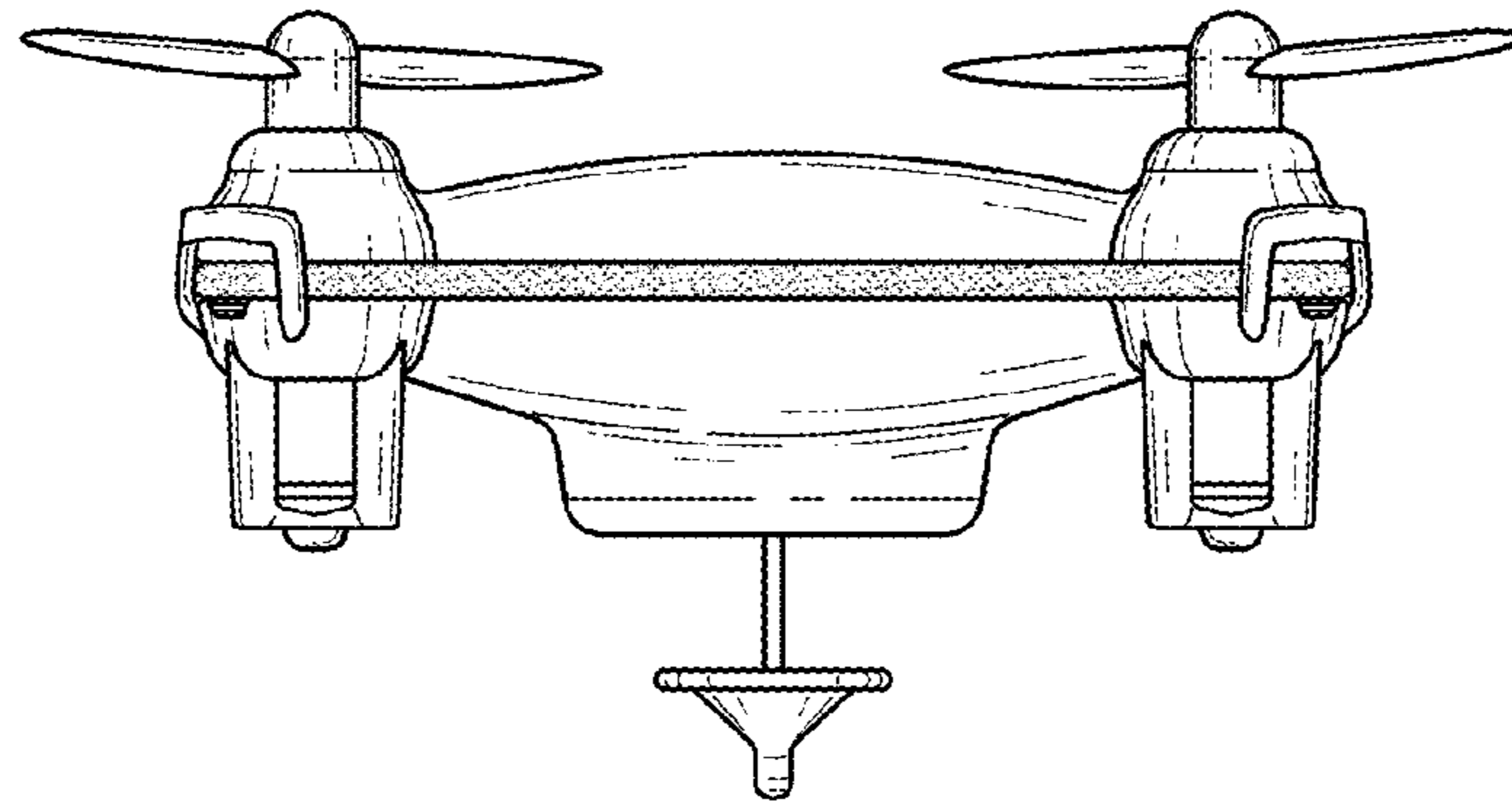


FIG. 3

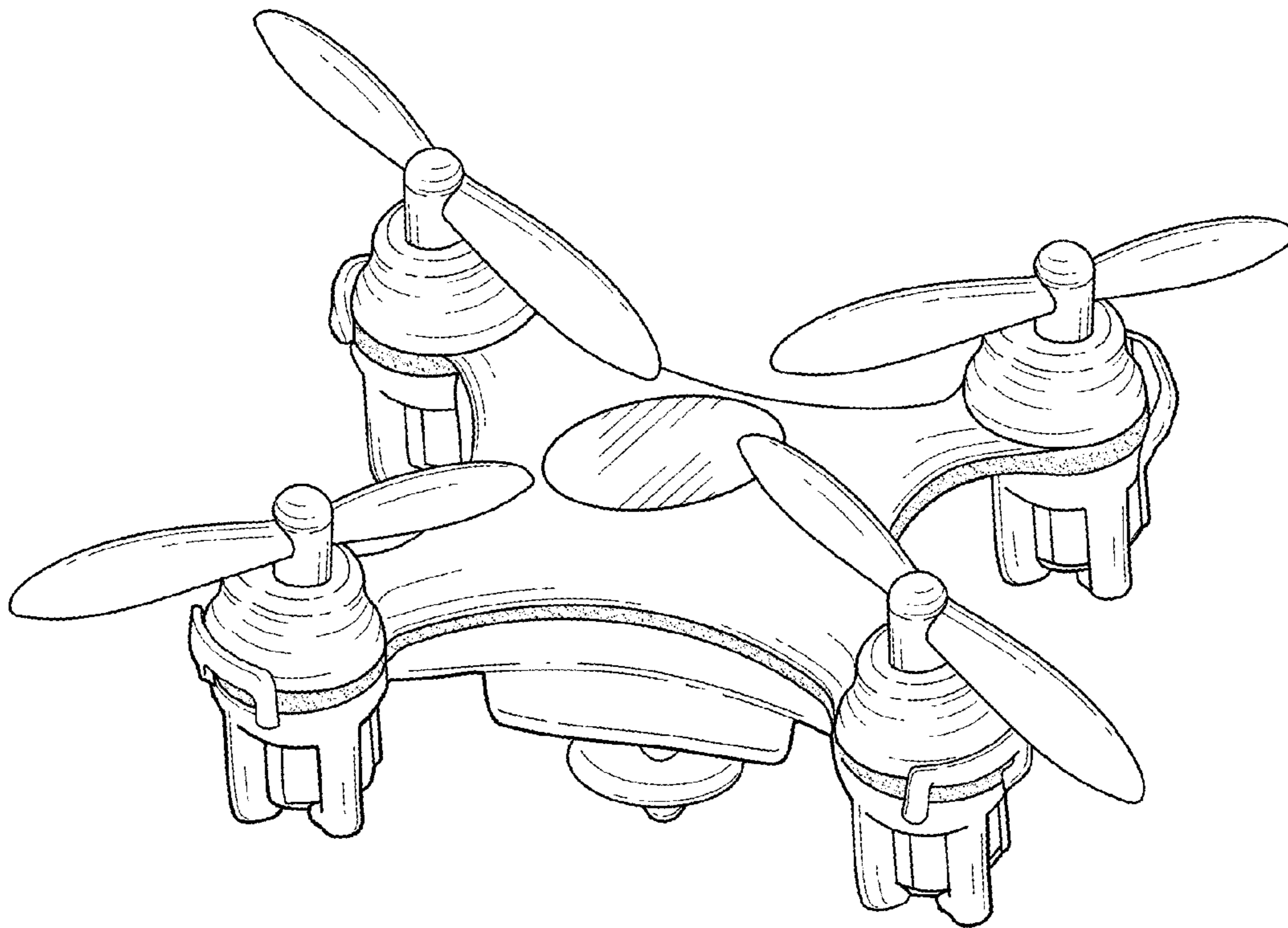


FIG. 4