



US00D805422S

(12) **United States Design Patent** (10) **Patent No.:** **US D805,422 S**
Wessel et al. (45) **Date of Patent:** **** Dec. 19, 2017**

(54) **INCENSE BURNER**
(71) Applicant: **TENNEN LLC**, Phoenix, AZ (US)
(72) Inventors: **Ethan Christopher Wessel**, Phoenix, AZ (US); **Sarah Melinda Wessel**, Phoenix, AZ (US)
(73) Assignee: **TENNEN LLC**, Phoenix, AZ (US)
(**) Term: **15 Years**
(21) Appl. No.: **29/578,116**
(22) Filed: **Sep. 19, 2016**
(51) **LOC (10) Cl.** **11-02**
(52) **U.S. Cl.**
USPC **D11/131.1**
(58) **Field of Classification Search**
USPC D11/131.1; D1/103, 127; D19/78, 103;
D27/104, 134, 135, 193; D28/20
CPC . A24F 15/18; A61L 9/03; A61L 9/122; F21V
33/0012; F22B 1/284
See application file for complete search history.

D379,471 S * 5/1997 Gilbert D1/127
5,873,370 A * 2/1999 Towle A24F 19/10
131/190
D497,466 S * 10/2004 Van De Wal D1/127
D527,674 S * 9/2006 Biglarians D11/131.1

OTHER PUBLICATIONS

Tennen Tall Box Burner found online [Jun. 20, 2017] <http://tennen.us/burners/tall-box-burner-polished-nickel>.*

* cited by examiner

Primary Examiner — Robert M Spear

Assistant Examiner — John Voytek

(74) *Attorney, Agent, or Firm* — Greenberg Traurig LLP

(57) **CLAIM**

We claim the ornamental design for an incense burner, as shown and described.

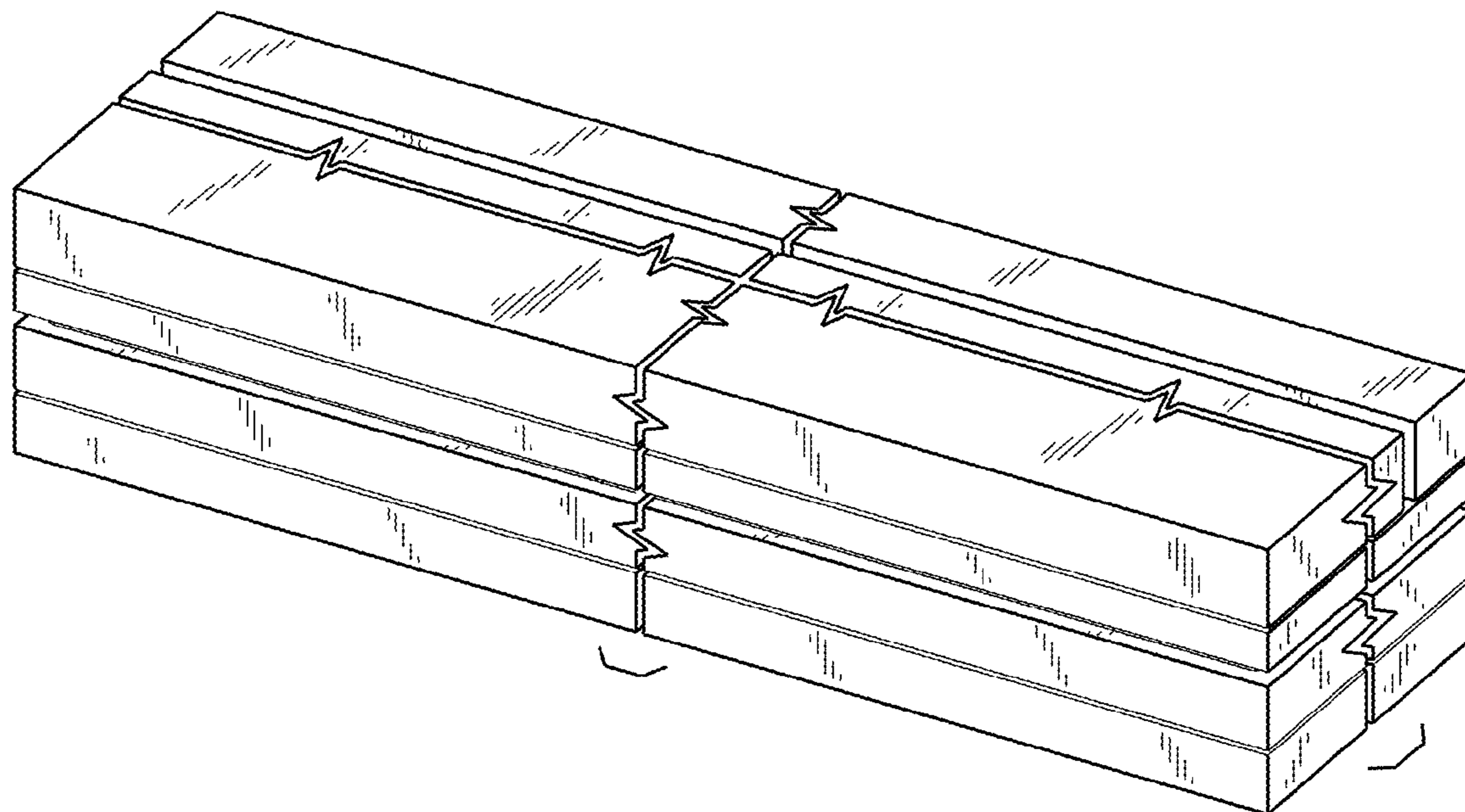
DESCRIPTION

FIG. 1 is a perspective view of an incense burner;
FIG. 2 is a side view of the incense burner of FIG. 1;
FIG. 3 is a side view of the incense burner of FIG. 1 opposite to the side of FIG. 2;
FIG. 4 is an end view of the incense burner of FIG. 1;
FIG. 5 is an end view of the incense burner of FIG. 1 opposite to the end of FIG. 4;
FIG. 6 is a top view of the incense burner of FIG. 1; and,
FIG. 7 is a bottom view of the incense burner of FIG. 1.
The incense burner is shown with symbolic breaks in its length and depth. The appearance of any portion of the article between the break lines forms no part of the claimed design.

The features shown in broken lines depict environmental subject matter only and form no part of the claimed design.

1 Claim, 2 Drawing Sheets

(56) **References Cited**
U.S. PATENT DOCUMENTS
128,386 A * 6/1872 Guthman A24C 1/18
131/85
1,829,454 A * 10/1931 Pride A24D 1/042
131/256
2,188,692 A * 1/1940 Schultz A24F 19/10
131/238
D253,548 S * 11/1979 Gruber 422/126
D264,869 S * 6/1982 Gordon D11/131.1



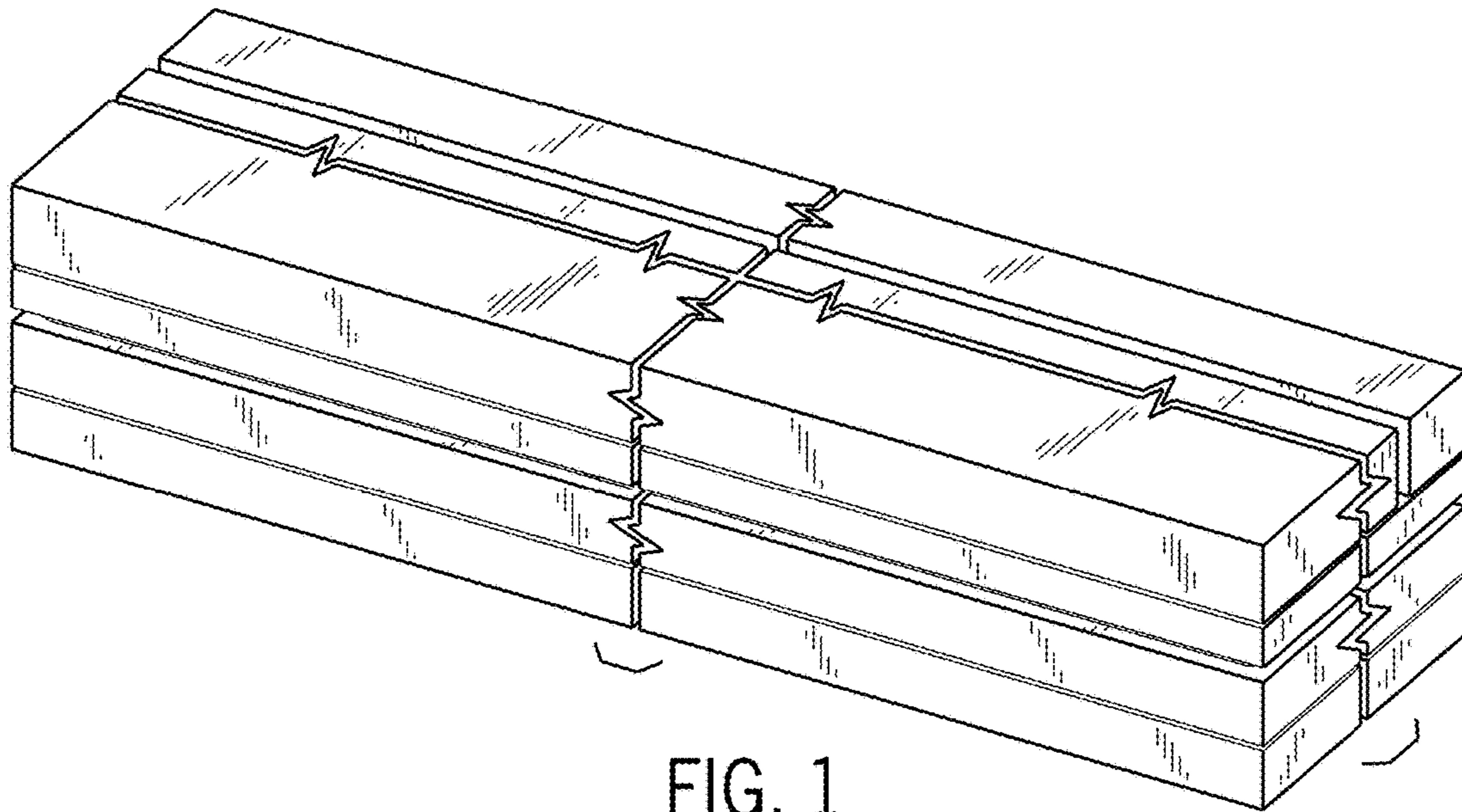


FIG. 1

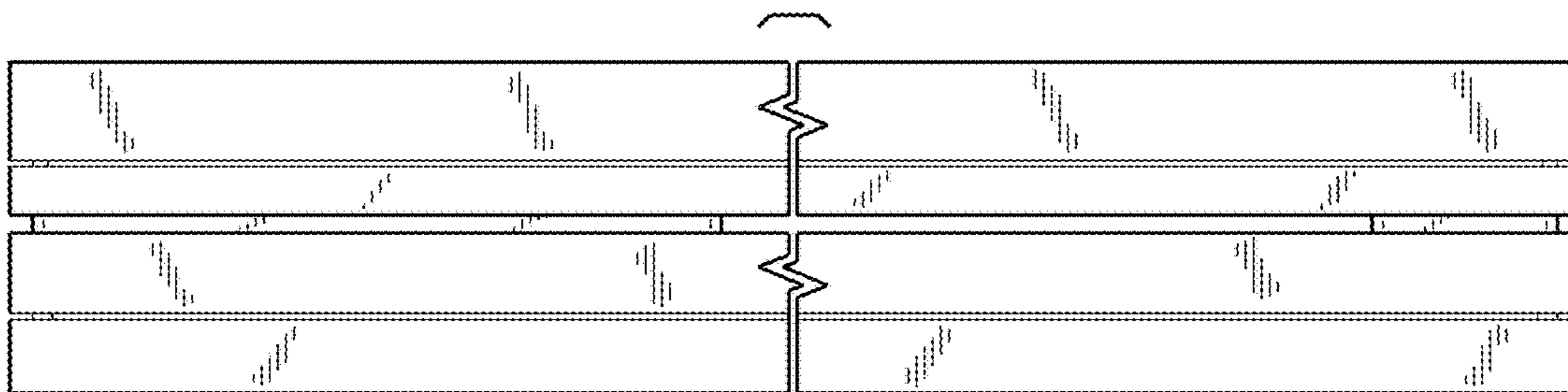


FIG. 2

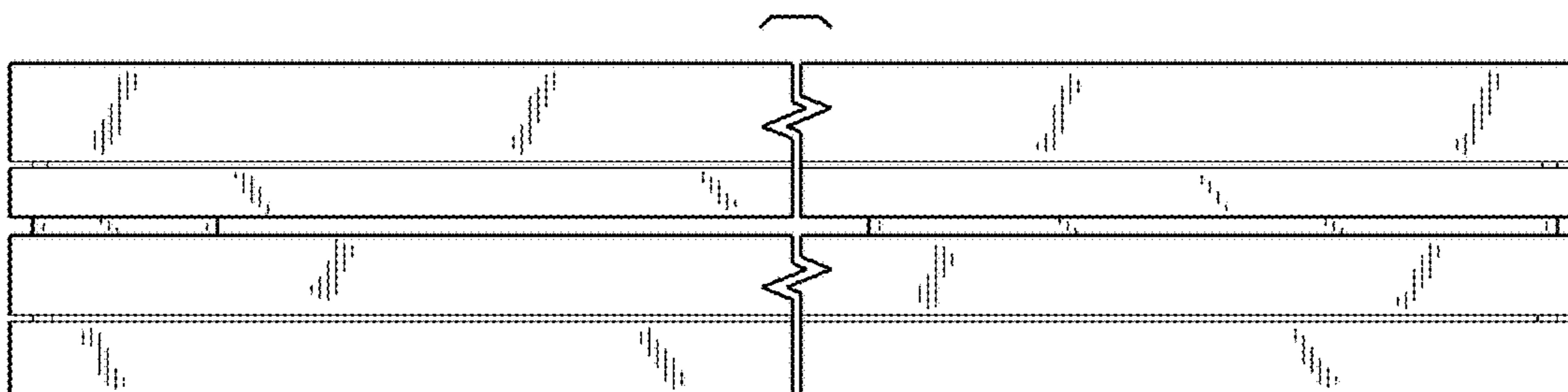


FIG. 3

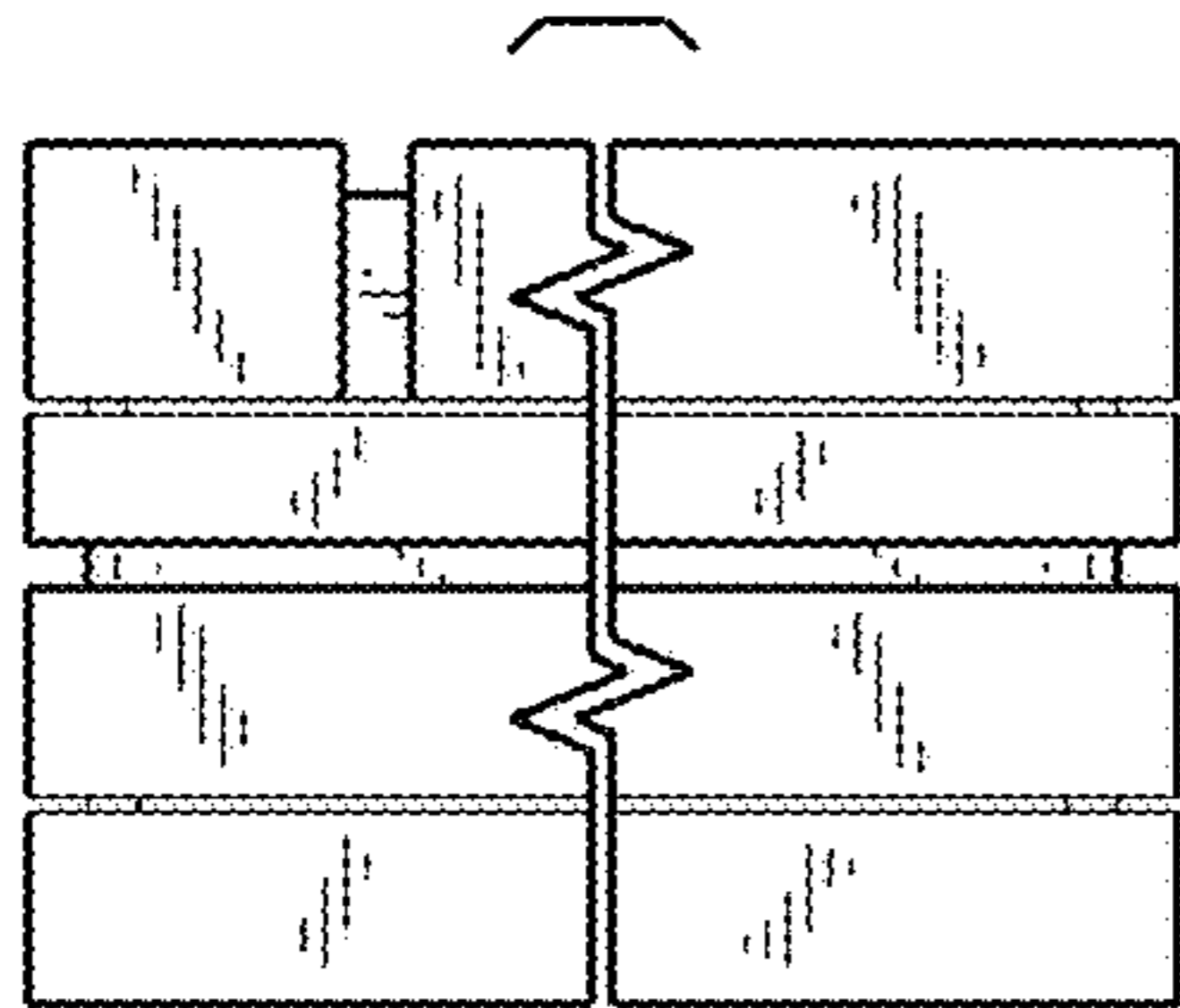


FIG. 4

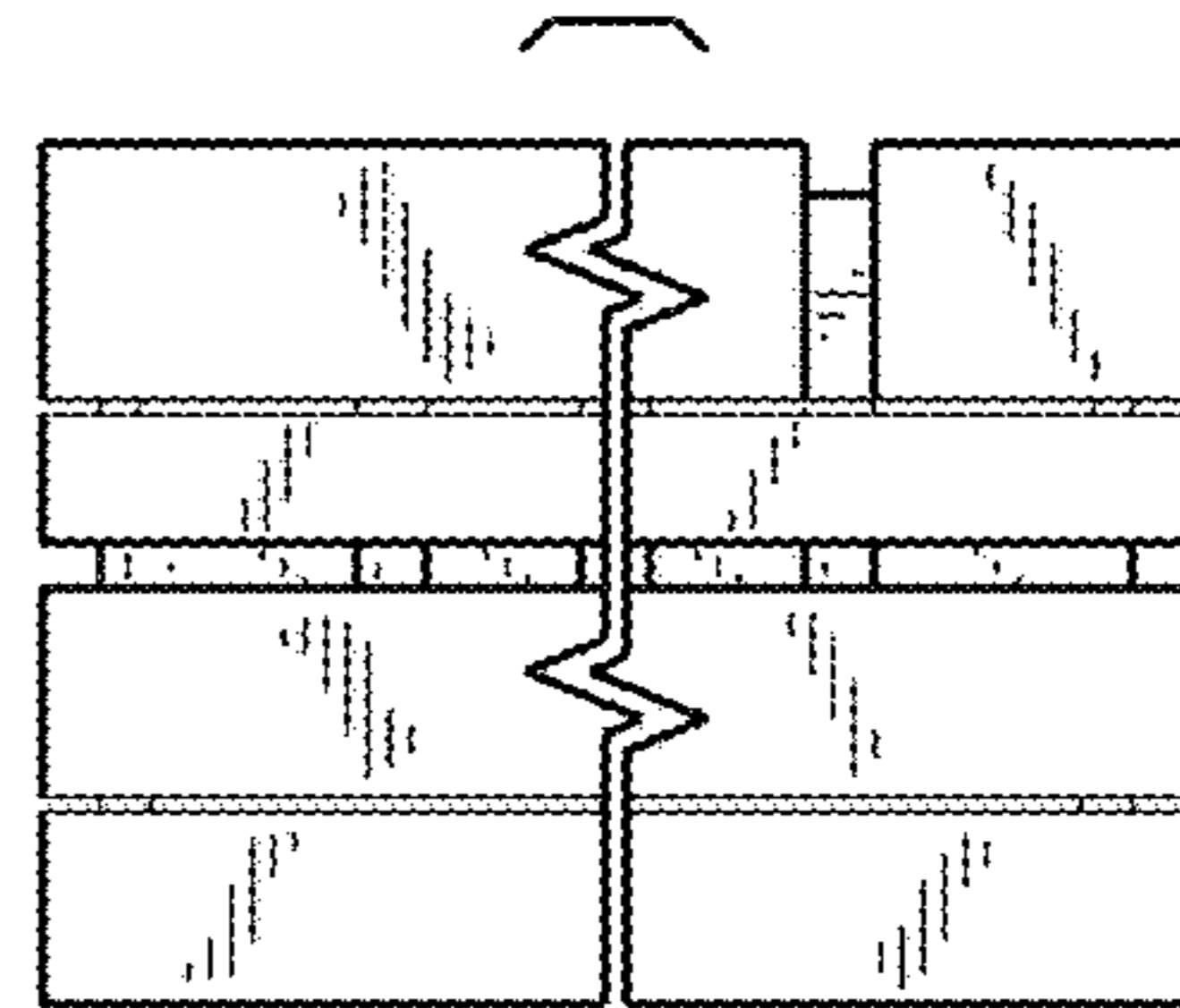


FIG. 5

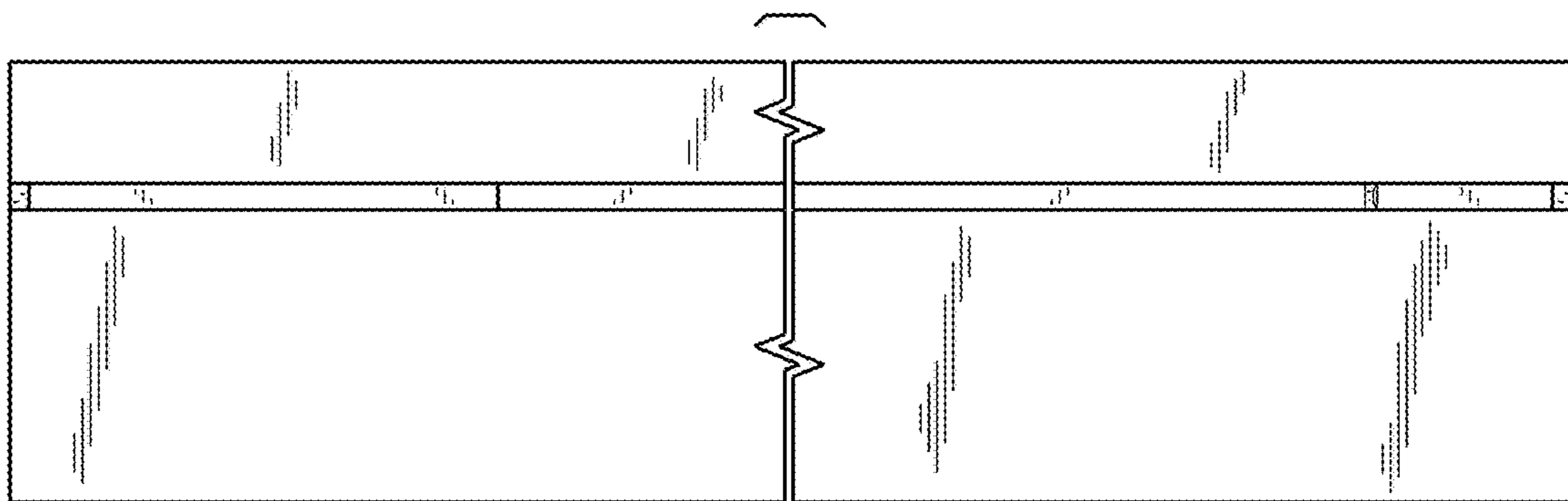


FIG. 6

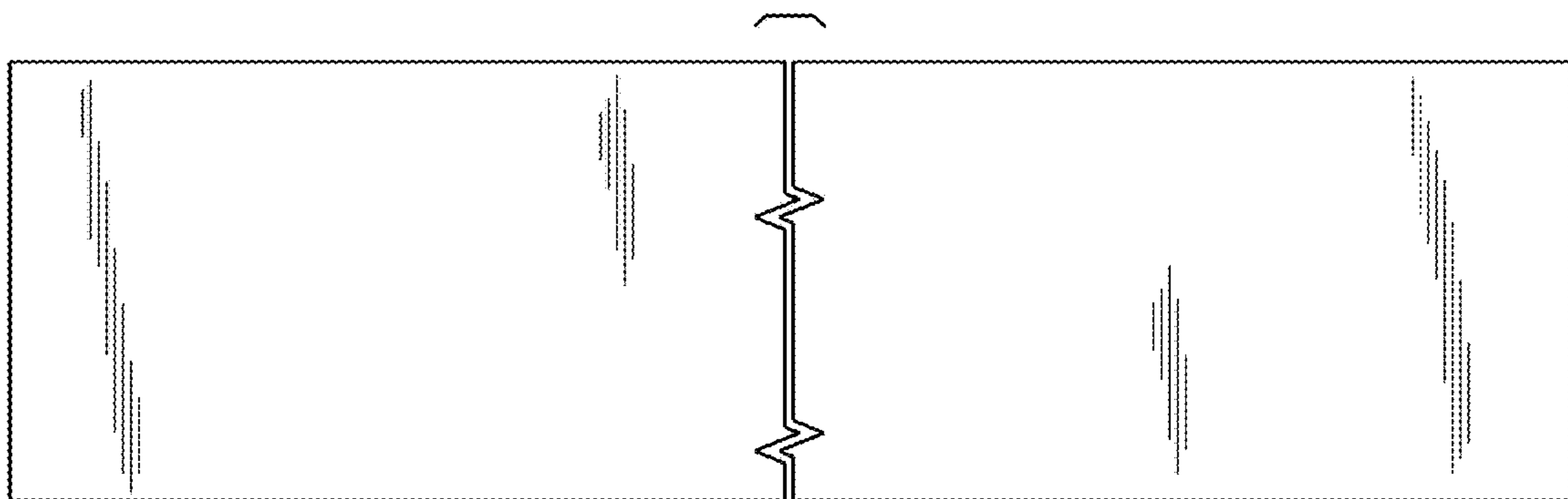


FIG. 7