



US00D805419S

(12) **United States Design Patent** (10) **Patent No.:** **US D805,419 S**
McGraw (45) **Date of Patent:** **** Dec. 19, 2017**

(54) **BOW-SHAPED RING**

(71) Applicant: **PPP&C, INC.**, Burbank, CA (US)

(72) Inventor: **Robin McGraw**, Los Angeles, CA (US)

(73) Assignee: **PPP&C, INC.**, Burbank, CA (US)

(**) Term: **15 Years**

(21) Appl. No.: **29/584,778**

(22) Filed: **Nov. 17, 2016**

(51) **LOC (10) Cl.** **11-01**

(52) **U.S. Cl.**

USPC **D11/30**

(58) **Field of Classification Search**

USPC D11/1-40; D28/39-43

CPC .. A44C 5/00; A44C 5/10; A44C 5/022; A44C 5/025; A44C 5/145; A44C 5/0007; A44C 5/0061; A44C 5/0076; A44C 5/0084; A44C 5/0092; A44C 5/2071; A44C 5/2085; A44C 9/0038; A44C 9/0053; A44C 17/02; A44C 5/0069; A44C 5/142; A44C 15/005; A44C 15/0005; A44C 17/001; A44C 17/003; A44C 17/005

See application file for complete search history.

(56) **References Cited**

U.S. PATENT DOCUMENTS

D117,557 S *	11/1939	Karples	D11/29
D133,401 S *	8/1942	Boucher	D11/30
D166,973 S *	6/1952	Katz	D11/74
D262,529 S *	1/1982	Bogdanov	D11/34
D491,091 S *	6/2004	Osinga	D11/26
D526,442 S *	8/2006	Kim	D28/41
D762,509 S *	8/2016	Slimane	D11/1

OTHER PUBLICATIONS

The Bow Ring (available online Dec. 10, 2016) Retrieved from the internet Aug. 16, 2017, retrieved from the internet URL: https://web.archive.org/web/20161210180918/http://www.robinmcgrawrevelation.com:80/products/bow-ring%C2%AE.*

web.archive.org/web/20161210180918/http://www.robinmcgrawrevelation.com:80/products/bow-ring%C2%AE.*
Tineeye Rose Gold Mini Bow Ring (available online Sep. 25, 2013) Retrieved from the internet Aug. 16, 2017, retrieved from the internet URL: <https://tineeye.com/search/8562421bb174e47fc1eb0f2bc4adb63a6af68129/>.
Rose Gold Mini Bow Ring (available online) Retrieved from the internet Aug. 16, 2017, retrieved from the internet URL: www.polyvore.com/cgi/img-thing?.out=jpg&size-l&tid=68184380.*
925 Sterling Silver Open Fashion Ring Bow Tie (available online) Retrieved from the internet Aug. 16, 2017, retrieved from the internet URL: https://ru.aliexpress.com/item/925-Sterling-Silver-Jewelry-Open-Ring-Fashion-Bow-Tie-Inlay-Crystal-Wedding-Engagement-Rings-Rings-for/32796060308.html?spm=a2g0v.search0104.3.190.DyOTI1&ws_ab_test=searchweb0_0,sea.*

* cited by examiner

Primary Examiner — Garth Rademaker
Assistant Examiner — Richard Kearney
(74) *Attorney, Agent, or Firm* — Hankin Patent Law, APC; Kevin Schraven; Sergio Becerra

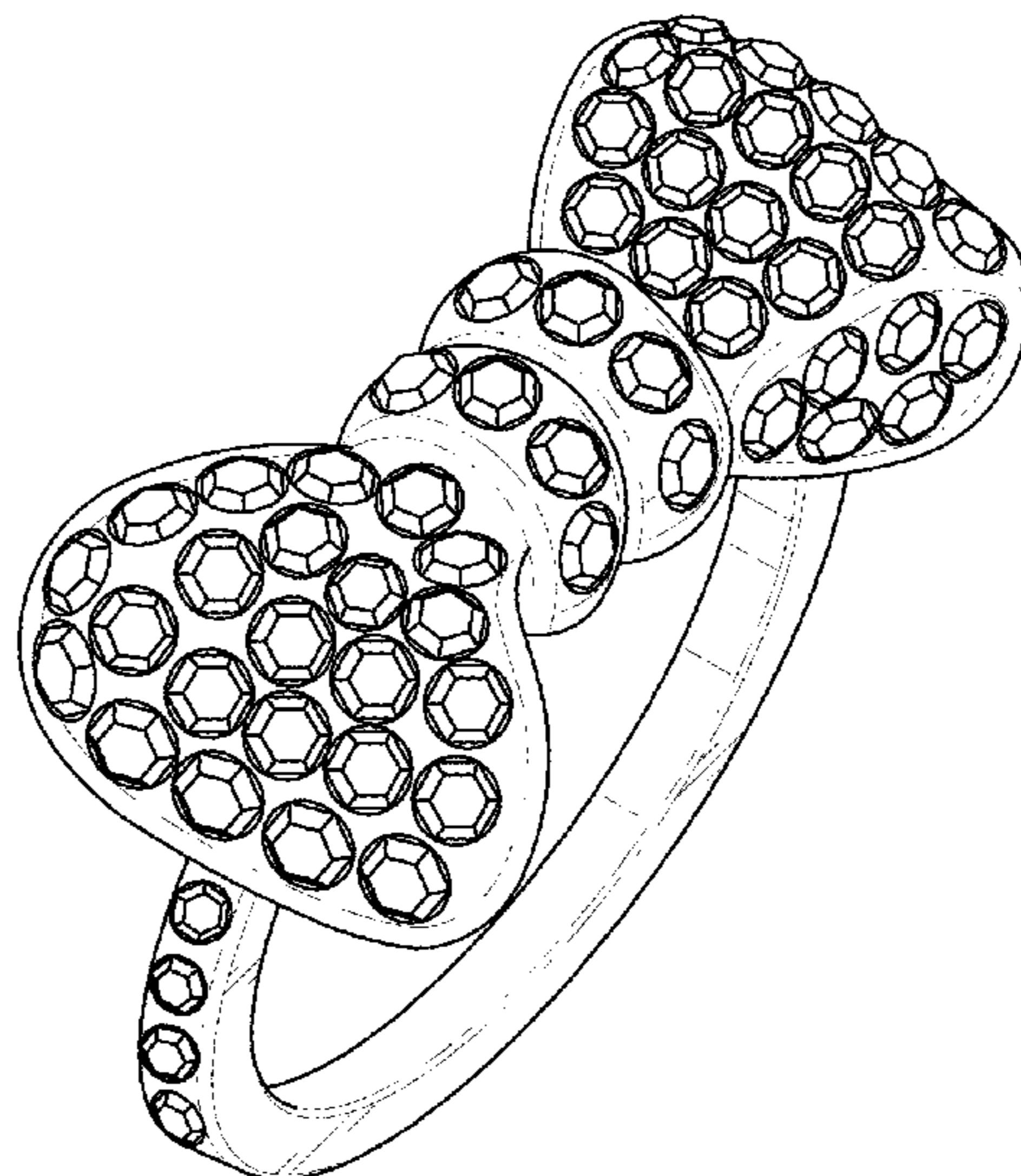
(57) **CLAIM**

The ornamental design for the bow-shaped ring, as shown and described.

DESCRIPTION

FIG. 1 is a top perspective view of a bow-shaped ring showing my new design.
FIG. 2 is a front elevational view thereof.
FIG. 3 is a rear elevational view thereof
FIG. 4 is a right side elevational view thereof.
FIG. 5 is a left side elevational view thereof.
FIG. 6 is a top plan view thereof; and,
FIG. 7 is a bottom plan view thereof.

1 Claim, 4 Drawing Sheets



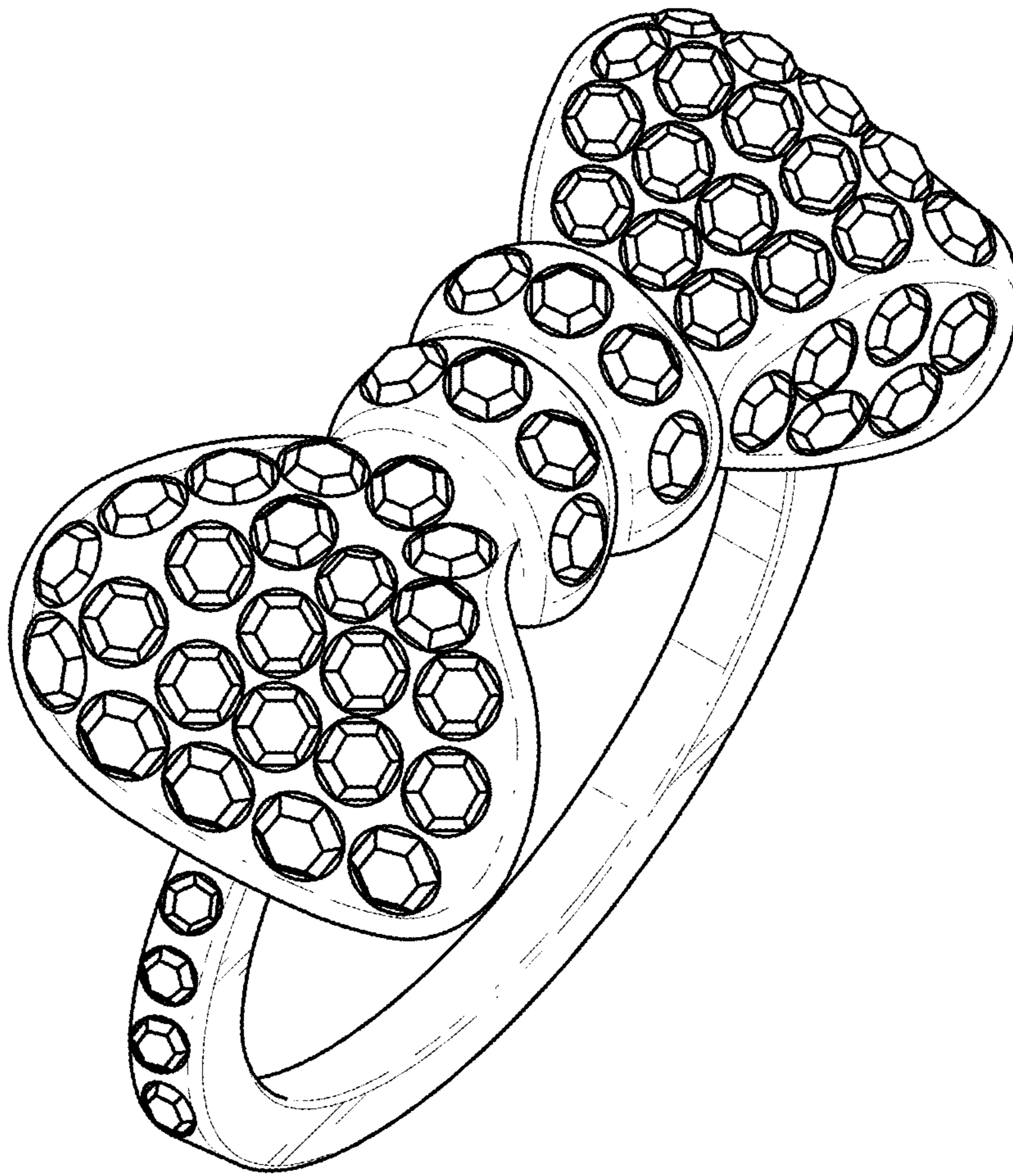


FIG. 1

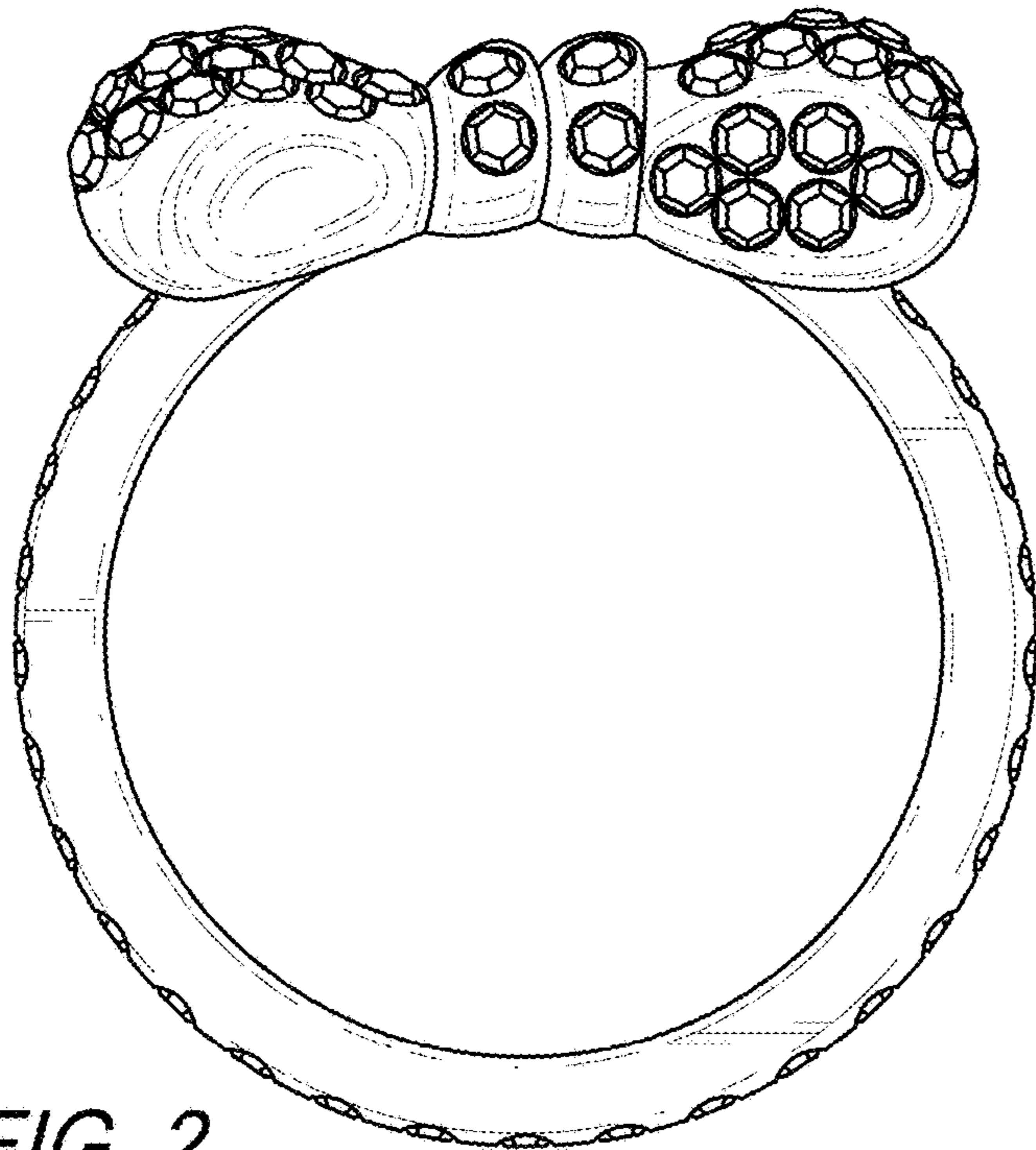


FIG. 2

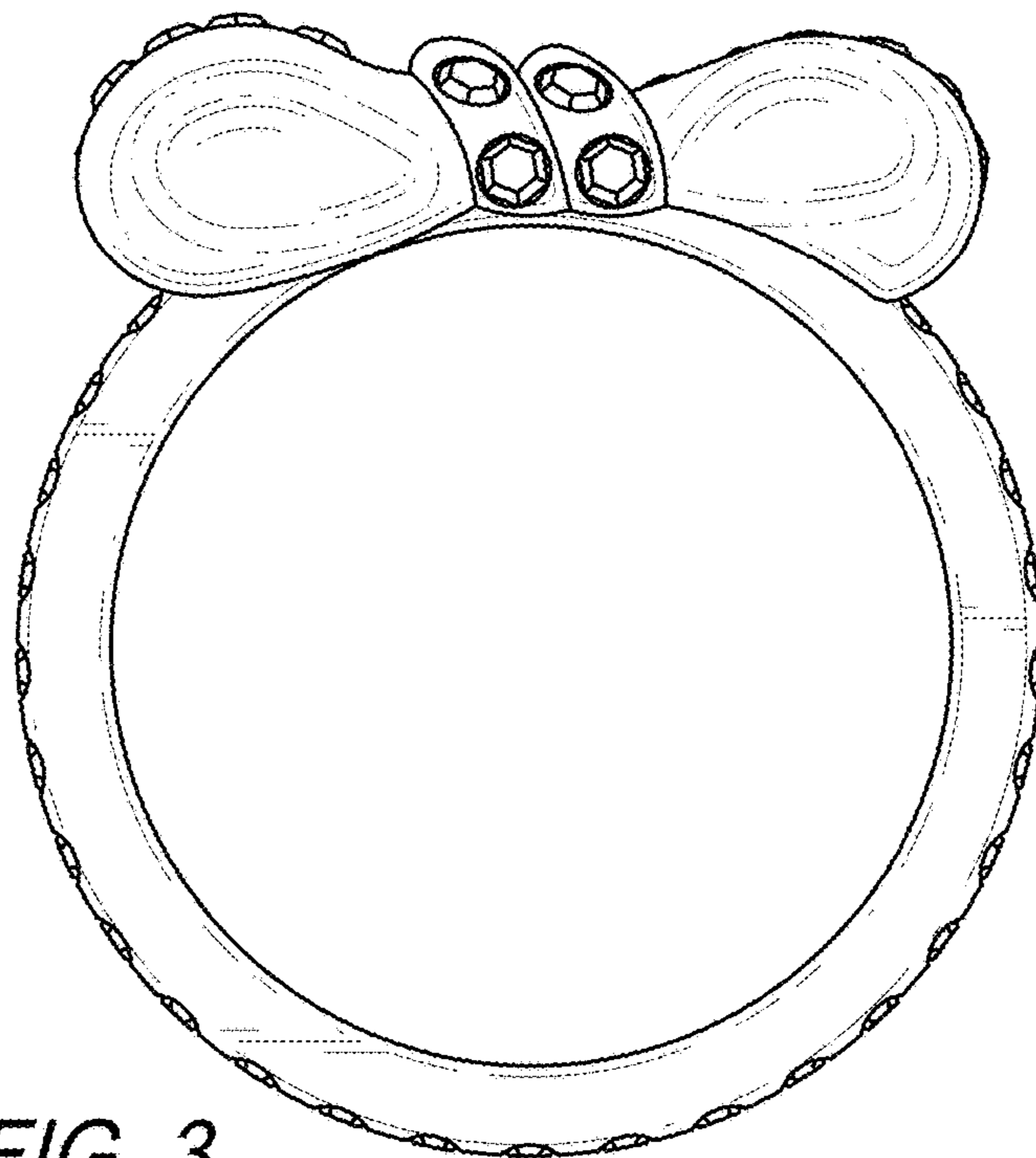


FIG. 3

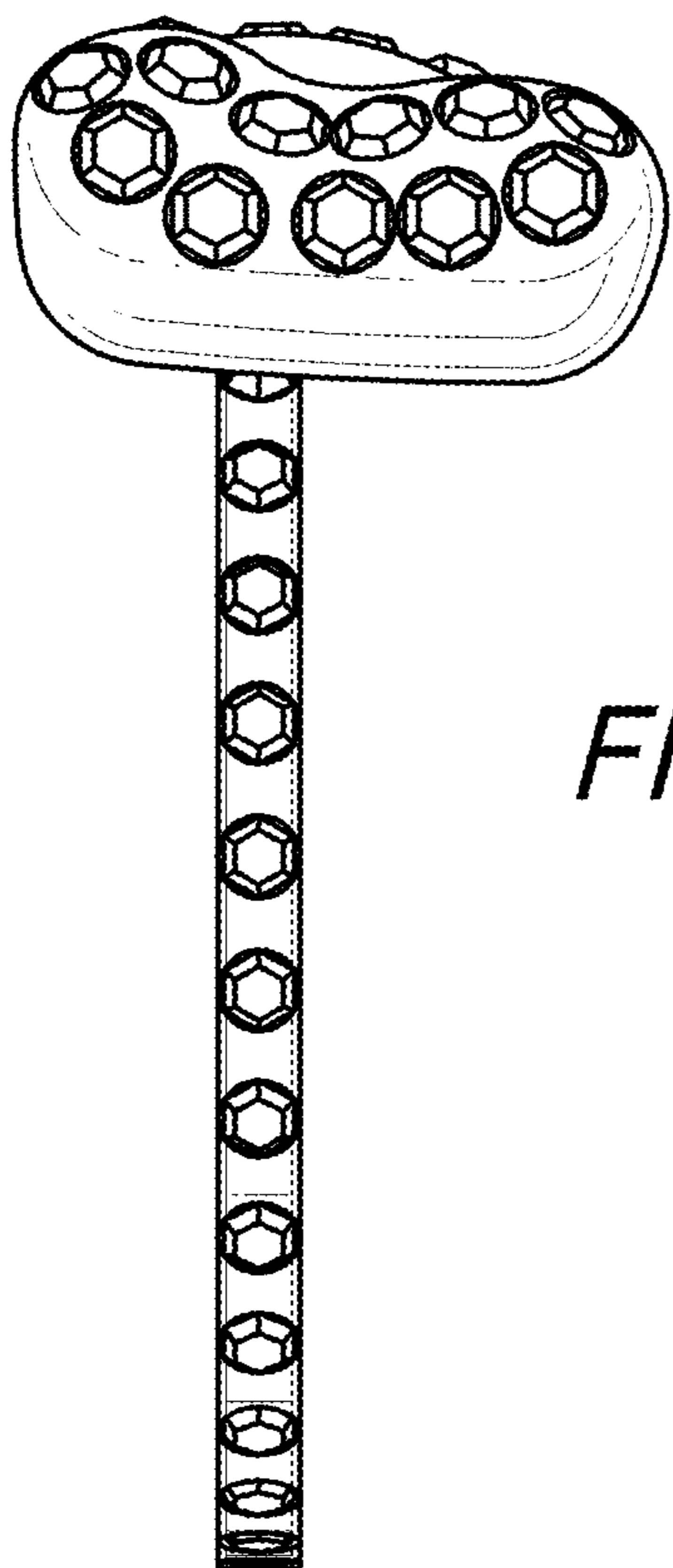


FIG. 4

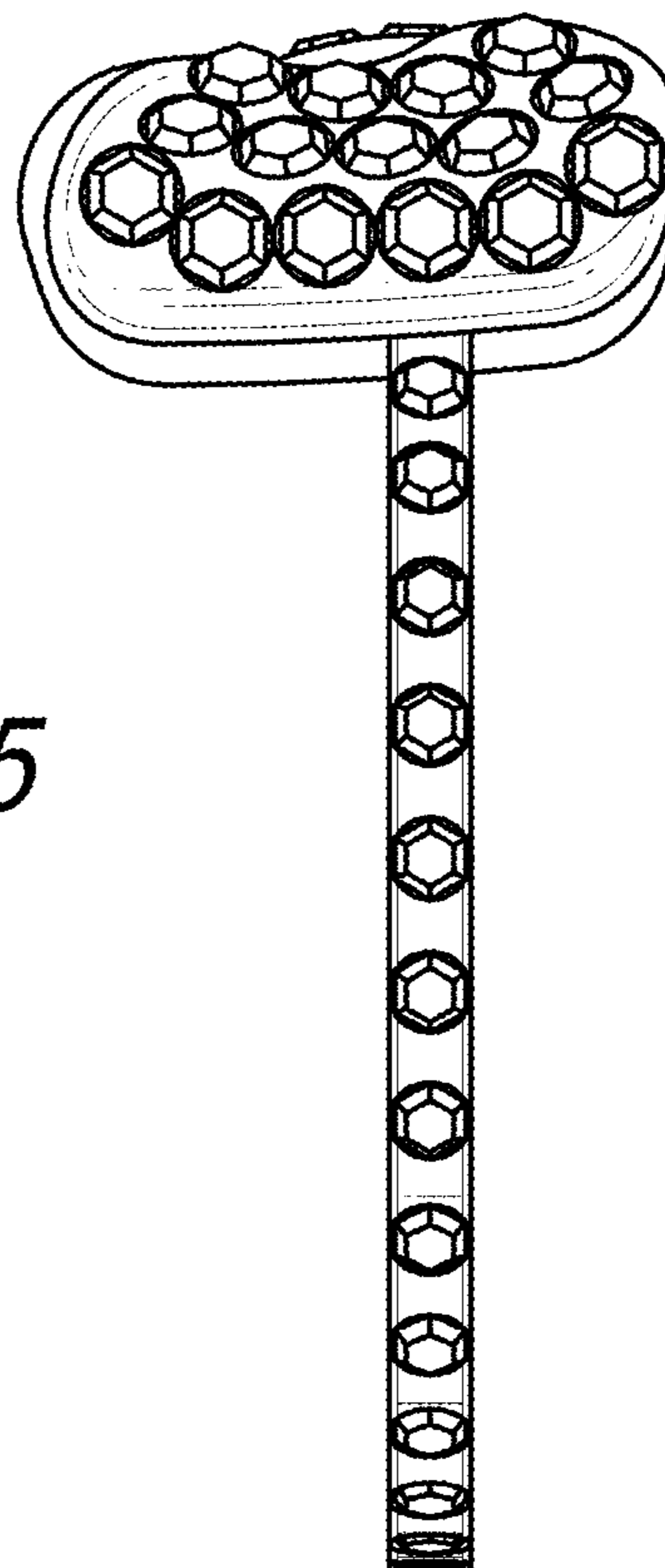


FIG. 5

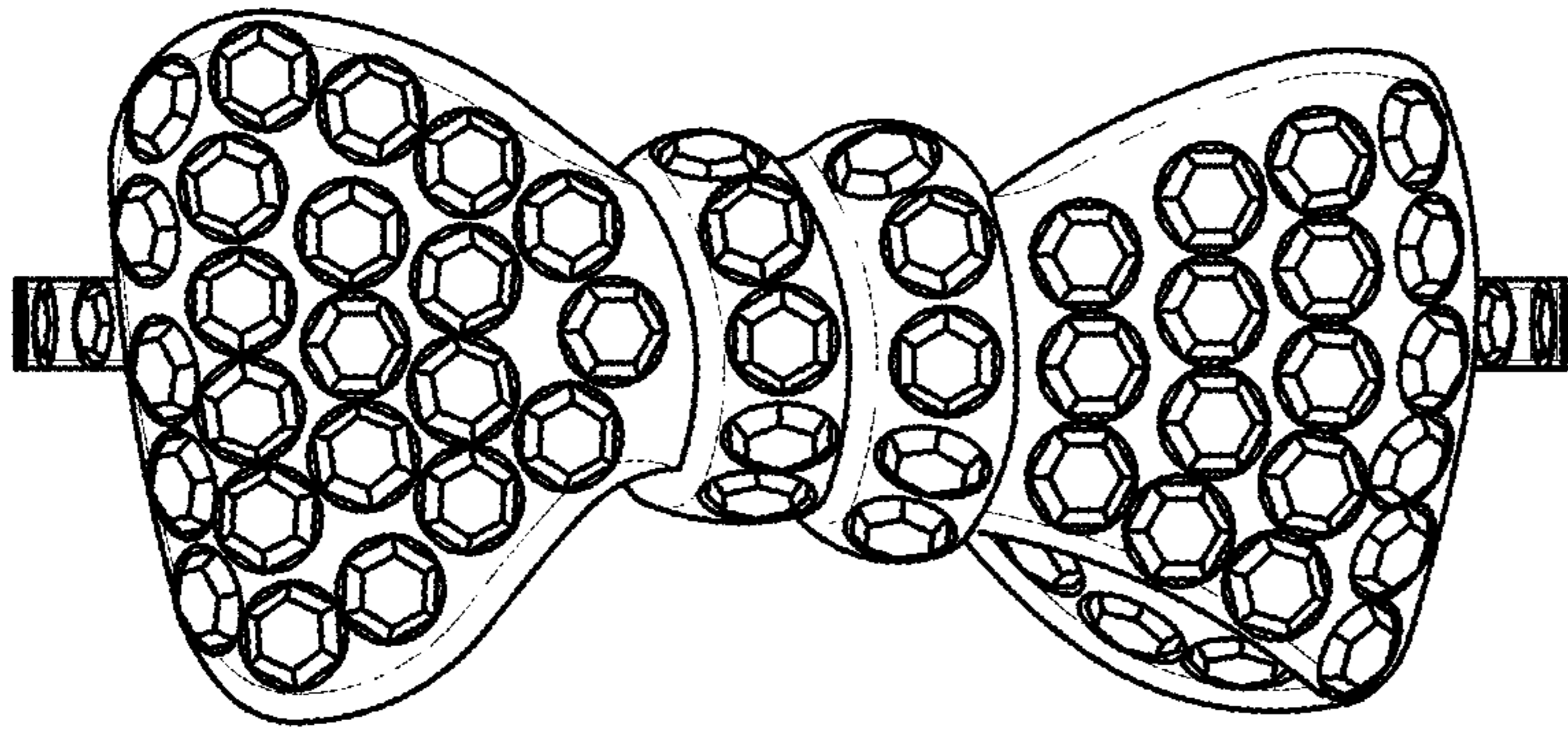


FIG. 6

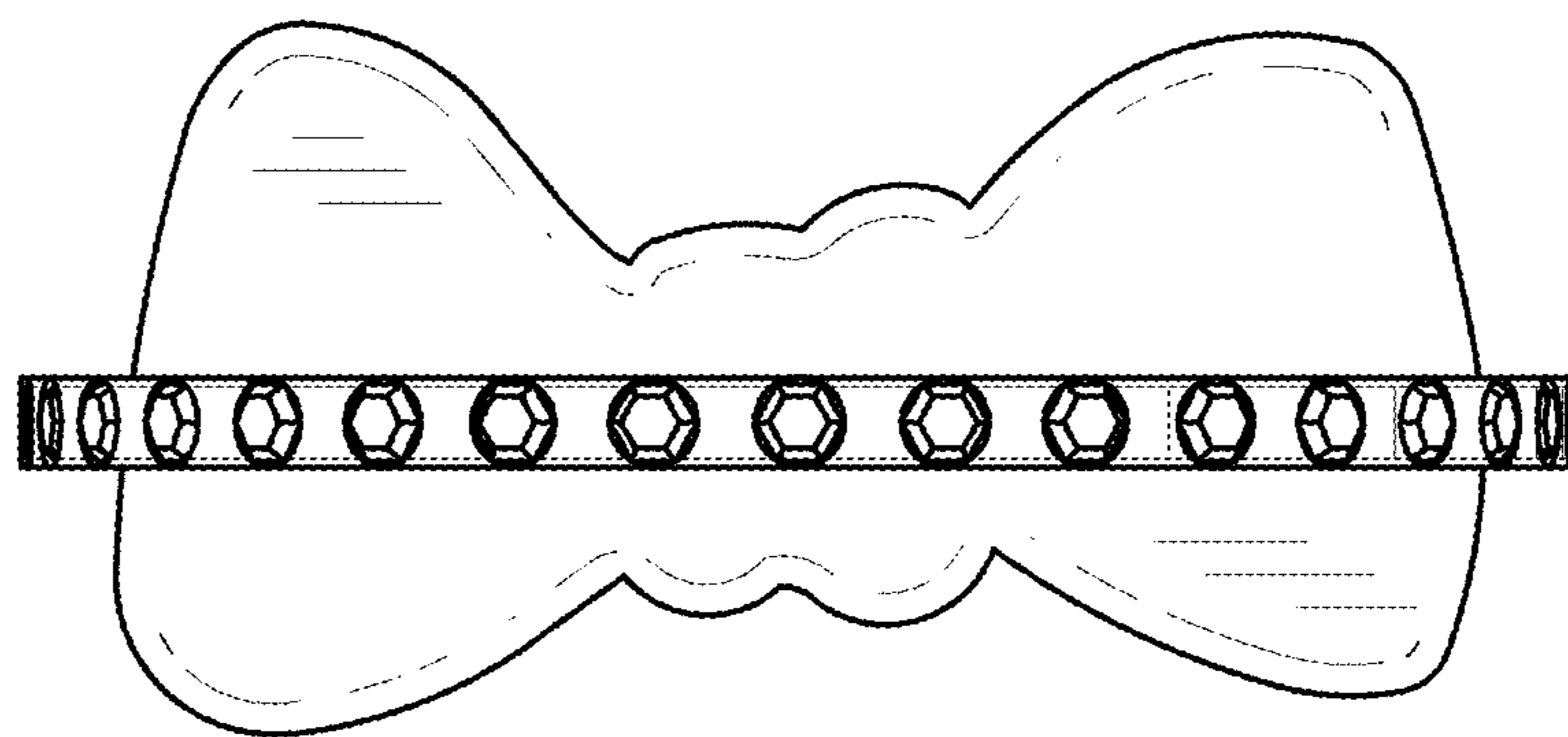


FIG. 7