



US00D805417S

(12) **United States Design Patent**
Thompson

(10) **Patent No.:** **US D805,417 S**
(45) **Date of Patent:** **** Dec. 19, 2017**

(54) **TRACK FOR A LIGHT BAR**

(71) Applicant: **Electronic Controls Company**, Boise, ID (US)

(72) Inventor: **Nicholaus M. Thompson**, Kuna, ID (US)

(73) Assignee: **ELECTRONIC CONTROLS COMPANY**, Boise, ID (US)

(**) Term: **14 Years**

(21) Appl. No.: **29/523,728**

(22) Filed: **Apr. 13, 2015**

(51) **LOC (10) Cl.** **10-05**

(52) **U.S. Cl.**
USPC **D10/121**

(58) **Field of Classification Search**
USPC D10/121; D26/138, 142, 152
CPC A61C 19/00; B23K 26/0738; F16M 13/02;
B60R 9/045; B60Q 1/2611; B60Q 1/2615
See application file for complete search history.

(56) **References Cited**

U.S. PATENT DOCUMENTS

- 6,841,797 B2 * 1/2005 Isobe B23K 26/0738
257/61
- 8,333,311 B2 * 12/2012 Hubbard B60R 9/045
224/320
- 9,149,350 B2 * 10/2015 Aheam A61C 19/00

(Continued)

Primary Examiner — George D. Kirschbaum
(74) *Attorney, Agent, or Firm* — Stoel Rives LLP

(57) **CLAIM**

The ornamental design for a track for a light bar, substantially as shown and described.

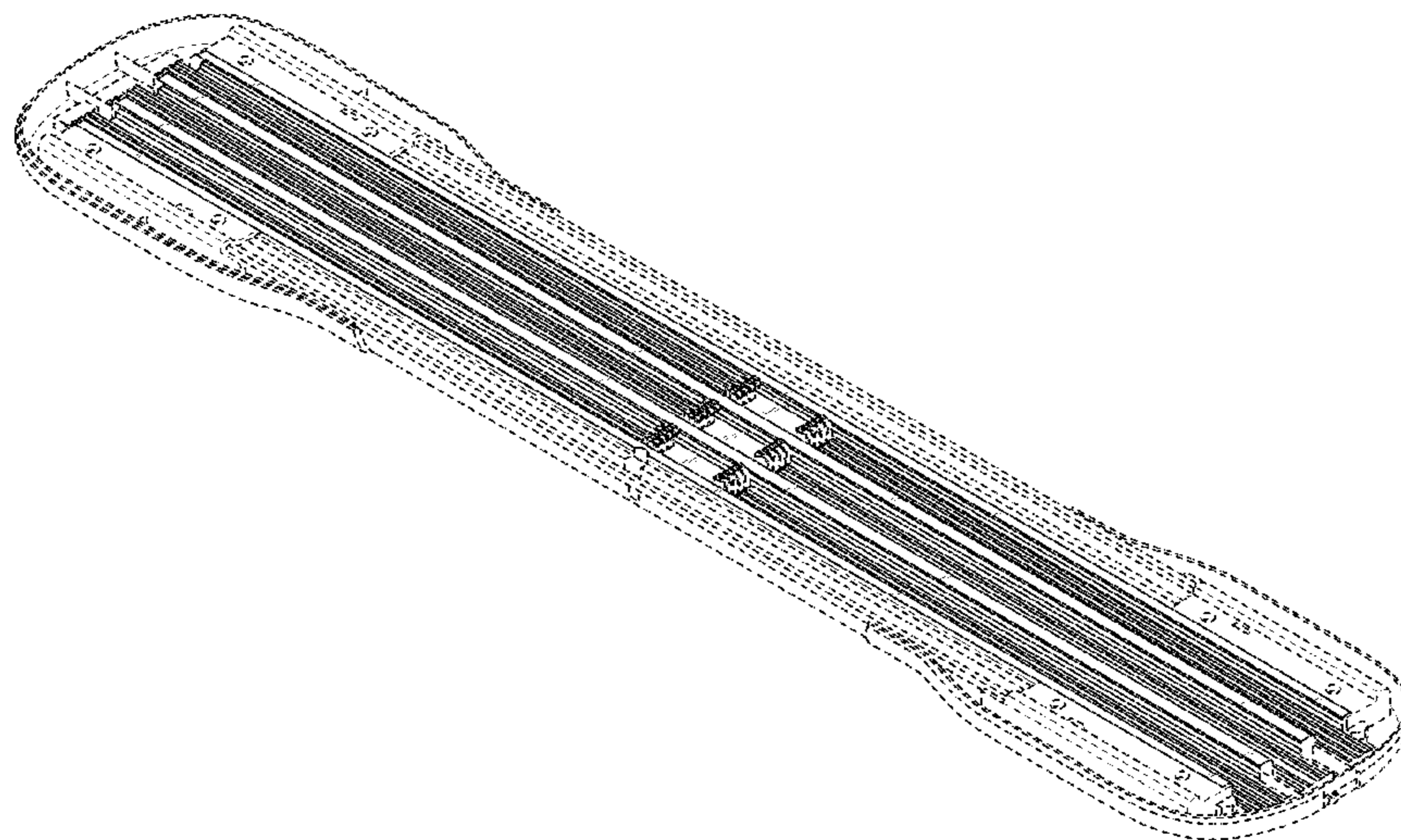
DESCRIPTION

FIG. 1 is a top isometric view of a track for a light bar;
FIG. 2 is a rear view thereof;

FIG. 3 is a front view thereof;
FIG. 4 is a left side view thereof;
FIG. 5 is a right side view thereof;
FIG. 6 is a top view thereof;
FIG. 7 is a bottom view thereof;
FIG. 8 is the view of FIG. 1 with some environmental structure removed to provide a clearer understanding of the design;
FIG. 9 is the view of FIG. 2 with some environmental structure removed to provide a clearer understanding of the design;
FIG. 10 is the view of FIG. 3 with some environmental structure removed to provide a clearer understanding of the design;
FIG. 11 is the view of FIG. 4 with some environmental structure removed to provide a clearer understanding of the design;
FIG. 12 is the view of FIG. 5 with some environmental structure removed to provide a clearer understanding of the design;
FIG. 13 is the view of FIG. 6 with some environmental structure removed to provide a clearer understanding of the design; and,
FIG. 14 is the view of FIG. 7 with some environmental structure removed to provide a clearer understanding of the design.

In FIGS. 1-14, the short-dash-long-dash broken line proximal the front edge of the design and the short-dash-long-dash broken line proximal the rear edge of the design represent the bounds of the claimed design and form no part of the claimed design. In FIGS. 11 and 12, the short-dash-long-dash broken line that represents the bounds of the claimed design runs vertically along the stem of the outermost "T" on both sides of the claimed design. In FIGS. 1-14, all the remaining broken lines are illustrative of environmental structure forming no part of the claimed design.

1 Claim, 12 Drawing Sheets



(56)

References Cited

U.S. PATENT DOCUMENTS

| | | | | |
|-----------|------|--------|------------------|-------------|
| 9,371,041 | B2 * | 6/2016 | Almhill | F16M 13/02 |
| 9,409,528 | B1 * | 8/2016 | Datz | B60Q 1/2611 |
| 9,428,099 | B1 * | 8/2016 | Doenges | B60Q 1/2611 |
| 9,566,913 | B2 * | 2/2017 | Sarges | |
| D782,106 | S * | 3/2017 | Porciatti | D26/138 |
| 9,592,768 | B2 * | 3/2017 | Neufeglise | B60Q 1/2611 |
| 9,623,795 | B2 * | 4/2017 | Bowe | B60Q 1/2615 |

* cited by examiner

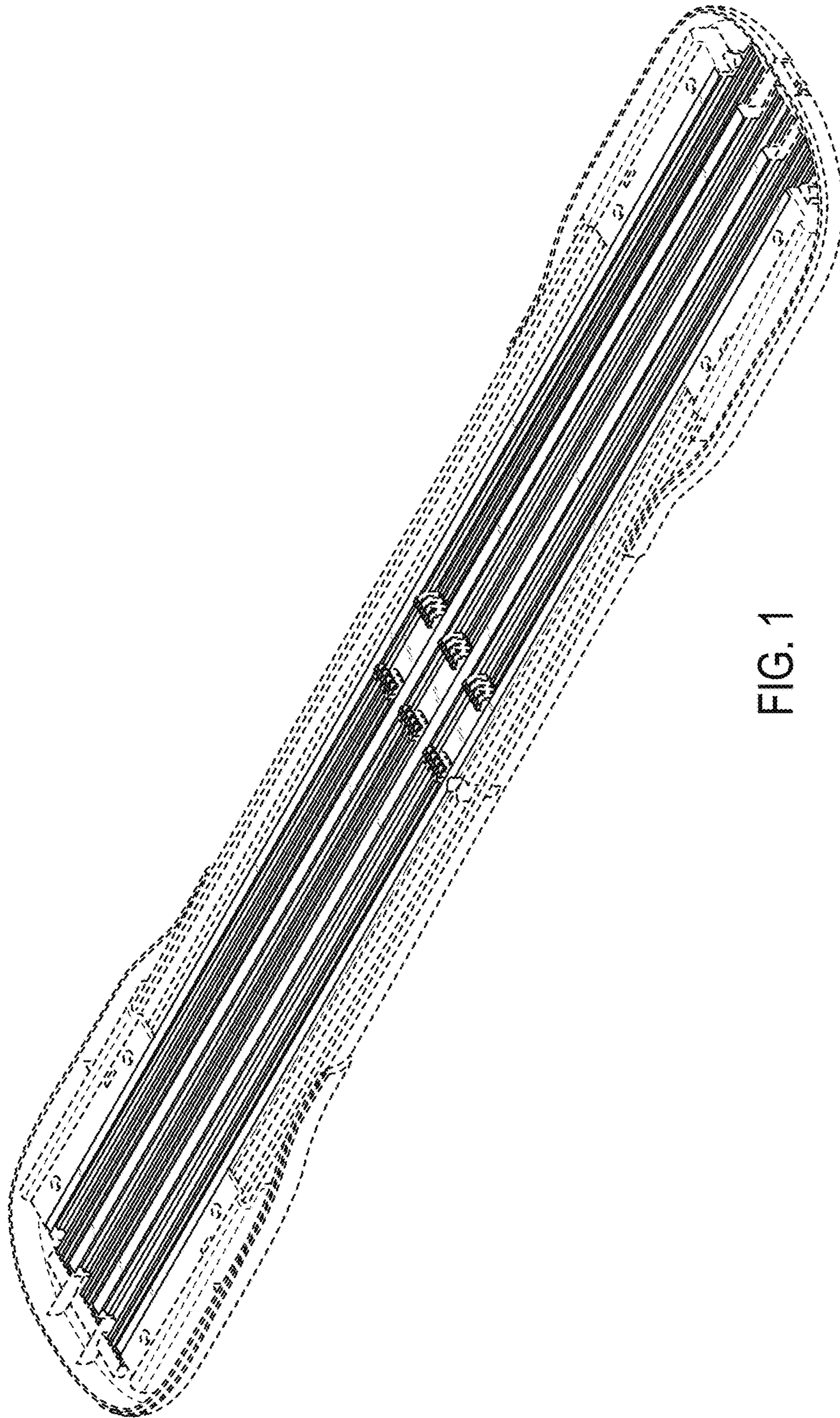


FIG. 1

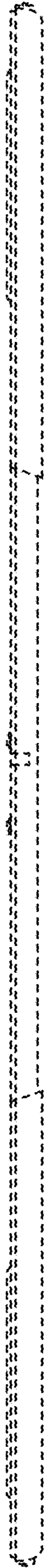


FIG. 2

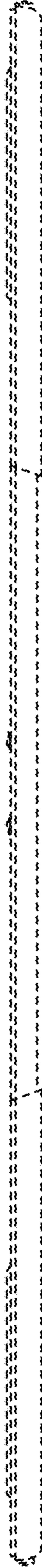


FIG. 3



FIG. 4

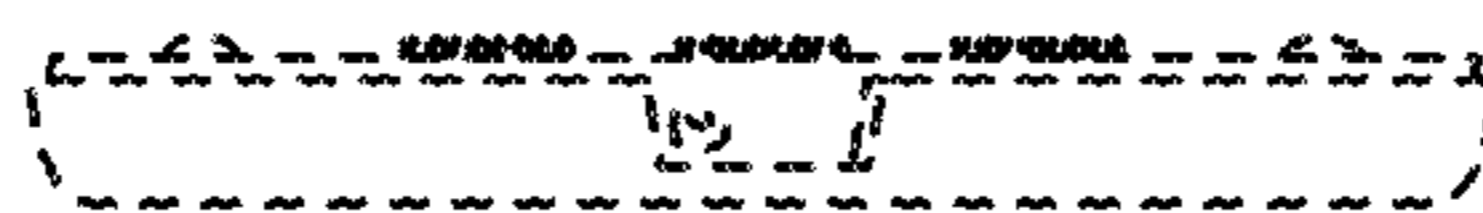


FIG. 5

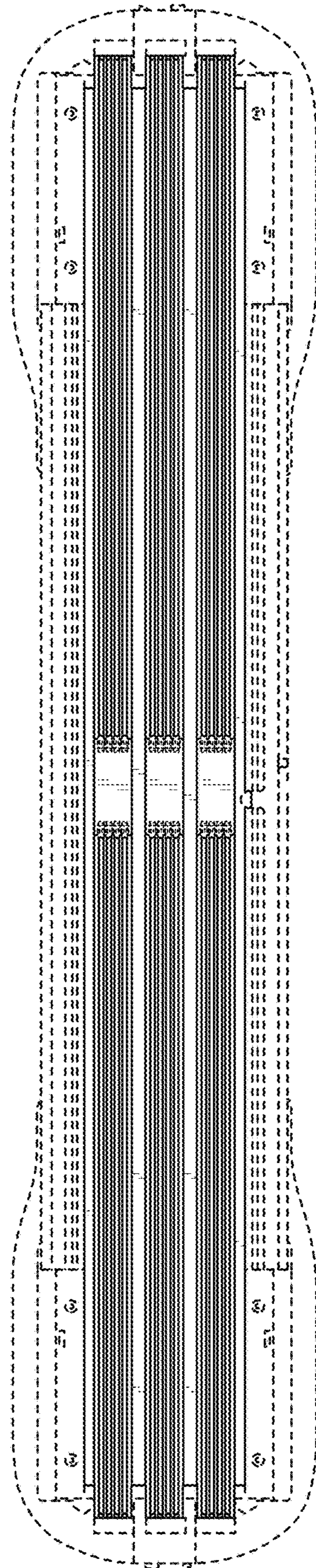


FIG. 6

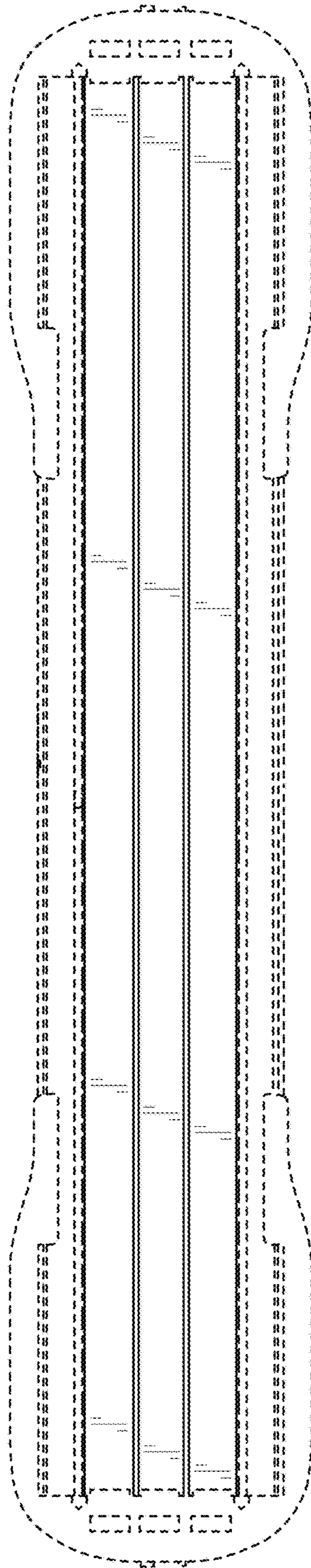


FIG. 7

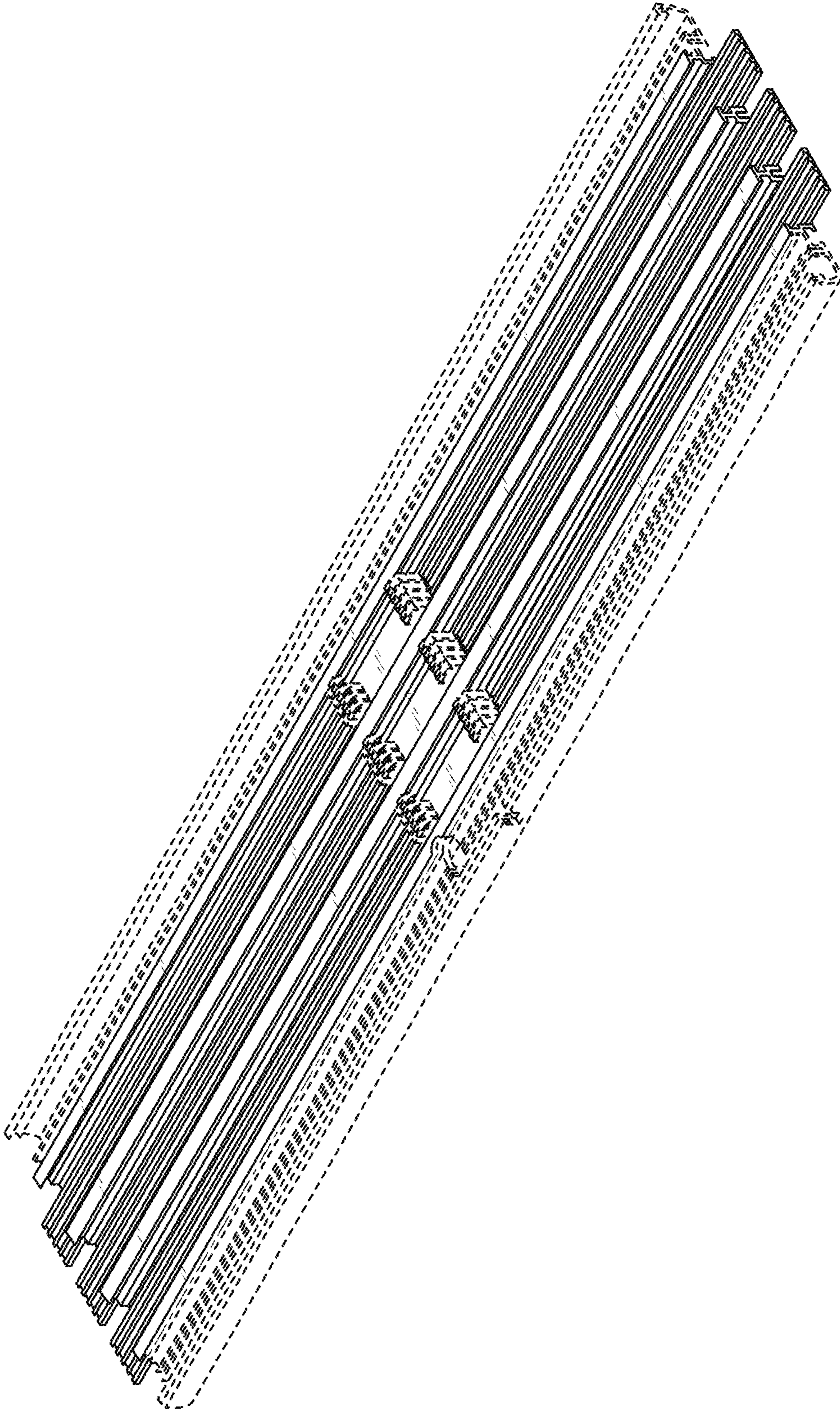


FIG. 8

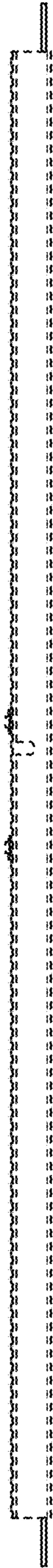


FIG. 9

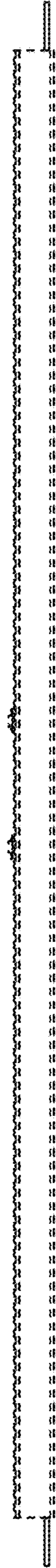


FIG. 10



FIG. 11



FIG. 12

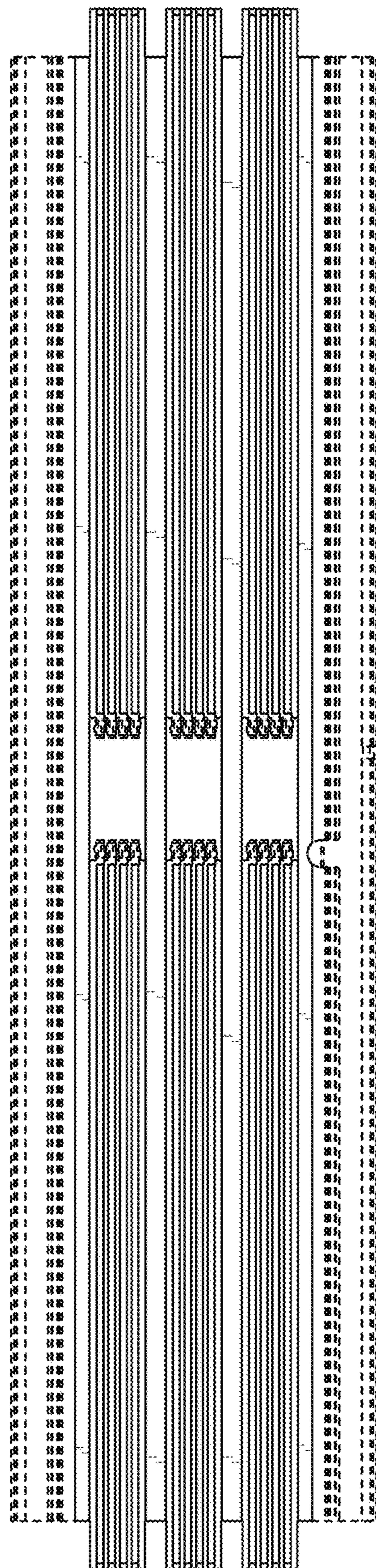


FIG. 13

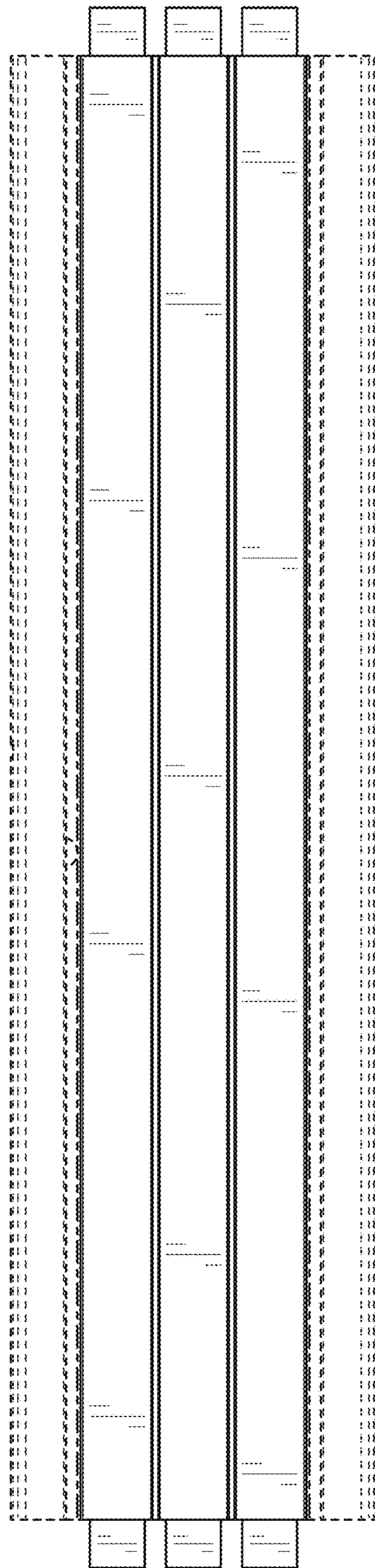


FIG. 14