



US00D805414S

(12) **United States Design Patent**  
**Pennebaker, III**

(10) **Patent No.:** **US D805,414 S**

(45) **Date of Patent:** **\*\* Dec. 19, 2017**

(54) **WIRELESS SENSOR SYSTEM**

8,079,265 B2 \* 12/2011 Brignac ..... G01N 29/226  
73/618

(71) Applicant: **E. Strode Pennebaker, III**, Houston,  
TX (US)

D662,845 S \* 7/2012 Guerrero ..... D10/96

\* cited by examiner

(72) Inventor: **E. Strode Pennebaker, III**, Houston,  
TX (US)

*Primary Examiner* — Antoine Duval Davis

(74) *Attorney, Agent, or Firm* — Osha Liang LLP

(\*\*) Term: **15 Years**

(21) Appl. No.: **29/574,481**

(57) **CLAIM**

The ornamental design for a wireless sensor system, as shown and described.

(22) Filed: **Aug. 16, 2016**

(51) **LOC (10) Cl.** ..... **10-04**

(52) **U.S. Cl.**

USPC ..... **D10/83; D10/102**

(58) **Field of Classification Search**

USPC ..... D10/46, 83, 84, 85, 96, 102

CPC ..... G01H 9/00; G01H 9/002; G01H 9/004;  
G01H 9/006; G01H 9/008; G01P 15/00;  
G01P 15/093; G01P 15/15; G01V 1/18;  
G01V 1/181; E21B 47/00; G01F 23/00;  
G01F 23/18; G01F 23/28; G01F 23/296;  
G01F 23/2962; G01F 25/0061; G01N  
29/06; G01N 29/0609; G01N 29/0618;  
G01N 29/0627; G01N 29/0636; G01N  
29/0645; G01N 29/07; G01N 29/09;  
G01N 29/11; G01N 29/12; G01N 29/22;  
G01N 29/221; G01N 29/222; G01N  
29/223; G01N 29/225; G01N 29/226;  
G01N 29/227; G01N 29/228

See application file for complete search history.

**DESCRIPTION**

FIG. 1 is a perspective view of a wireless sensor system showing a first embodiment of the new design;

FIG. 2 is a top view of the first embodiment of the wireless sensor system of FIG. 1;

FIG. 3 is a bottom view of the first embodiment of the wireless sensor system of FIG. 1;

FIG. 4 is a front view of the first embodiment of the wireless sensor system of FIG. 1;

FIG. 5 is a rear view of the first embodiment of the wireless sensor system of FIG. 1;

FIG. 6 is a left side view of the first embodiment of the wireless sensor system of FIG. 1;

FIG. 7 is a right side view of the first embodiment of the wireless sensor system of FIG. 1;

FIG. 8 is a perspective view of a wireless sensor system showing a second embodiment of the new design; and,

FIG. 9 is a perspective view of a wireless sensor system showing a third embodiment of the new design.

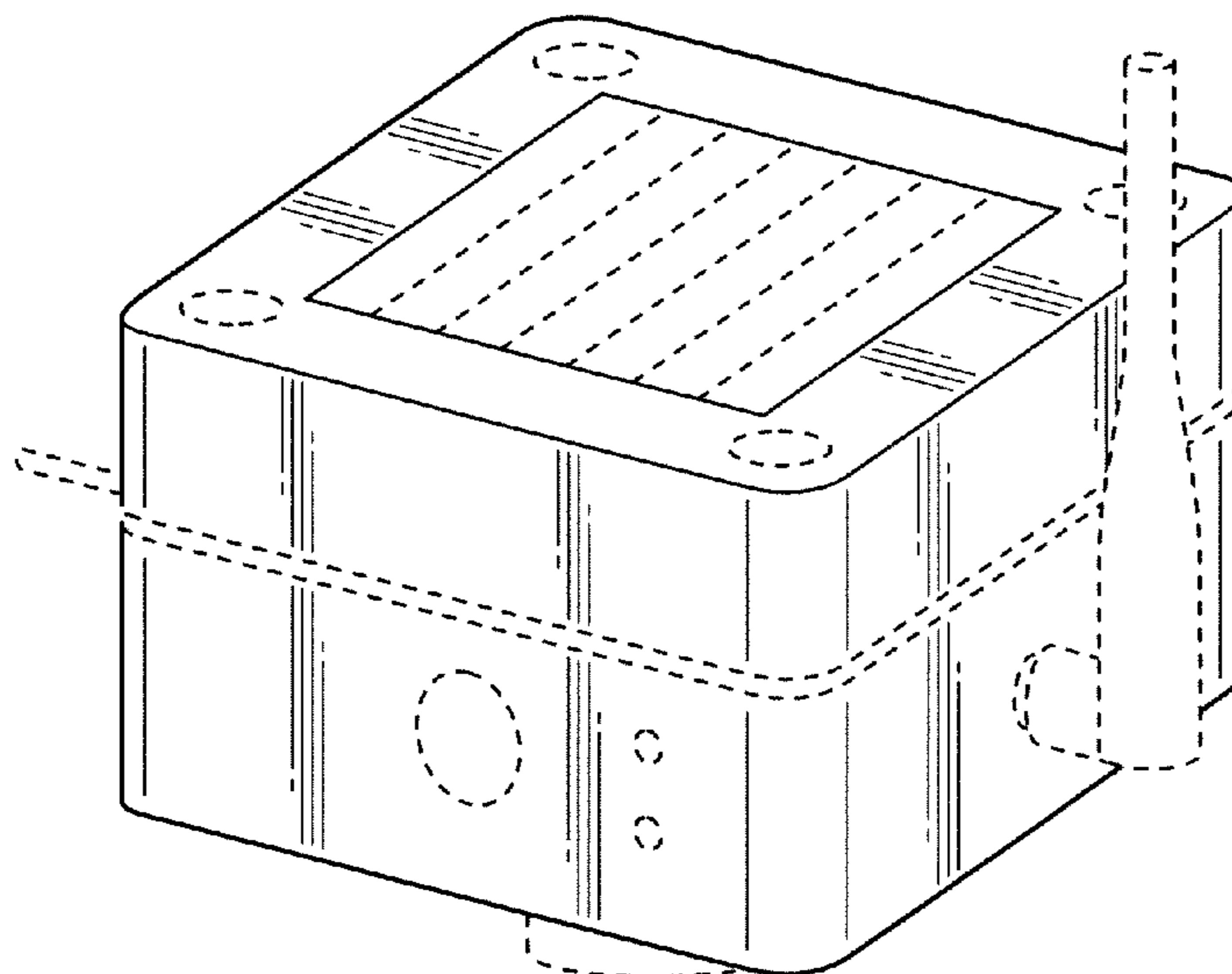
The broken lines depict unclaimed portions of the wireless sensor system and form no part of the claimed design.

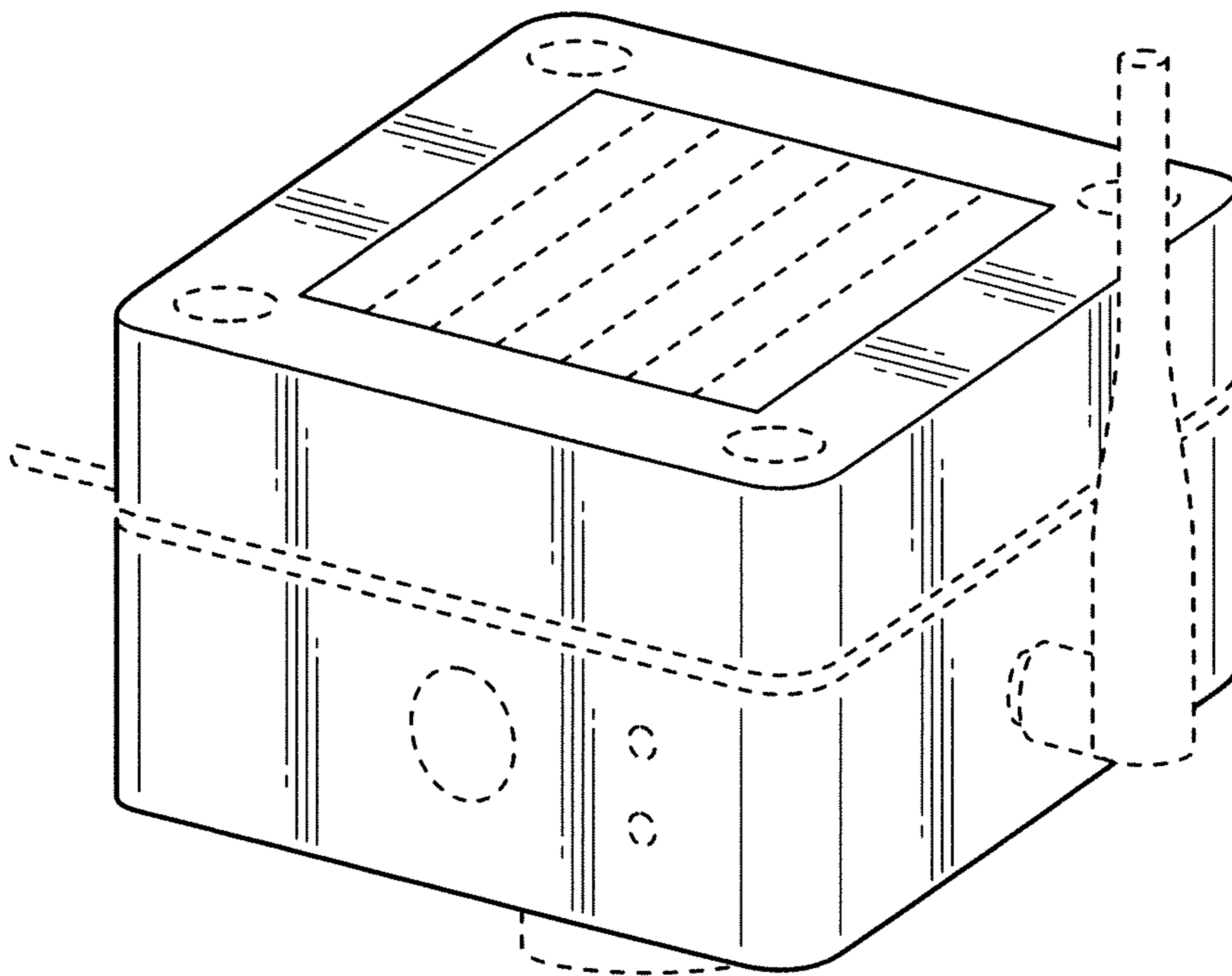
(56) **References Cited**

**U.S. PATENT DOCUMENTS**

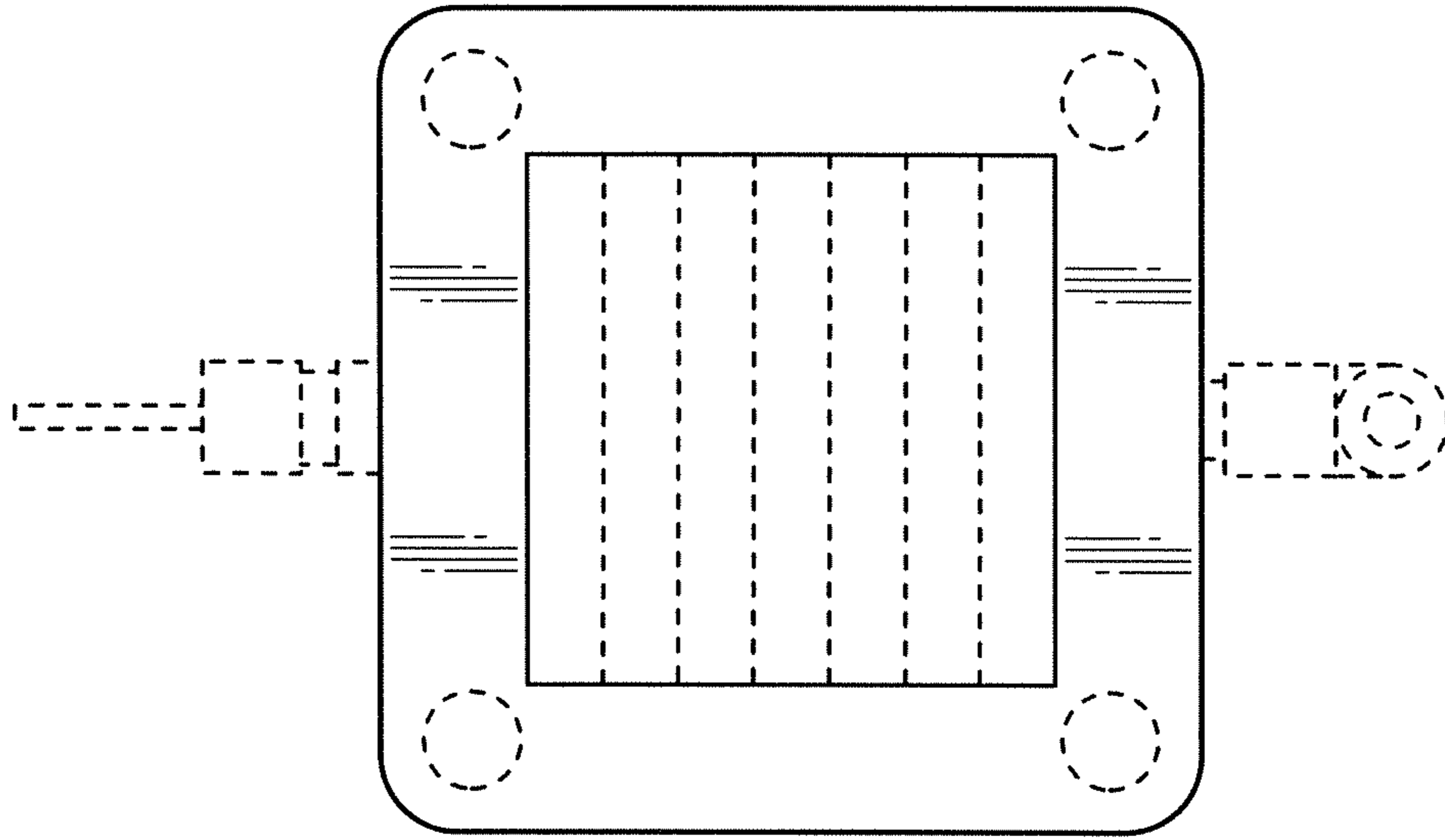
D296,770 S \* 7/1988 Lloyd ..... D10/102

**1 Claim, 6 Drawing Sheets**

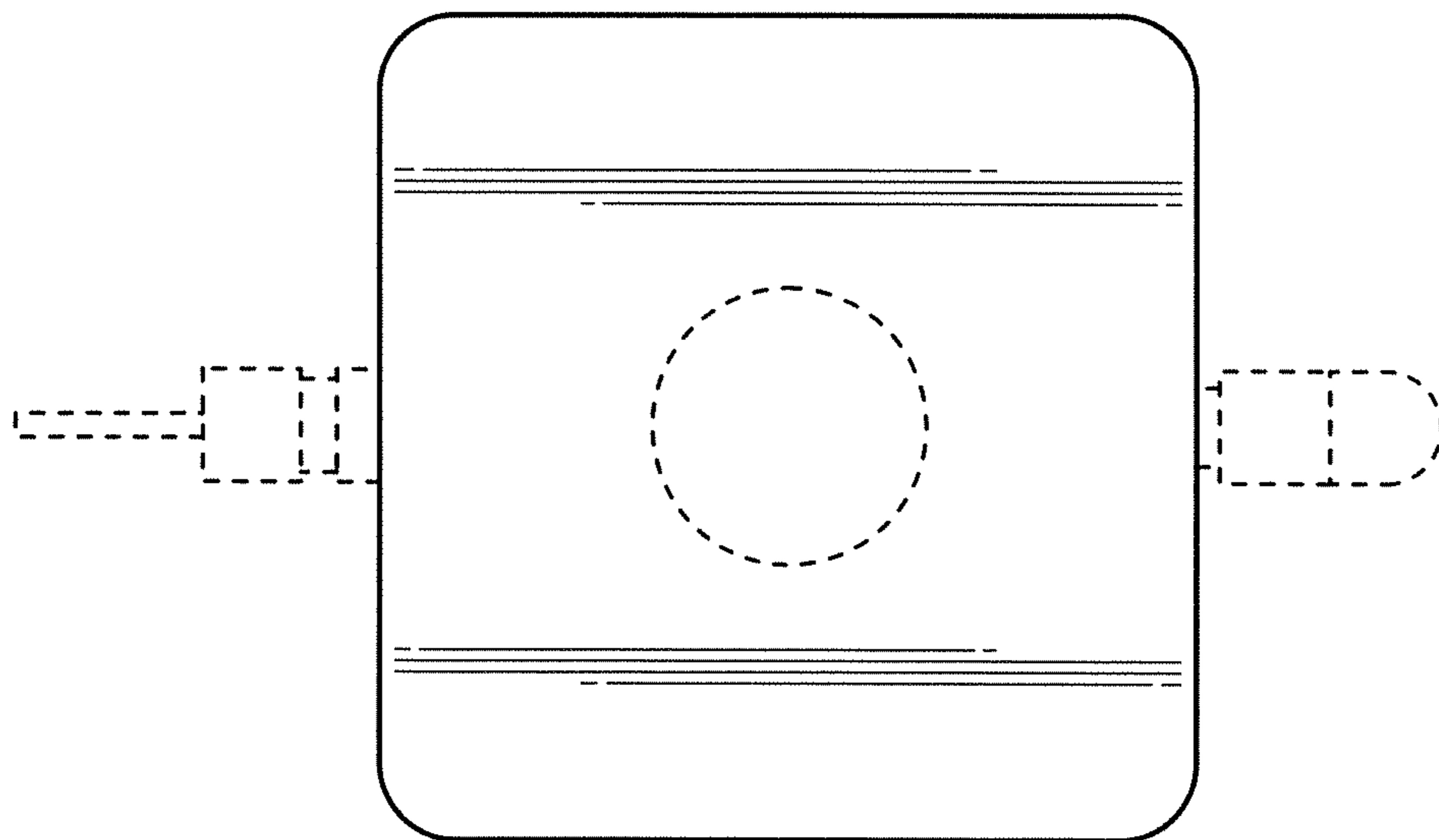




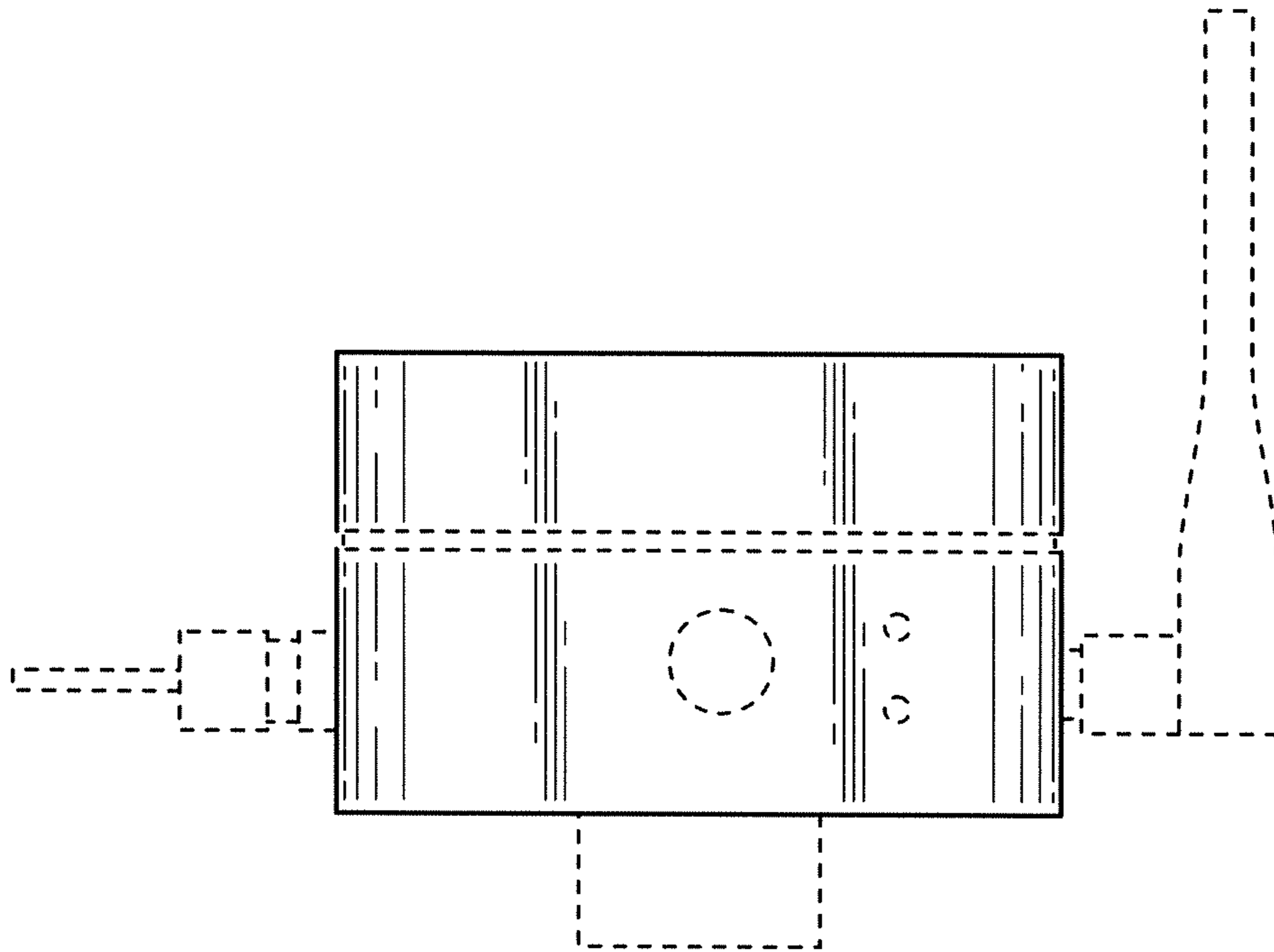
**FIG. 1**



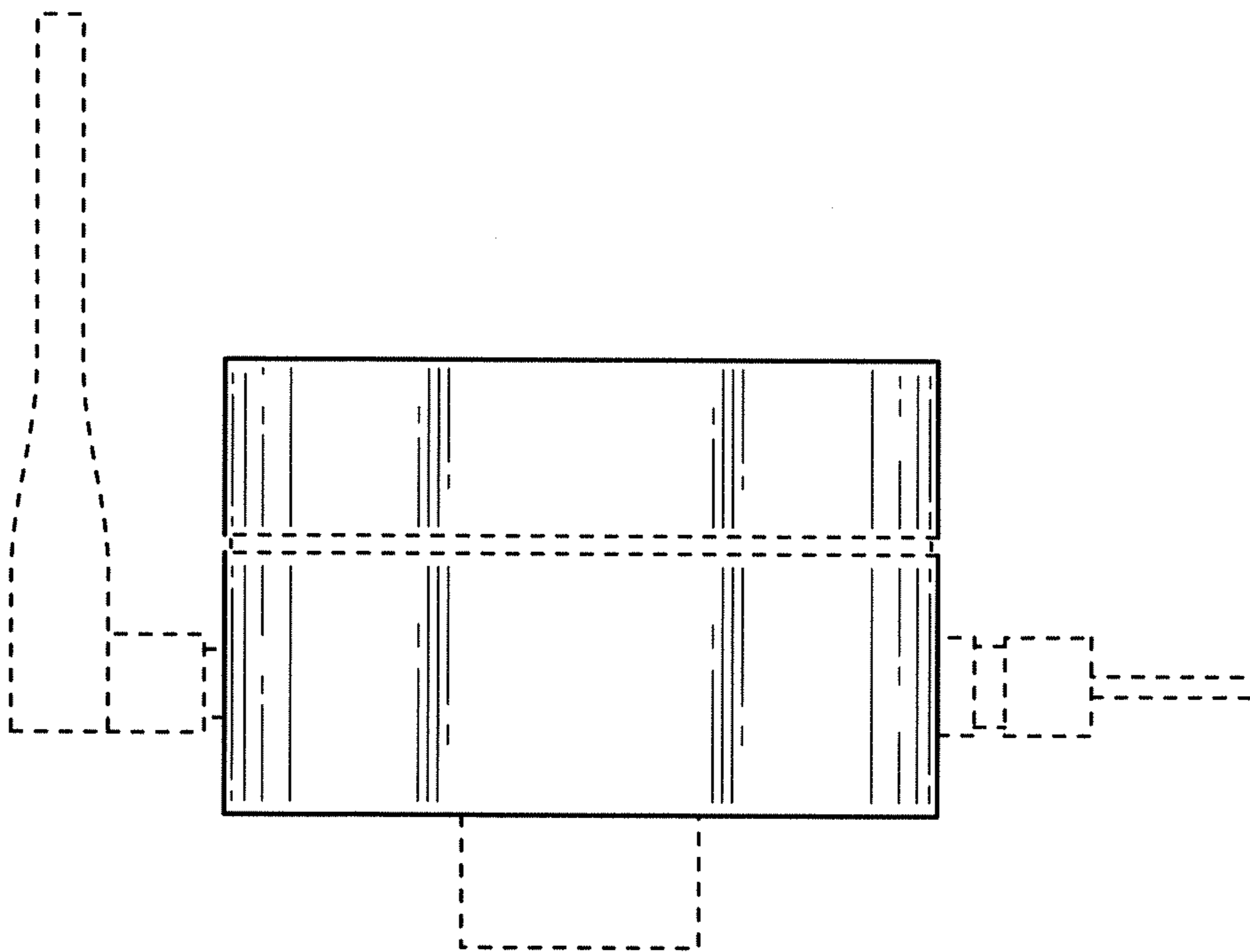
**FIG. 2**



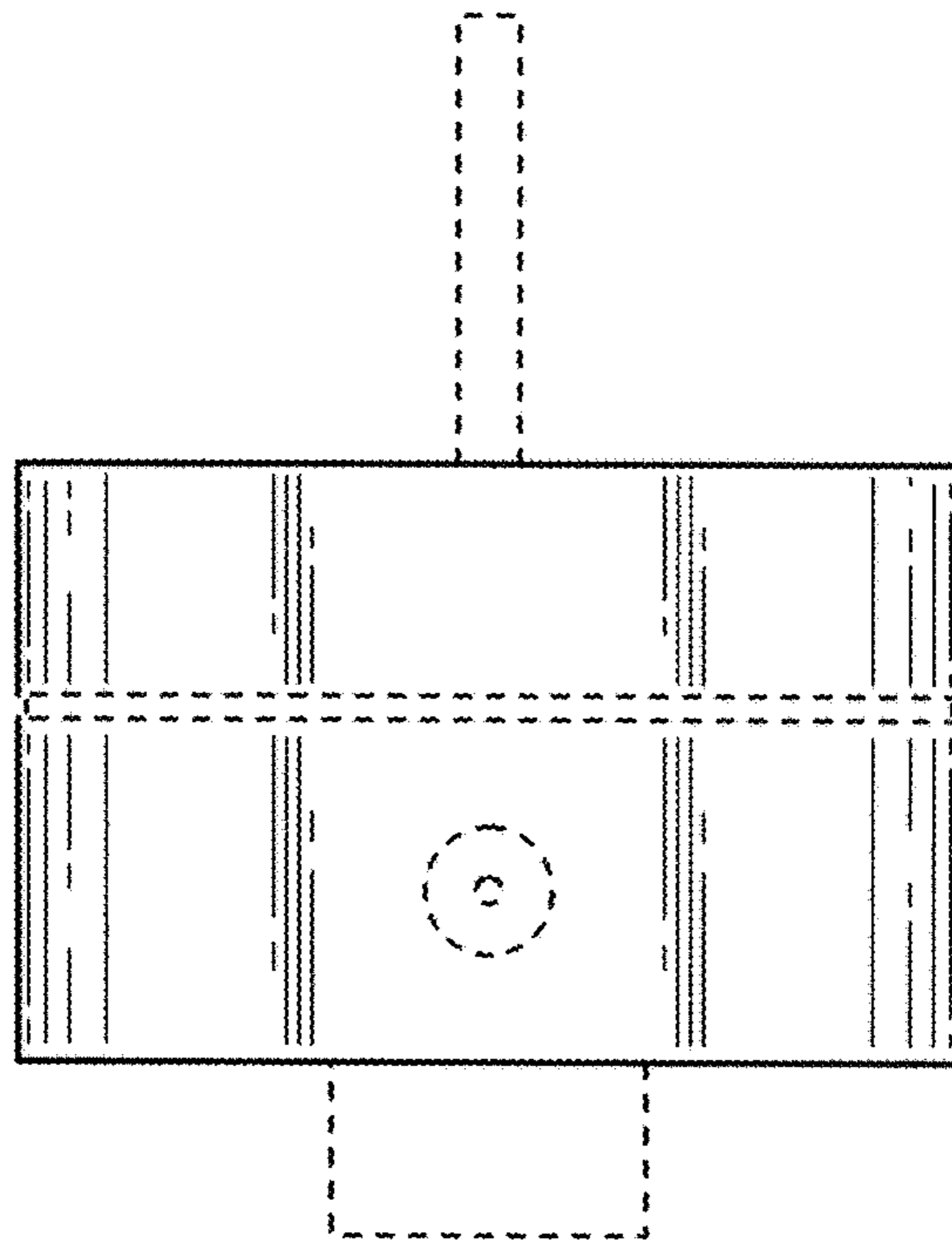
**FIG. 3**



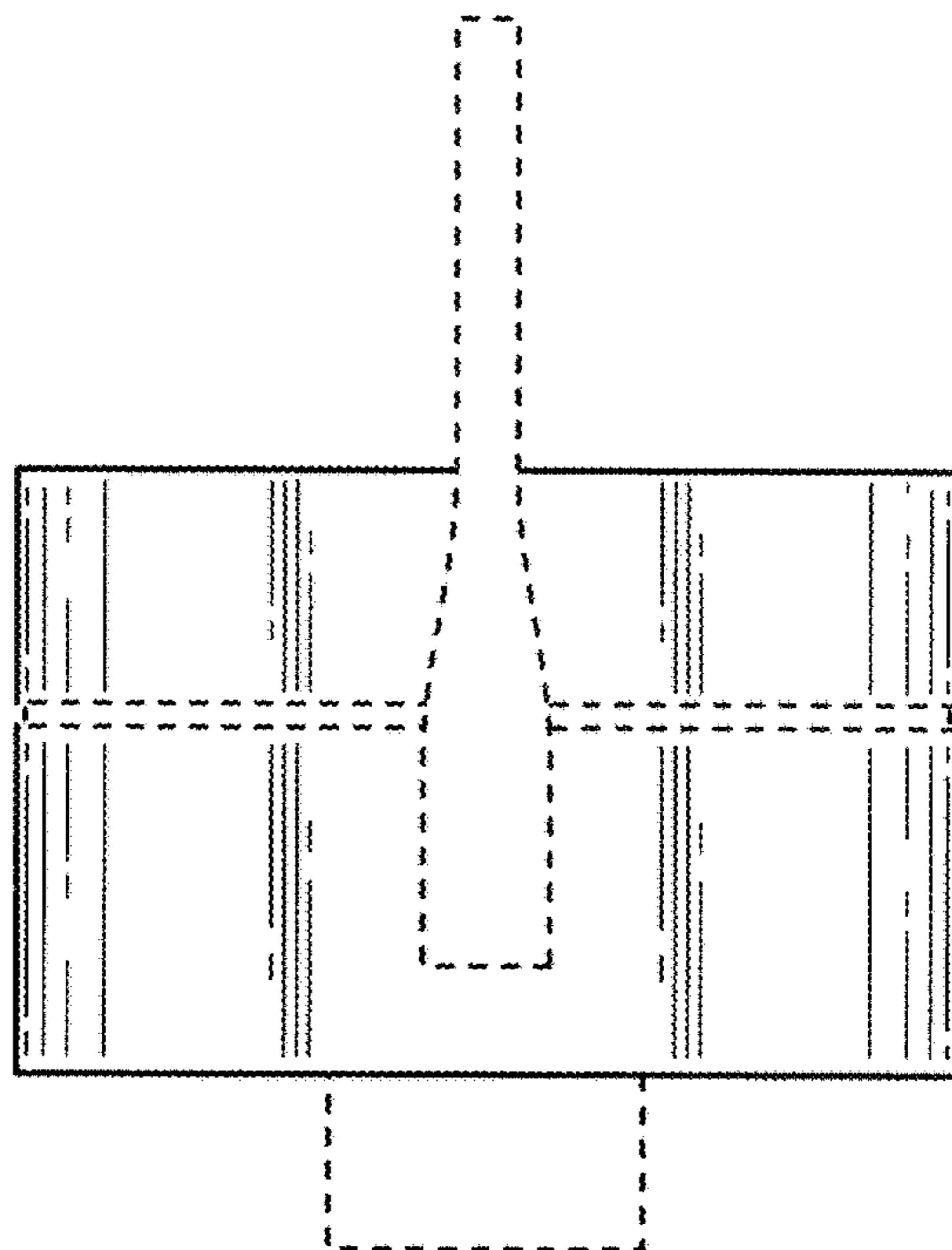
**FIG. 4**



**FIG. 5**



**FIG. 6**



**FIG. 7**



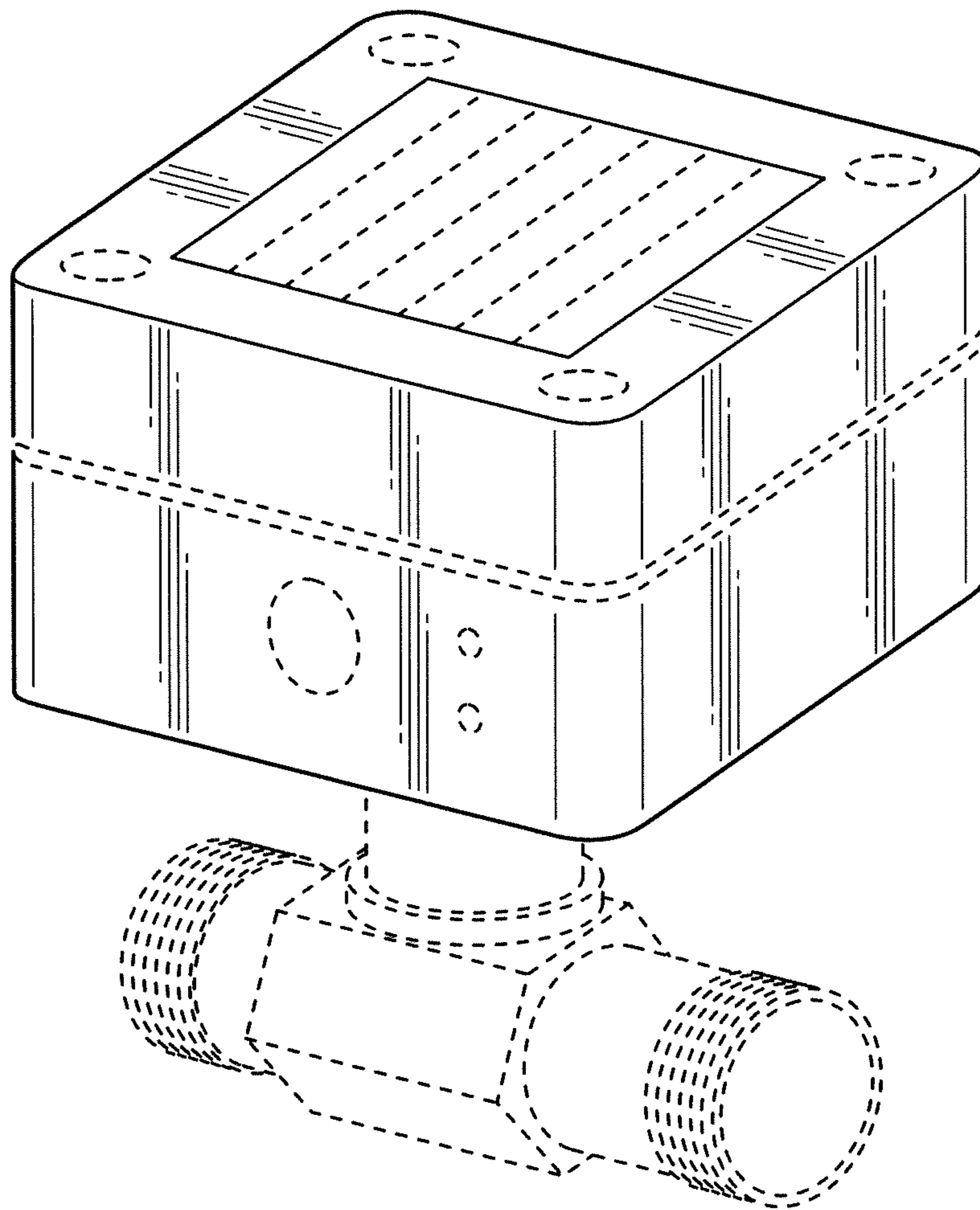


FIG. 8

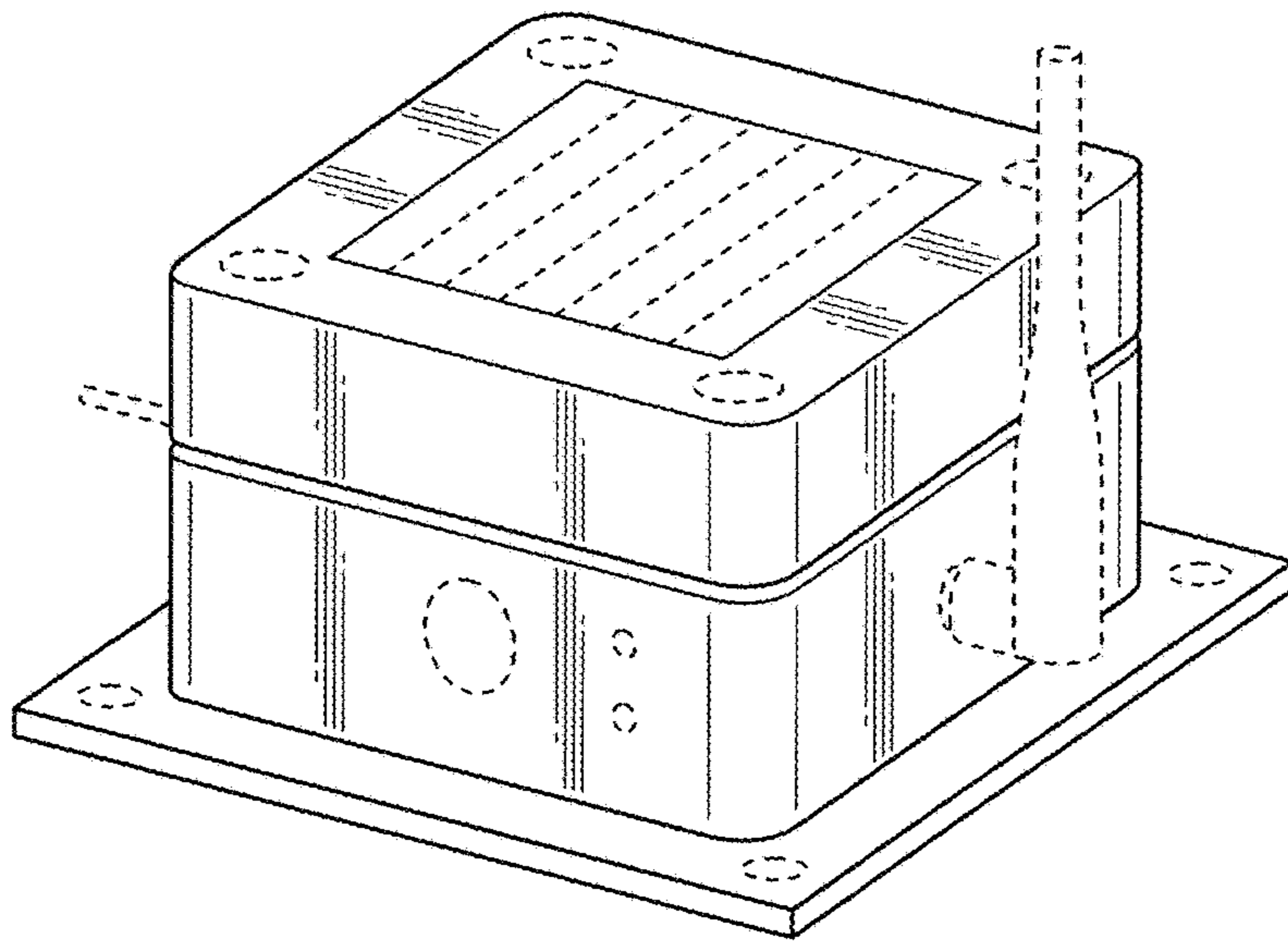


FIG. 9