



US00D805411S

(12) **United States Design Patent** (10) **Patent No.:** **US D805,411 S**
Roddy et al. (45) **Date of Patent:** **** Dec. 19, 2017**

(54) **FENCE PIPE PLUMB LEVEL**

DESCRIPTION

(71) Applicants: **Kenneth J Roddy**, Garland, TX (US);
Jeffrey H Roddy, Richardson, TX (US)

(72) Inventors: **Kenneth J Roddy**, Garland, TX (US);
Jeffrey H Roddy, Richardson, TX (US)

(**) Term: **15 Years**

(21) Appl. No.: **29/566,385**

(22) Filed: **May 28, 2016**

Related U.S. Application Data

(63) Continuation of application No. 29/529,419, filed on
Jun. 6, 2015, now Pat. No. Des. 761,396, which is a
(Continued)

(51) **LOC (10) Cl.** **10-01**

(52) **U.S. Cl.**
USPC **D10/69**

(58) **Field of Classification Search**
USPC D10/69, 74, 82
(Continued)

(56) **References Cited**

U.S. PATENT DOCUMENTS

385,516 A * 7/1888 Hutton G01C 9/36
33/390
2,408,253 A * 9/1946 Diebold H02G 7/00
138/110

(Continued)

Primary Examiner — Darlington Ly

Assistant Examiner — Daniel J Domino

(74) *Attorney, Agent, or Firm* — Jeffrey Roddy

(57) **CLAIM**

The ornamental design for a fence pipe plumb level, as
shown and described.

FIG. 1 is a side elevation showing a first embodiment of our
new design for a magnetic fence pipe plumb level, the
opposite side being a mirror image thereof;

FIG. 2 is a top plan view thereof;

FIG. 3 is a bottom plan view thereof;

FIG. 4 is an end view thereof;

FIG. 5 is an end view opposite that shown in (FIG. 5);

FIG. 6 is a perspective view thereof;

FIG. 7 is a side elevation showing a second embodiment of
our new design, the opposite side being a mirror image
thereof;

FIG. 8 is a bottom plan view thereof;

FIG. 9 is a top plan view thereof;

FIG. 10 is an end view thereof;

FIG. 11 is an end view opposite that shown in (FIG. 10);

FIG. 12 is a perspective view thereof;

FIG. 13 is a side elevation showing a third embodiment of
our new design, the opposite side being a mirror image
thereof;

FIG. 14 is a top plan view thereof;

FIG. 15 is a bottom plan view thereof;

FIG. 16 is an end view thereof;

FIG. 17 is an end view opposite that shown in (FIG. 16);

FIG. 18 is a perspective view thereof;

FIG. 19 is a side elevation showing a fourth embodiment of
our new design, the opposite side being a mirror image
thereof;

FIG. 20 is a bottom plan view thereof;

FIG. 21 is a top plan view thereof;

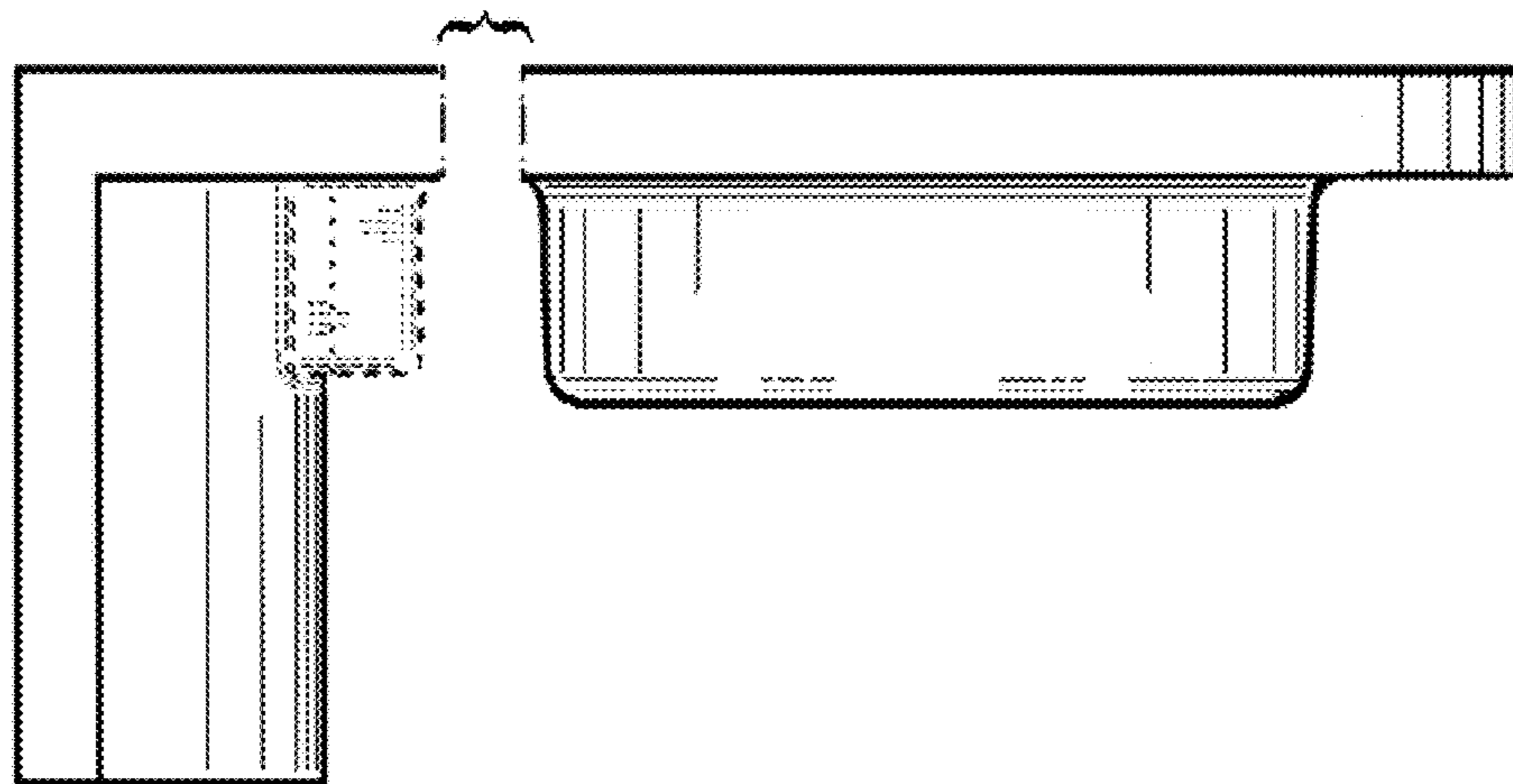
FIG. 22 is an end view thereof;

FIG. 23 is an end view opposite that shown in (FIG. 22);
and,

FIG. 24 is a perspective view thereof.

The article includes a symbolic break in a portion of the
article. The appearance of the article between the break lines
forms no part of the claimed design. The broken lines
showing portions of the article form no part of the claimed
design.

1 Claim, 4 Drawing Sheets



Related U.S. Application Data

continuation-in-part of application No. 29/484,893,
filed on Mar. 13, 2014, now Pat. No. Des. 728,751.

(58) **Field of Classification Search**

CPC ... G01C 9/24; G01C 9/26; G01C 9/28; G01C
9/30; G01C 9/32; G01C 9/34; G01C 9/36
See application file for complete search history.

(56) **References Cited**

U.S. PATENT DOCUMENTS

2,850,045 A * 9/1958 Soehlen F16L 55/1683
138/92
D189,229 S * 11/1960 Bowne D23/265
3,385,545 A * 5/1968 Patton F16L 3/222
248/228.5
3,826,013 A * 7/1974 Baher G01C 9/24
33/373
3,963,140 A * 6/1976 Harding B65D 41/44
215/254
D242,231 S * 11/1976 Shaffer D10/69
4,139,883 A * 2/1979 Ilzig F16C 11/04
248/278.1
4,244,542 A * 1/1981 Mathews F16L 3/222
138/112
D270,140 S * 8/1983 Berglund D9/438
4,407,472 A * 10/1983 Beck A62C 33/04
24/339
D310,772 S * 9/1990 Johnson D10/69
5,020,572 A * 6/1991 Hunt B23P 6/04
138/97
D332,753 S * 1/1993 Jones D10/69
D372,074 S * 7/1996 Wallace D23/269

5,660,417 A * 8/1997 Reeves F16L 23/18
116/201
D409,293 S * 5/1999 Senninger D23/265
D468,002 S * 12/2002 Steffan D23/249
D579,803 S * 11/2008 Crain D10/69
8,776,328 B2 * 7/2014 Kodi E04C 5/163
24/339
D714,917 S * 10/2014 Miller D23/269
D726,053 S * 4/2015 Yin D10/101
D728,751 S * 5/2015 Roddy D23/262
D729,642 S * 5/2015 Peterson D10/63
D730,208 S * 5/2015 Ben Josef D10/69
D735,063 S * 7/2015 Wojciechowski D10/69
D735,064 S * 7/2015 Wojciechowski D10/69
D740,400 S * 10/2015 Roddy D23/262
D745,382 S * 12/2015 Faria D8/396
D747,275 S * 1/2016 Rodrigue D13/155
D747,276 S * 1/2016 Rodrigue D13/155
D750,760 S * 3/2016 Roddy D23/262
9,315,980 B2 * 4/2016 Stonecipher E03D 11/14
D761,396 S * 7/2016 Roddy D23/262
D763,710 S * 8/2016 Barthold D10/69
D777,301 S * 1/2017 Roddy D23/262
D780,607 S * 3/2017 Hong D10/69
D786,718 S * 5/2017 Burge D10/69
2006/0048418 A1 * 3/2006 Boire G09F 3/205
40/316
2007/0034758 A1 * 2/2007 Bates E04H 12/2276
248/218.4
2012/0111280 A1 * 5/2012 Shin A01K 7/025
119/78
2013/0032130 A1 * 2/2013 Jacques A47J 33/00
126/30
2013/0152291 A1 * 6/2013 Stonecipher E03D 11/16
4/252.1

* cited by examiner

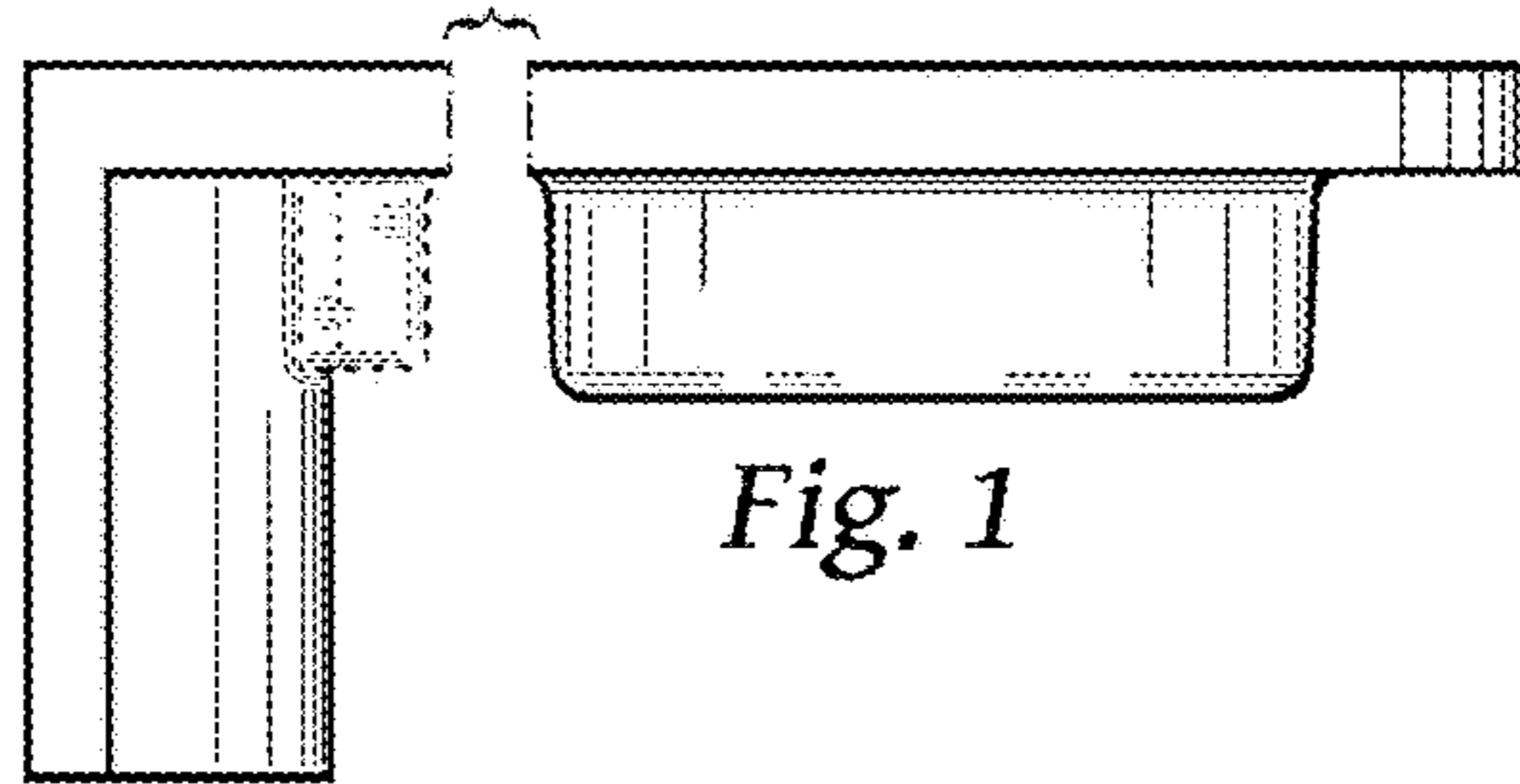


Fig. 1

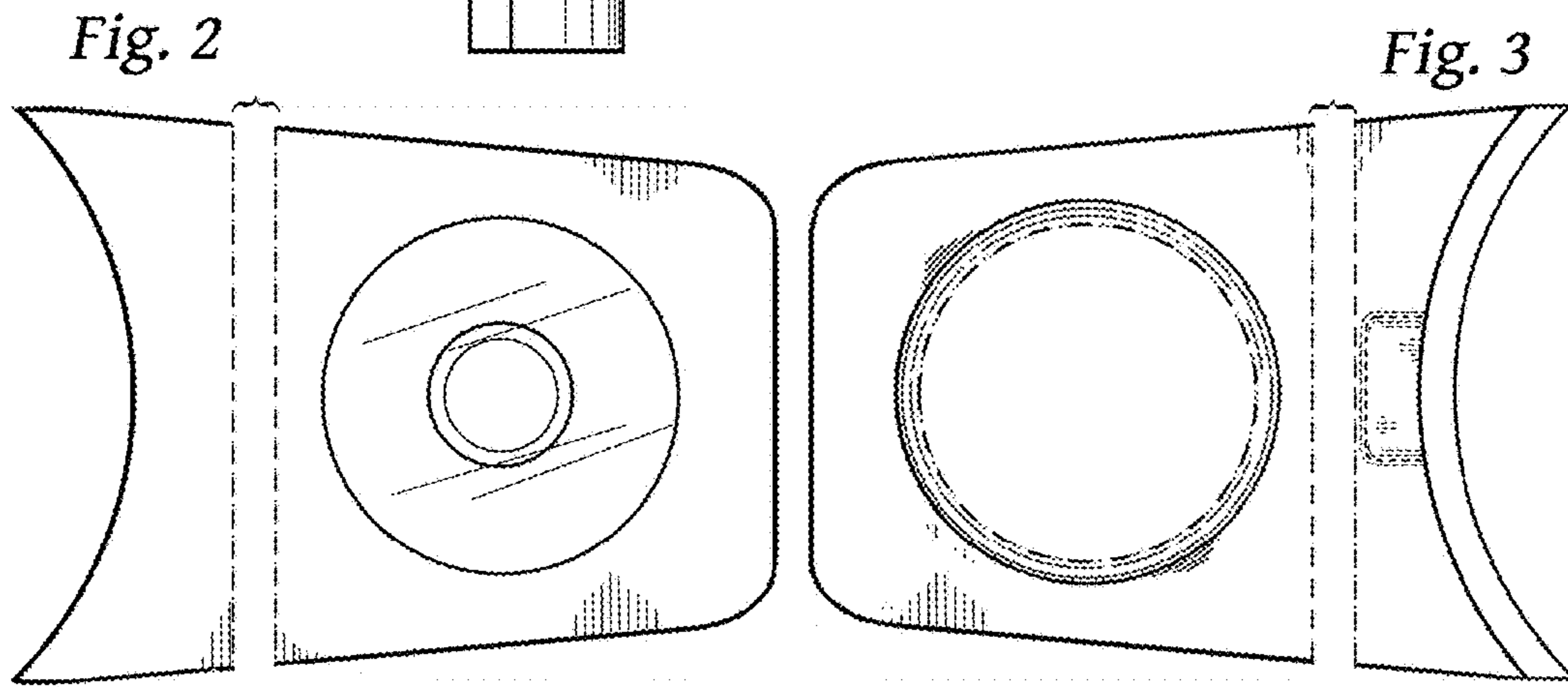


Fig. 2

Fig. 3

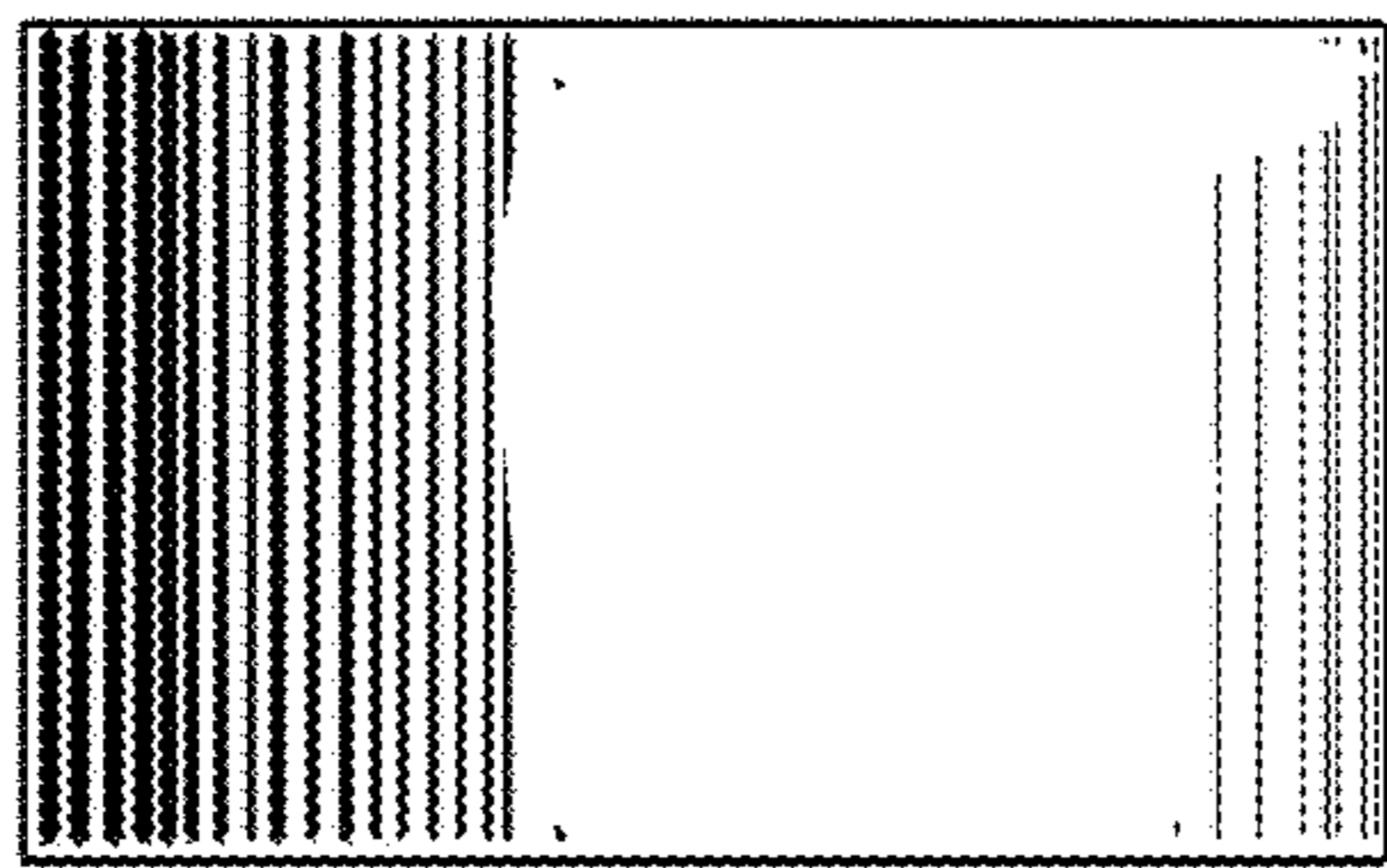


Fig. 4

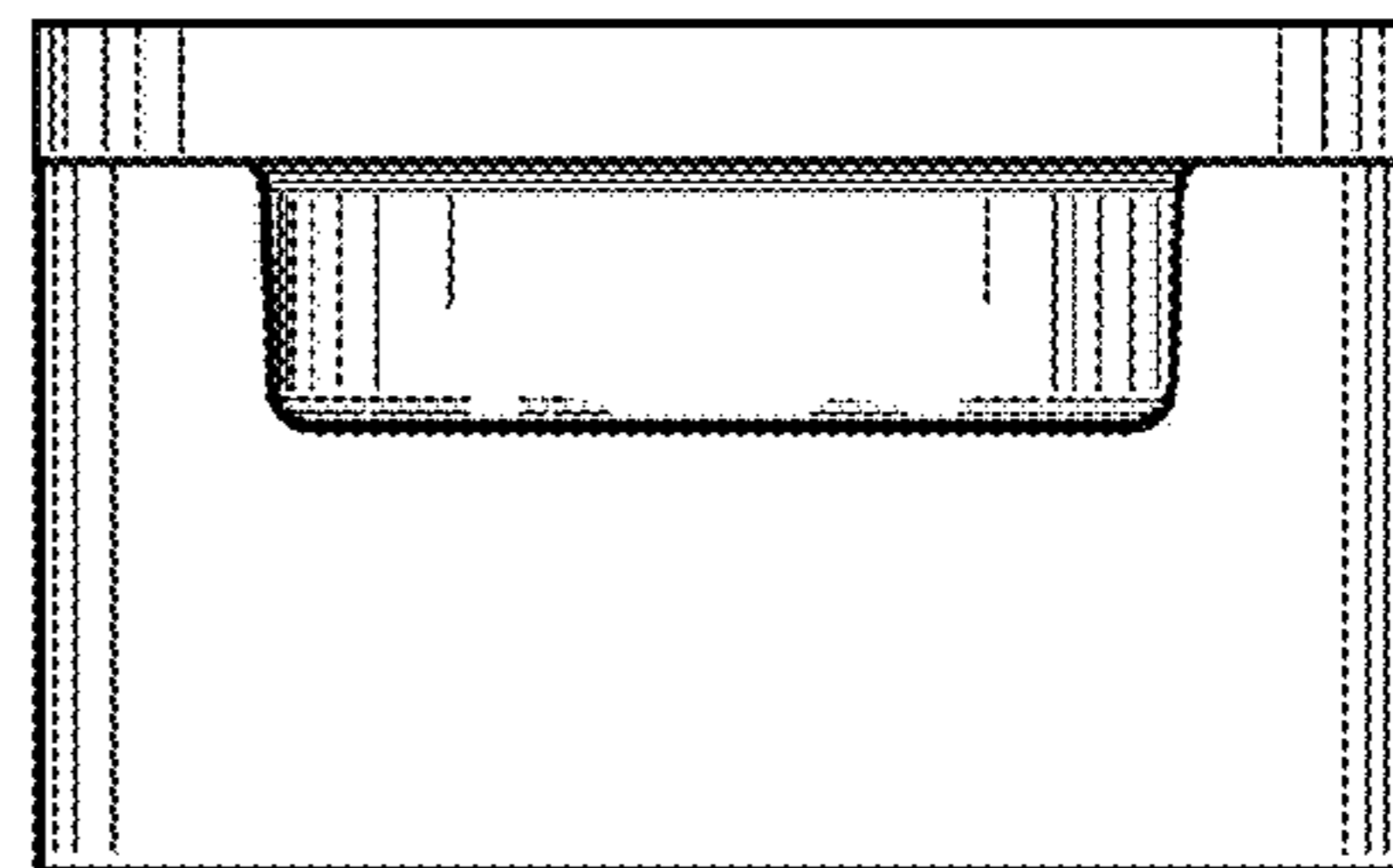


Fig. 5

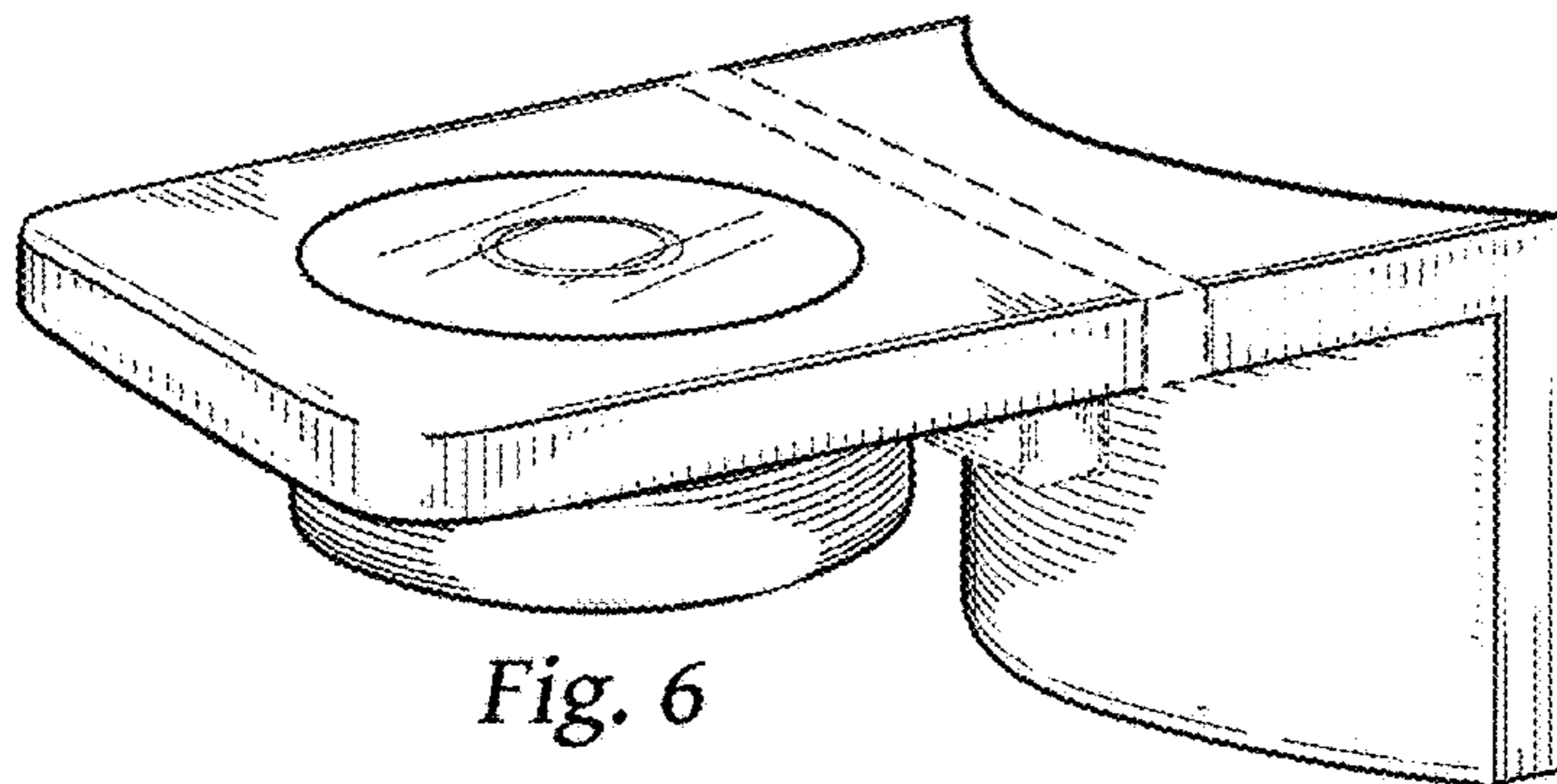
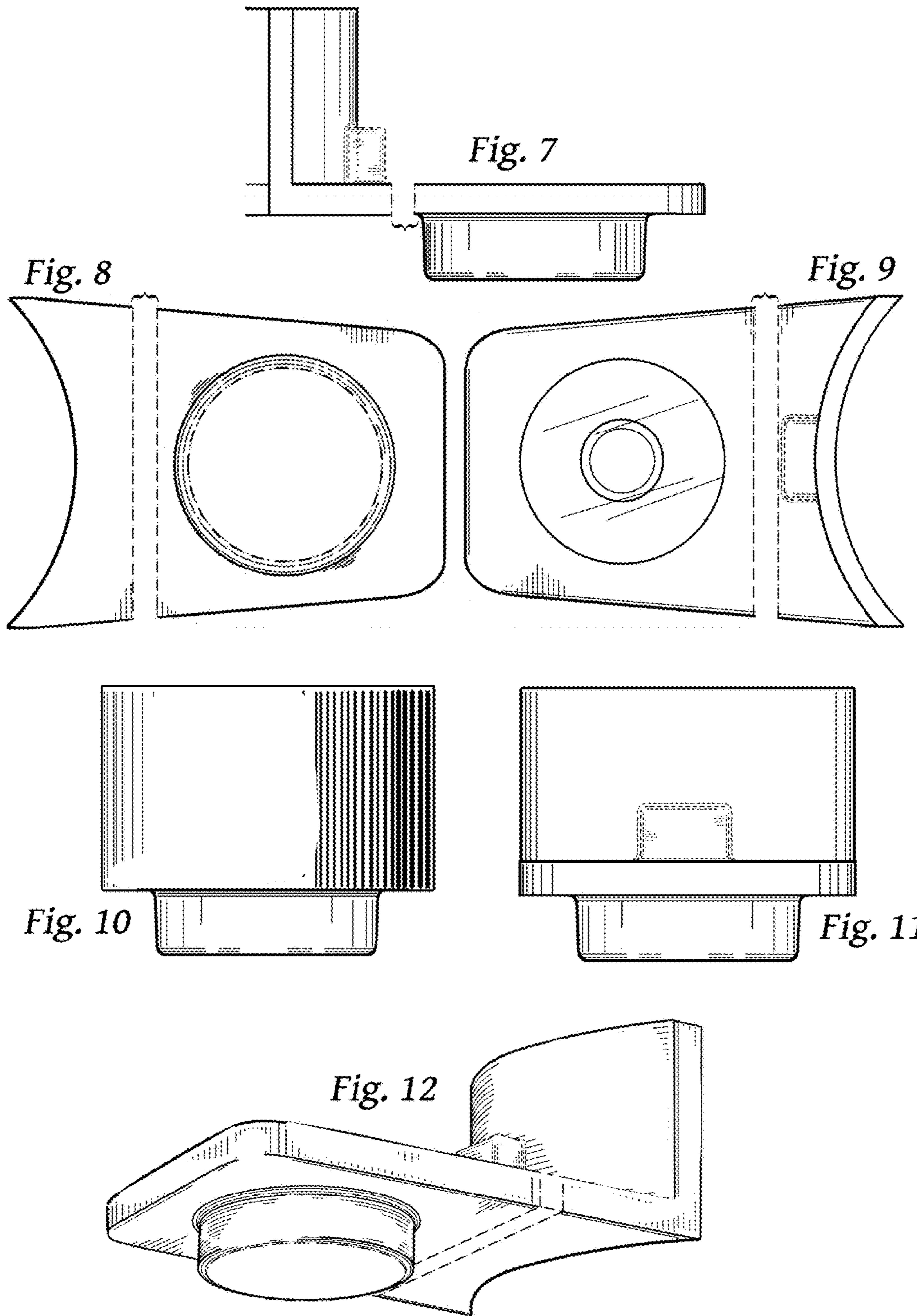


Fig. 6



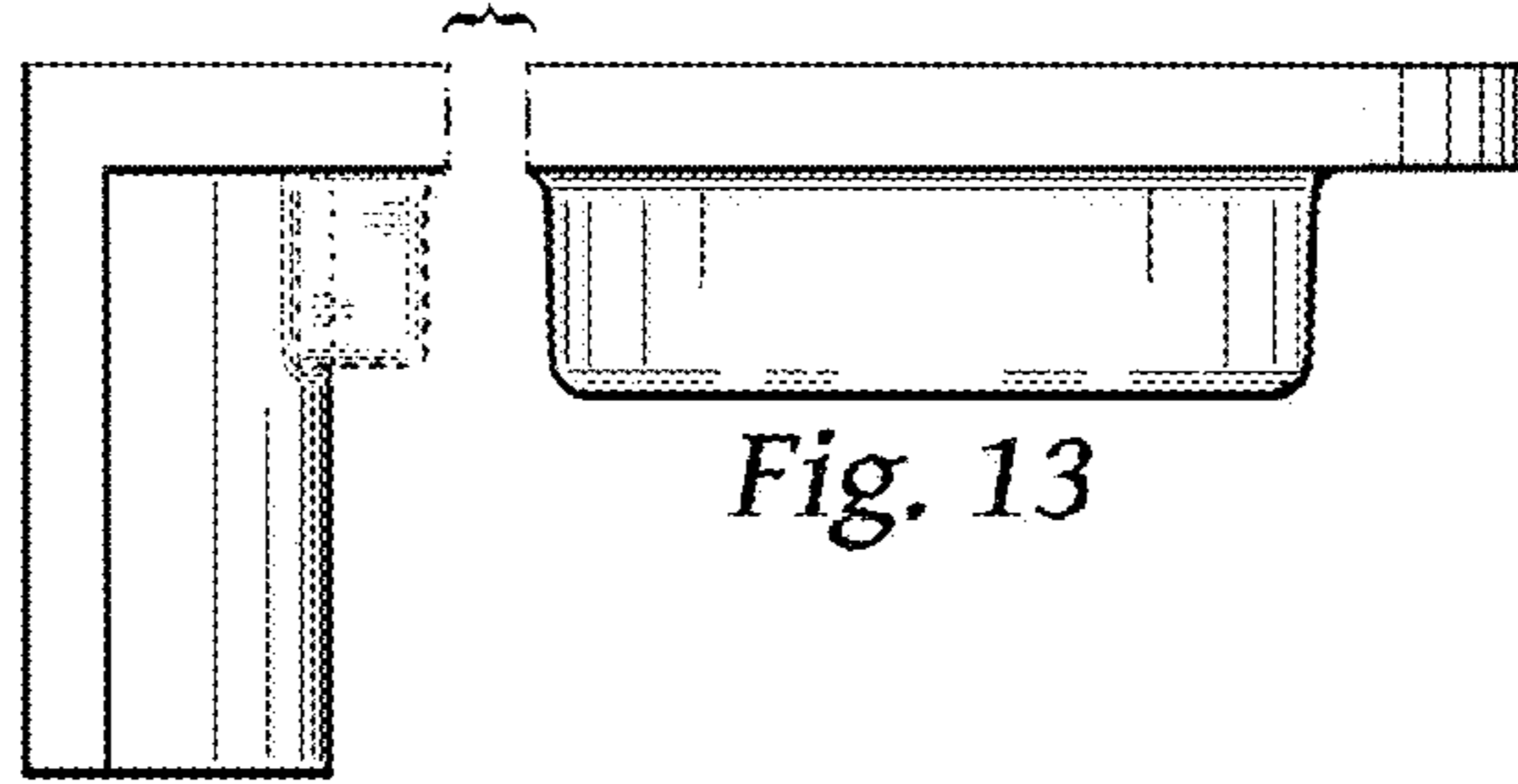


Fig. 13

Fig. 14

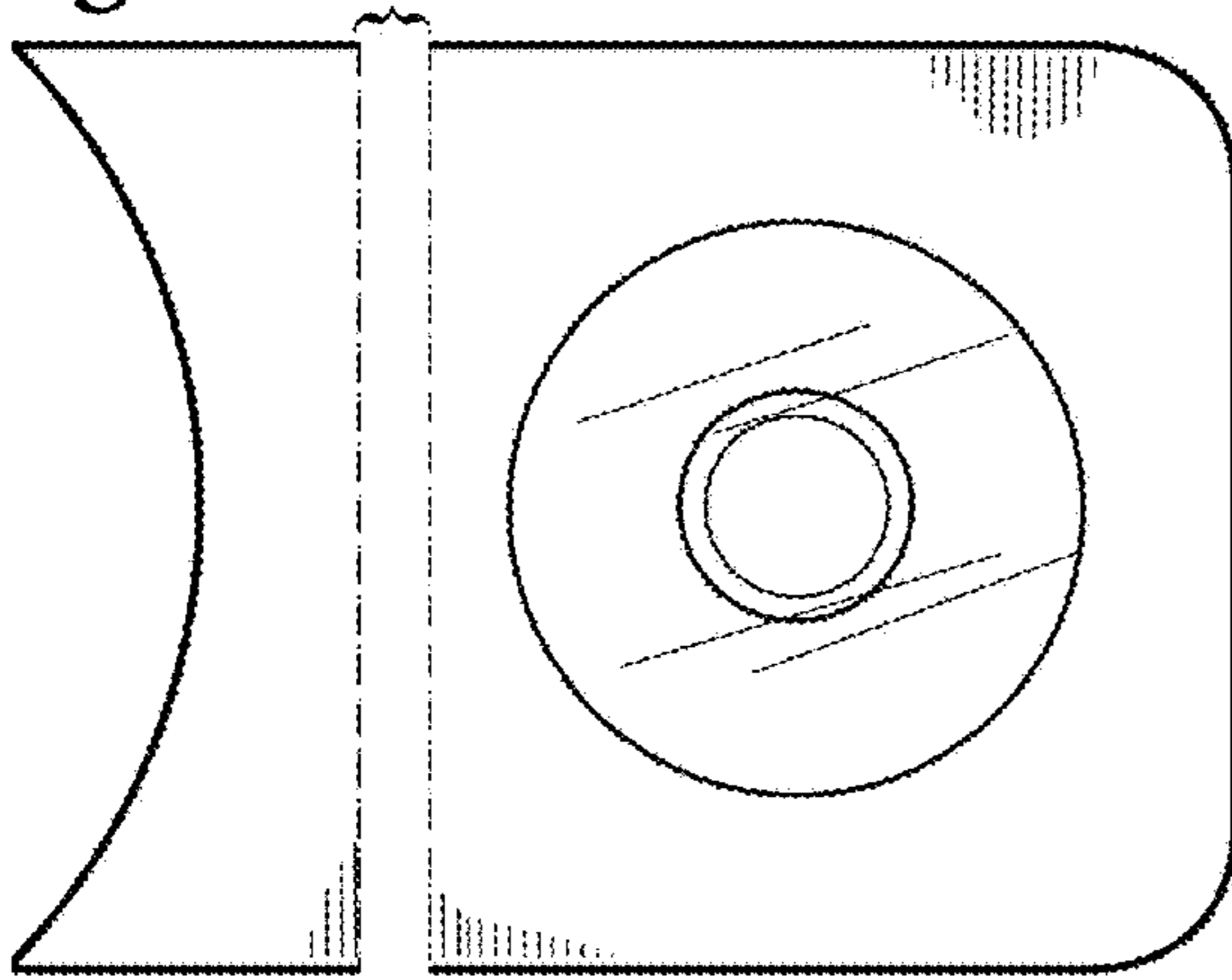


Fig. 15

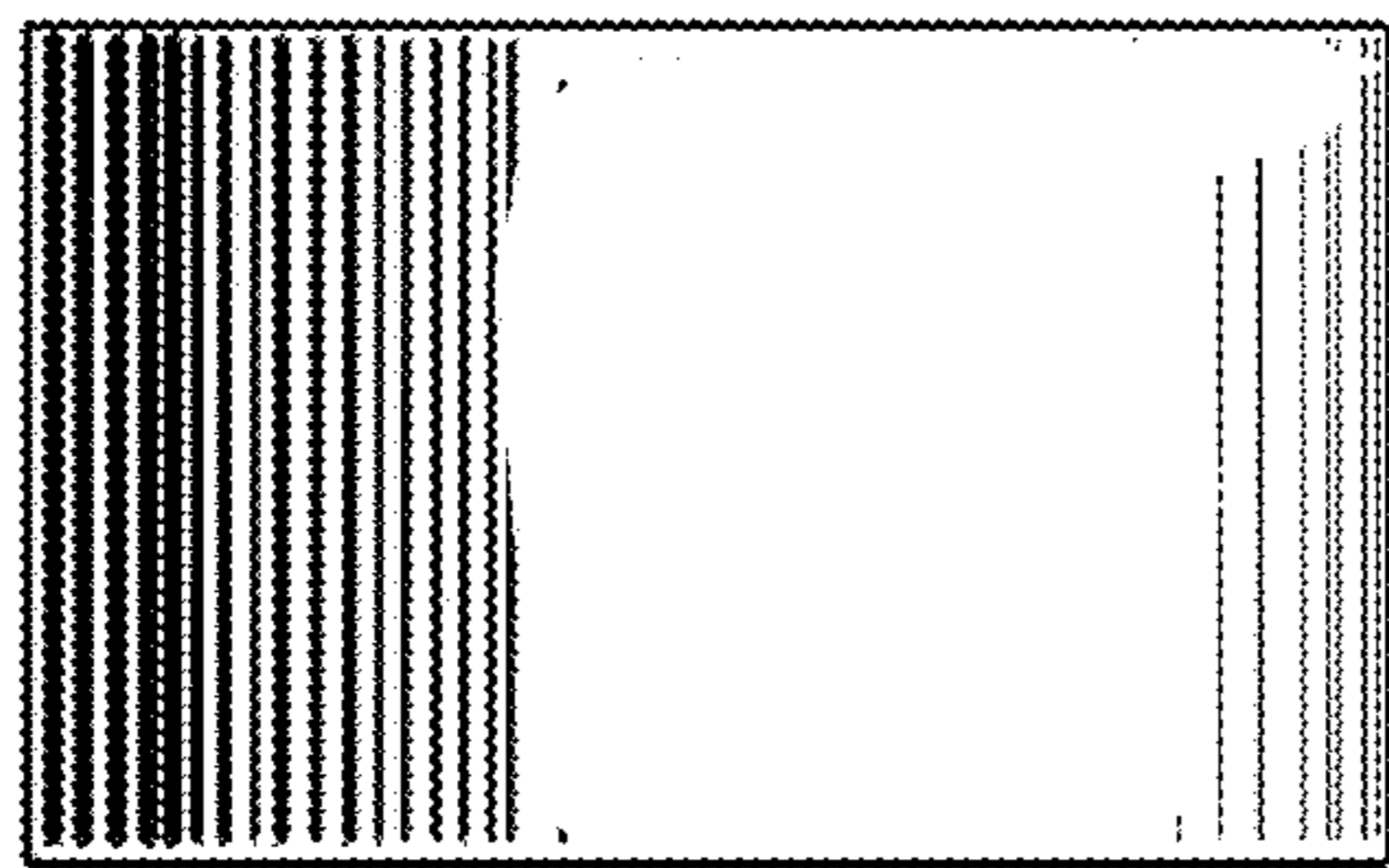
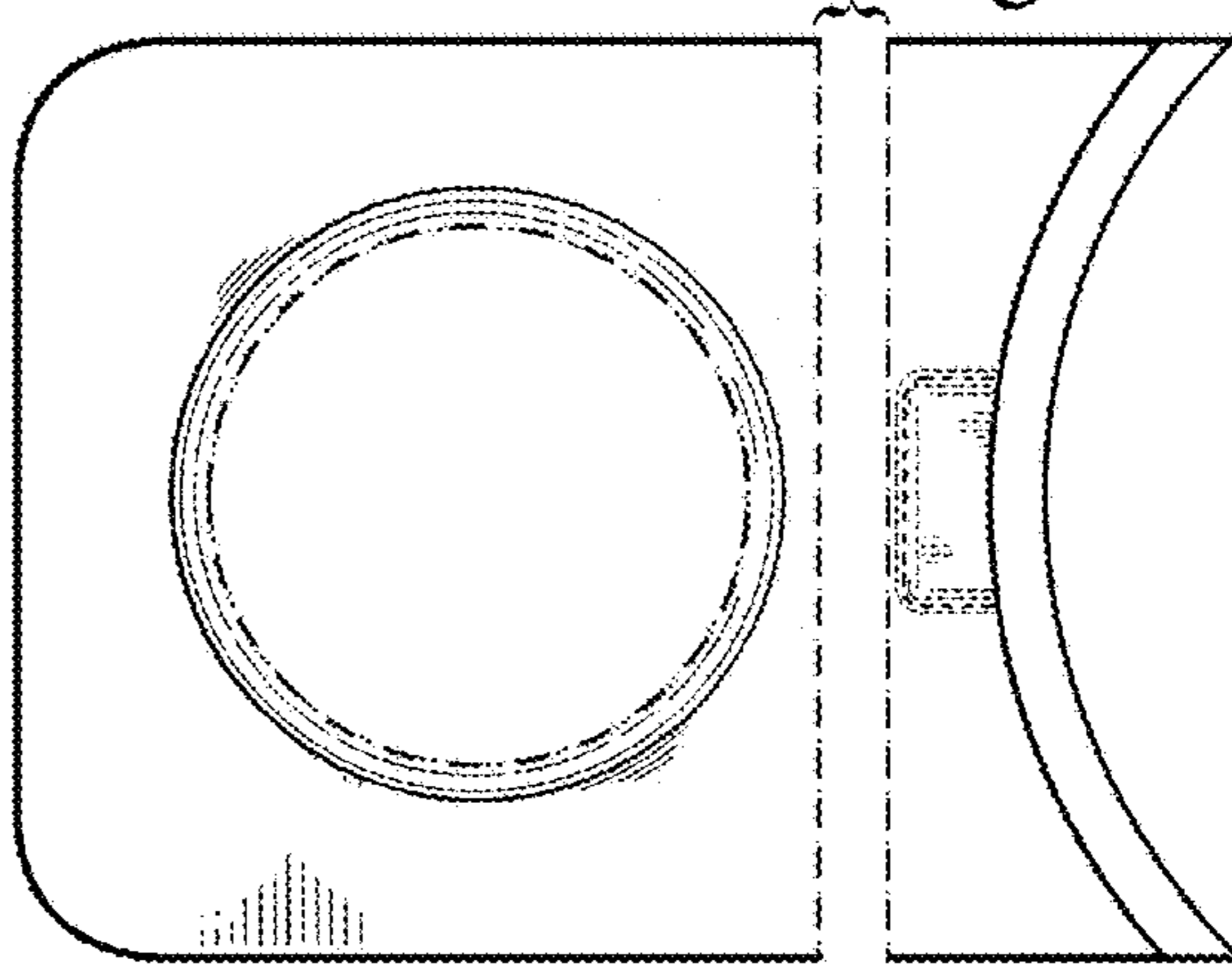


Fig. 16

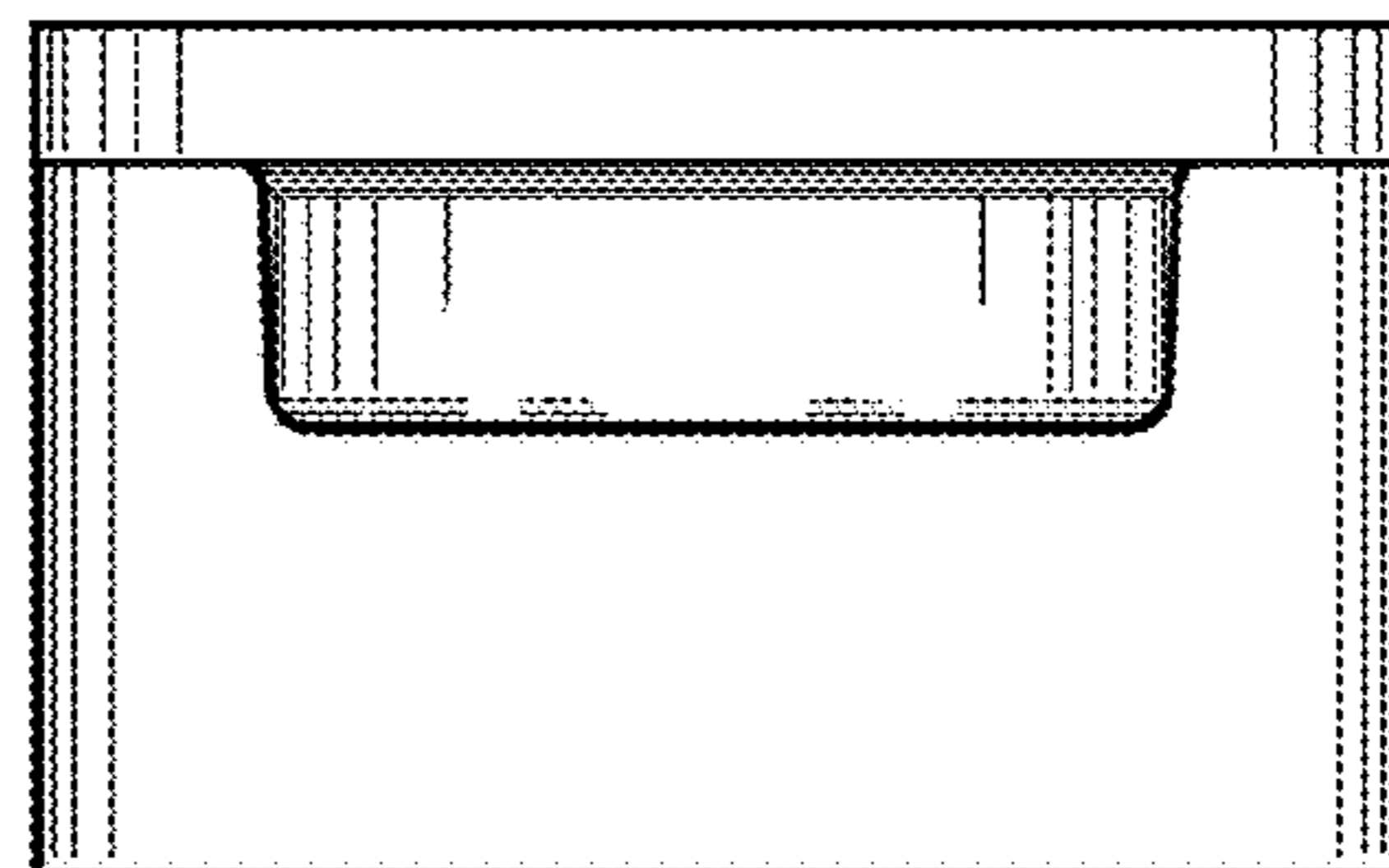


Fig. 17

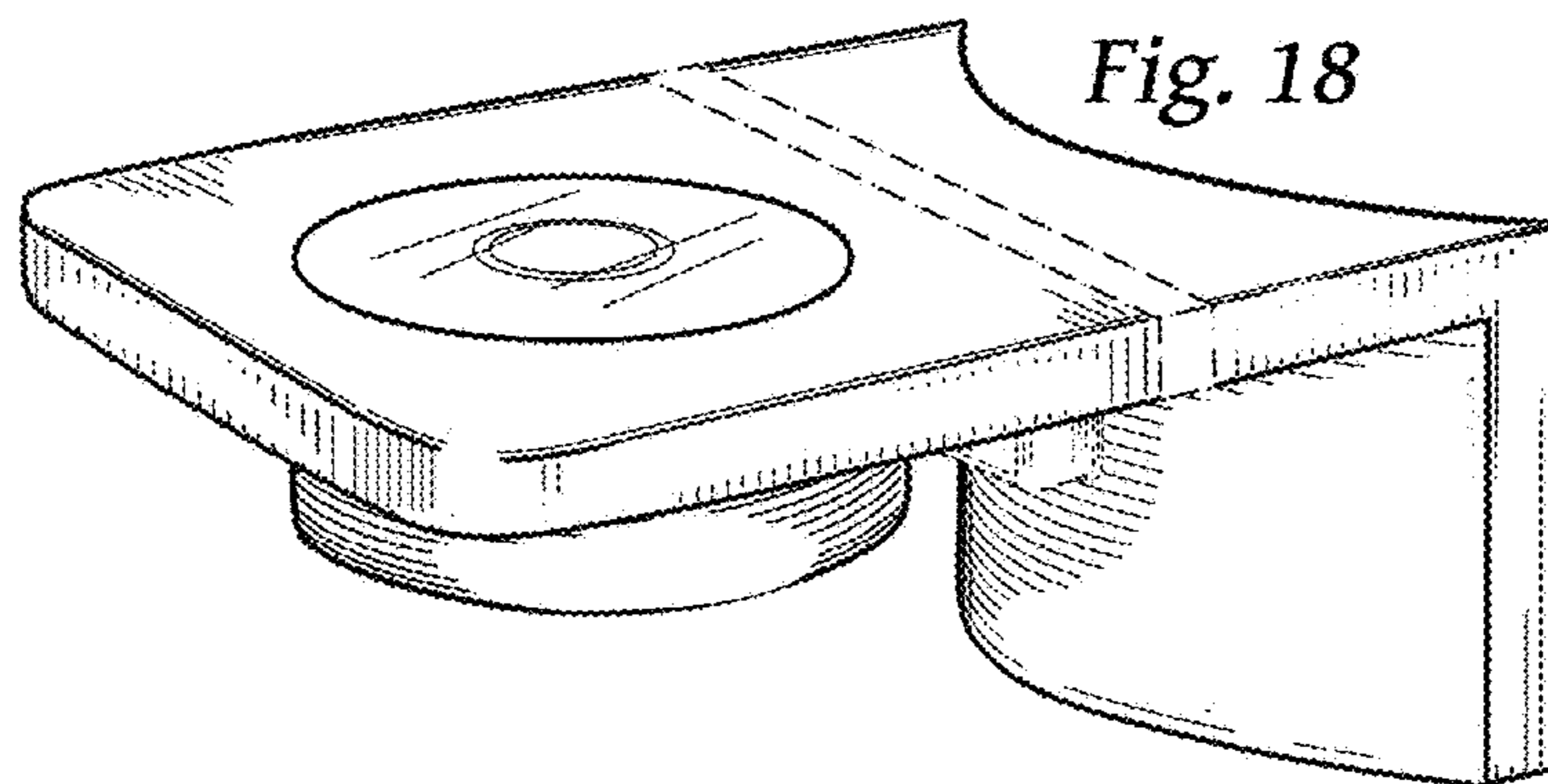


Fig. 18

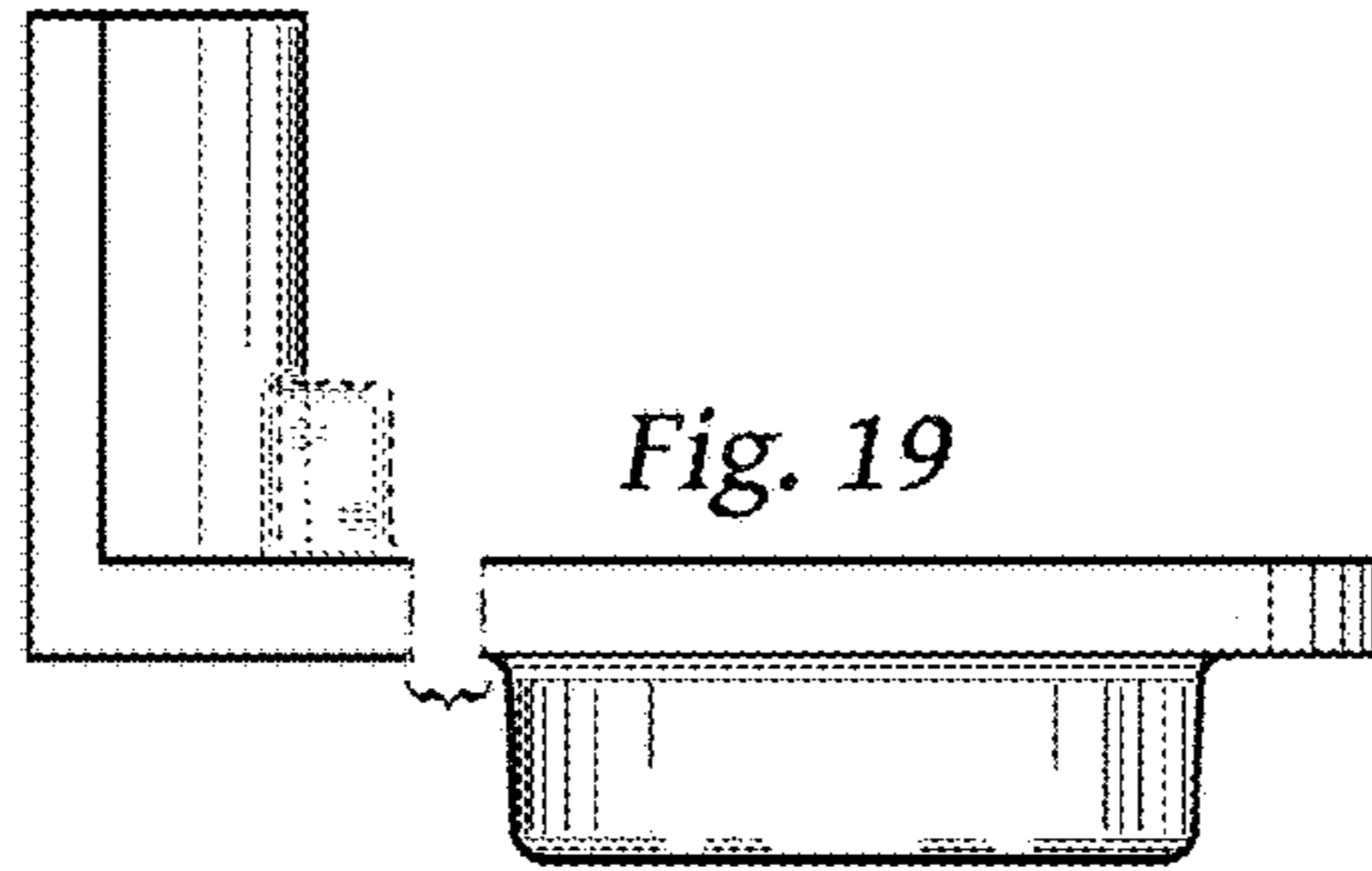


Fig. 19

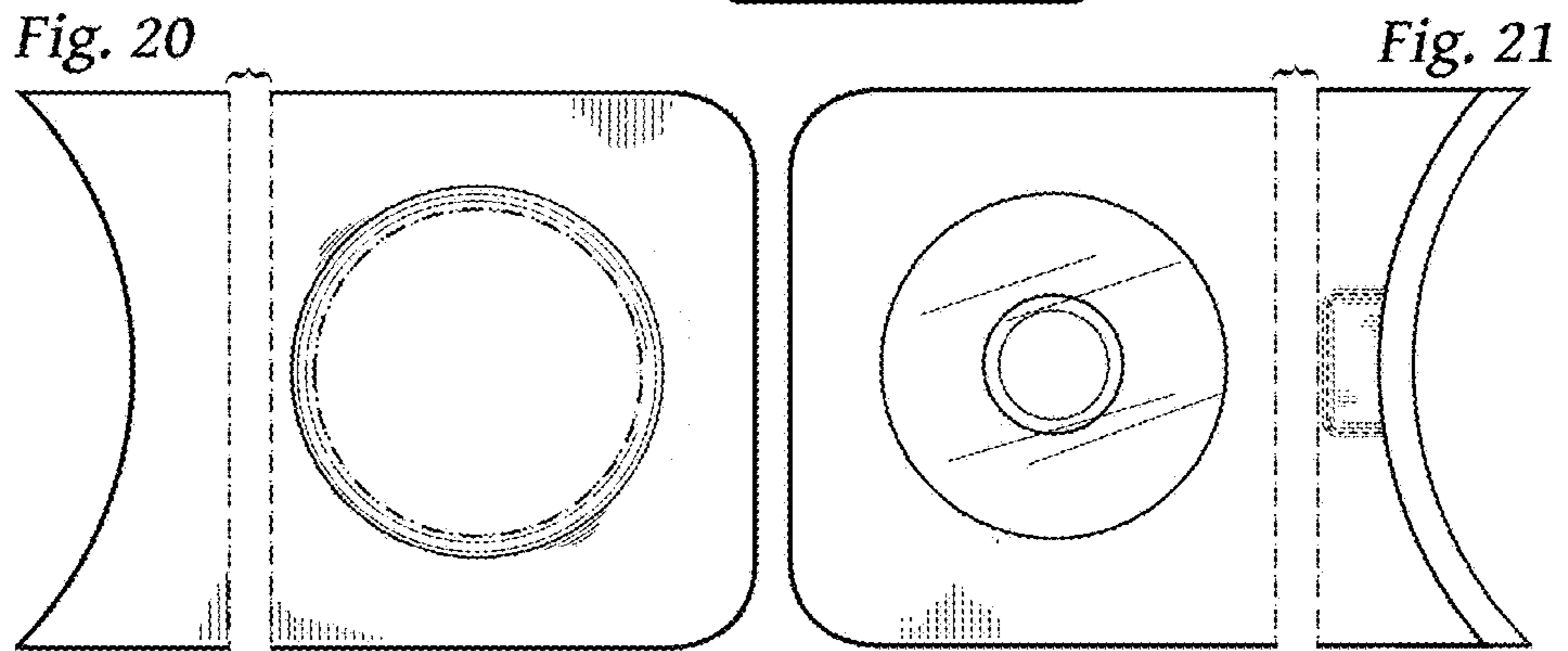


Fig. 20

Fig. 21

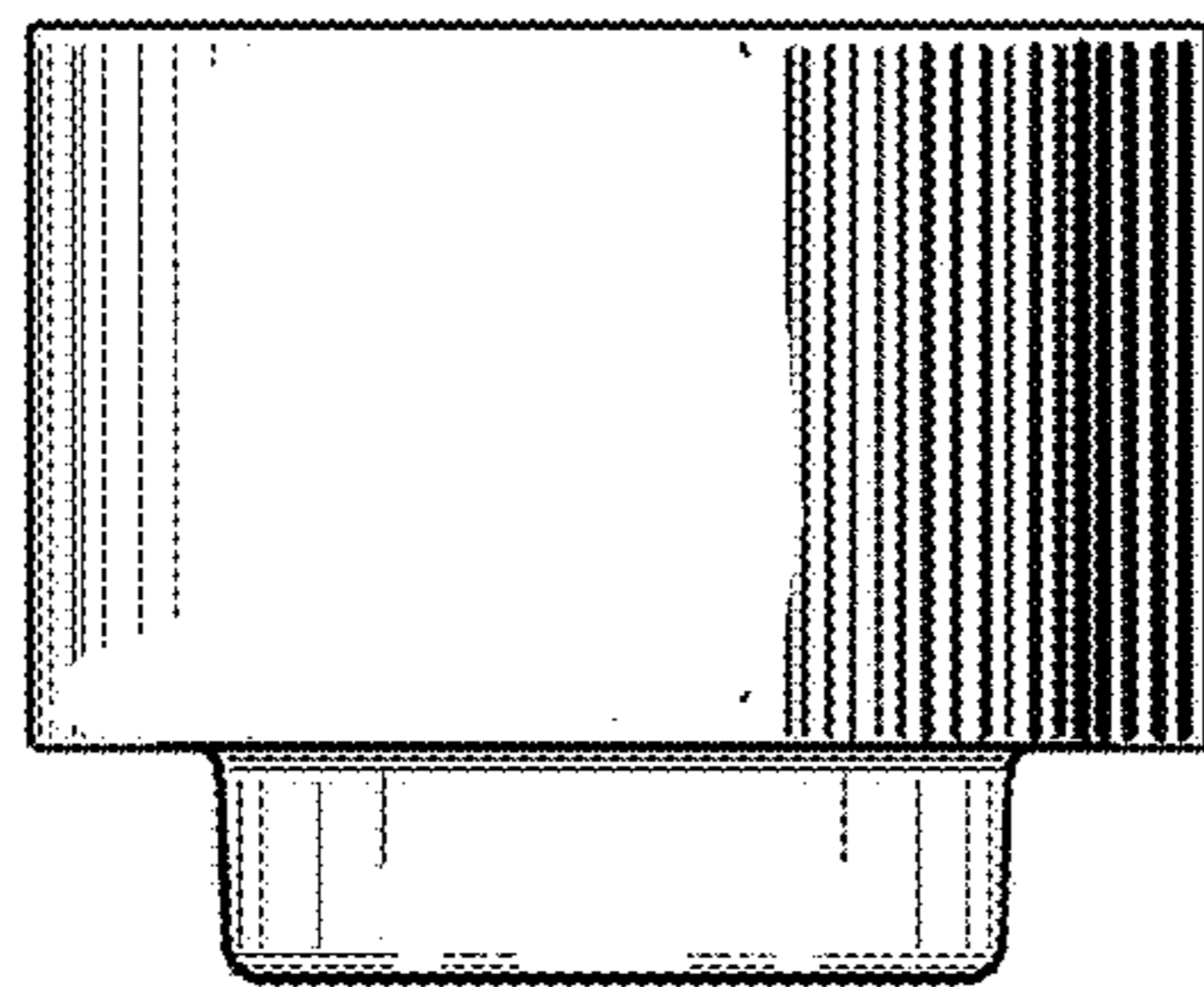


Fig. 22

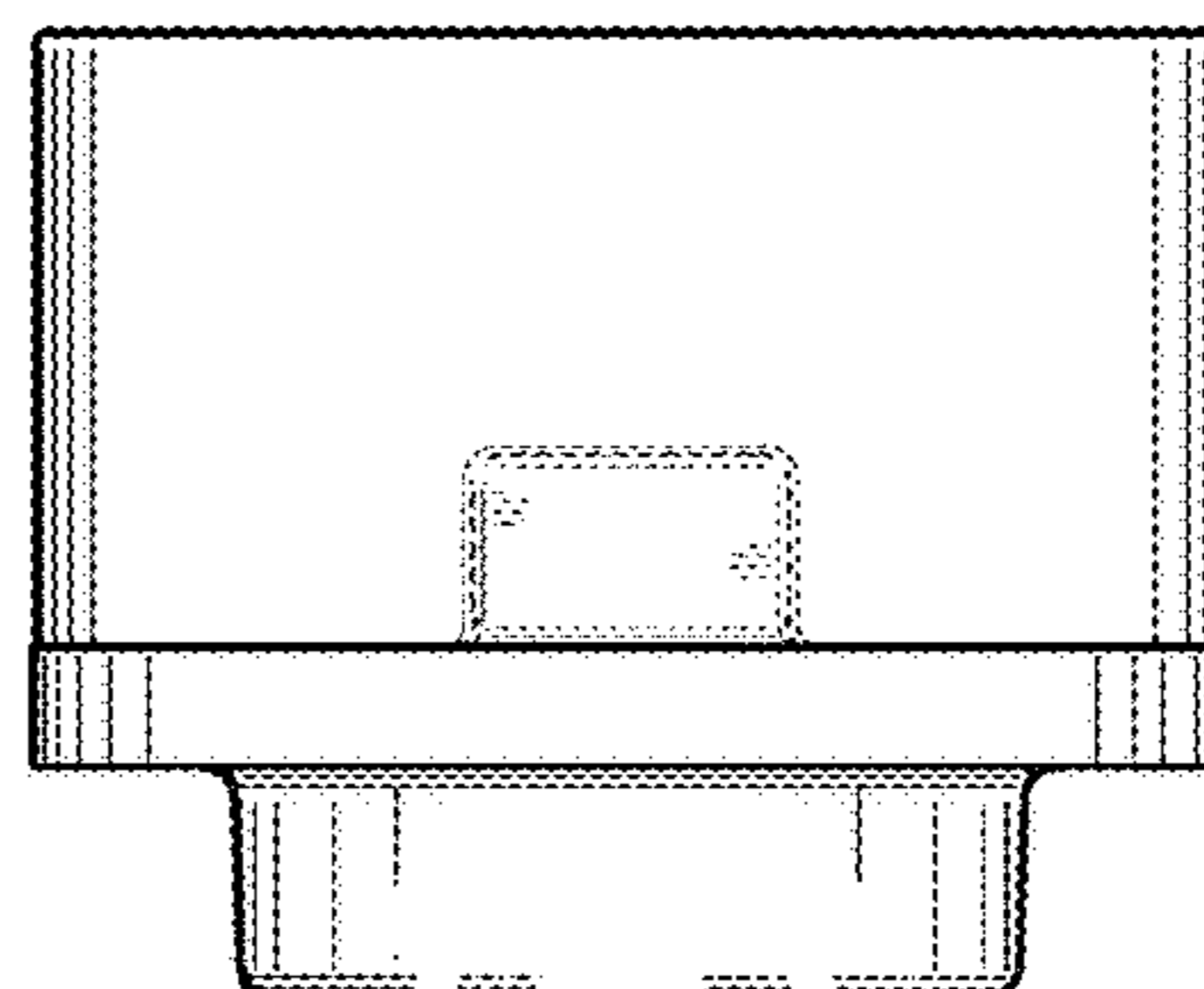


Fig. 23

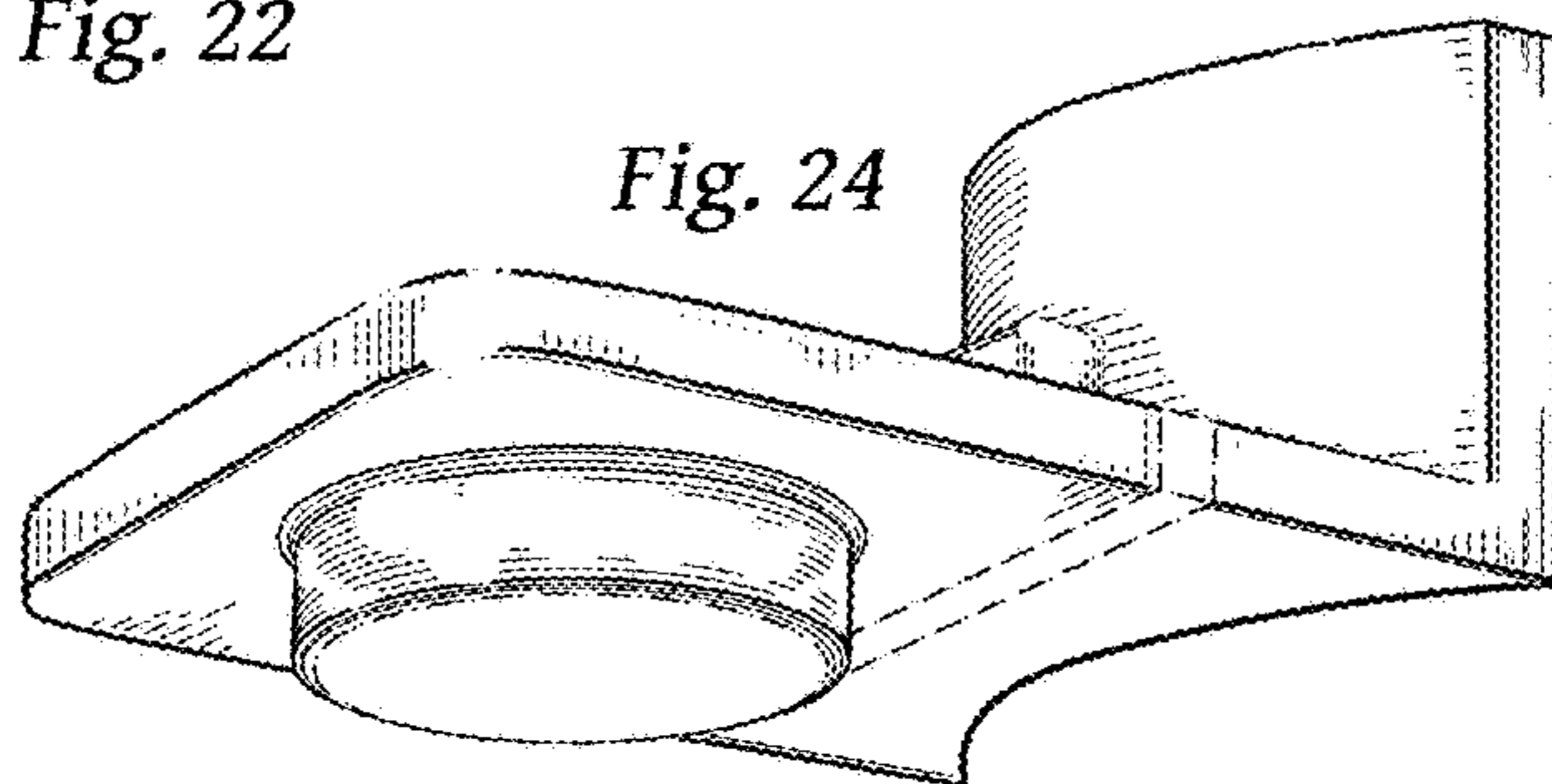


Fig. 24