



US00D805409S

(12) **United States Design Patent** (10) **Patent No.:** **US D805,409 S**
Matsumiya et al. (45) **Date of Patent:** **** Dec. 19, 2017**

(54) **OPTICAL MEASUREMENT HEAD FOR COORDINATE MEASUREMENT**

FOREIGN PATENT DOCUMENTS

(71) Applicant: **MITUTOYO CORPORATION**,
Kawasaki, Kanagawa (JP)

JP 1413410 5/2011
JP 1472126 6/2013

(72) Inventors: **Sadayuki Matsumiya**, Sagamihara (JP); **Yu Sugai**, Hadano (JP); **Shigeru Ohtani**, Kawasaki (JP); **Kentaro Nemoto**, Kawasaki (JP); **Toshihisa Takai**, Kawasaki (JP); **Osamu Saito**, Yokohama (JP)

OTHER PUBLICATIONS

Nikon Metrology. "InSight L100: The Ultimate CMM laser scanner combining productivity and accuracy." 2015.
Nikon Metrology. "LC15Dx: High accuracy with high resolution." 2014.
Blum Foreign Catalog No. 074. "Excellent Measurement Technology, Measuring Head TC50/TC52, HD2300565700." 2011.

(73) Assignee: **MITUTOYO CORPORATION**,
Kawasaki-shi (JP)

* cited by examiner

(**) Term: **15 Years**

Primary Examiner — Antoine Duval Davis

(21) Appl. No.: **29/567,959**

(74) *Attorney, Agent, or Firm* — Oliff PLC

(22) Filed: **Jun. 14, 2016**

(30) **Foreign Application Priority Data**

(57) **CLAIM**

Dec. 17, 2015 (JP) 2015-028108

The ornamental design for an optical measurement head for coordinate measurement, as shown and described.

(51) **LOC (10) Cl.** **10-04**

(52) **U.S. Cl.**
USPC **D10/62; D10/63**

(58) **Field of Classification Search**
USPC D10/62, 63
CPC .. G01B 21/047; G01B 21/042; G01B 21/145;
G01B 5/012; G01B 5/016; G01B 5/008;
G01B 11/005; G01B 11/03; G01B 5/004;
G05B 19/00; G05B 19/407; G05B
2219/36452; G05B 2219/36479; G05B
2219/37193; G05B 2219/3744

DESCRIPTION

See application file for complete search history.

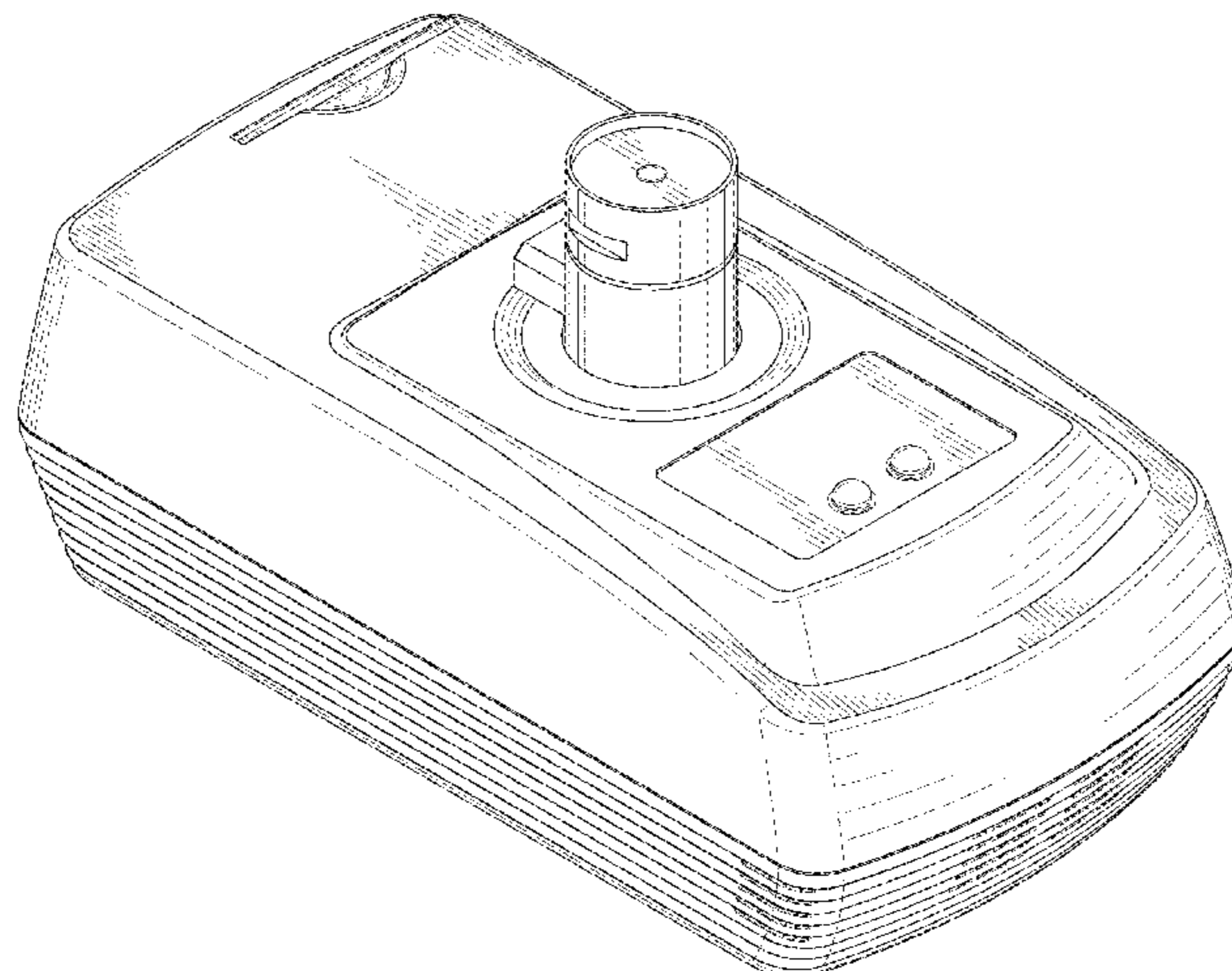
FIG. 1 is a front, top, right-side perspective view of an optical measurement head for coordinate measurement;
FIG. 2 is a front view thereof;
FIG. 3 is a top view thereof;
FIG. 4 is a right-side view thereof;
FIG. 5 is a left-side view thereof;
FIG. 6 is a rear view thereof;
FIG. 7 is a bottom view thereof; and,
FIG. 8 is a rear, top, left-side perspective view thereof.
The broken lines depict environmental subject matter only and form no part of the claimed design.

(56) **References Cited**

U.S. PATENT DOCUMENTS

D685,275 S 7/2013 Matuschek et al.
D709,777 S 7/2014 Matsumiya et al.
9,689,663 B2* 6/2017 Nagataki G01B 11/007

1 Claim, 8 Drawing Sheets



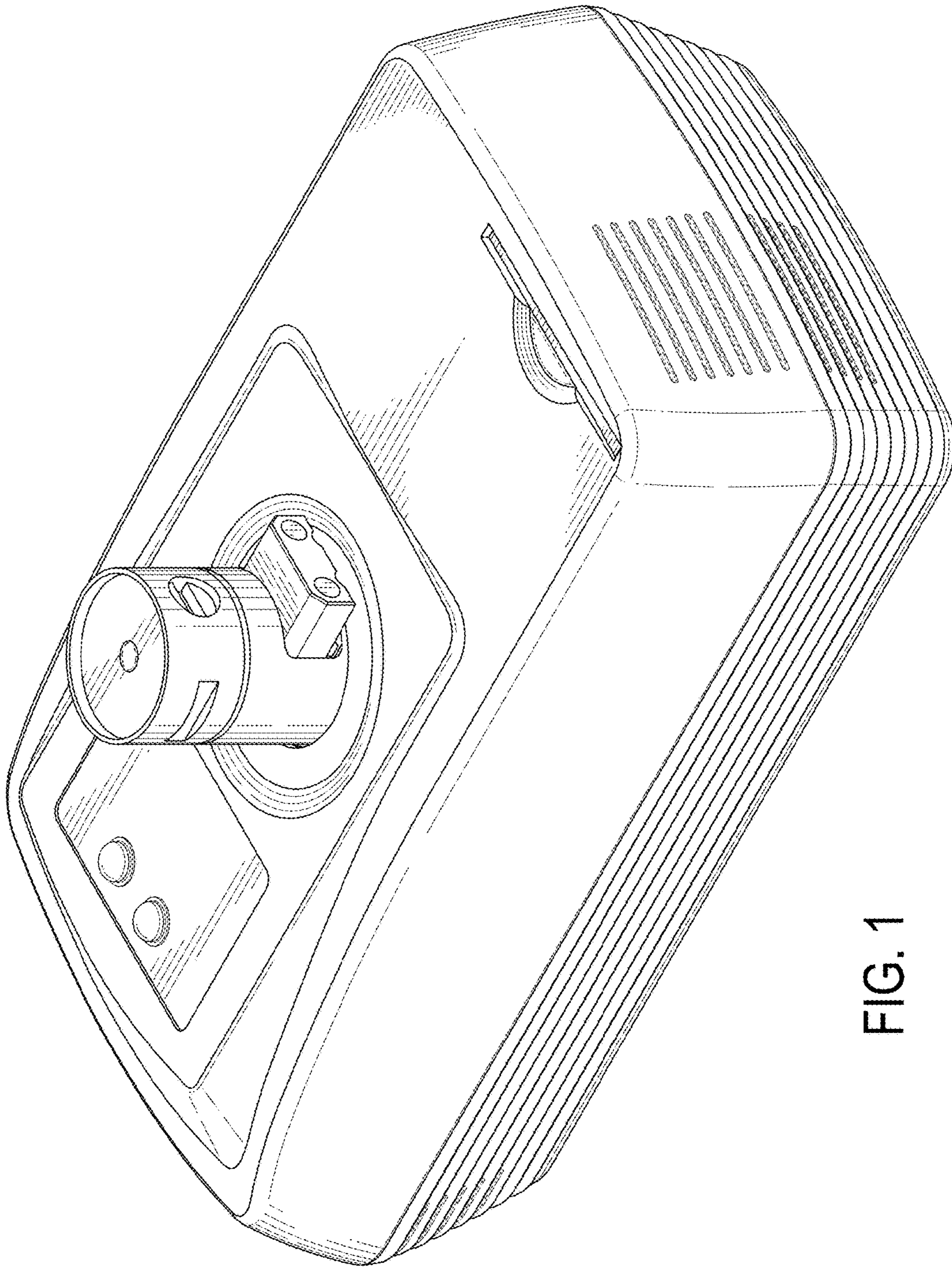


FIG. 1

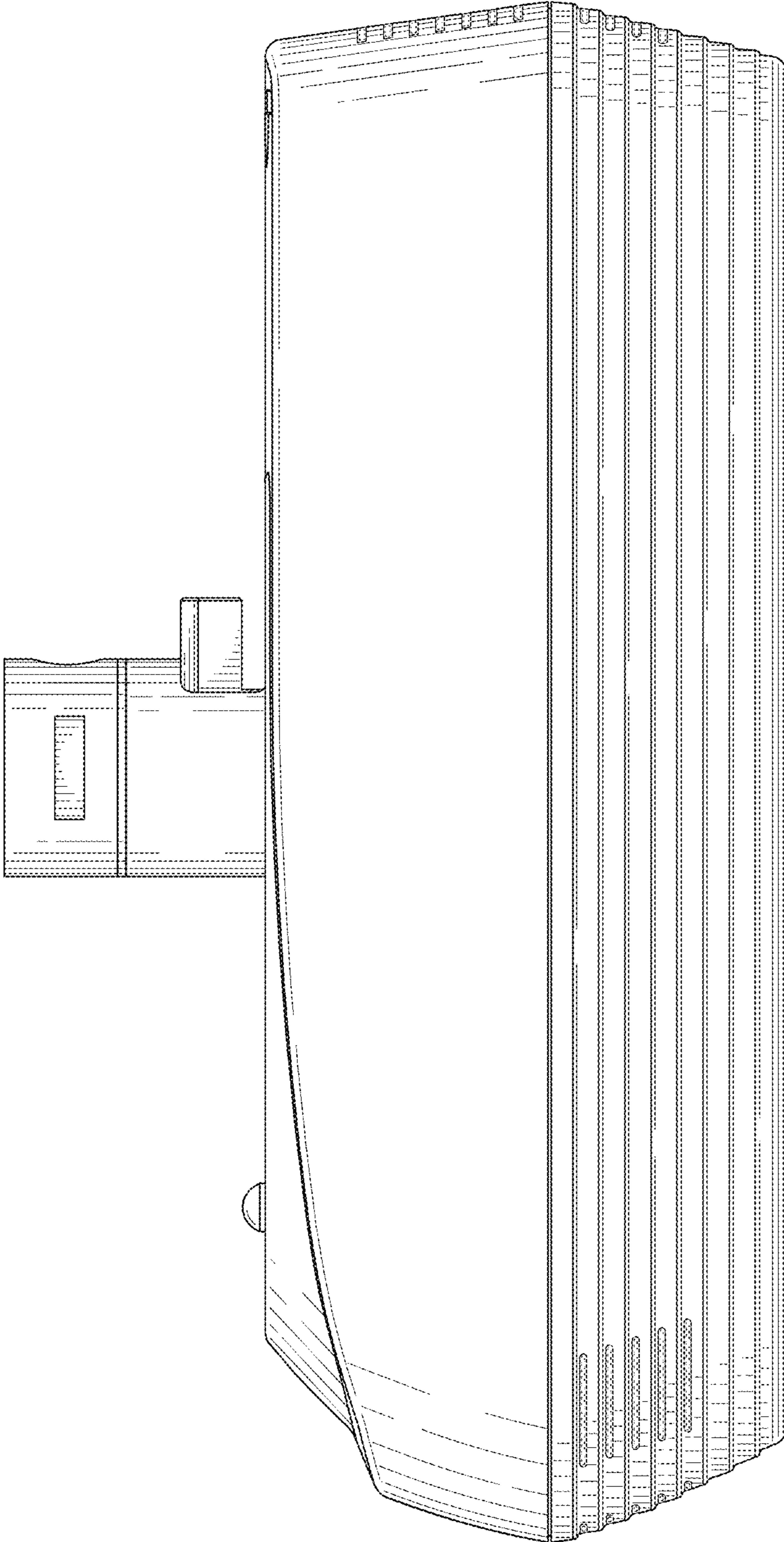


FIG. 2

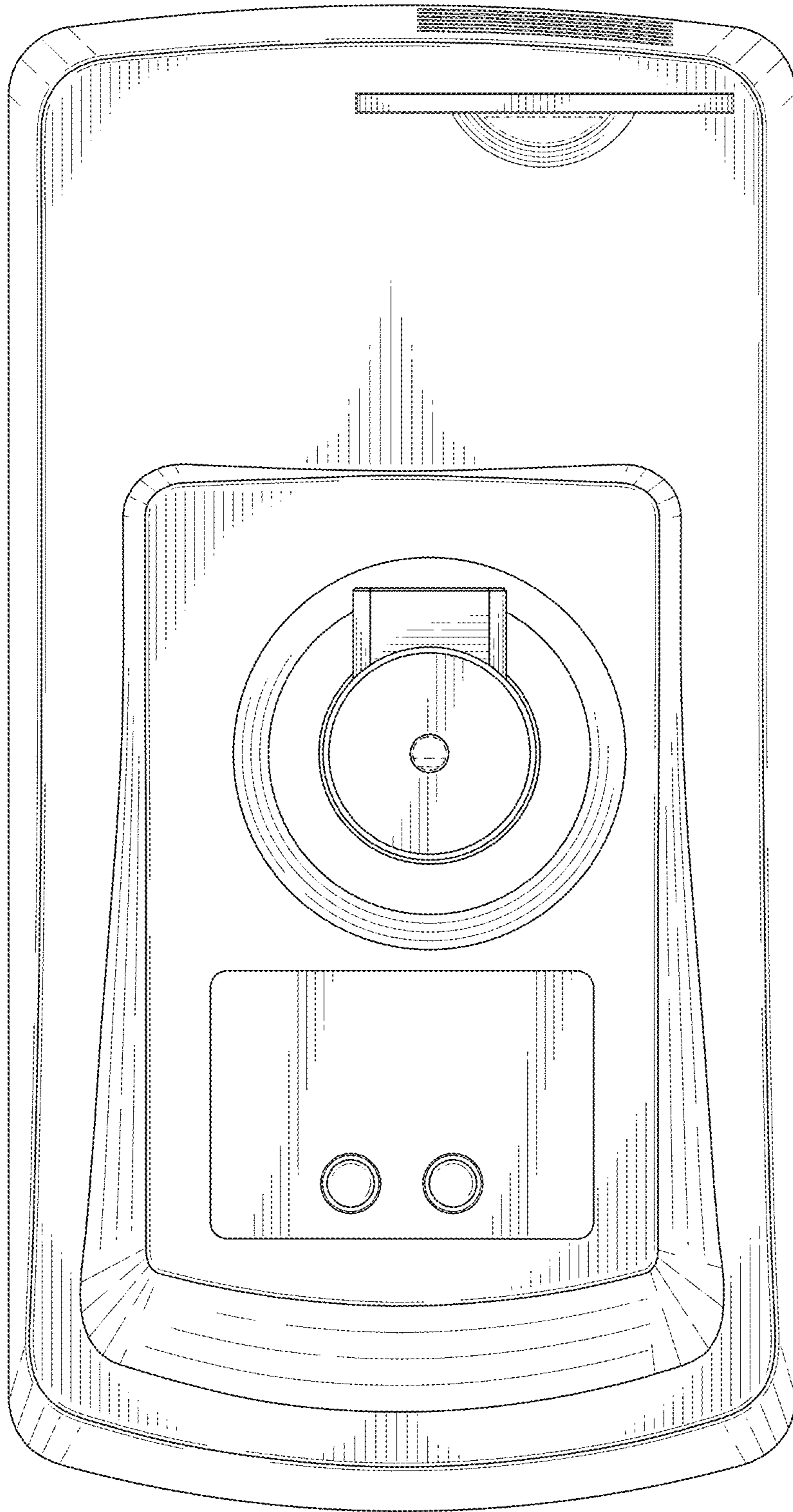


FIG. 3

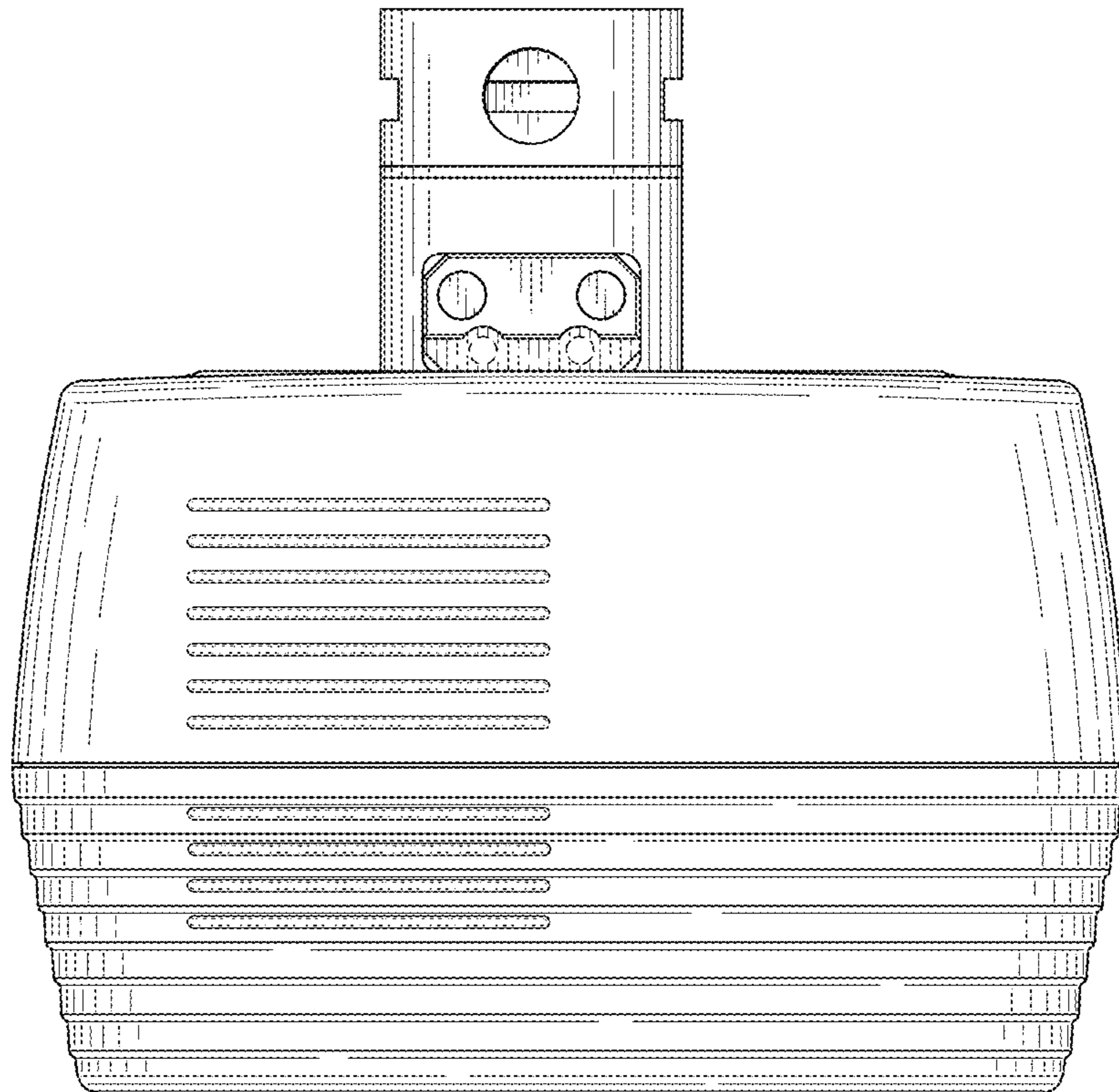


FIG. 4

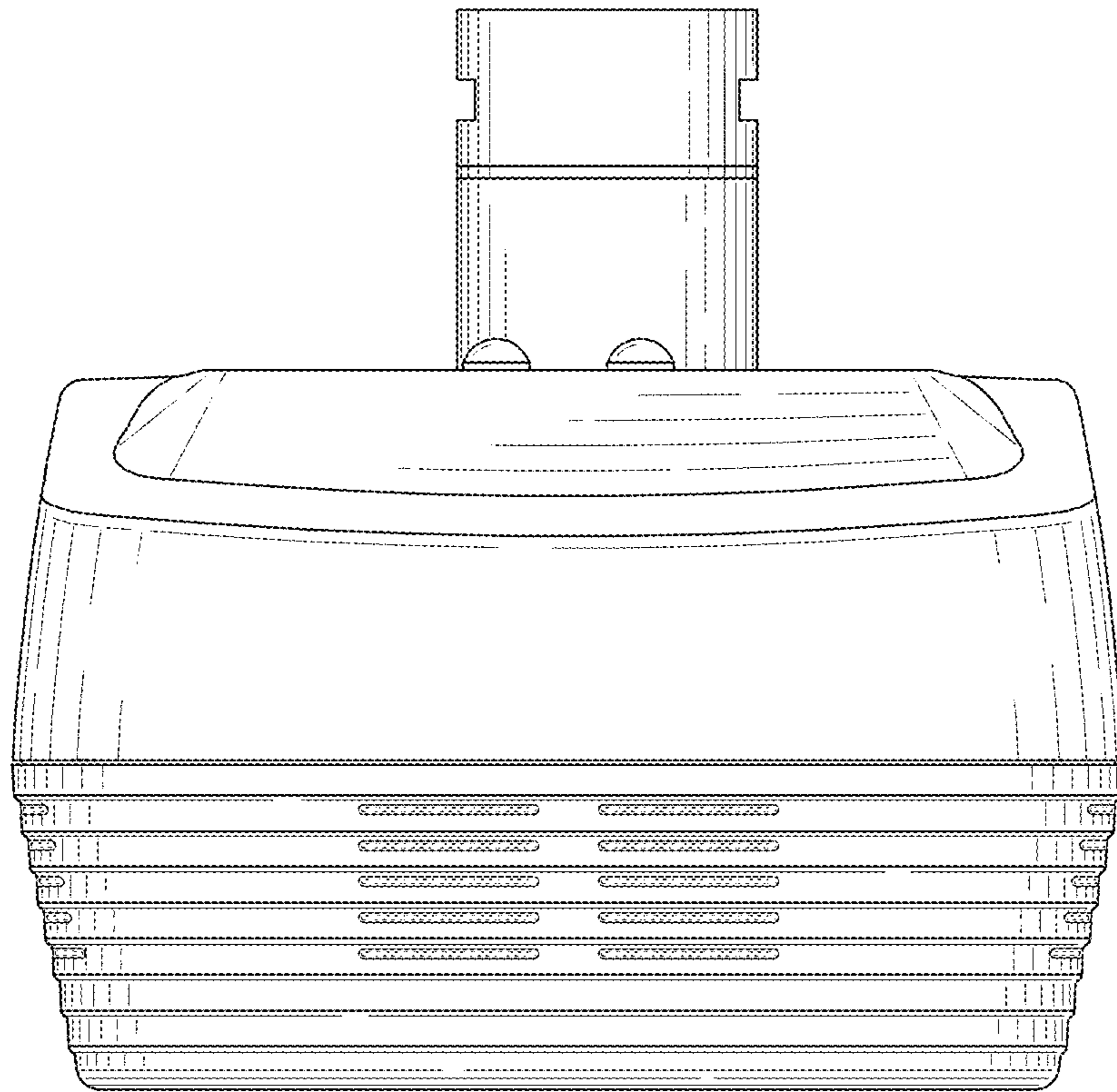


FIG. 5

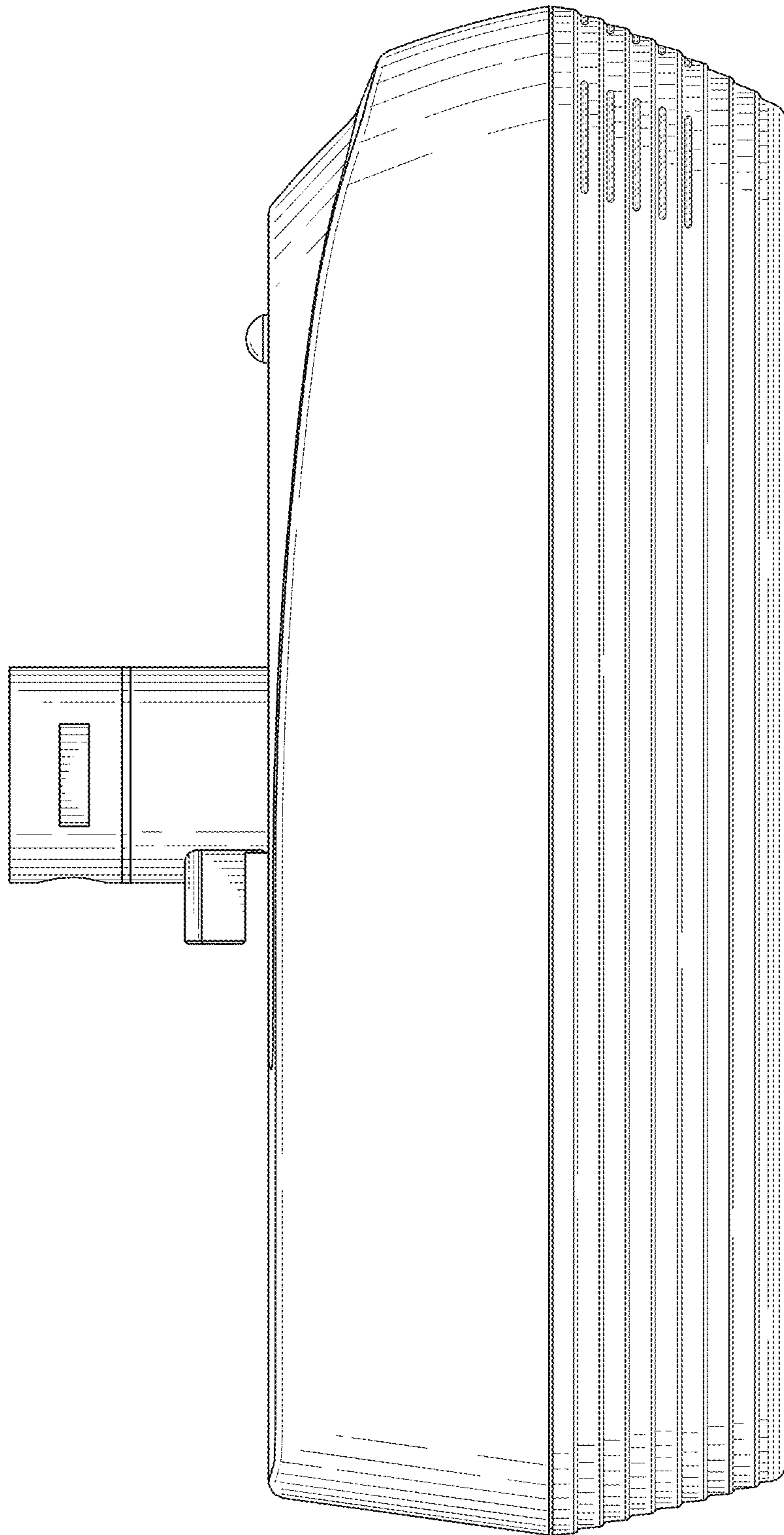


FIG. 6

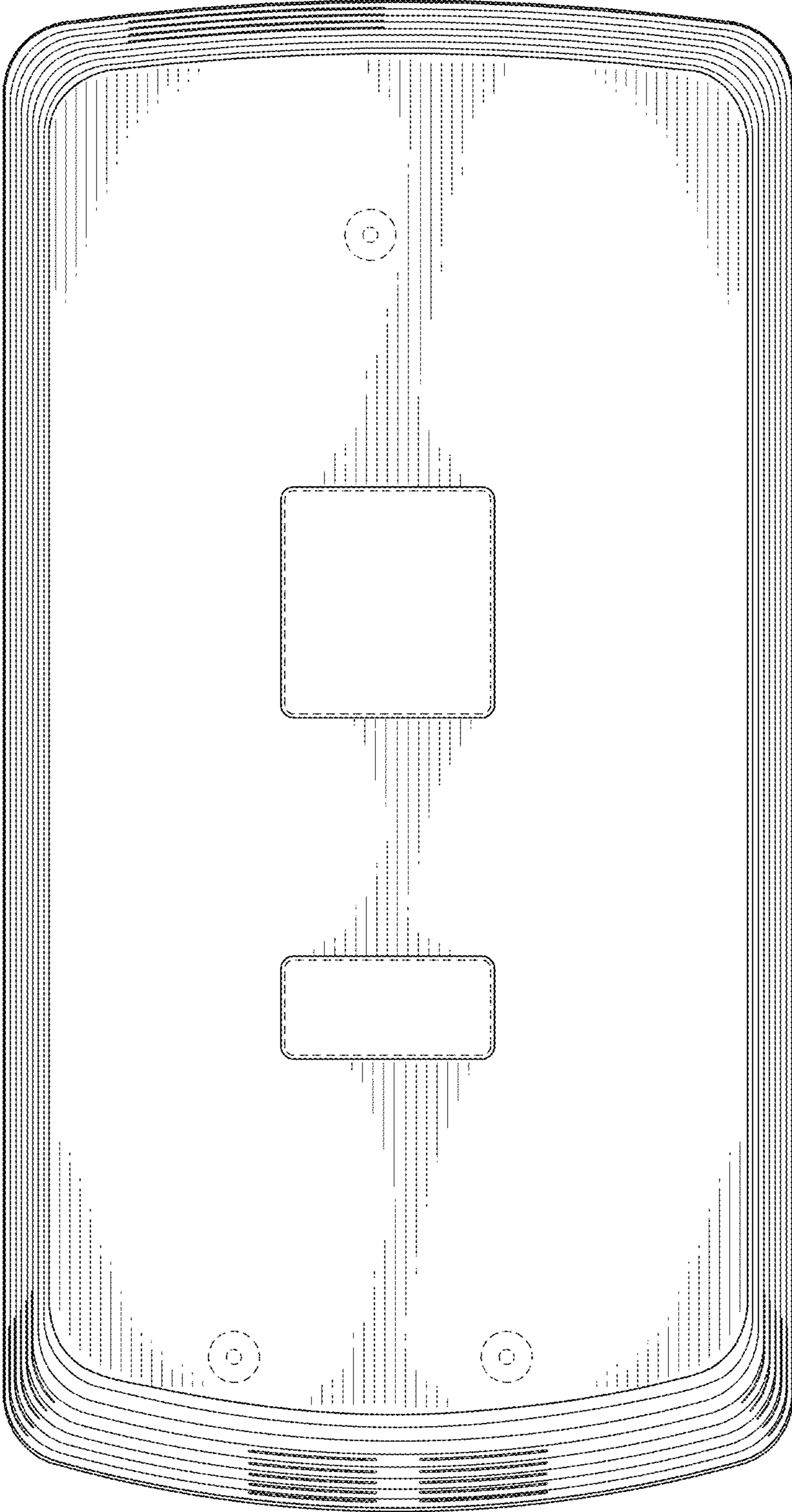


FIG. 7

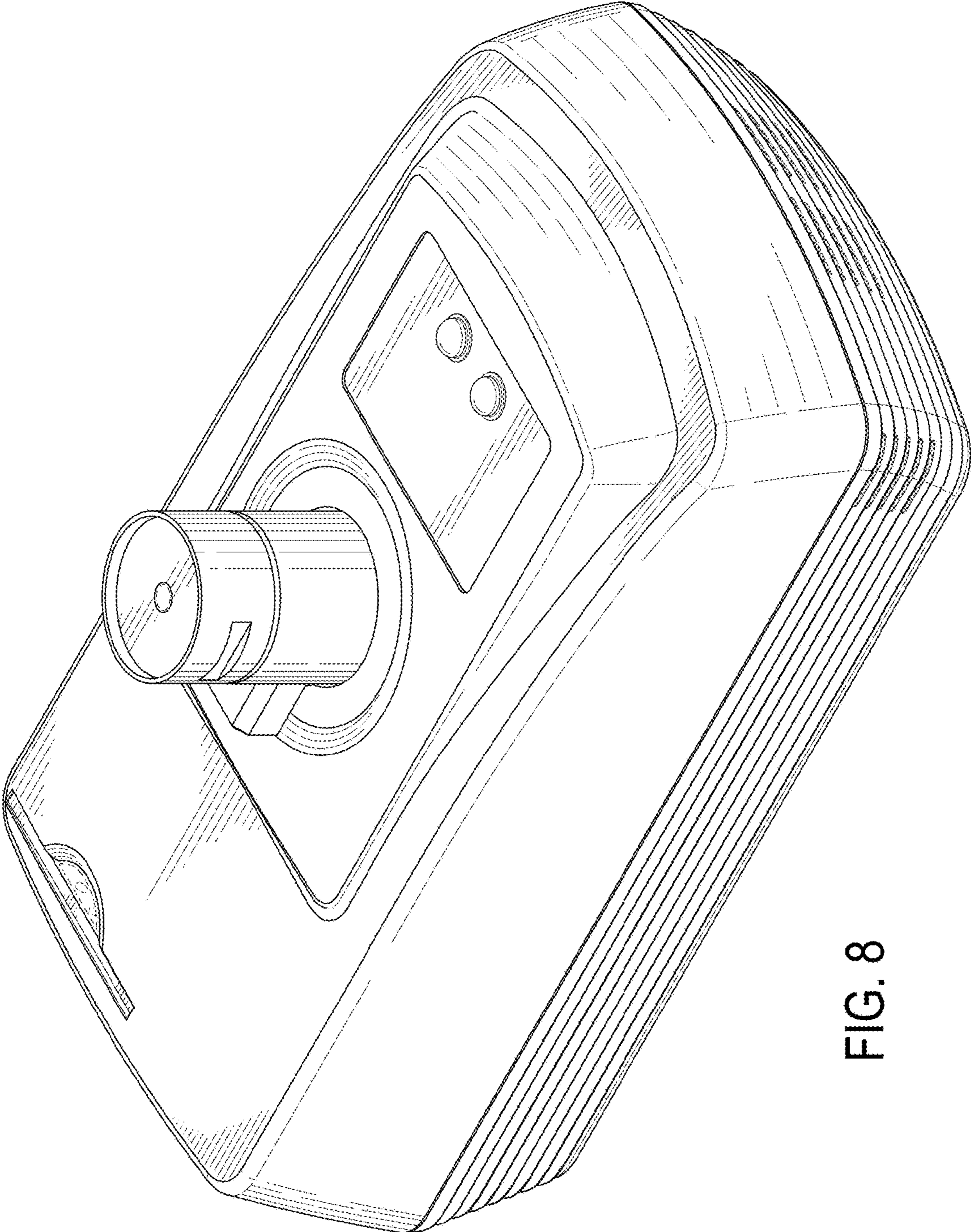


FIG. 8